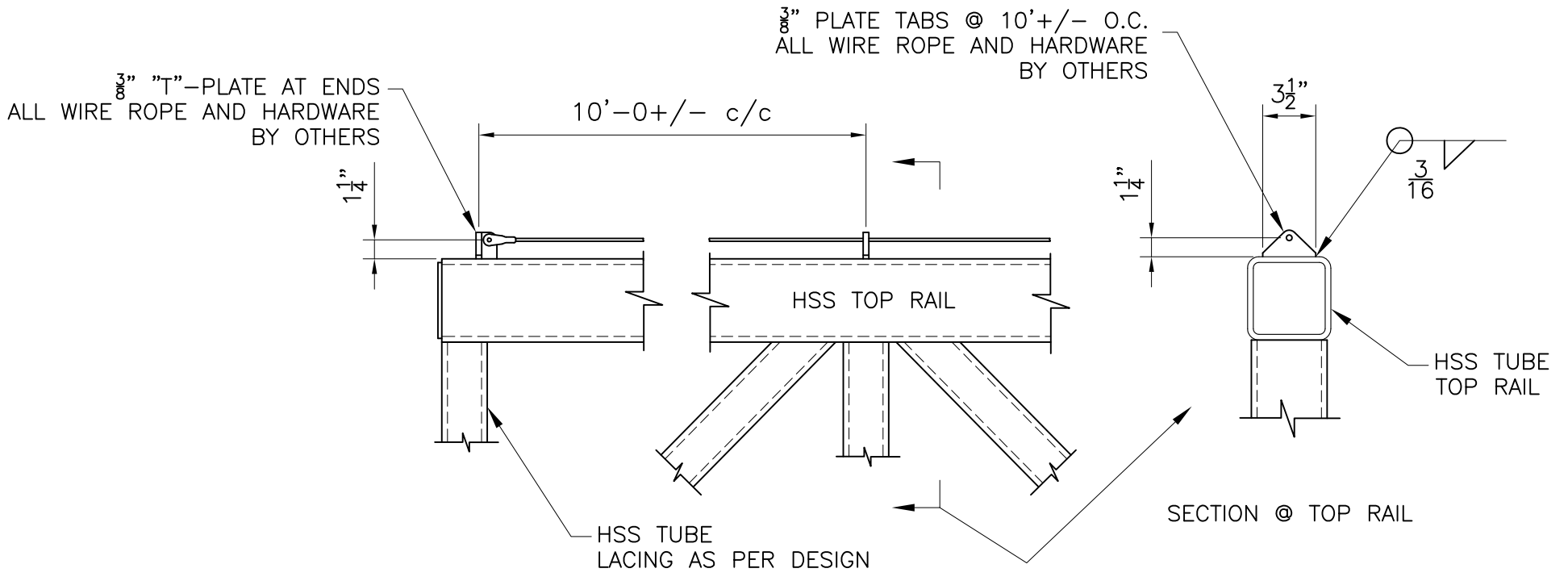



REVDATE	REV#	REMARKS



## PROPOSED SEAGULL DETERRENT @ NEW CATWALKS

TYPL FULL LENGTH OF CATWALKS  
ALONG BOTH SIDES OF TOP RAIL TUBES  
WIRE ROPE AND HARDWARE BY OTHERS

**FOR APPROVAL**

 <b>NEWPORT INDUSTRIAL FABRICATION, INC.</b>	445 Elm Street P.O. Box D Newport, ME 04953	DWG BY: RDL DATE: 10-29-14	JOB: OCEAN GATEWAY PIER 2 CATWALKS, PORTLAND ME OWNER: CITY OF PORTLAND	NIF WO NO <b>14210</b>
	Phone [207]368-4344 Fax [207]368-5552 www.nif-inc.com	CHK BY: DATE:	TITLE: PROPOSED SEAGULL DETERRENT CONTRACTOR: PROCK MARINE	PART MARK <b>SK-100</b>