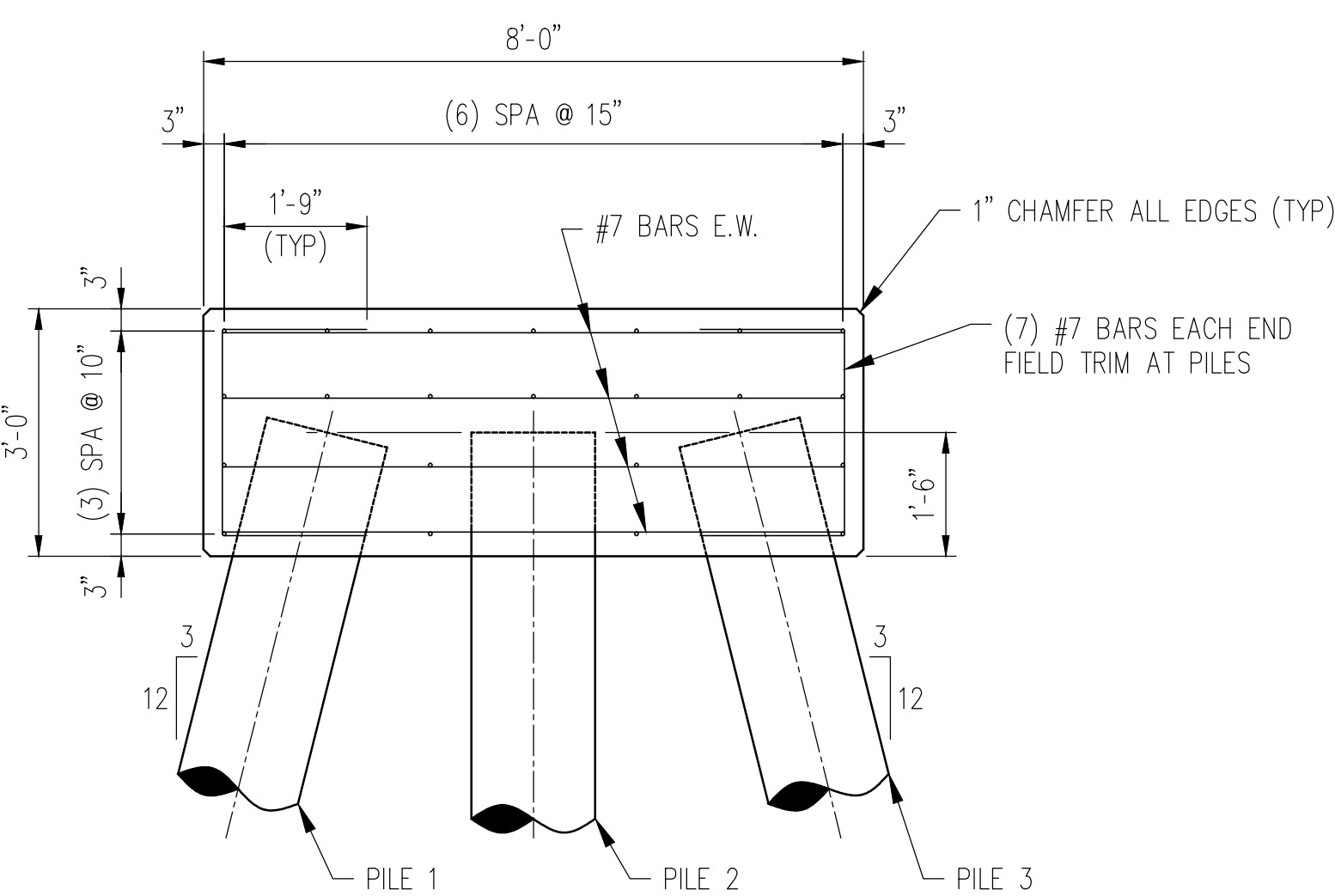
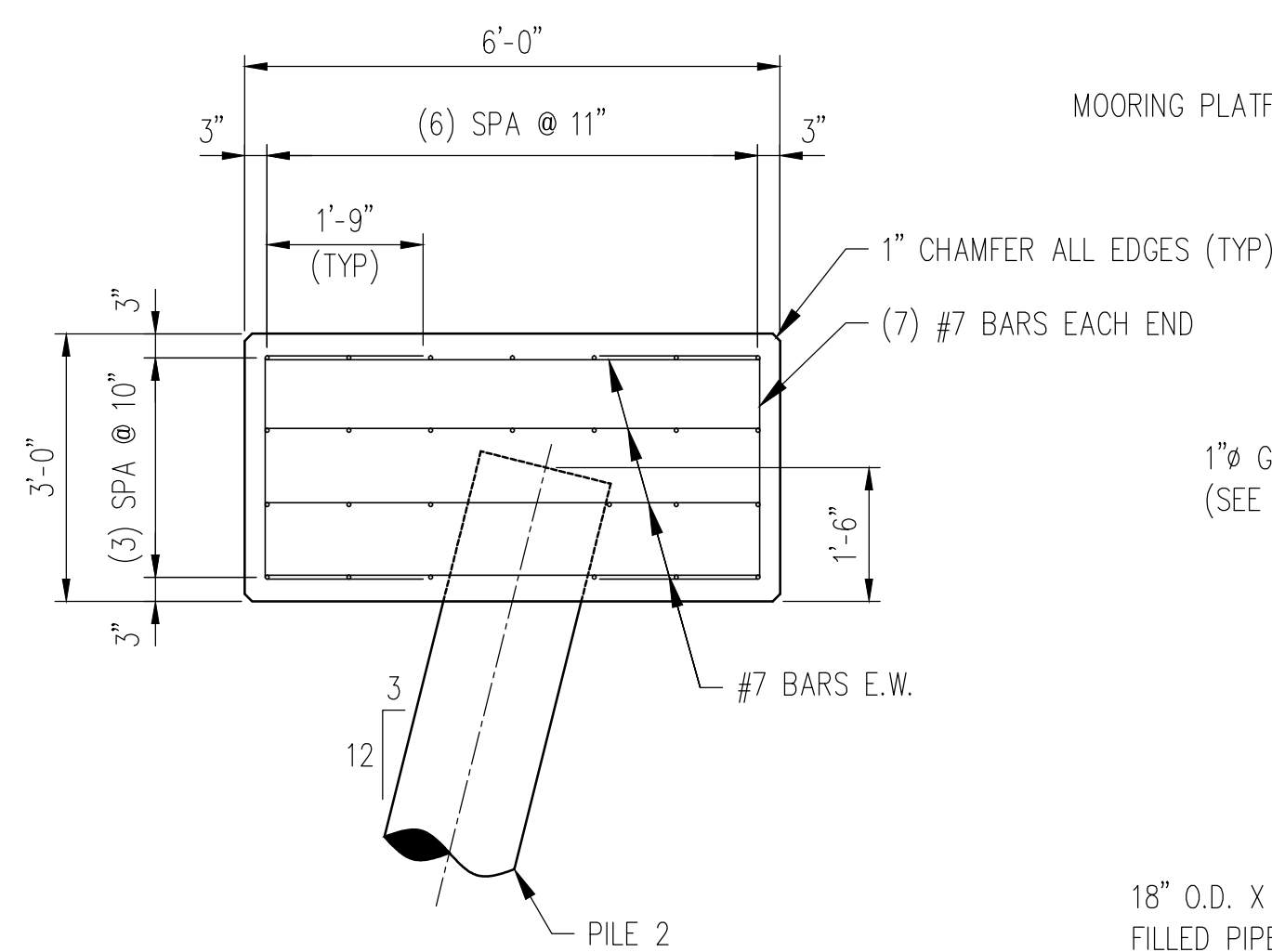


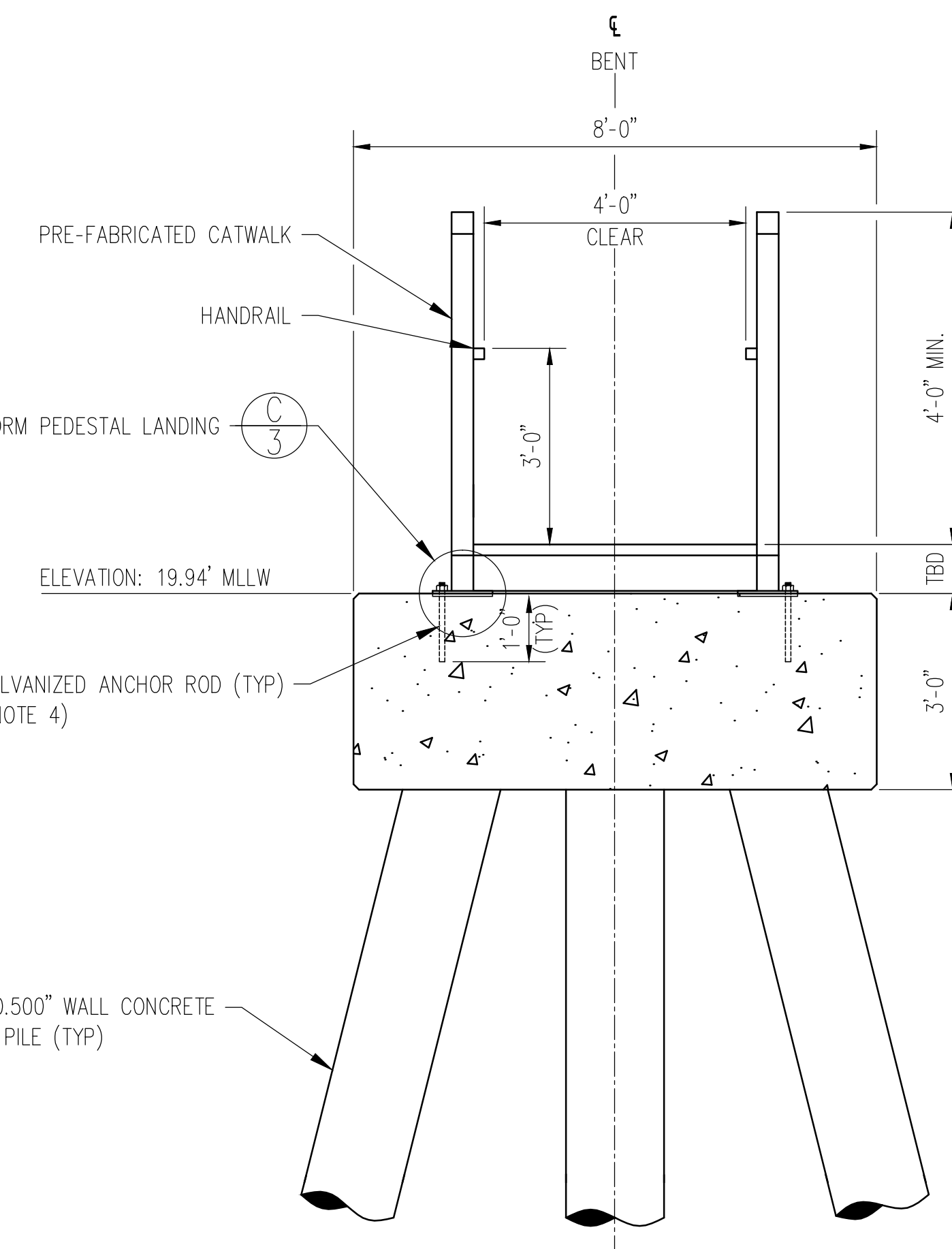
A PILE CAP PLAN VIEW AT ELEVATION 16.94' MLLW
 $\frac{1}{2}'' = 1'-0''$



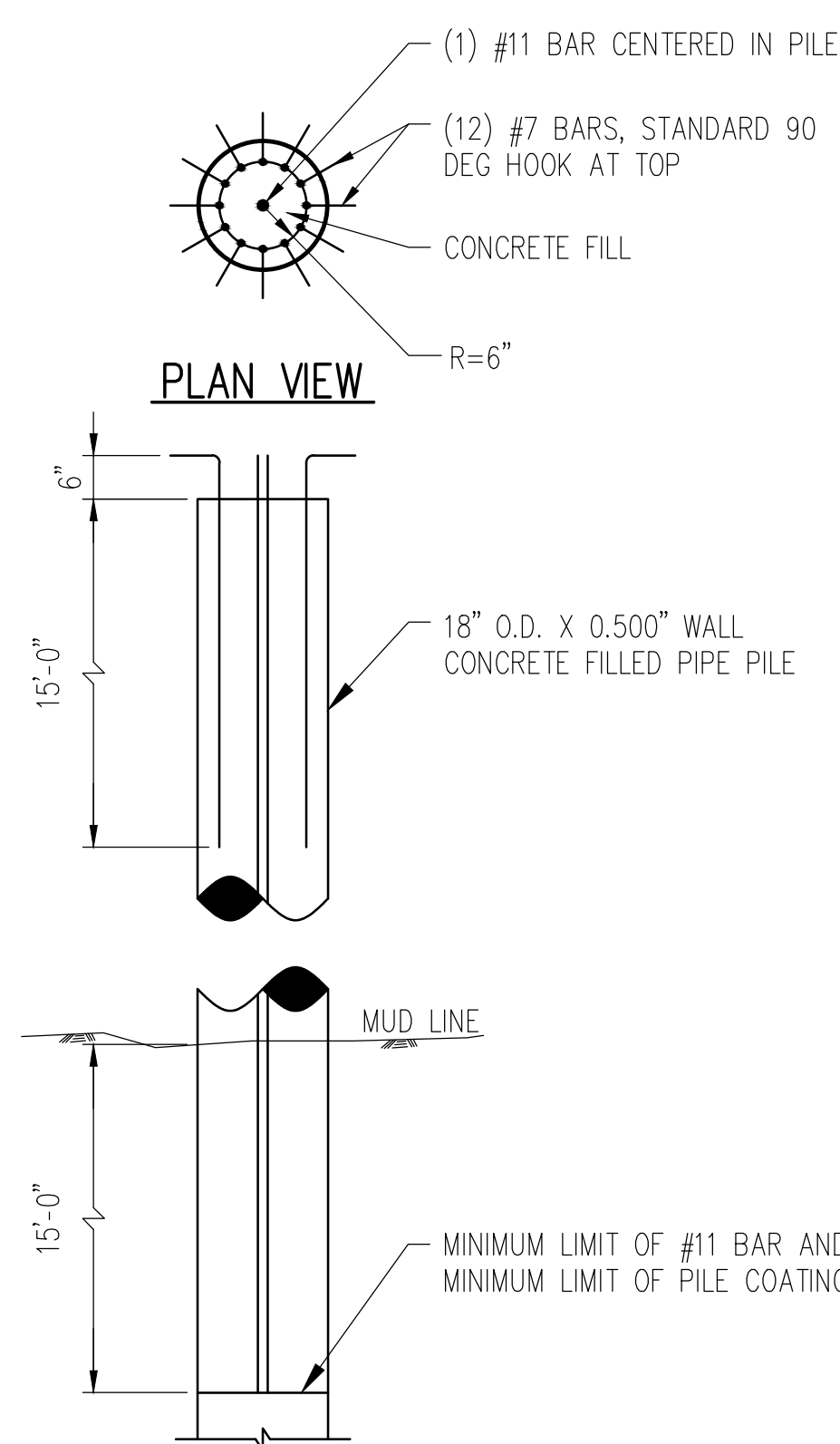
SECTION A-A
 $\frac{1}{2}'' = 1'-0''$



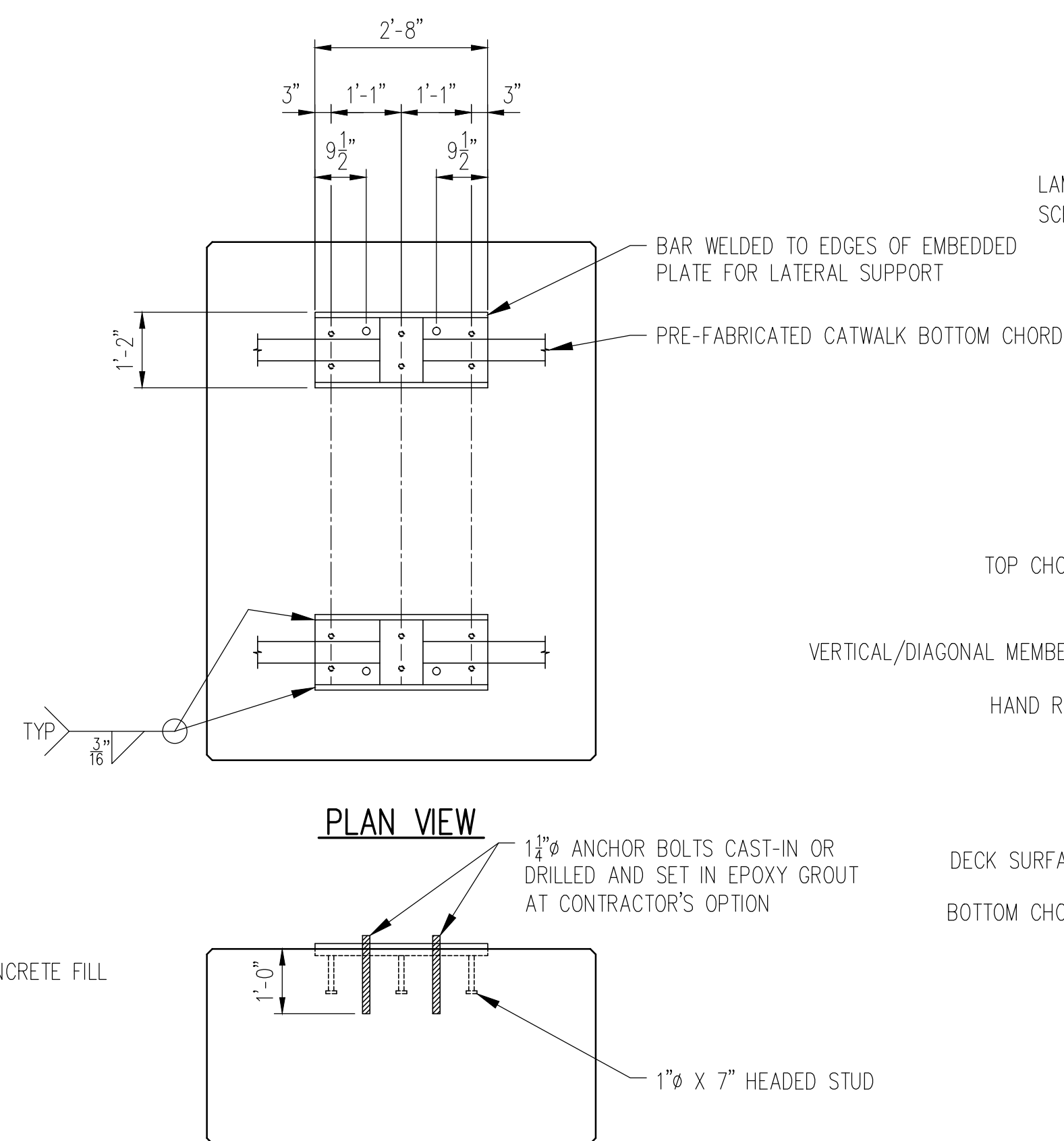
SECTION B-B
 $\frac{1}{2}'' = 1'-0''$



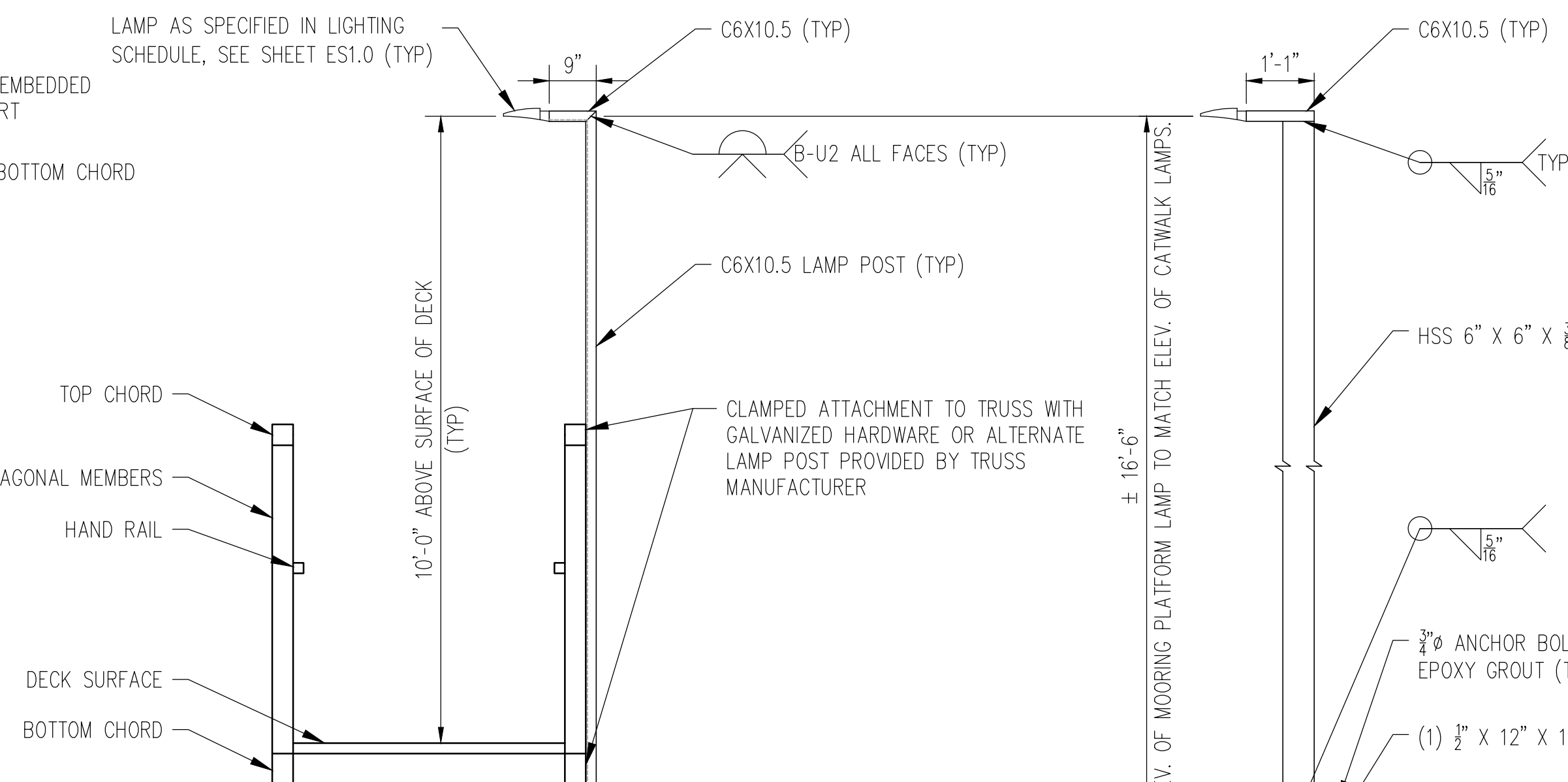
BENT CROSS SECTION
 $\frac{1}{2}'' = 1'-0''$



B PILE DETAILS
 $1'' = 1'-0''$



C EMBEDDED BASE PLATE DETAIL
 $1'' = 1'-0''$



D CATWALK LAMP POLE DETAIL
 $\frac{1}{2}'' = 1'-0''$

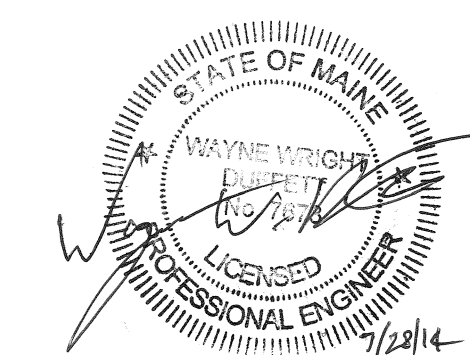
PLAN VIEW

ELEVATION VIEW

E MOORING PLATFORM LAMP POLE DETAIL
 $\frac{1}{2}'' = 1'-0''$

NOTES

- ALL DIMENSIONS FOR EMBEDDED BASE PLATE SUBJECT TO CHANGE BASED ON DIMENSIONS OF SOLE PLATE FURNISHED BY PREFABRICATED CATWALK MANUFACTURER.
- ALL STEEL SHALL BE GALVANIZED.



CITY OF PORTLAND, MAINE
 PUBLIC BUILDINGS DIVISION
 OCEAN GATEWAY PIER 2
 MOORING PLATFORM CATWALK
 CONCRETE CAP, PILE, & LAMP POLE DETAILS

TEC ASSOCIATES CONSULTING ENGINEERS
 46 SAWYER STREET SOUTH PORTLAND, MAINE 04106

SCALE	AS SHOWN	DATE	25 JUNE 2014
JOB NUMBER	DRAWN BY	DESIGNED BY	DRAWING NO.
1301-6	NJR	NJR	3