

Will Conway

From: Greg Day <greg@gregdaylighting.com>
Sent: Monday, June 08, 2015 7:38 AM
To: Will Conway
Cc: James Gauthier; Patrick Costin; Mary Menard
Subject: Revised NEOCH exterior lighting
Attachments: TYPE C, C1.pdf; TYPE K.pdf; TYPE L.pdf; Type N.pdf

Hi Will,

Here is our revised exterior lighting concept narrative (updated cuts attached):

Fixture Type C1 – Intended to illuminate the entry canopy ceiling.

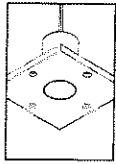
Fixture Type K – small LED downlight spots to provide isolated downlighting where needed.

Fixture Type L – linear LED downlight wall grazing system intended to be installed just above the whale mural where there is a second floor.

Fixture Type N – a small step light to be embedded in vertical bollard elements and other strategic locations to illuminate walkways and ramps.

Greg Day IESNA, IALD, LC

Greg Day Lighting
207.671.5551
100 Front St 3rd Flr Bath Maine 04530
419 Lafayette St 2nd Flr New York NY 10003
gregdaylighting.com



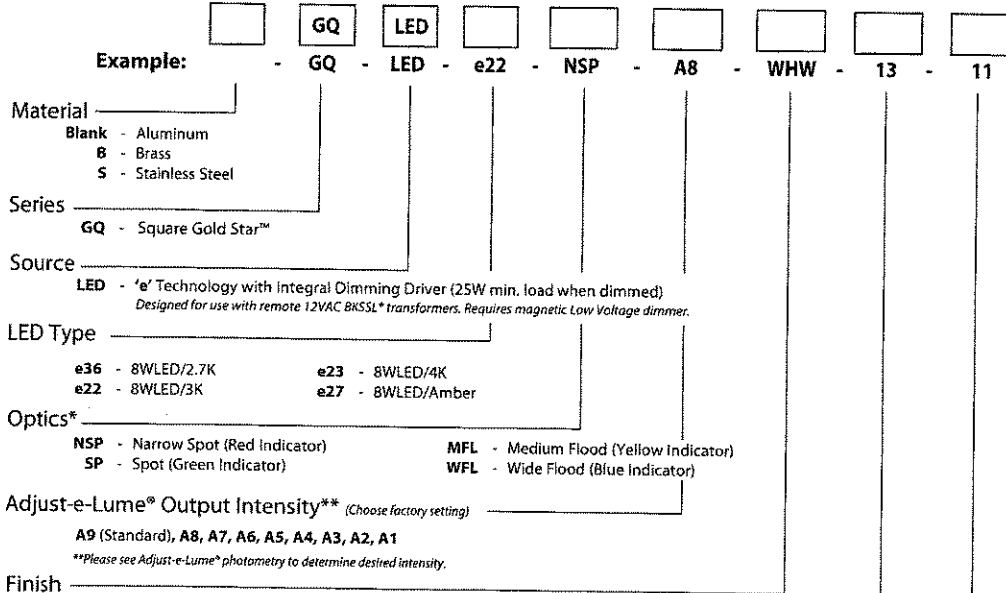
BKSSL
SOLID STATE LIGHTING



NEOCH SQUARE GOLD STAR™

PROJECT:	
TYPE:	
CATALOG NUMBER:	
SOURCE:	
NOTES:	

CATALOG NUMBER LOGIC



Aluminum Finish			Brass Finish		Premium Finish					
Powder Coat Color	Satin	Wrinkle	Machined	MAC	ABP	Antique Brass Powder	CMG	Cascade Mountain Granite	RMG	Rocky Mountain Granite
Bronze	BZP	BZW	Polished	POL	AMG	Aleutian Mountain Granite	CRI	Cracked Ice	SDS	Sonoran Desert Sandstone
Black	BLP	BLW	Mitique™	MIT	AQW	Antique White	CRM	Cream	SMG	Sierra Mountain Granite
White (Gloss)	WHP	WHW	Stainless Finish		BCM	Black Chrome	HUG	Hunter Green	TXF	Textured Forest
Aluminum	SAP	—	Machined	MAC	BGE	Beige	MDS	Mojave Desert Sandstone	WCP	Weathered Copper
Verde	—	VER	Polished	POL	BPP	Brown Patina Powder	NBP	Natural Brass Powder	WIR	Weathered Iron
			Brushed	BRU <i>Interior use only.</i>	CAP	Clear Anodized Powder	OCP	Old Copper		<i>Also available in RAL Finishes See submittal SUB-1439-00</i>

Lens Type
12 - Soft Focus Lens 13 - Rectilinear Lens

Shielding
11 - Honeycomb Baffle

DRIVER DATA	Input Volts	InRush Current	Dimmable	Operation Ambient Temperature
	12VAC/DC 50/60Hz	< 1A (non-dimmed)	Magnetic Low Voltage Dimmer	-10°F-130°F

LM79 DATA

BK No.	CCT (Typ.)	Input Watts (Typ.)	CRI (Typ.)
e36	2700K	8.4	90
e22	3100K	8.4	90
e23	4100K	8.4	75
e27	Amber (590nm)	7.9	~

L70 DATA

Minimum Rated Life (hrs.) 70% of Initial lumens (L70)
50,000
50,000
50,000
50,000

*OPTICAL DATA

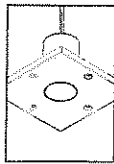
Beam Type	Angle	Visual Indicator
Narrow Spot	14°	Red Dot
Spot	18°	Green Dot
Medium Flood	25°	Yellow Dot
Wide Flood	36°	Blue Dot

B-K LIGHTING	40429 Brickyard Drive • Madera, CA 93636 • USA 559.438.5800 • FAX 559.438.5900 www.bklighting.com • info@bklighting.com	RELEASED 03-11-15	DRAWING NUMBER SUB001154
	<p>THIS DOCUMENT CONTAINS PROPRIETARY INFORMATION OF B-K LIGHTING, INC. AND ITS RECEIPT OR POSSESSION DOES NOT CONVEY ANY RIGHTS TO REPRODUCE, DISCLOSE ITS CONTENTS, OR TO MANUFACTURE, USE OR SELL ANYTHING IT MAY DESCRIBE. REPRODUCTION, DISCLOSURE OR USE WITHOUT SPECIFIC WRITTEN AUTHORIZATION OF B-K LIGHTING, INC. IS STRICTLY FORBIDDEN.</p>		

Greg Day Lighting

Type C, C1

SQUARE GOLD STAR™

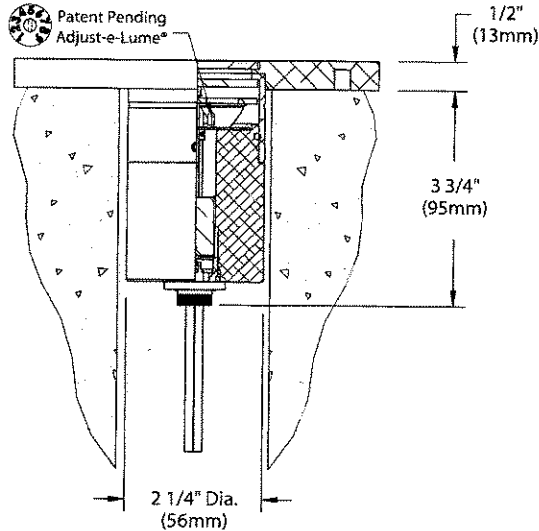


BKSSL
SOLID STATE LIGHTING

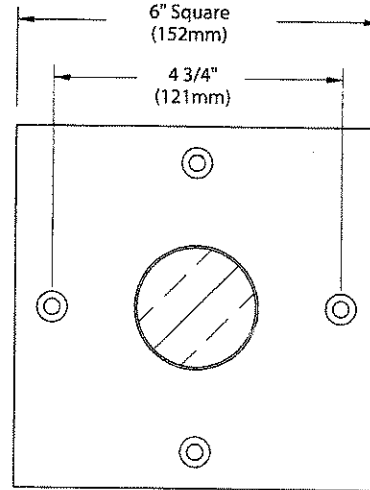
the power of
dimming
adjust
C-lume™
TECHNOLOGY

PROJECT:	
TYPE:	

SIDE VIEW



FACEPLATE DETAIL



Accessories (Configure separately)

Remote options:



TR Series



UPMRM™

All dimensions indicated on this submittal are nominal. Contact Technical Sales if you require more stringent specifications.

SPECIFICATIONS

GreenSource Initiative™

Metal and packaging components are made from recycled materials. Manufactured using renewable solar energy, produced on site. Returnable to manufacturer at end of life to ensure cradle-to-cradle handling. Packaging contains no chlorofluorocarbons (CFC's). Use of this product may qualify for GreenSource efficacy and recycling rebate(s). Consult www.bklighting.com/greensource for program requirements.

Materials

Furnished in Copper-Free Aluminum (Type 6061-T6), Brass (Type 360) or Stainless Steel (Type 304).

Core Drill

Allows for mounting into existing structures that will not easily accept a standard box. 2-1/2" dia. hole required for slip fit.

Body

Fully machined from solid billet. Unibody design provides enclosed, water-proof wireway and integral heat sink for maximum component life. High temperature, silicone 'O' Ring provides water-tight seal. Provided with hard-coat (Type III) black anodize finish for maximum corrosion resistance. Weather-tight cable connector with 5'0," 18Ga., 2 wire low voltage cable.

Faceplate

Fully machined from solid billet. Countersunk holes provide for flush hardware mounting (by others). Accommodates [1] lens or lower media.

Lens

Flush mount, shock resistant, tempered, glass lens is factory adhered to faceplate and provides hermetically sealed optical compartment. Specify soft focus (#12) or rectilinear (#13) lens.

BKSSL™

Integrated solid state system with 'e' technology is scalable for field upgrade. Modular design with electrical quick disconnects permit field maintenance. High power, forward throw source complies with ANSI C78.377 binning requirements. Exceeds ENERGY STAR® lumen maintenance requirements. LM-80 certified components.

Integral, constant current driver. 12VAC/VDC input. 50/60Hz. Proprietary input control scheme achieves power factor correction and eliminates inrush current. Output, over-voltage, open-circuit, and short circuit protected. Inrush current limited to <1A (non-dimming). Conforms to Safety Std. C22.2 No. 250.13-12.

Line dimmable. For use with low voltage dimmer with dedicated neutral conductor. Minimum 25 watt load required for dimming.

Optics

Interchangeable OPTIKIT™ modules permit field changes to optical distribution. Color-coded for easy reference: Narrow Spot (NSP) = Red. Spot (SP) = Green. Medium Flood (MFL) = Yellow. Wide Flood (WFL) = Blue.

Adjust-e-Lume® (Pat. Pending)

Integral electronics allows dynamic lumen response at the individual fixture. Indexed (100% to 25% nom.) lumen output. Maintains output at desired level or may be changed as conditions require. Specify factory preset output intensity.

Adjust-e-Lume® (Pat. Pending)

Integral electronics allows dynamic lumen response at the individual fixture. Indexed (100% to 25% nom.) lumen output. Maintains output at desired level or may be changed as conditions require. Specify factory preset output intensity.

Remote Transformer

For use with 12VAC BKSSL remote transformer or magnetic transformers only. B-K Lighting cannot guarantee performance with third party manufacturers' transformers.

Wiring

Teflon® coated, 18AWG, 600V, 250° C rated and certified to UL 1659 standard.

Hardware

Tamper-resistant, stainless steel hardware. Mounting hardware by others.

Finish

StarGuard®, our exclusive RoHS compliant, 15 stage chromate-free process cleans and conversion coats aluminum components prior to application of Class 'A' TGIC polyester powder coating. Brass components are available in powder coat or handcrafted metal finish. Stainless steel components are available in handcrafted metal finish. (Brushed finish for interior use only).

Warranty

5 year limited warranty.

Certification and Listing

ITL tested to IESNA LM-79. Lighting Facts Registration per USDOE (www.lightingfacts.com). ETL Listed to ANSI/UL Standard 1838 and UL Standard 8750 and Certified to CAN/CSA C22.2 No. 9, CSA TIL B-58B. RoHS compliant. Suitable for indoor or outdoor use. Suitable for installation in combustible materials (Type Non-IC). Suitable for use in wet locations. Suitable for installation within 4' of the ground. IP65 Rated. Made in USA.



*Teflon is a registered trademark of DuPont Corporation.
*Energy Star is a registered trademark of the United States Environmental Protection Agency.

B-K LIGHTING

40429 Brickyard Drive • Madera, CA 93636 • USA
559.438.5800 • FAX 559.438.5900
www.bklighting.com • info@bklighting.com





RELEASED
03-11-15

DRAWING NUMBER
SUB001154

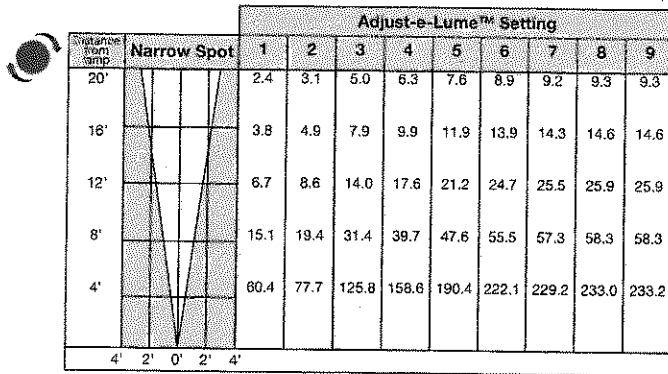
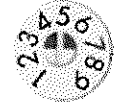
Greg Day Lighting

Type C, C1

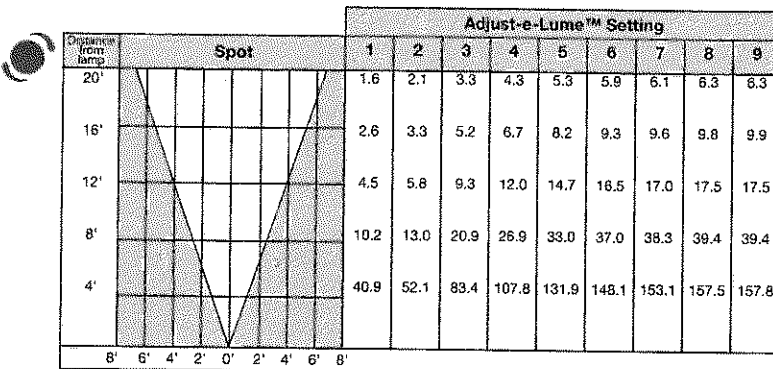
Select OptiKit™ for desired distribution

- RED**  **Narrow Spot (NSP)**
- GREEN**  **Spot (SP)**
- YELLOW**  **Medium Flood (MFL)**
- BLUE**  **Wide Flood (WFL)**

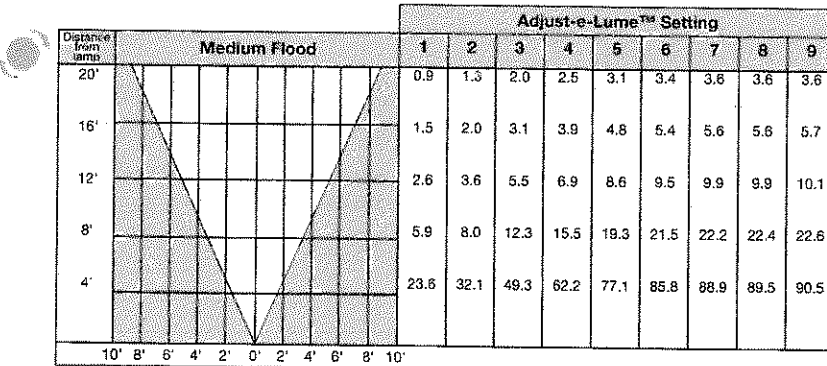
Set adjust-e-lume™ Dial to desired output



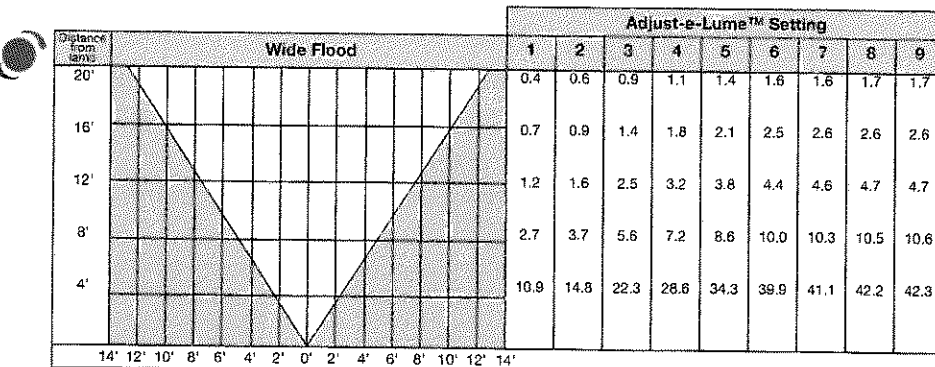
Note: If using No. 11 honeycomb baffle multiply footcandle values by .80



Note: If using No. 11 honeycomb baffle multiply footcandle values by .90



Note: If using No. 11 honeycomb baffle multiply footcandle values by .80

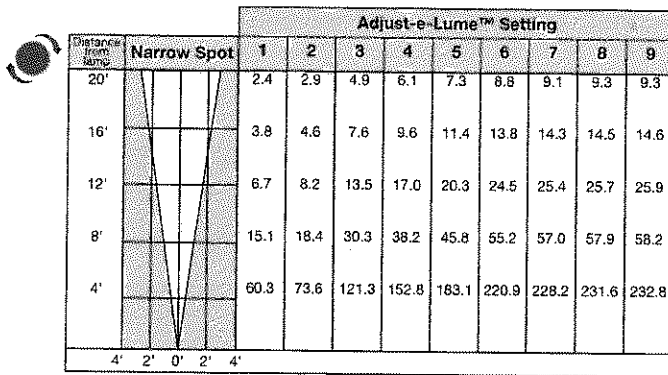
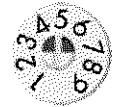


Note: If using No. 11 honeycomb baffle multiply footcandle values by .80

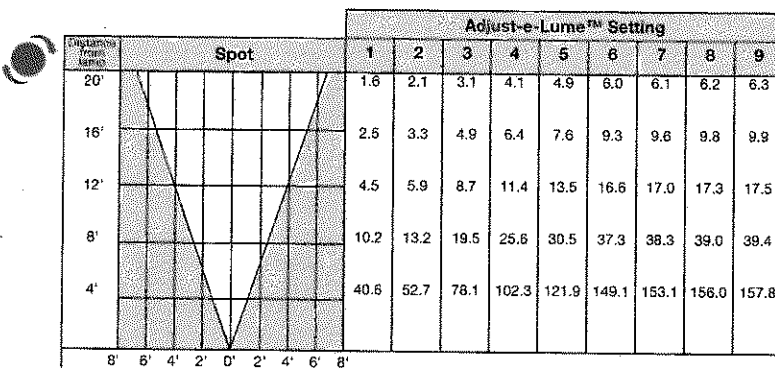
Select OptiKit™ for desired distribution

- RED ● Narrow Spot (NSP)
- GREEN ● Spot (SP)
- YELLOW ● Medium Flood (MFL)
- BLUE ● Wide Flood (WFL)

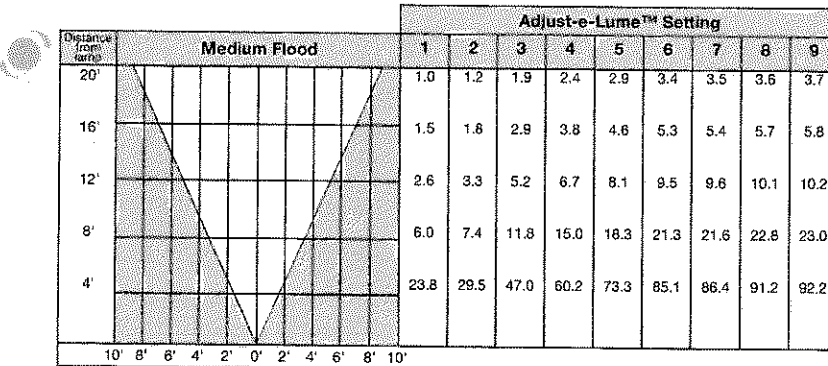
Set adjust-e-lume™ Dial to desired output



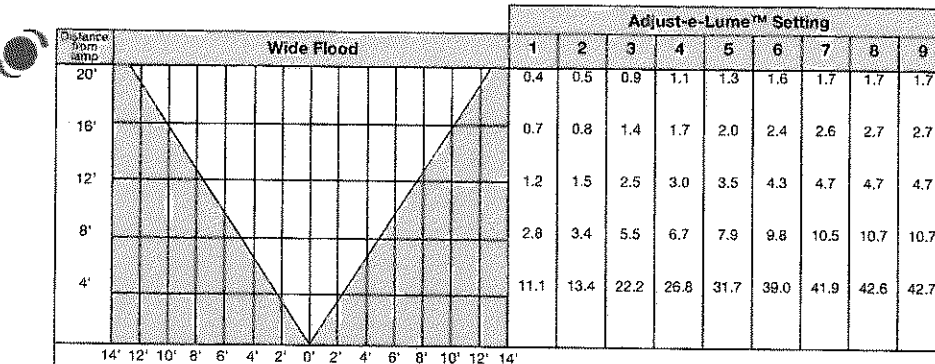
Note: If using No. 11 honeycomb baffle multiply footcandle values by .80



Note: If using No. 11 honeycomb baffle multiply footcandle values by .80







Note: If using No. 11 honeycomb baffle multiply footcandle values by .80

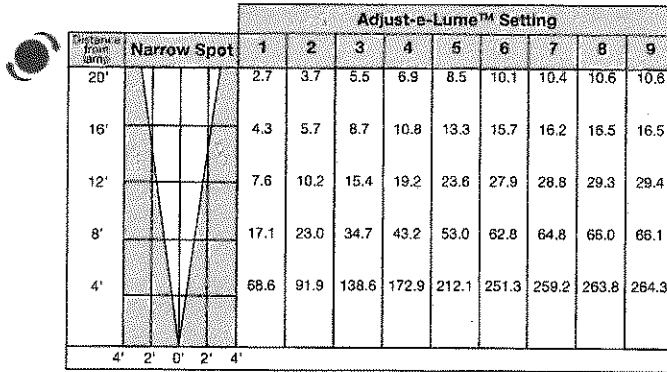


Note: If using No. 11 honeycomb baffle multiply footcandle values by .80

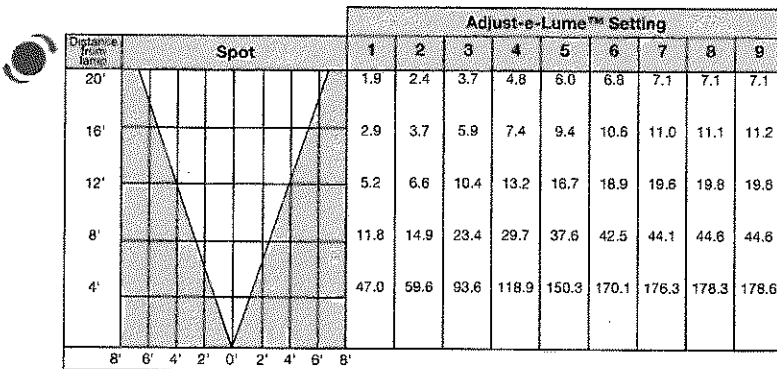
Select OptiKit™ for desired distribution

- RED  **Narrow Spot (NSP)**
- GREEN  **Spot (SP)**
- YELLOW  **Medium Flood (MFL)**
- BLUE  **Wide Flood (WFL)**

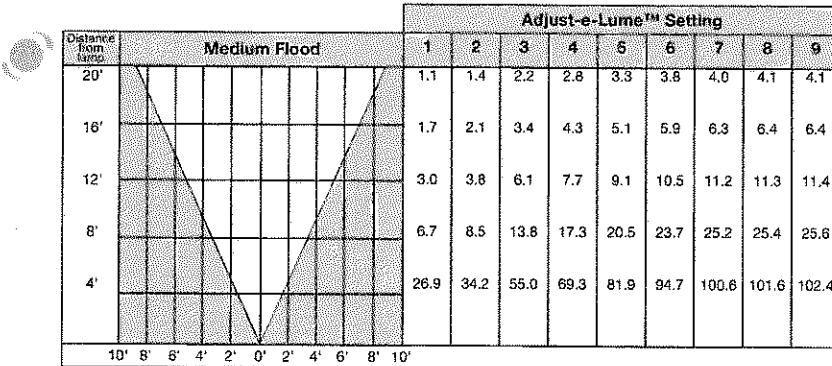
Set adjust-e-lume™ Dial to desired output



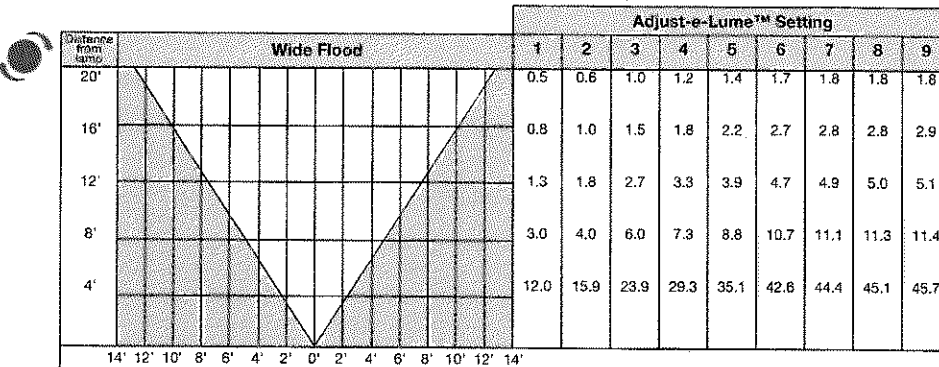
Note: If using No. 11 honeycomb baffle multiply footcandle values by .80



Note: If using No. 11 honeycomb baffle multiply footcandle values by .80



Note: If using No. 11 honeycomb baffle multiply footcandle values by .80



Note: If using No. 11 honeycomb baffle multiply footcandle values by .80

Square Color Star™ - Spot

lighting facts^{CM}

A Program of the U.S. DOE

Light Output (Lumens)	354
Watts	8.1
Lumens per Watt (Efficacy)	43

Color Accuracy	68
Color Rendering Index (CRI)	

Light Color
Correlated Color Temperature (CCT)

4080 (Bright White)

2700K 3000K 4000K 6500K

All results are according to IESNA LM-79-09(06) Approved Method for the Electrical and Photometric Testing of Solid-State Lighting. The U.S. Department of Energy (DOE) verifies product test data and results.

Visit www.lightingfacts.com for the Label Reference Guide.

Registration Number: QCRV-4006P12
Model Number: SQ-LED-403-09P-12
Type: Other

Square Color Star™ - Spot

lighting facts^{CM}

NEOCH

A Program of the U.S. DOE

Light Output (Lumens)	253
Watts	8.2
Lumens per Watt (Efficacy)	30

Color Accuracy	83
Color Rendering Index (CRI)	

Light Color
Correlated Color Temperature (CCT)

3182 (Bright White)

2700K 3000K 4000K 6500K

All results are according to IESNA LM-79-09(06) Approved Method for the Electrical and Photometric Testing of Solid-State Lighting. The U.S. Department of Energy (DOE) verifies product test data and results.

Visit www.lightingfacts.com for the Label Reference Guide.

Registration Number: QCRV-4005G17
Model Number: SQ-LED-403-09P-13
Type: Other

Square Color Star™ - Med. Flood - Recessed

lighting facts^{CM}

A Program of the U.S. DOE

Light Output (Lumens)	299
Watts	8.5
Lumens per Watt (Efficacy)	35

Color Accuracy	66
Color Rendering Index (CRI)	

Light Color
Correlated Color Temperature (CCT)

4022 (Bright White)

2700K 3000K 4000K 6500K

All results are according to IESNA LM-79-09(06) Approved Method for the Electrical and Photometric Testing of Solid-State Lighting. The U.S. Department of Energy (DOE) verifies product test data and results.

Visit www.lightingfacts.com for the Label Reference Guide.

Registration Number: QCRV-4006P14
Model Number: SQ-LED-403-MFL-13
Type: Other

Square Color Star™ - Narrow Spot

lighting facts^{CM}

A Program of the U.S. DOE

Light Output (Lumens)	365
Watts	8.2
Lumens per Watt (Efficacy)	44

Color Accuracy	68
Color Rendering Index (CRI)	

Light Color
Correlated Color Temperature (CCT)

4102 (Bright White)

2700K 3000K 4000K 6500K

All results are according to IESNA LM-79-09(06) Approved Method for the Electrical and Photometric Testing of Solid-State Lighting. The U.S. Department of Energy (DOE) verifies product test data and results.

Visit www.lightingfacts.com for the Label Reference Guide.

Registration Number: QCRV-4006W10
Model Number: SQ-LED-403-NSP-12
Type: Other

Square Color Star™ - W. Flood

lighting facts^{CM}

A Program of the U.S. DOE

Light Output (Lumens)	345
Watts	8.3
Lumens per Watt (Efficacy)	41

Color Accuracy	67
Color Rendering Index (CRI)	

Light Color
Correlated Color Temperature (CCT)

3981 (Bright White)

2700K 3000K 4000K 6500K

All results are according to IESNA LM-79-09(06) Approved Method for the Electrical and Photometric Testing of Solid-State Lighting. The U.S. Department of Energy (DOE) verifies product test data and results.

Visit www.lightingfacts.com for the Label Reference Guide.

Registration Number: QCRV-4006R10
Model Number: SQ-LED-403-WFL-13
Type: Other

Square Color Star™ - Med. Flood

lighting facts^{CM}

A Program of the U.S. DOE

Light Output (Lumens)	346
Watts	8.2
Lumens per Watt (Efficacy)	42

Color Accuracy	68
Color Rendering Index (CRI)	

Light Color
Correlated Color Temperature (CCT)

4047 (Bright White)

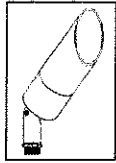
2700K 3000K 4000K 6500K

All results are according to IESNA LM-79-09(06) Approved Method for the Electrical and Photometric Testing of Solid-State Lighting. The U.S. Department of Energy (DOE) verifies product test data and results.

Visit www.lightingfacts.com for the Label Reference Guide.

Registration Number: QCRV-4006M17
Model Number: SQ-LED-403-MFL-12
Type: Other

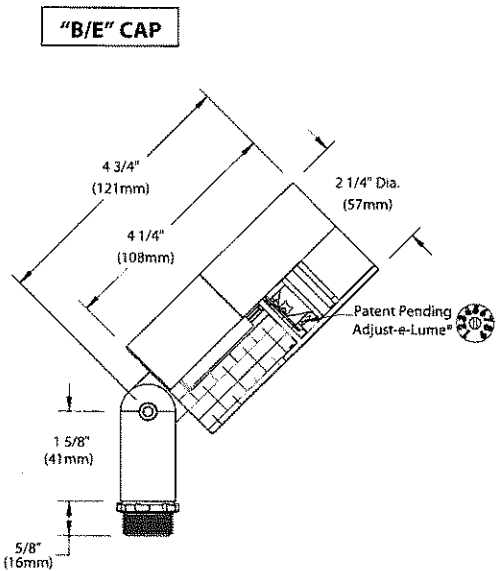
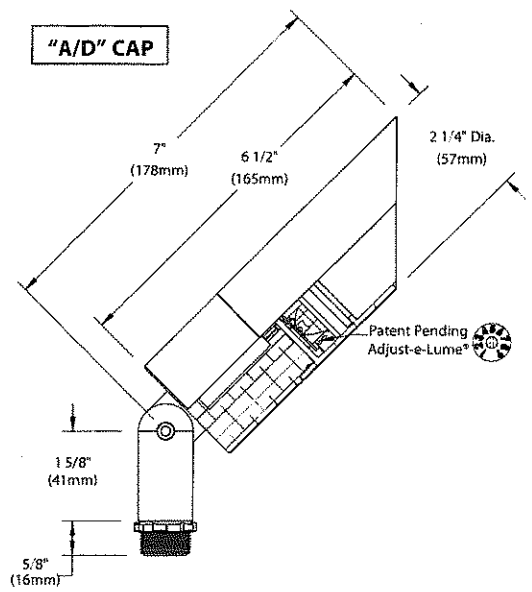
NEOCH DELTA STAR™



BKSSL
SOLID STATE LIGHTING

the power of
dimming with adjust
e-Lume™
TECHNOLOGY

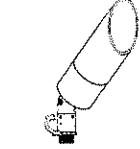
PROJECT:	
TYPE:	



360 SL™

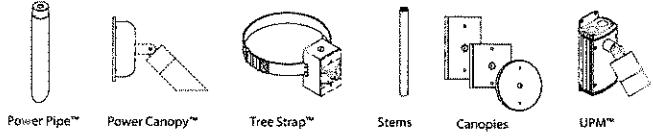
Accessories (Configure separately)

All dimensions indicated on this submittal are nominal. Contact Technical Sales if you require more stringent specifications.

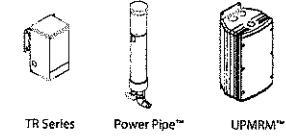


Horizontal Rotation
(Optional 360SL™ Knuckle)

Mounting:



Remote Transformers:



SPECIFICATIONS

GreenSource Initiative™

Metal and packaging components are made from recycled materials. Manufactured using renewable solar energy, produced onsite. Returnable to manufacturer at end of life to ensure cradle-to-cradle handling. Packaging contains no chlorofluorocarbons (CFC's). Use of this product may qualify for GreenSource efficacy and recycling rebate(s). Consult www.bklighting.com/greensource for program requirements.

Materials

Furnished in Copper-Free Aluminum (Type 6061-T6), Brass (Type 360) or Stainless Steel (Type 304).

Body

Fully machined from solid billet. Unibody design provides enclosed, water-proof wireway and integral heat sink for maximum component life. Integral knuckle for maximum mechanical strength. High temperature, silicone 'O' Ring provides water-tight seal.

Knuckle

The LOCK™ (Locking 'O' Ring Compression Knuckle) is comprised of two components. The first is integral to the body and features an interior, machined taper. The second is machined from solid billet and features a second, reverse angle taper. The resultant mechanical taper-lock allows a full 180° vertical adjustment without the use of serrated teeth, which inherently limit aiming. High temperature, silicone 'O' Ring provides water-tight seal and compressive resistance to maintain fixture position. Design withstands 73 lb. static load prior to movement to ensure decades of optical alignment. 1/2" pipe thread for mounting.

Optional 360SL™ additionally provides biaxial source control with 360° horizontal rotation in addition to vertical adjustment.

Cap

Fully machined. Accommodates [1] lens or louver media. Choose from 45° cutoff ('A' or 'D'), or 1" deep bezel with 90°

cutoff ('B' or 'E') cap styles. 'A' and 'B' caps include weep-hole for water and debris drainage. 'D' and 'E' caps exclude weep-hole and are for interior use only.

Lens

Shock resistant, tempered, glass lens is factory adhered to fixture cap and provides hermetically sealed optical compartment. Specify soft focus (#12) or rectilinear (#13) lens.

BKSSL™

Integrated solid state system with 'e' technology is scalable for field upgrade. Modular design with electrical quick disconnects permit field maintenance. High power, forward throw source complies with ANSI C78.377 binning requirements. Exceeds ENERGY STAR® lumen maintenance requirements. LM-80 certified components.

Integral, constant current driver. 12VAC/VDC input. 50/60Hz. Proprietary input control scheme achieves power factor correction and eliminates inrush current. Output, over-voltage, open-circuit, and short circuit protected. Inrush current limited to <1A (non-dimming). Conforms to Safety Std. C22.2 No. 250.13-12.

Line dimmable. For use with low voltage dimmer with dedicated neutral conductor. Minimum 25 watt load required for dimming.

Adjust-e-Lume® (Pat. Pending)

Integral electronics allows dynamic lumen response at the individual fixture. Indexed (100% to 25% nom.) lumen output. Maintains output at desired level or may be changed as conditions require. Specify factory preset output intensity.

Optics

Interchangeable OPTIKIT™ modules permit field changes to optical distribution. Color-coded for easy reference: Narrow Spot (NSP) = Red. Spot (SP) = Green. Medium Flood (MFL) = Yellow. Wide Flood (WFL) = Blue.

Remote Transformer

For use with 12VAC remote transformer.

Wiring

Teflon™ coated, 18AWG, 600V, 250° C rated and certified to UL 1659 standard.

Hardware

Tamper-resistant, stainless steel hardware. LOCK™ aiming screw is additionally black oxide treated for additional corrosion resistance.

Finish

StarGuard®, our exclusive RoHS compliant, 15 stage chromate-free process cleans and conversion coats aluminum components prior to application of Class 'A' TGIC polyester powder coating. Brass components are available in powder coat or handcrafted metal finish. Stainless steel components are available in handcrafted metal finish. (Brushed finish for interior use only).

Warranty

5 year limited warranty.

Certification and Listing

ITL tested to IESNA LM-79. Lighting Facts Registration per USDOE (www.lightingfacts.com). ETL Listed to ANSI/UL Standard 1838 and UL Standard 8750. Certified to CAN/CSA Standard C22.2 No. 9, CSA TIL B-58B. RoHS compliant. Suitable for indoor or outdoor use. Suitable for use in wet locations. Suitable for installation within 4' of the ground. IP66 Rated. Made in USA.



*Teflon is a registered trademark of DuPont Corporation.
*Energy Star is a registered trademark of the United States Environmental Protection Agency.

B-K LIGHTING

40429 Brickyard Drive • Madera, CA 93636 • USA
559.438.5800 • FAX 559.438.5900
www.bklighting.com • info@bklighting.com

SUBMITTAL DATE
1-8-14

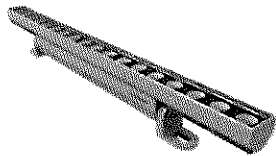
DRAWING NUMBER
SUB000930

Greg Day Lighting

Type K

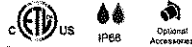


Date: _____ Quantity: _____
 Company: _____
 Project: _____



Nano Liner Allegro AC XB

The Nano Liner Allegro AC XB series is a slim profile, AC line powered high brightness luminaire. The series is phase-cut dimmable, and is available in two lengths, 310mm and 1216mm, color temperatures 3000K / 4000K, and optics. The luminaire can be simply daisy-chained to form long runs up to 90ft.



Product Specifications

	XB-9	XB-36
Light Source	9 LEDs	36 LEDs
Color Temperature	3000K / 4000K	
CRI	82Ra (3000 K), 82Ra (4000 K)	
Beam Angle	40°, 50° x 10°	
Luminous Flux	635 - 865 lm	2540 - 3452 lm
Efficacy	60 - 84 lm/W typ.	
Lumen Maintenance	L70 @25°C - 80,000hrs	
Cover Lens	Tempered glass cover	
Housing	Aluminium	
Adjustment Options	±90 tilt	
Dimensions (L x W x H)	310 x 42 x 78mm 12" x 1.7" x 3"	1216 x 42 x 78mm 48" x 1.7" x 3"
Weight	1.5kg/3.3lbs	5.0kg/11lbs
Regulatory Listing & Safety Approval	cETLus	
Operating Temperature	-30°C to +50°C / -22°F to +122°F (-20°C / -4°F starting)	
Storage Temperature	-40°C to +70°C / -40°F to +158°F	
Environment	Outdoor (IP66), suitable for coastal environments	
Humidity	85%, non-condensing	

Electrical Specifications

Input Voltage	120V, 277V AC nominal	
Power Consumption	11W max.	44W max.
Power Factor	≥ 0.9	

System Specifications

Power	AC line
Control ¹	Phase-cut dimmable
Power Supply	Built-in
Fixture Interconnection ²	50ft (max.) @120VAC; 90ft (max.) @277VAC

1. Refer to Nano Liner IPEA and IES Compliance Document List for specific details.
 2. Interconnectors required for longer runs.

LED CHARACTERISTICS: Because LEDs are a non-linear device, their performance can be affected by several variables commonly found in some outdoor environments. To insure consistent performance across the color product, LED manufacturers "bin" LEDs into bins according to different tested parameters, such as forward voltage, voltage, luminous flux, etc. However, binning is a sorting function, it is not a correction process. Although variability in the manufacturing process results in slight binning discrepancies according to factory production lots, Traxon uses automatically binned LEDs on its products. Bin-to-bin matching is not guaranteed within the model range.

As with all electronic devices, LED output degrades over time - a term called lumen depreciation. The light systems use it to ensure, depending on input parameters, performance is two LED products with 80% and above life spans in the bin name. The rate of LED degradation is a function of many factors such as operating altitude, ambient temperature, optical system, ambient temperature, relative humidity, and power supply. Ambient temperature is the most important temperature for example, if ambient working under optimal operating temperature range and good ventilation, LED device can have long service life and low thermal light sources. When using outdoor LED devices, you should be aware to ensure that the devices will operate within the specified conditions specified in respective product file sheet.

Lumen measurements conducted with LM-79-09 standard.
 Lumen maintenance is calculated based on LM-80 compliant measurement.

www.traxontechnologies.com

©2015 TRAXON TECHNOLOGIES, A DIVISION OF LUMINUS. ALL RIGHTS RESERVED. TRAXON™, TX CONNECT™ ARE TRADEMARKS OF TRAXON TECHNOLOGIES. U.S. PATENTS, E.U. PATENTS, AND/OR PATENTS IN OTHER PATENT JURISDICTIONS ARE SUBJECT TO CHANGE WITHOUT NOTICE.

Product Specification

01-15 (v. 4)

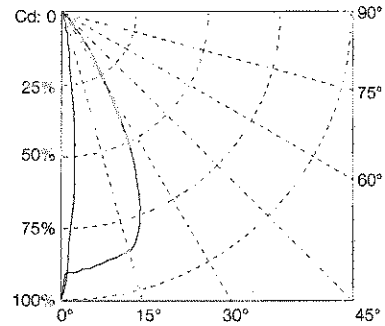
1 of 8



Nano Liner Allegro AC XB

Photometrics

Candela Distribution



Light Output

Color Temperature	Luminous Flux (lm)	Candela Distribution @100%	Efficacy (lm/W)
XB-9			
3000 K	648.45	4483.68	64.13
4000 K	720.78	5209.84	73.32
XB-36			
3000 K	2491.04	12032.26	63.47
4000 K	2695.80	13804.27	69.21

Diagram based on Nano Liner Allegro AC XB-36 3000K

Illuminance at a Distance

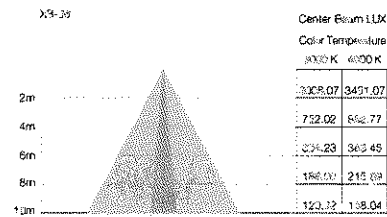
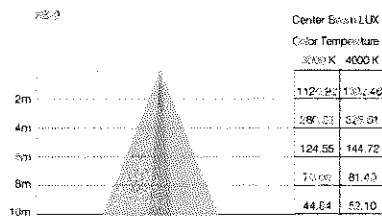


Diagram based on 3000 K measurement
Far field multiplies by 0.28

Vert Spread: 8.2°
Horiz Spread: 54.6°
Far field divide by 10.7

www.traxontechnologies.com

©2015 TRAXON TECHNOLOGIES - AN OSRAM BUSINESS. ALL RIGHTS RESERVED. TRAXON™, TX CONNECT™, ARE TRADEMARKS OF TRAXON TECHNOLOGIES. U.S. PATENTS & EU PATENTS, US & FOREIGN PATENTS, OTHER PATENTS PENDING. SPECIFICATIONS ARE SUBJECT TO CHANGE WITHOUT NOTICE.

Product Specification

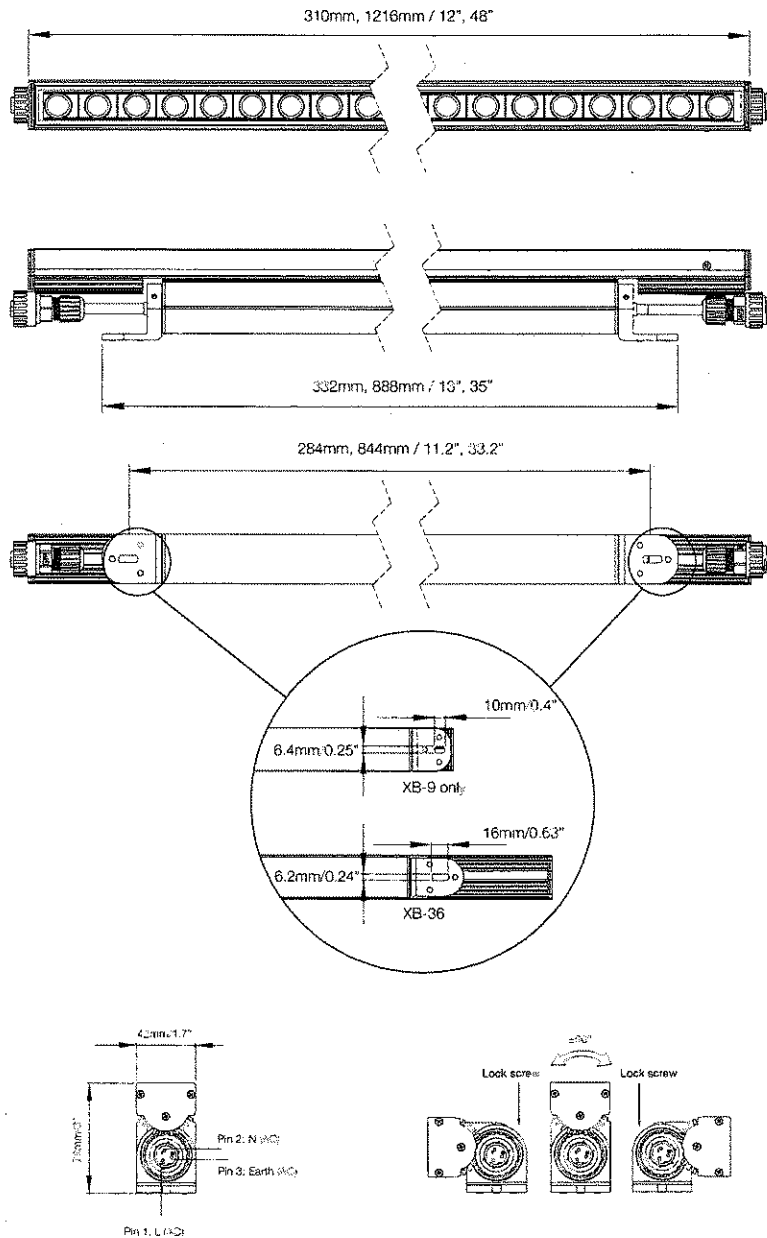
03/15 v1.4

2 of 3



Nano Liner Allegro AC XB

Dimensions



www.traxontechnologies.com

©2013 TRAXON TECHNOLOGIES - AN OUBINA BUSINESS. ALL RIGHTS RESERVED. TRAXON™, TX CONNECT™ ARE TRADEMARKS OF TRAXON TECHNOLOGIES. U.S. PATENTS, E.U. PATENTS, JAPANESE PATENTS, OTHER PATENTS PENDING. SPECIFICATIONS ARE SUBJECT TO CHANGE WITHOUT NOTICE.

Product Specification

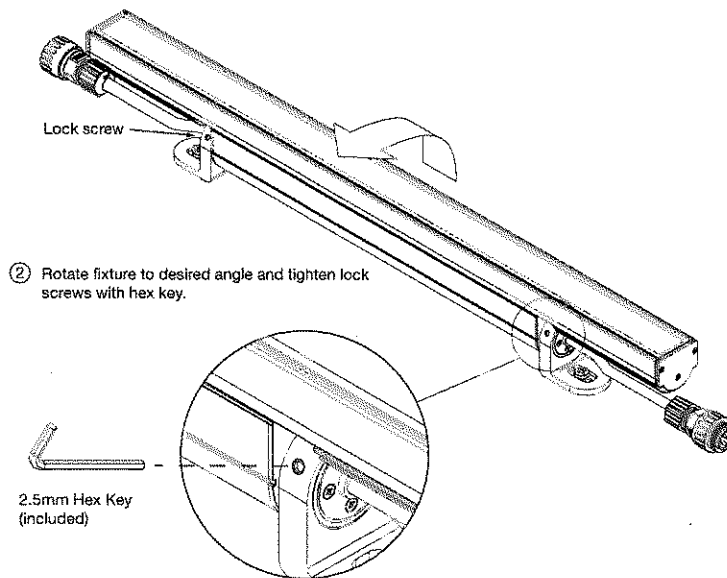
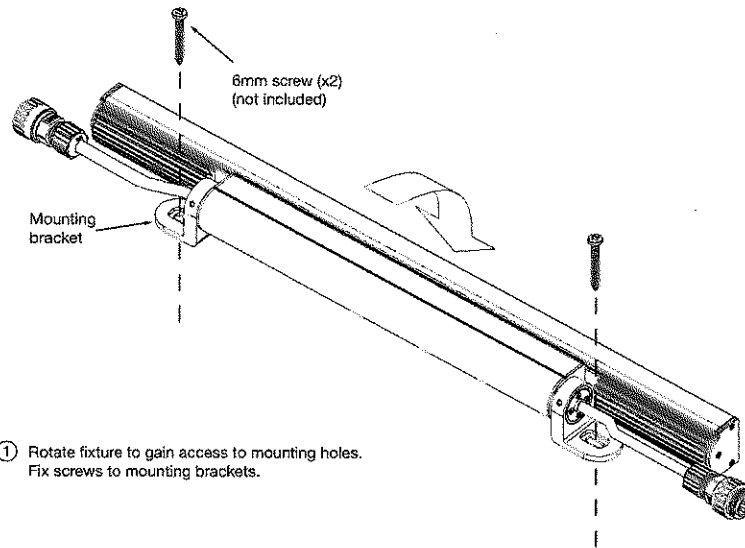
09/11/14

3 of 8



Nano Liner Allegro AC XB

Mounting



www.traxontechnologies.com

©2015 TRAXON TECHNOLOGIES - AN OCEAN BUSINESS. ALL RIGHTS RESERVED. TRAXON™, TX CONNECT™, FREEMARK™ ARE TRADEMARKS OF TRAXON TECHNOLOGIES. U.S. PATENTS, E.U. PATENTS, JAPAN PATENTS, OTHER PATENTS PENDING. SPECIFICATIONS ARE SUBJECT TO CHANGE WITHOUT NOTICE.

Product Specification

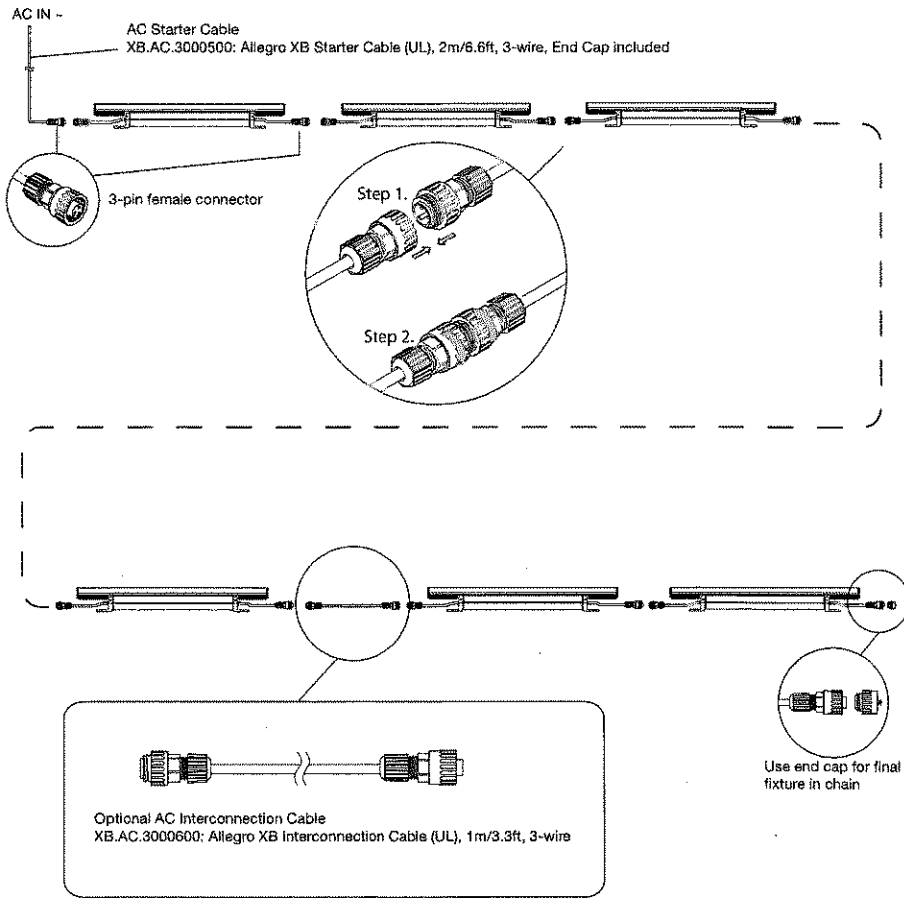
0215 014

4 of 8



Nano Liner Allegro AC XB

System Diagram



www.traxontechnologies.com

©2015 TRAXON TECHNOLOGIES, INC. ALL RIGHTS RESERVED. TRAXON™, TX CONNECT™ ARE TRADEMARKS OF TRAXON TECHNOLOGIES. U.S. PATENTS, E.U. PATENTS, JAPAN PATENTS. OTHER PATENTS PENDING. SPECIFICATIONS ARE SUBJECT TO CHANGE WITHOUT NOTICE.

Product Specification

09/15/14

5 of 8



Nano Liner Allegro AC XB

Ordering

Fixtures 120V

Model No.	Description	Item Code
XB.N0.8376130	Nano Liner Allegro AC XB9 3000K 40deg (ETL 120V)	AA688490055
XB.N0.8374130	Nano Liner Allegro AC XB9 3000K 50x10deg (ETL 120V)	AA688480055
XB.N0.8396130	Nano Liner Allegro AC XB9 4000K 40deg (ETL 120V)	AA688470055
XB.N0.8394130	Nano Liner Allegro AC XB9 4000K 50x10deg (ETL 120V)	AA688460055
XB.N3.8376130	Nano Liner Allegro AC XB36 3000K 40deg (ETL 120V)	AA688310055
XB.N3.8374130	Nano Liner Allegro AC XB36 3000K 50x10deg (ETL 120V)	AA688300055
XB.N3.8396130	Nano Liner Allegro AC XB36 4000K 40deg (ETL 120V)	AA688290055
XB.N3.8394130	Nano Liner Allegro AC XB36 4000K 50x10deg (ETL 120V)	AA688280055

Fixtures 277V

Model No.	Description	Item Code
XB.N0.8376170	Nano Liner Allegro AC XB9 3000K 40deg (ETL 277V)	AA688970055
XB.N0.8374170	Nano Liner Allegro AC XB9 3000K 50x10deg (ETL 277V)	AA688980055
XB.N0.8396170	Nano Liner Allegro AC XB9 4000K 40deg (ETL 277V)	AA688990055
XB.N0.8394170	Nano Liner Allegro AC XB9 4000K 50x10deg (ETL 277V)	AA689000055
XB.N3.8376170	Nano Liner Allegro AC XB36 3000K 40deg (ETL 277V)	AA689150055
XB.N3.8374170	Nano Liner Allegro AC XB36 3000K 50x10deg (ETL 277V)	AA689160055
XB.N3.8396170	Nano Liner Allegro AC XB36 4000K 40deg (ETL 277V)	AA689170055
XB.N3.8394170	Nano Liner Allegro AC XB36 4000K 50x10deg (ETL 277V)	AA689180055

Accessories

Model No.	Description	Item Code
XB.AC.3000500	Allegro XB Starter Cable (UL), 6.6ft, 3-wire, incl End Cap	AA686520055
XB.AC.3000600	Allegro XB Interconnection Cable (UL), 3.3ft, 3-wire	AA686540055

www.traxontechnologies.com

©2015 TRAXON TECHNOLOGIES - AN OSRAM BUSINESS. ALL RIGHTS RESERVED. TRAXON™, CONNECT™, ARE TRADEMARKS OF TRAXON TECHNOLOGIES. U.S. PATENTS, E.U. PATENTS, JAPANESE PATENTS, OTHER PATENTS PENDING. SPECIFICATIONS ARE SUBJECT TO CHANGE WITHOUT NOTICE.

Product Specification

09/17/14

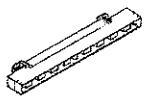

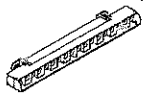

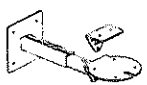

6 of 6



Nano Liner Allegro AC XB

Accessories

Accessories - Light Directing

Description	Item Code
	Nano Liner Allegro AC XB-9 Symmetrical Louver 12" AA788210054
	Nano Liner Allegro AC XB-36 Symmetrical Louver 48" AA788240054
	Nano Liner Allegro AC XB-9 Asymmetrical Louver 12" AA788250054
	Nano Liner Allegro AC XB-36 Asymmetrical Louver 48" AA788280054
	Wall Mount Arm 6"-12" AA782820054
	Wall Mount Arm 12"-24" AA782830054

www.traxontechnologies.com

©2015 TRAXON TECHNOLOGIES - AN OSRAM BUSINESS. ALL RIGHTS RESERVED. TRAXON™, TX DESIGN™ ARE TRADEMARKS OF TRAXON TECHNOLOGIES. U.S. PATENTS, E.U. PATENTS, JAPAN PATENTS, & OTHER PATENTS PENDING. SPECIFICATIONS ARE SUBJECT TO CHANGE WITHOUT NOTICE.

Product Information

03/15/14

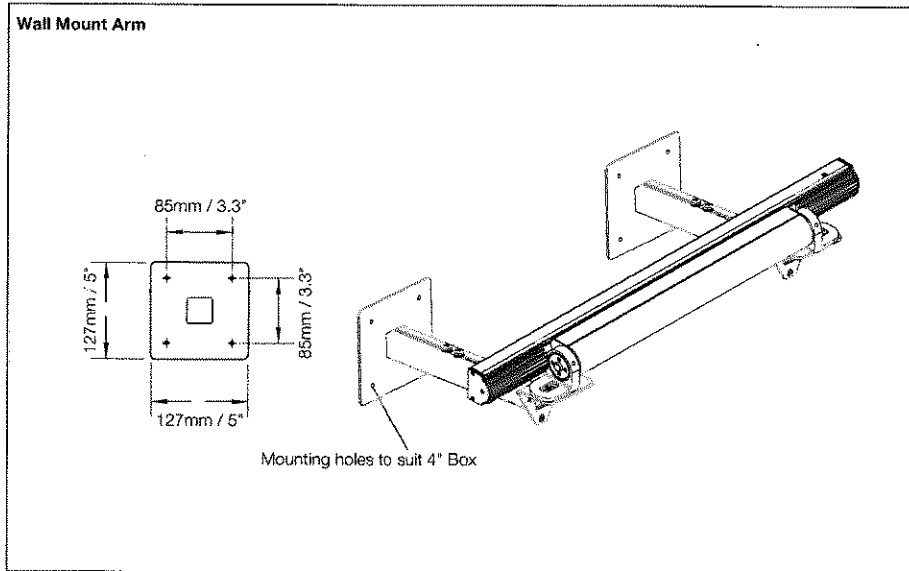
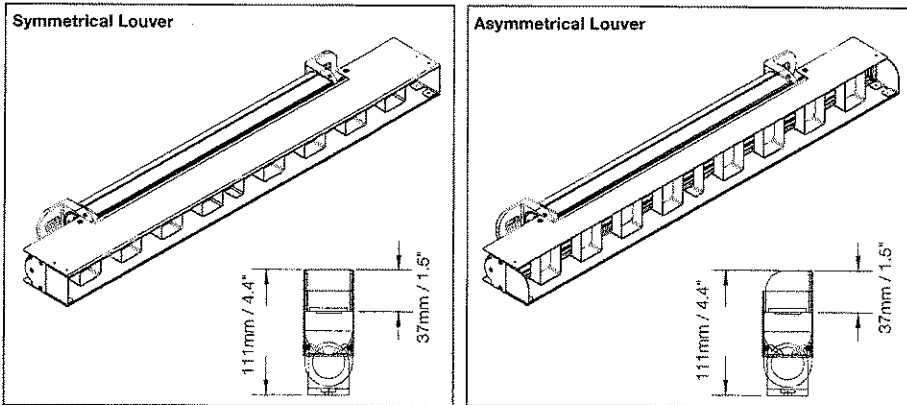
7 of 8



Nano Liner Allegro AC XB

Accessories

Accessories - Mounting



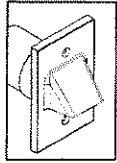
AN OSRAM BUSINESS

©2015 TRAXON TECHNOLOGIES - AN OSRAM BUSINESS. ALL RIGHTS RESERVED. TRAXON™, TX CONNECT® ARE TRADEMARKS OF TRAXON TECHNOLOGIES. U.S. PATENTS, E.U. PATENTS, JAPAN PATENTS, OTHER PATENTS PENDING. SPECIFICATIONS ARE SUBJECT TO CHANGE WITHOUT NOTICE.

Product / Versión: 00000000

0015 v1.4

8 of 8



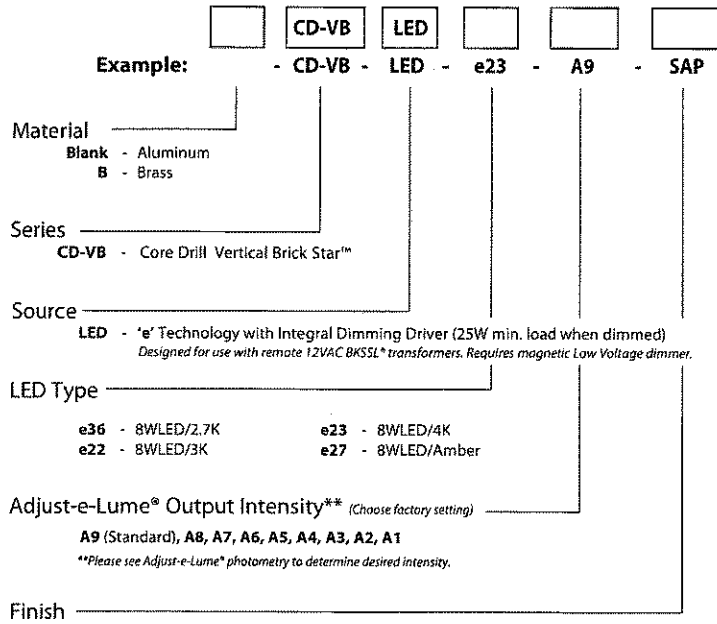
BKSSL
SOLID STATE LIGHTING



NEOCH CORE DRILL VERTICAL BRICK STAR™

PROJECT:	
TYPE:	
CATALOG NUMBER:	
SOURCE:	
NOTES:	

CATALOG NUMBER LOGIC



Aluminum Finish			Brass Finish		Premium Finish		
Powder Coat Color	Satin	Wrinkle	Machined	MAC	ABP	CMG	RMG
Bronze	BZP	BZW	Polished	POL	AMG	CRI	SDS
Black	BLP	BLW	Mitique™	MIT	AQW	CRM	SMG
White (Gloss)	WHP	WHW			BCM	HUG	TXF
Aluminum	SAP	---			BGE	MDS	WCP
Verde	---	VER			BPP	NBP	WIR
					CAP	OCP	<i>Also available in RAL Finishes See submittal SUB-1439-00</i>

DRIVER DATA	Input Volts	InRush Current	Dimmable	Operation Ambient Temperature
	12VAC/DC 50/60Hz	<1A (non-dimmed)	Magnetic Low Voltage Dimmer	-10°F-130°F

LM79 DATA

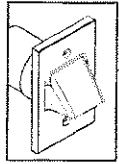
BK No.	CCT (Typ.)	Input Watts (Typ.)	CRI (Typ.)
e36	2700K	8.4	90
e22	3100K	8.4	90
e23	4100K	8.4	75
e27	Amber (590nm)	7.9	---

L70 DATA

Minimum Rated Life (hrs.) 70% of initial lumens (L70)
50,000
50,000
50,000
50,000

B-K LIGHTING	40429 Brickyard Drive • Madera, CA 93636 • USA	RELEASED	DRAWING NUMBER
	559.438.5800 • FAX 559.438.5900 www.bklighting.com • info@bklighting.com	03-11-15	SUB001025

THIS DOCUMENT CONTAINS PROPRIETARY INFORMATION OF B-K LIGHTING, INC. AND ITS RECEIPT OR POSSESSION DOES NOT CONVEY ANY RIGHTS TO REPRODUCE, DISCLOSE ITS CONTENTS, OR TO MANUFACTURE, USE OR SELL ANYTHING IT MAY DESCRIBE. REPRODUCTION, DISCLOSURE OR USE WITHOUT SPECIFIC WRITTEN AUTHORIZATION OF B-K LIGHTING, INC. IS STRICTLY FORBIDDEN.



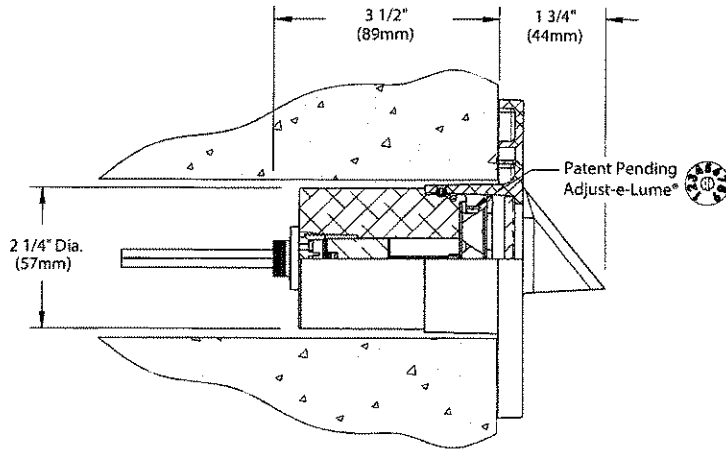
BKSSL
SOLID STATE LIGHTING



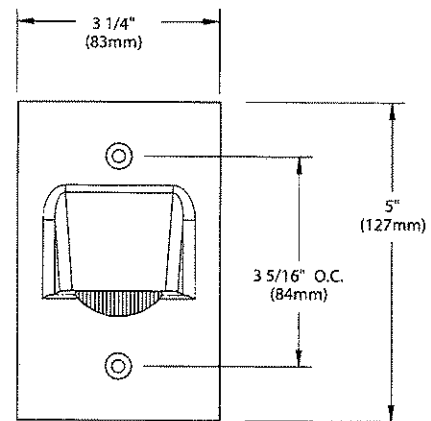
CORE DRILL VERTICAL BRICK STAR™

PROJECT:	
TYPE:	

SIDE VIEW



FACEPLATE DETAIL



Accessories (Configure separately)

Remote options:



TR Series



UPMRM™

All dimensions indicated on this submittal are nominal. Contact Technical Sales if you require more stringent specifications.

SPECIFICATIONS

GreenSource Initiative™

Metal and packaging components are made from recycled materials. Manufactured using renewable solar energy, produced on site. Returnable to manufacturer at end of life to ensure cradle-to-cradle handling. Packaging contains no chlorofluorocarbons (CFC's). Use of this product may qualify for GreenSource efficacy and recycling rebate(s). Consult www.bklighting.com/greensource for program requirements.

Materials

Furnished in Copper-Free Aluminum (Type 360) or Brass (Type 360).

Core Drill

Allows for mounting into existing structures that will not easily accept a standard box. 2-1/2" dia. hole required for slip fit.

Body

Fully machined from solid billet. Unibody design provides enclosed, water-proof wireway and integral heat sink for maximum component life. High temperature, silicone 'O' Ring provides water-tight seal. Provided with hard-coat (Type III) black anodize finish for maximum corrosion resistance. Weather-tight cable connector with 5'0," 18Ga., 2 wire low voltage cable.

Faceplate

Cast construction with machined finish. Countersunk holes provide for flush hardware mounting (by others).

Lens

Shock resistant, tempered, glass lens is factory adhered to faceplate and provides hermetically sealed optical compartment.

BKSSL®

Integrated solid state system with 'e' technology is scalable for field upgrade. Modular design with electrical quick disconnects permit field maintenance. High power, forward throw source complies with ANSI C78.377 binning requirements. Exceeds ENERGY STAR® lumen maintenance requirements. LM-80 certified components.

Integral, constant current driver. 12VAC/VDC input. 50/60Hz. Proprietary input control scheme achieves power factor correction and eliminates inrush current. Output, over-voltage, open-circuit, and short circuit protected. Inrush current limited to <1A (non-dimming). Conforms to Safety Std. C22.2 No. 250.13-12.

Line dimmable. For use with low voltage dimmer with dedicated neutral conductor. Minimum 25 watt load required for dimming.

Optics and Cutoff

Rectilinear design provides wide lateral distribution and long forward throw. 90° optical cutoff for mounting heights well below typical visual glare angles.

Adjust-e-Lume® (Pat. Pending)

Integral electronics allows dynamic lumen response at the individual fixture. Indexed (100% to 25% nom.) lumen output. Maintains output at desired level or may be changed as conditions require. Specify factory preset output intensity.

Remote Transformer

For use with 12VAC remote transformer or magnetic transformers only. B-K Lighting cannot guarantee performance with third party manufacturers' transformers.

Wiring

Teflon® coated, 18AWG, 600V, 250° C rated and certified to UL 1659 standard.

Hardware

Tamper-resistant, stainless steel fixture hardware. Mounting hardware by others.

Finish

StarGuard®, our exclusive RoHS compliant, 15 stage chromate-free process cleans and conversion coats aluminum components prior to application of Class 'A' TGIC polyester powder coating. Brass components are available in powder coat or handcrafted metal finish.

Warranty

5 year limited warranty.

Certification and Listing

ITL tested to IESNA LM-79. Lighting Facts Registration per USDOE (www.lightingfacts.com). ETL Listed to ANSI/UL Standard 1838 and UL Standard 8750 and Certified to CAN/CSA C22.2 No. 9, CSA TIL B-58B. RoHS compliant. Suitable for indoor or outdoor use. Suitable for installation in combustible materials (Type Non-IC). Suitable for use in wet locations. Suitable for installation within 4' of the ground. IP65 Rated. Made in USA.



*Teflon is a registered trademark of DuPont Corporation.

*Energy Star is a registered trademark of the United States Environmental Protection Agency.

B-K LIGHTING	40429 Brickyard Drive • Madera, CA 93636 • USA 559.438.5800 • FAX 559.438.5900 www.bklighting.com • info@bklighting.com	RELEASED 03-11-15	DRAWING NUMBER SUB001025
	<p style="text-align: right;">Type N</p>		