

CASCO BAY

TUG BOAT AREA

CONCRETE

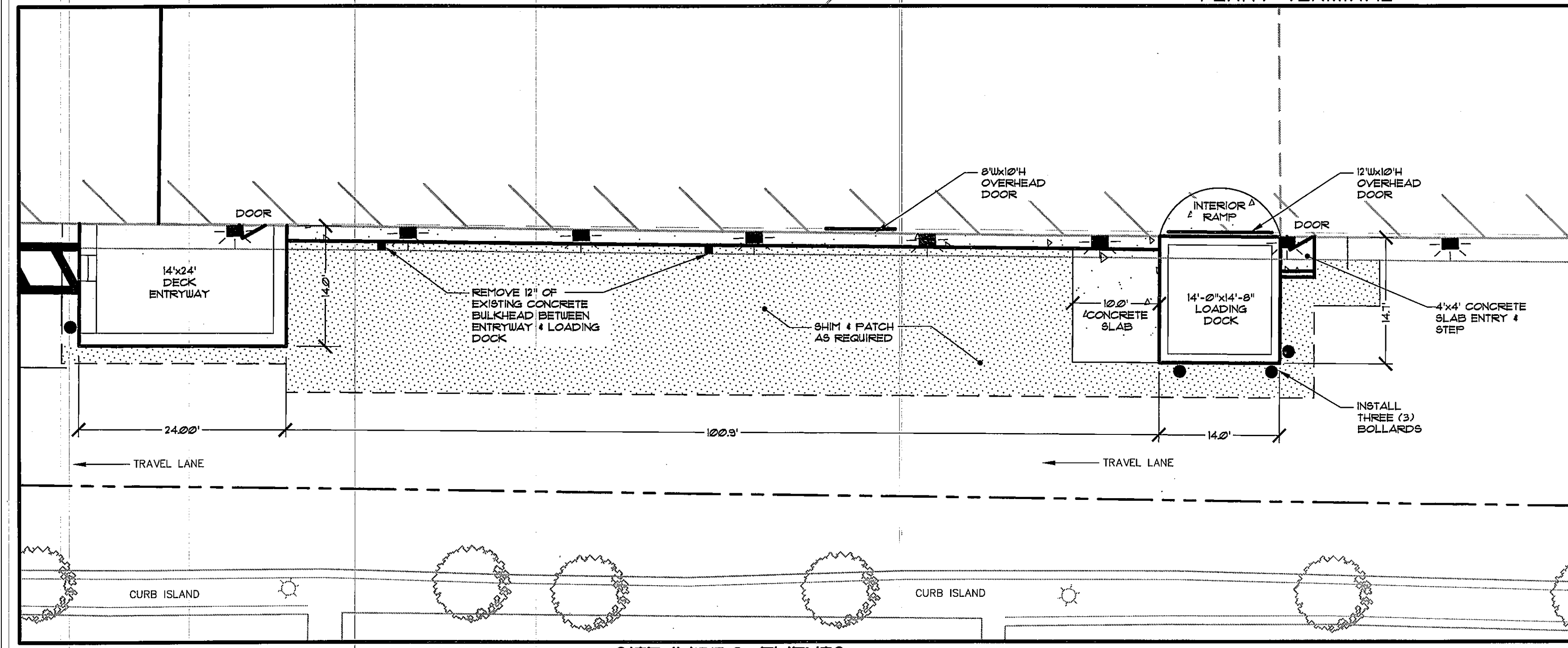
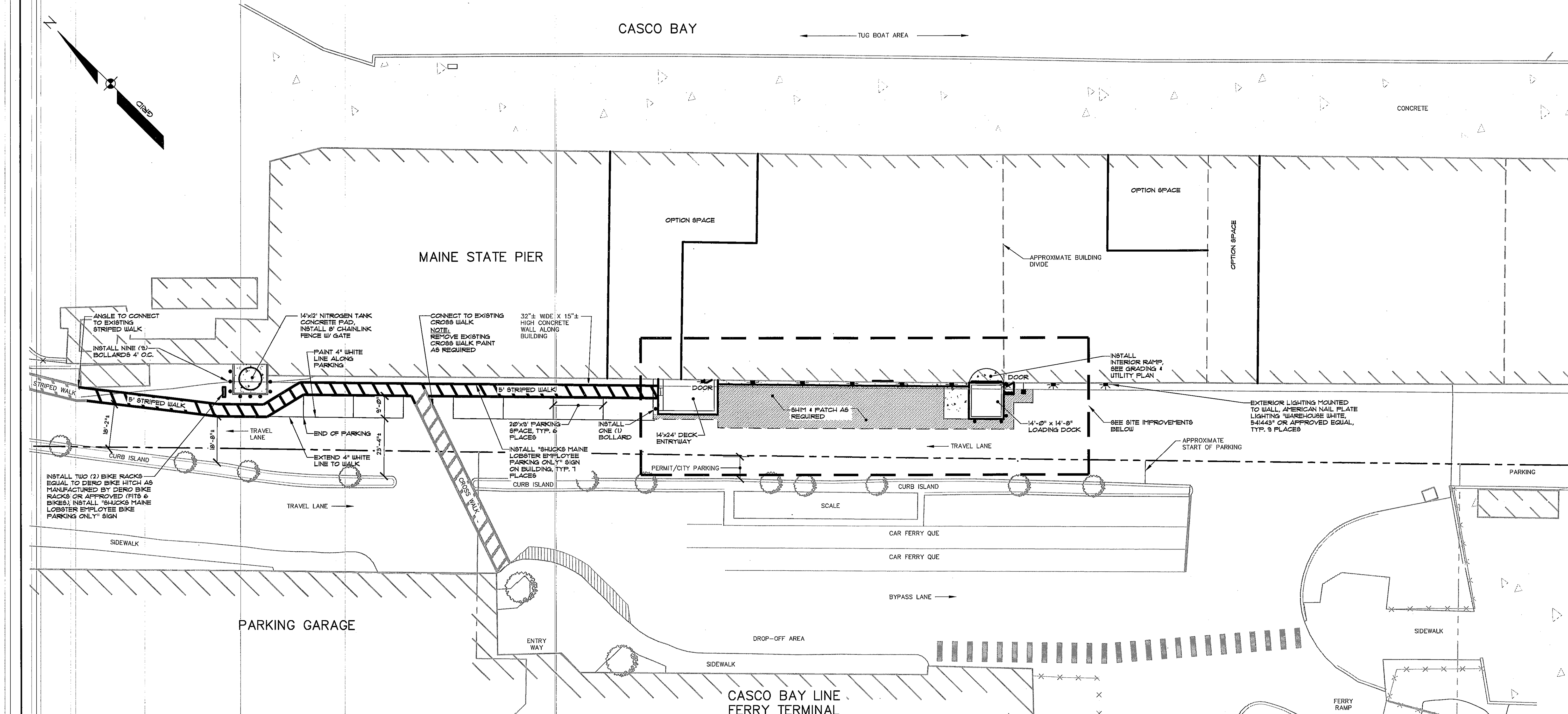
MAINE STATE PIER

OPTION SPACE

OPTION SPACE

OPTION SPACE

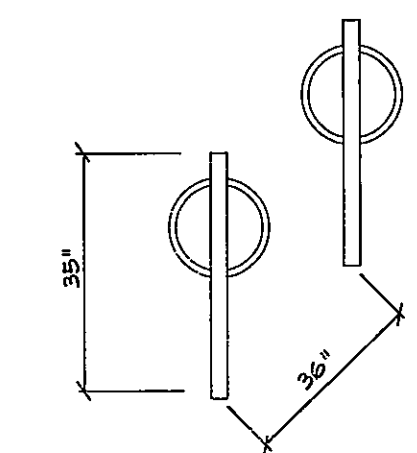
APPROXIMATE BUILDING DIVIDE



SITE IMPROVEMENTS SCALE: 1"=10'

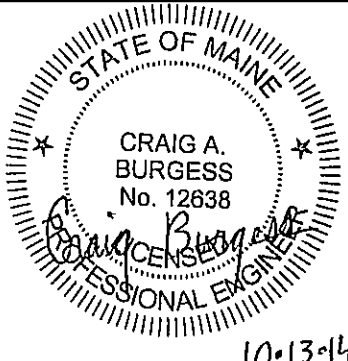
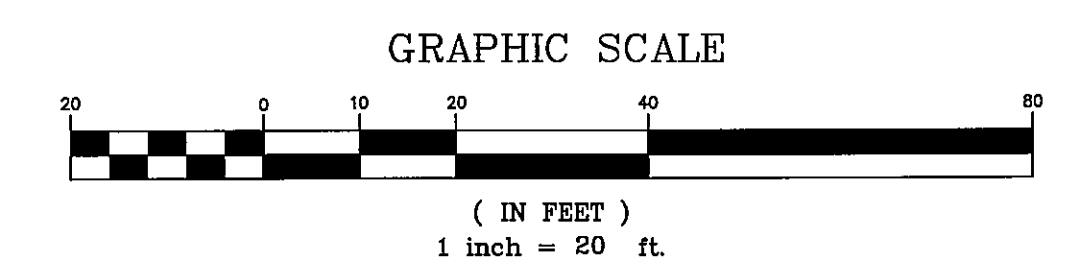
LEGEND

EXISTING	DESCRIPTION	PROPOSED
---	BOUNDARY LINE/ROW	---
---	ABUTTER LINE/ROW	---
---	EASEMENT	---
---	ZONE LINE	---
---	BENCHMARK	---
---	BUILDING	---
---	SIGN	---
---	EDGE PAVEMENT	---
---	EDGE CONCRETE	---
---	PAVEMENT PAINT	---
---	GRAVEL ROAD	---
---	CURBLINE	---
---	EDGE WATER	---
---	TREELINE	---
---	TREE	---
---	FENCE	---
---	RETAINING WALL	---
---	GUARDRAIL	---
---	BOLLARD	---



- NOTES:
1. BIKE RACK SHALL EQUAL DERO BIKE HITCH AS MANUFACTURED BY DERO BIKE RACKS. INSTALL BIKE RACKS AS RECOMMENDED BY THE MANUFACTURER AND AS PROVIDED IN I-33A AND I-33B, SECTION I OF THE CITY OF PORTLAND'S TECHNICAL DESIGN MANUAL.
 2. INSTALL BIKE RACKS MINIMUM 36" FROM DECK ENTRYWAY AND 24" FROM SIDE OF MAINE STATE PIER BUILDING.
 3. DISTANCE BETWEEN RACKS SHALL BE 36" AS SHOWN IN THE DETAIL.

BICYCLE RACK NOT TO SCALE



REV.	BY:	DATE:	STATUS:
E	OAM	10-13-14	REMOVED LOADING DOCK RAMP & RETAINING WALL
D	OAM	05-16-14	ADJUSTED STRIPED WALK & PARKING AREAS ALONG BUILDING
C	OAM	05-08-14	ADDED PARKING SPACES, ADJUSTED STRIPED WALK & REVISED TANK LOCATION
B	OAM	05-08-14	ADDED CROSSWALK, BOLLARDS AT NITROGEN TANK PAD AREA & BICYCLE RACK
A	OAM	03-20-14	SUBMITTED FOR CITY SITE PLAN APPROVAL

THIS PLAN SHALL NOT BE MODIFIED WITHOUT WRITTEN PERMISSION FROM SEBAGO TECHNICALS, INC. ANY ALTERATIONS, AUTHORIZED OR OTHERWISE, SHALL BEAT THE USER'S SOLE RISK AND WITHOUT LIABILITY TO SEBAGO TECHNICALS, INC.

SEBAGO
 TECHNICALS, INC.
 WWW.SEBOGOTECHNICALS.COM
 75 John B. Roberts Rd., Suite B
 South Portland, ME 04106
 Tel: 207-883-6555

PROJECT NO. 13430
 FIELD BOOK DESIGN CHKD DRAWN
 JOAMICAB OAM CAB

SITE PLAN
 OF:
MAINE STATE PIER PROCESSING FACILITY
 COMMERCIAL STREET
 PORTLAND, MAINE 04101
 FOR:
SHUCKS MAINE LOBSTER
 65 MAIN STREET
 RICHMOND, ME 04357

DATE	SCALE
03-20-14	1"=20'