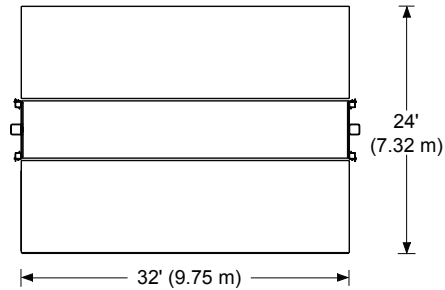




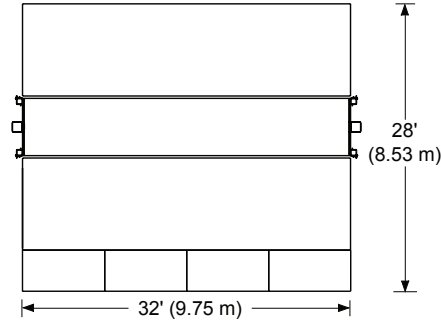
700 Marsolais Street
 L'Assomption, Quebec
 Canada J5W 2G9
 Tel: (450) 589-1063
 or 1-800-267-8243
 Téléc. : (450) 589-1711
 Fax: (450) 589-1711
 info@stageline.com

Stageline SL 260

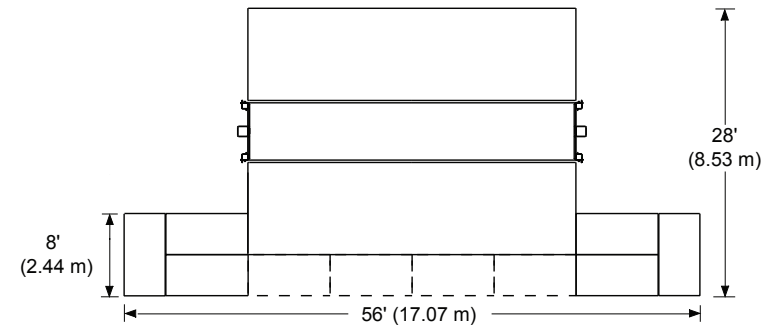
Standard



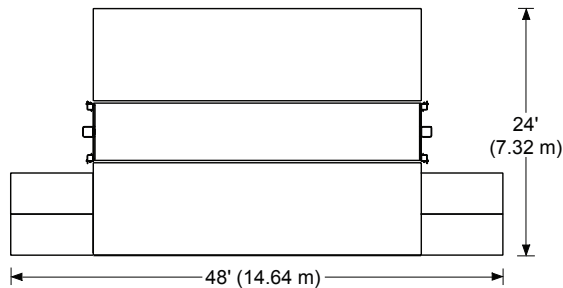
Downstage Upgrade Package D
 32' x 28'



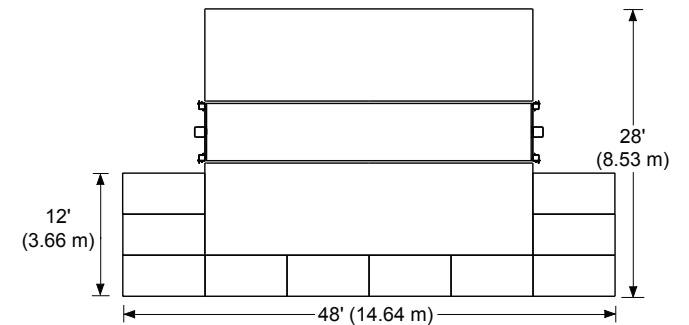
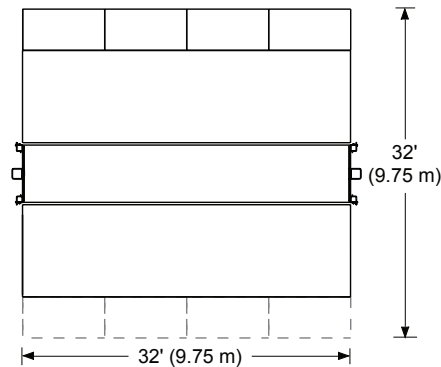
Other Available Configurations



Sound Wing Deck Package B



Upstage Upgrade Package E
 32' x 32'



= 4' x 8' (1.22 m x 2.44 m)

N.B. One guardrail per 4' (1.22 m)

Extension Platform Layouts