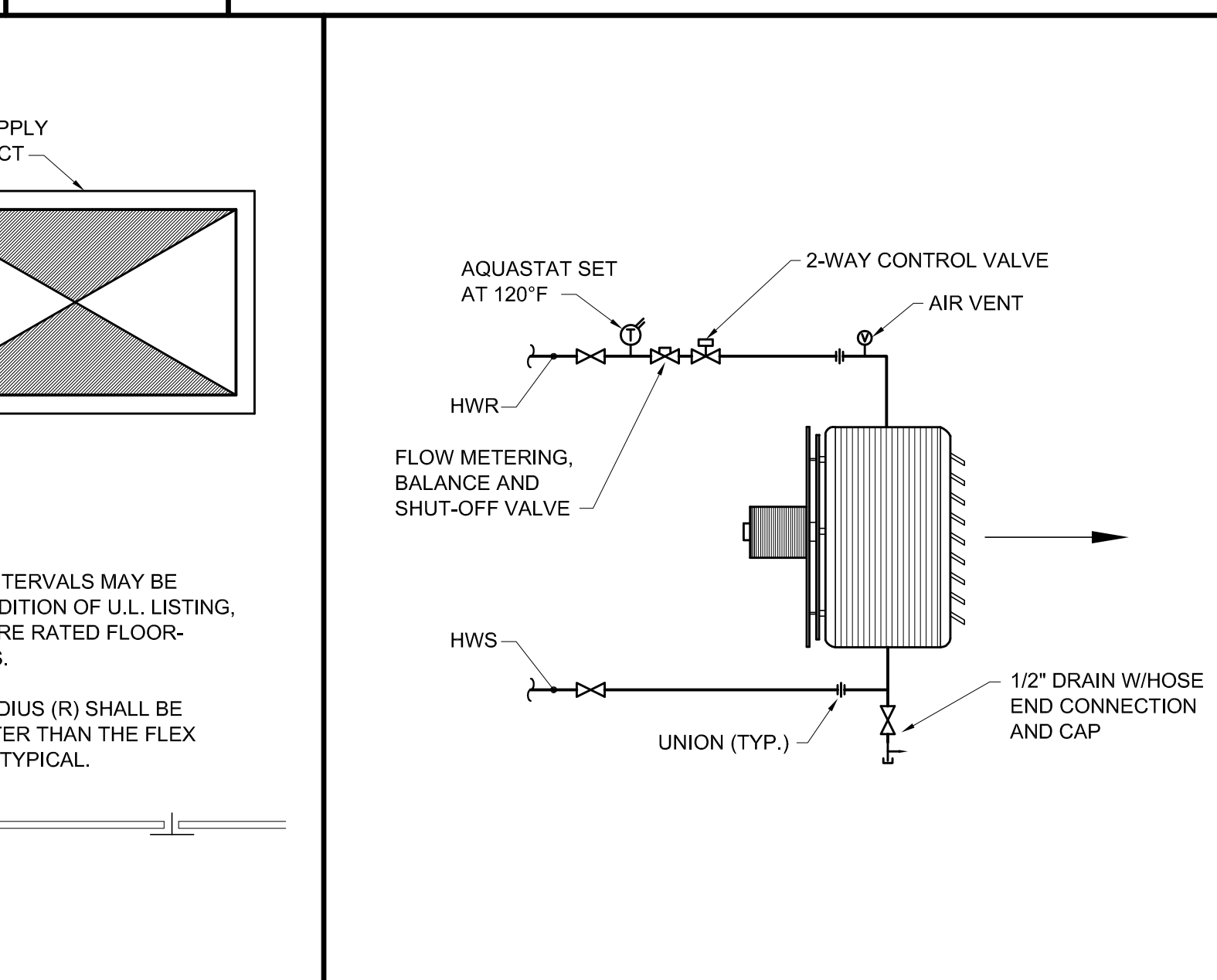
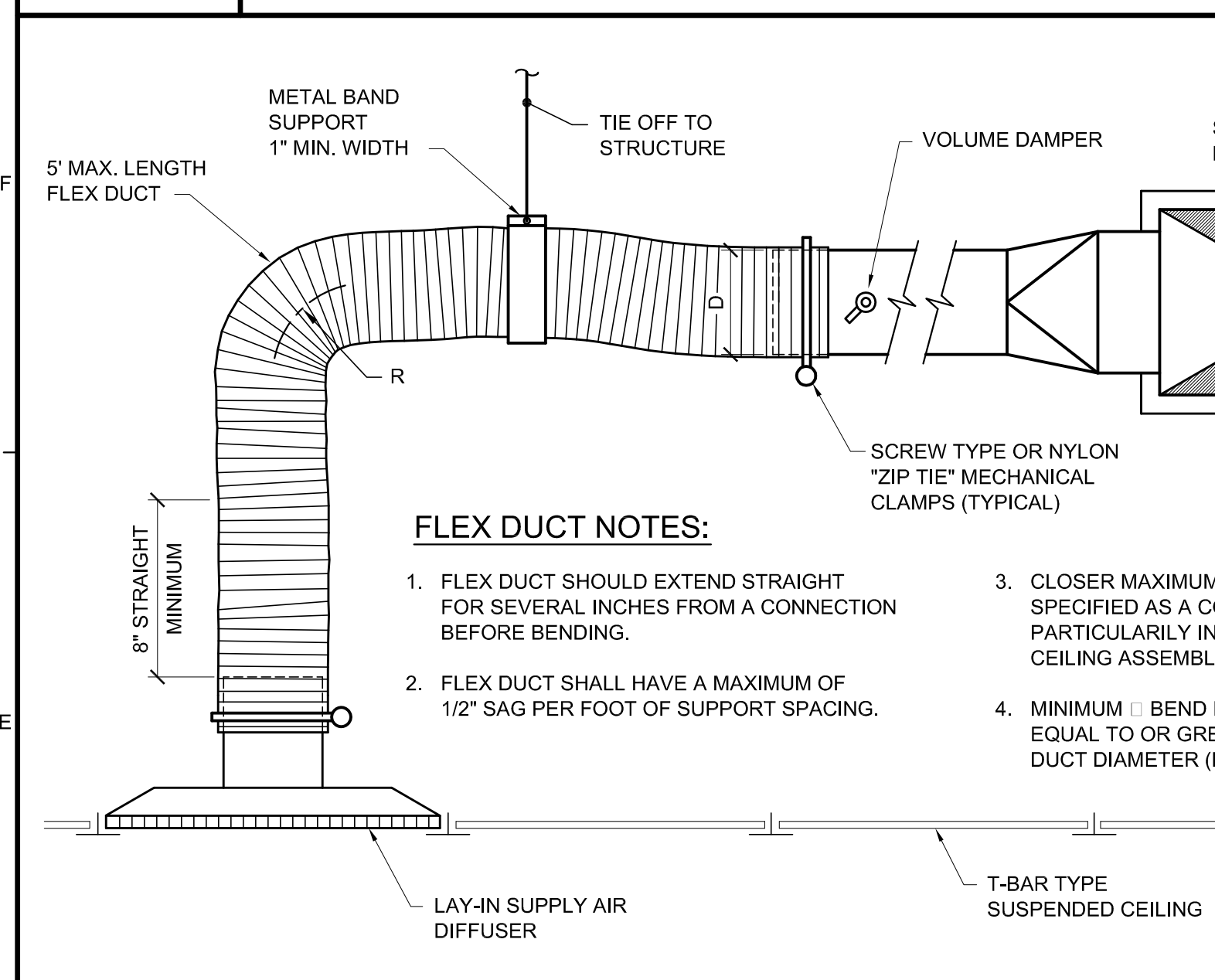


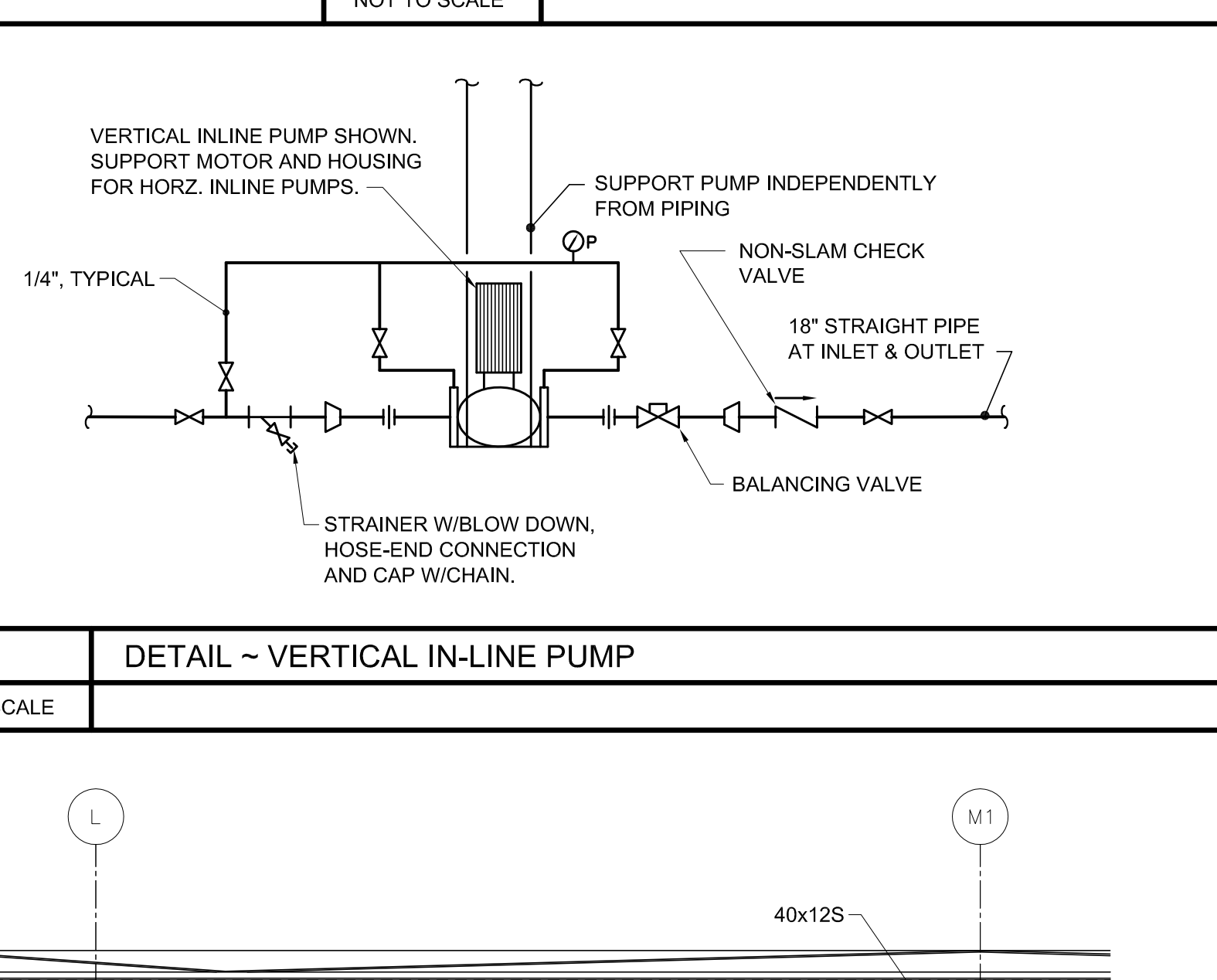
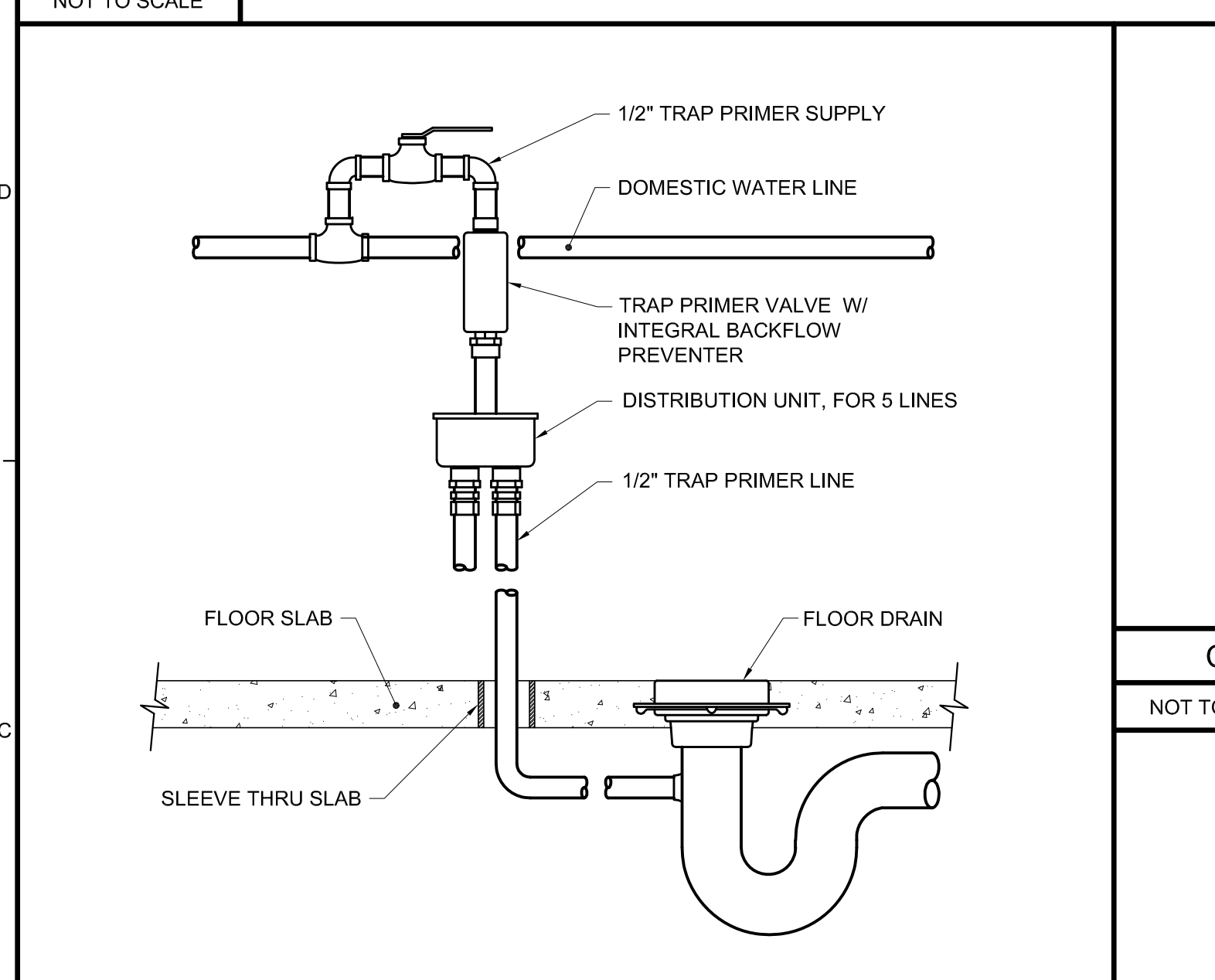
G1 DETAIL ~ RETURN AIR REGISTER BOOT  
NOT TO SCALE

G3 DETAIL ~ EXTERIOR LOUVER  
NOT TO SCALE



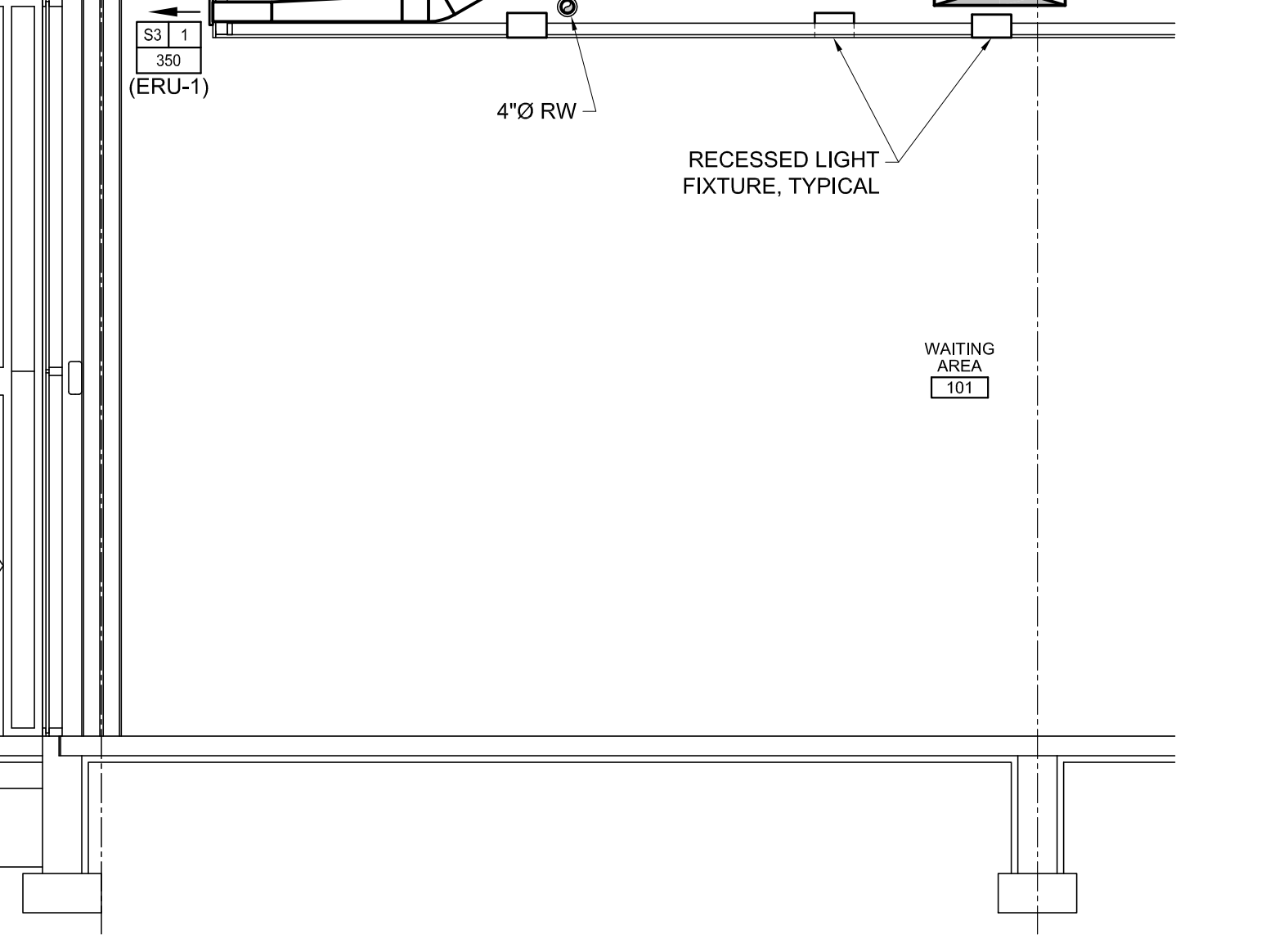
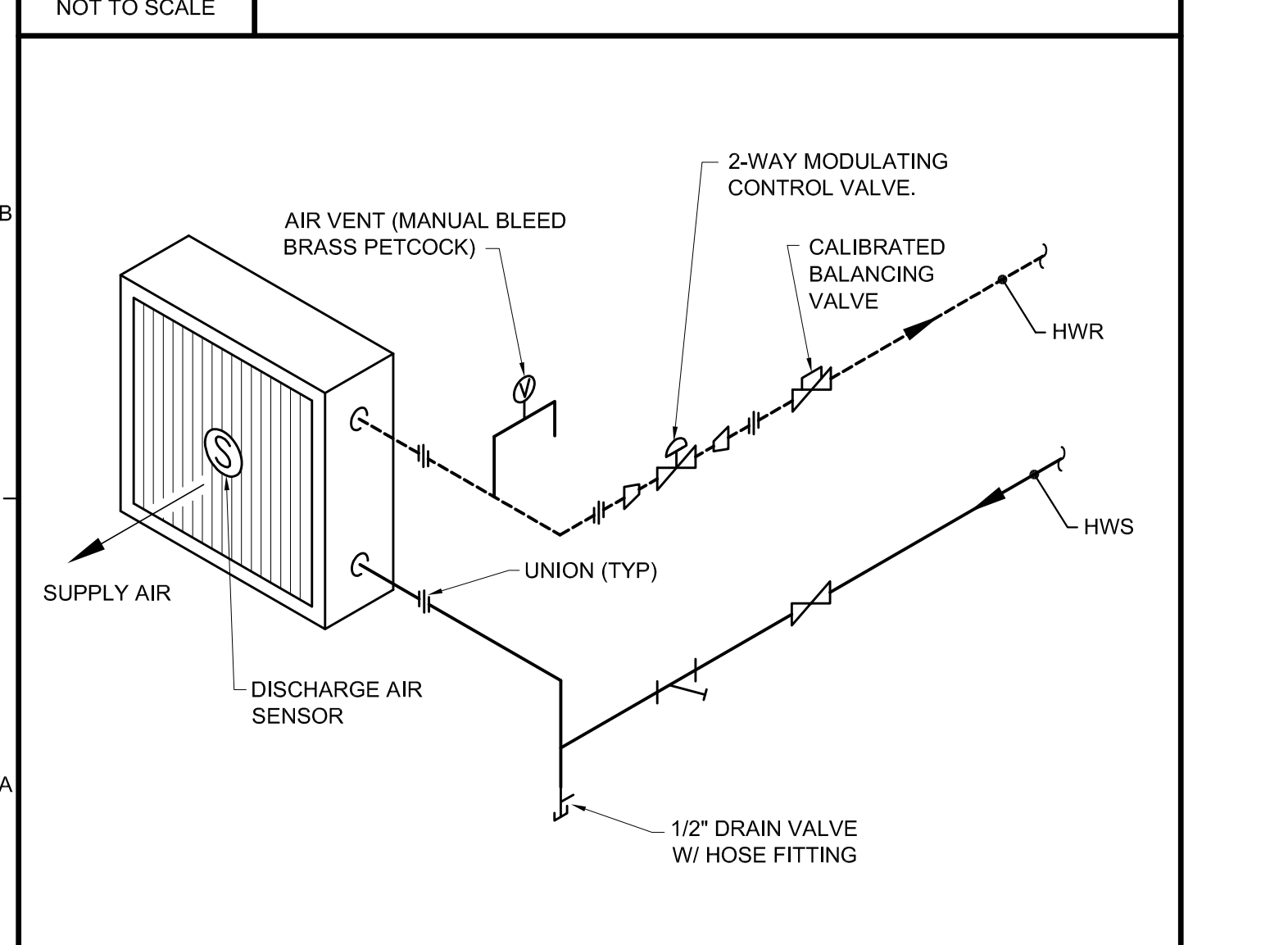
E1 DETAIL ~ SUPPLY AIR BRANCH CONNECTION  
NOT TO SCALE

E4 DETAIL ~ UNIT HEATER PIPING  
NOT TO SCALE



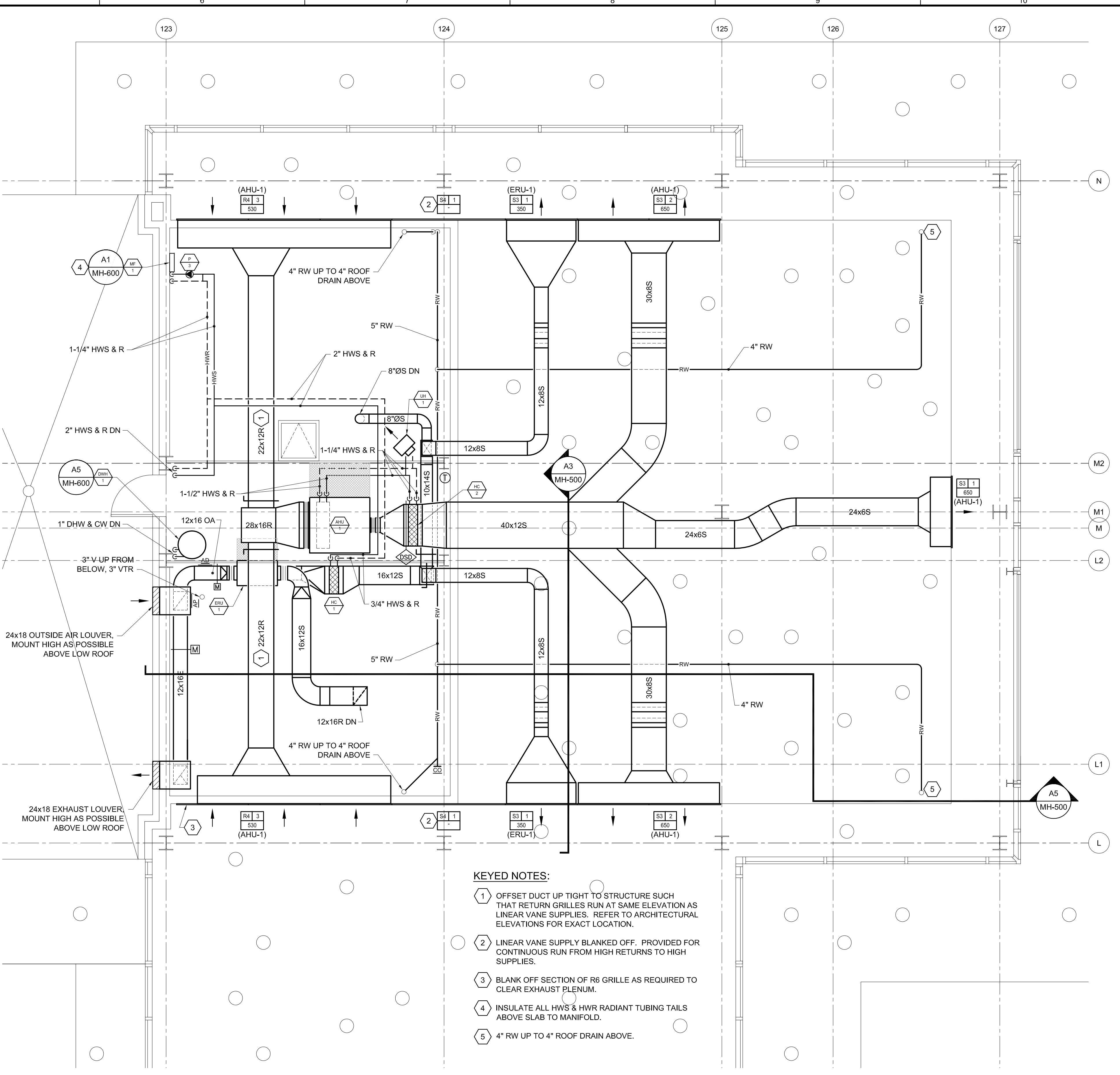
C1 DETAIL ~ TRAP PRIMER PIPING  
NOT TO SCALE

C3 DETAIL ~ VERTICAL IN-LINE PUMP  
NOT TO SCALE

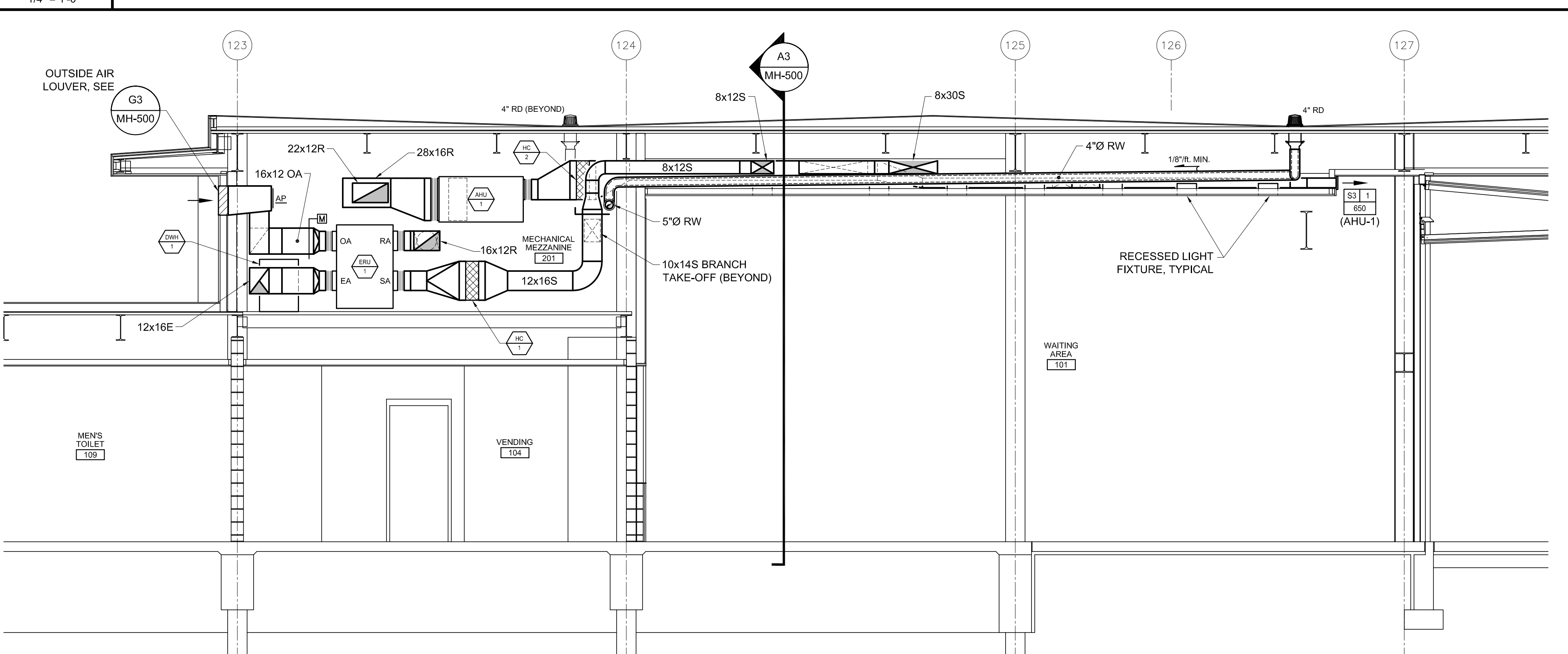


A1 DETAIL ~ DUCT HEATING COIL - AHU-1  
NOT TO SCALE

A3 DETAIL ~ MECHANICAL SECTION  
1/4\"/>



C5 DETAIL ~ MECHANICAL MEZZANINE - UPPER DUCTWORK  
1/4\"/>



A5 DETAIL ~ MECHANICAL SECTION  
1/4\"/>

- KEYED NOTES:**
- OFFSET DUCT UP TIGHT TO STRUCTURE SUCH THAT RETURN GRILLES RUN AT SAME ELEVATION AS LINEAR VANE SUPPLIES. REFER TO ARCHITECTURAL ELEVATIONS FOR EXACT LOCATION.
  - LINEAR VANE SUPPLY BLANKED OFF. PROVIDED FOR CONTINUOUS RUN FROM HIGH RETURNS TO HIGH SUPPLIES.
  - BLANK OFF SECTION OF R6 GRILLE AS REQUIRED TO CLEAR EXHAUST PLENUM.
  - INSULATE ALL HWS & HWR RADIANT TUBING TAILS ABOVE SLAB TO MANIFOLD.
  - 4\"/>

N:\Projects\2017\12008 - Casco Bay Ferry Terminal\01 Drawing Files\12008.dwg May 13, 2013 - 8:16am

**Allied Engineering**  
Structural Mechanical  
Electrical Commissioning

160 Veranda Street  
Portland, Maine 04103  
T: 207.221.2260  
F: 207.221.2266  
Web: www.allied-eng.com

SSA  
Scott Simons Architects  
75 York Street, Portland, Maine 04101  
www.simonsarchitects.com  
207.772.4656

PROJECT NAME:  
**CASCO BAY FERRY TERMINAL**  
RENOVATIONS & ADDITIONS  
56 COMMERCIAL STREET  
PORTLAND, MAINE 04101

SEAL:

THIS DRAWING IS THE PROPERTY OF SCOTT SIMONS ARCHITECTS (SSA) AND IS NOT TO BE COPIED OR REPRODUCED IN PART OR WHOLE.  
2012 © SCOTT SIMONS ARCHITECTS, LLC

REVISION:

1	DATE
2	DATE
3	DATE
4	DATE
5	DATE
6	DATE

DATE OF ISSUE: MAY 14, 2013  
PROJECT NUMBER: 2011-0270  
STATUS: ISSUED FOR BIDDING

**MECHANICAL DETAILS**

**MH-500**

2008 © Scott Simons Architects LLC