

SERIES ET70WP WEATHERPROOF SPEAKER STROBE

DESCRIPTION

Wheelock's Weatherproof Low Profile Speaker Strobe, Series ET70WP appliances for wall and ceiling mounting have an **extended temperature range of -31°F to 150°F (-35°C to 66°C)** that will satisfy virtually all outdoor and severe environment applications.

The Wheelock Weatherproof Speaker Strobe is designed for maximum performance, reliability, and cost effectiveness while meeting or exceeding the latest requirements of NFPA 72 (*National Fire Alarm Code*), UL Standard 1638 (Standard for Visual Signaling Appliances), and UL Standard 1480 (Standard for Speaker Appliances).


The strobe has a 75 candela intensity on axis at -31°F (-35°C) and 180cd at 77°F (25°C) with low current draw. For outdoor applications the ET70WP-2475W-FR must be wall mounted to a Weatherproof Back Box (IOB). The speakers are designed for multiple power requirements with high dBA output at each power tap. The low profile model offers a choice of field selectable taps, 1/8W to 8W for either 25.0 VRMS or 70.0 VRMS audio systems. The low profile design incorporates a high efficiency speaker for maximum output at minimum power across a frequency range of 400 Hz to 4000 Hz and features a sealed back construction for extra protection and improved audibility. The low profile speaker strobes can provide non-synchronized operation when directly connected to the Fire Alarm Control Panel, or synchronized strobe operation when used in conjunction with a Wheelock Sync Module (SM), Dual Sync Module (DSM), or Wheelock Power Supplies (PS-12/24-8CP and PS-12/24-8MP) with built-in patented sync protocol. The strobes use a Xenon flashtube with solid state circuitry enclosed in a rugged Lexan lens to provide maximum visibility and reliability for effective visible signaling.



SERIES ET70WP
Mounted to IOB-R

FEATURES

- Approvals include: UL Standard 1638, UL Standard 1480, California State Fire Marshal (CSFM), and New York City (MEA) Pending: Factory Mutual (FM) and Chicago (BFP)
- Designed to meet or exceed NFPA/UFC/ANSI 117.1/ OSHA Part 29, 1910.165, and ADA requirements.
- UL Standard 1638 and UL Standard 464 listed with extended temperature range of -31°F to 150°F (-35°C to 66°C)
- 24 VDC with new UL "Regulated" Voltage Range: 16-33 VDC using filtered DC or unfiltered FWR voltage
- Sync/Non-Sync strobe. Synchronize strobe with Series SM, DSM Sync Modules or PS-12/24-8CP and PS-12/24-8MP Power Supplies with built-in patented sync protocol
- IN and OUT wiring termination that accepts two #12-18 AWG wires at each terminal
- Inputs are polarized for compatibility with industry standard reverse polarity supervision

NOTE: All CAUTIONS and WARNINGS are identified by the symbol  All WARNINGS are printed in bold capital letters.
▲WARNING: PLEASE READ THESE SPECIFICATIONS AND ASSOCIATED INSTALLATION INSTRUCTIONS CAREFULLY BEFORE USING, SPECIFYING OR APPLYING THIS PRODUCT. FAILURE TO COMPLY WITH ANY OF THESE INSTUCTIONS, CAUTIONS, OR WARNINGS COULD RESULT IN IMPROPER APPLICATION, INSTALLATION, AND/OR OPERATION OF THESE PRODUCTS IN AN EMERGENCY SITUATION, WHICH COULD RESULT IN PROPERTY DAMAGE, AND SERIOUS INJURY OR DEATH TO YOU AND/OR OTHERS.

General Notes:

- Wheelock UL 1638 Strobes are designed to produce 30-62 flashes per minute over the Regulated Voltage Range. If used in an indoor application, UL 1638 strobes must be operated at a minimum of 20 VDC to meet the NFPA-72 (1999) flash rate of 1 to 2 flashes pers second and ADA Guideline flash rate of 1 to 3 flashes per second.
- Wheelock Weatherproof Appliances are designed to operate over an extended temperature range of -31°F to 150°F (-35°C to 66°C) and all candela ratings represent minimum effective strobe intensity based on UL 1638. Maximum humidity of 93% RH ± 2%.
- **“Regulated Voltage Range” is the newest terminology used by UL to identify the voltage range. Prior to this change, UL used the terminology “Listed Voltage Range”.**

Table 1: UL Listed Model and Rating - Speaker

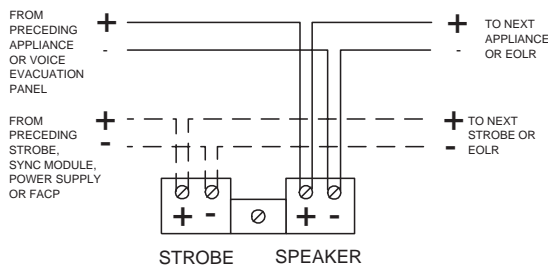
Model	Reverberant dBA @ 10 feet (UL 1480) Rated Watts								Anechoic dBA @ 10 feet @ 1 kHz Rated Watts							
	Voltage (VRMS)	1/8	1/4	1/2	1	2	4	8	1/8	1/4	1/2	1	2	4	8	
ET70WP-2475W	25/70	77	80	83	86	88	91	93	78	81	84	87	90	92	95	
ET70WP-2475C	25/70	77	80	83	86	88	91	93	78	81	84	87	90	92	95	

Table 2: UL Listed Model and Candela Strobe Rating

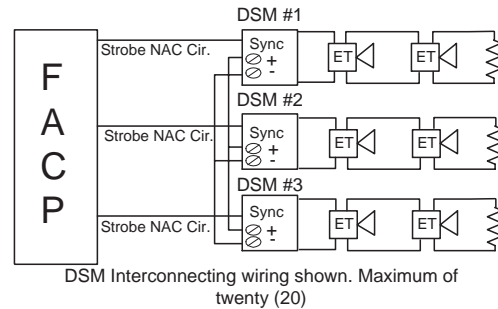
Voltage	*Rated Average Current	Rated Strobe Candela (cd)	
		@ 77°F (25°C)	@ -31°F (-35°C)
24.0 VDC	0.094	180cd	75cd
UL Max*	0.138		

* RMS current ratings are per UL average RMS method. UL max current rating is the maximum RMS current within the listed voltage range (16-33v for 24v units). For strobes the UL max current is usually at the minimum listed voltage (16v for 24v units). For audibles the max current is usually at the maximum listed voltage (33v for 24v units). For unfiltered FWR ratings, see installation instructions.

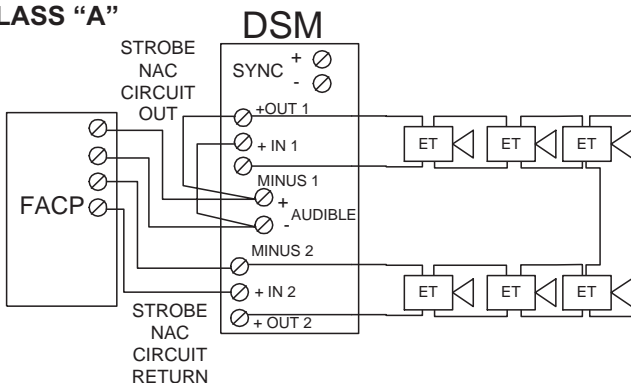
SERIES ETWP SPEAKER & STROBE OPERATE INDEPENDENTLY (NON-SYNC OR SYNC)



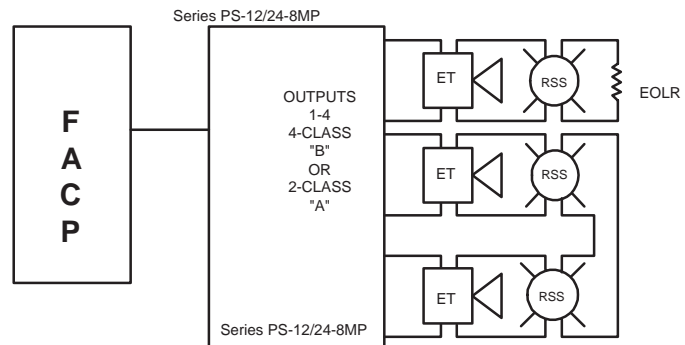
SERIES ETWP SPEAKER STROBES SYNCHRONIZED W/MULTIPLE DSM MODULES



SERIES ETWP SPEAKER STROBE APPLIANCES SYNCHRONIZED W/DSM MODULE SINGLE CLASS “A”



SERIES ETWP SPEAKER STROBE APPLIANCES & RSS STROBES SYNCHRONIZED W/PS-12/24-8CP and PS-12/24-8MP



▲WARNING: CONTACT WHEELLOCK FOR THE CURRENT “INSTALLATION INSTRUCTIONS” SHEET P84149 AND “GENERAL INFORMATION” SHEET (P82380) ON THIS PRODUCTS. THESE DOCUMENTS UNDERGO PERIODIC CHANGES. IT IS IMPORTANT THAT YOU HAVE CURRENT INFORMATION ON THESE PRODUCTS. THESE MATERIALS CONTAIN IMPORTANT INFORMATION THAT SHOULD BE READ PRIOR TO SPECIFYING OR INSTALLING THESE PRODUCTS, INCLUDING:

- **TOTAL CURRENT REQUIRED BY ALL APPLIANCES CONNECTED TO SYSTEM SECONDARY POWER SOURCES.**
- **FUSE RATINGS ON NOTIFICATION APPLIANCE CIRCUITS TO HANDLE PEAK CURRENTS FROM ALL APPLIANCES ON THOSE CIRCUITS.**
- **ADDING, REPLACING OR CHANGING APPLIANCES WILL EFFECT CURRENT DRAW. RECALCULATE CURRENT DRAW TO INSURE THAT THE TOTAL AVERAGE CURRENT AND TOTAL PEAK REQUIRED BY ALL APPLIANCES DO NOT EXCEED THE RATED CAPACITY OF THE POWER SOURCE OR FUSES**
- **COMPOSITE FLASH RATE FROM MULTIPLE STROBES WITHIN A PERSON’S FIELD OF VIEW.**
- **THE VOLTAGE APPLIED TO THESE PRODUCTS MUST BE WITHIN THEIR “REGULATED VOLTAGE RANGE”.**
- **USE STROBES ONLY ON CIRCUITS WITH CONTINUOUSLY APPLIED OPERATING VOLTAGE. DO NOT USE STROBES ON CODED OR INTERRUPTED CIRCUITS IN WHICH THE APPLIED VOLTAGE IS CYCLED ON AND OFF AS THE STROBE MAY NOT FLASH.**
- **FAILURE TO COMPLY WITH THE INSTALLATION INSTRUCTIONS OR GENERAL INFORMATION SHEETS COULD RESULT IN IMPROPER INSTALLATION, APPLICATION, AND/OR OPERATION OF THESE PRODUCTS IN AN EMERGENCY SITUATION, WHICH COULD RESULT IN PROPERTY DAMAGE AND SERIOUS INJURY OR DEATH TO YOU AND/OR OTHERS.**
- **CONDUCTOR SIZE (AWG), LENGTH AND AMPACITY SHOULD BE TAKEN INTO CONSIDERATION PRIOR TO DESIGN AND INSTALLATION OF THESE PRODUCTS, PARTICULARLY IN RETROFIT INSTALLATIONS.**

SPECIFICATIONS AND ORDERING INFORMATION

Model	Order Code	Non-Sync	Sync w/ SM, DSM or PS-12/24-8MP	Strobe cd @ -31°F (-35°C)	Strobe cd @ 77°F (25°C)	dBA	Input Voltage	Outdoor Mounting Options*
Speaker/Strobe								
ET70WP-2475W-FR	9077	Yes	Yes	75cd	*180cd	77-93	24	M
ET70WP-2475C-FR	4452	Yes	Yes	75cd	*180cd	77-93	24	M
ET70WP-2475C-FW	4454	Yes	Yes	75cd	*180cd	77-93	24	M
Back Boxes		USE WITH						
IOB-R	5046	ET70WP-2475W-FR	N/A	N/A	N/A	N/A	N/A	
Sync Modules and Power Supply								
SM-12/24-R	6369	No	Yes	N/A	N/A	N/A	12 or 24 VDC	W
DSM-12/24-R	6374	No	Yes	N/A	N/A	N/A	12 or 24 VDC	W
PS-12/24-8MP	3046	Yes	Yes	N/A	N/A	N/A	120/220 VAC	N/A
PS-12/24-8CP	3047	Yes	Yes	N/A	N/A	N/A	120/220 VAC	N/A

*Per UL 1638 @ 78°F (75cd @ -31°F).
N/A = Not applicable

ARCHITECTS AND ENGINEERS SPECIFICATIONS

WEATHERPROOF SERIES ET70WP

The Weatherproof Low Profile Speaker Strobe shall be Wheelock Series ET70WP for wall and ceiling applications or approved equal. The Series ET70WP shall meet and be listed for UL Standard 1638 (Standard for Visual Signaling Appliances) for Indoor/Outdoor use, Fire Protective Service and UL Standard 1480 (Standard for Speaker Appliances). The strobe portion of the ET70WP shall produce a flash rate of 30-62 flashes per minute over the Regulated Voltage Range of 16 to 33 VDC and shall incorporate a Xenon flashtube enclosed in a rugged Lexan lens to provide maximum visibility and reliability for effective visible signaling. The strobe shall be rated 180cd @ 77°F (25°C) and 75cd at -31°F (-35°C) and shall operate over an extended temperature range at -31°F to 150°F (-35°C to 66°C) and be listed for maximum humidity at 95% RH. For outdoor applications the ET70WP shall be wall mounted to a weatherproof back box (IOB). The speakers shall be designed for multiple power requirements with a high dBA output at each power tap. The low profile model shall offer a choice of field selectable taps, 1/8W to 8W for either 25.0 VRMS or 70.0 VRMS audio systems. The low profile design shall incorporate a high efficiency speaker for maximum output at minimum power across a frequency range of 400Hz to 4000Hz and features a sealed back construction for extra protection and improved audibility. When synchronization of the strobe is required, the strobe portion of the appliance shall be compatible with Wheelock's SM, DSM sync modules or Wheelock's PS-12/24-8CP and PS-12/24-8MP Power Supplies with built-in Patented Sync Protocol. If the sync module or syncprotocol in the Power Supply shall fail to operate (i.e., contacts remain closed), the strobe shall revert to a non-synchronized flash rate.

Due to continuous development of our products, specifications and offerings are subject to change without notice in accordance with Wheelock Inc. standard terms and conditions.

**WE ENCOURAGE AND SUPPORT NICET CERTIFICATION
MADE IN THE USA
3 YEAR WARRANTY**

**NATIONAL SALES OFFICE
800-631-2148**

Canada 800-397-5777
E-Mail: Info@wheelockinc.com
<http://www.wheelockinc.com>



Distributed By: