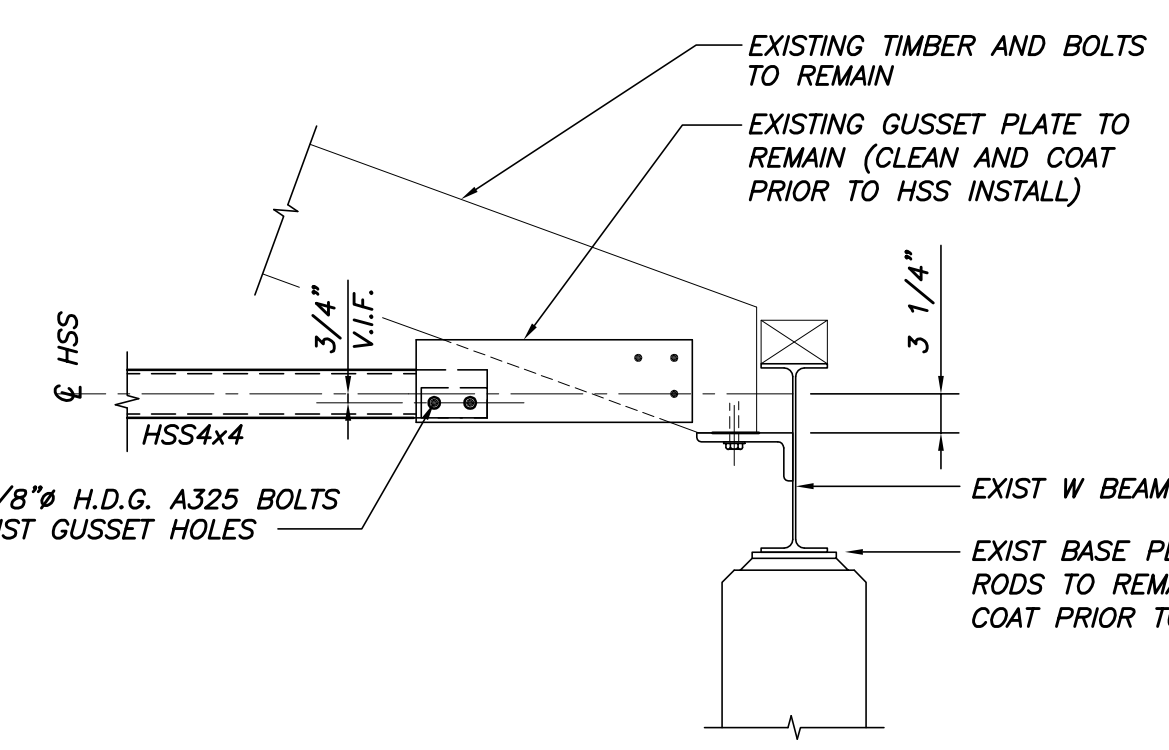
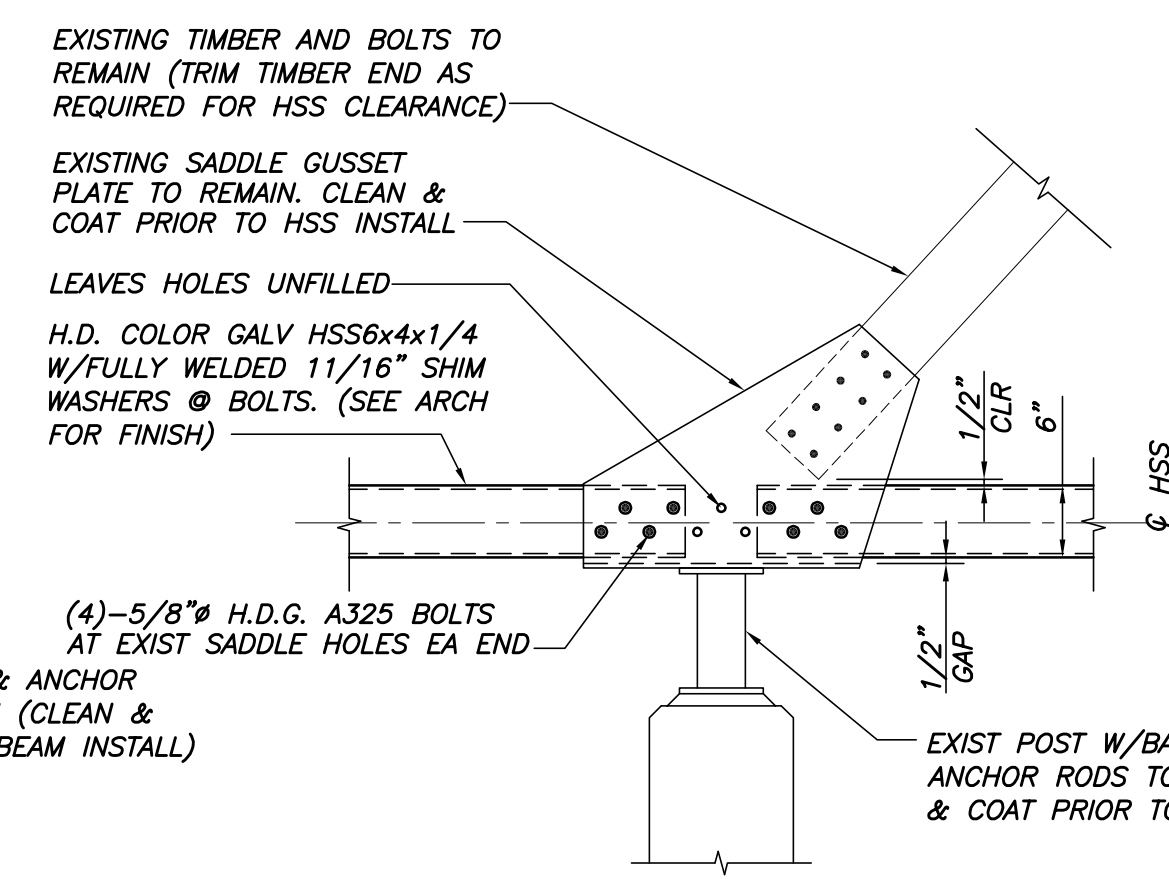


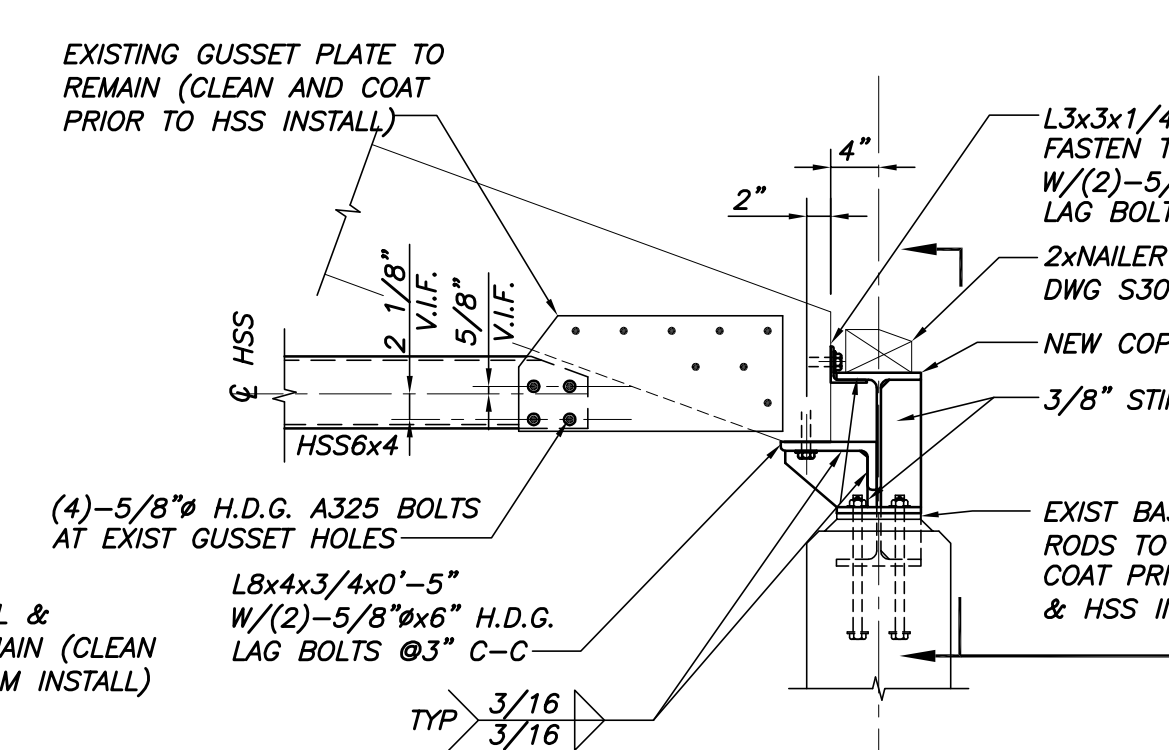
DETAIL
3/4"=1'-0"
A
S102



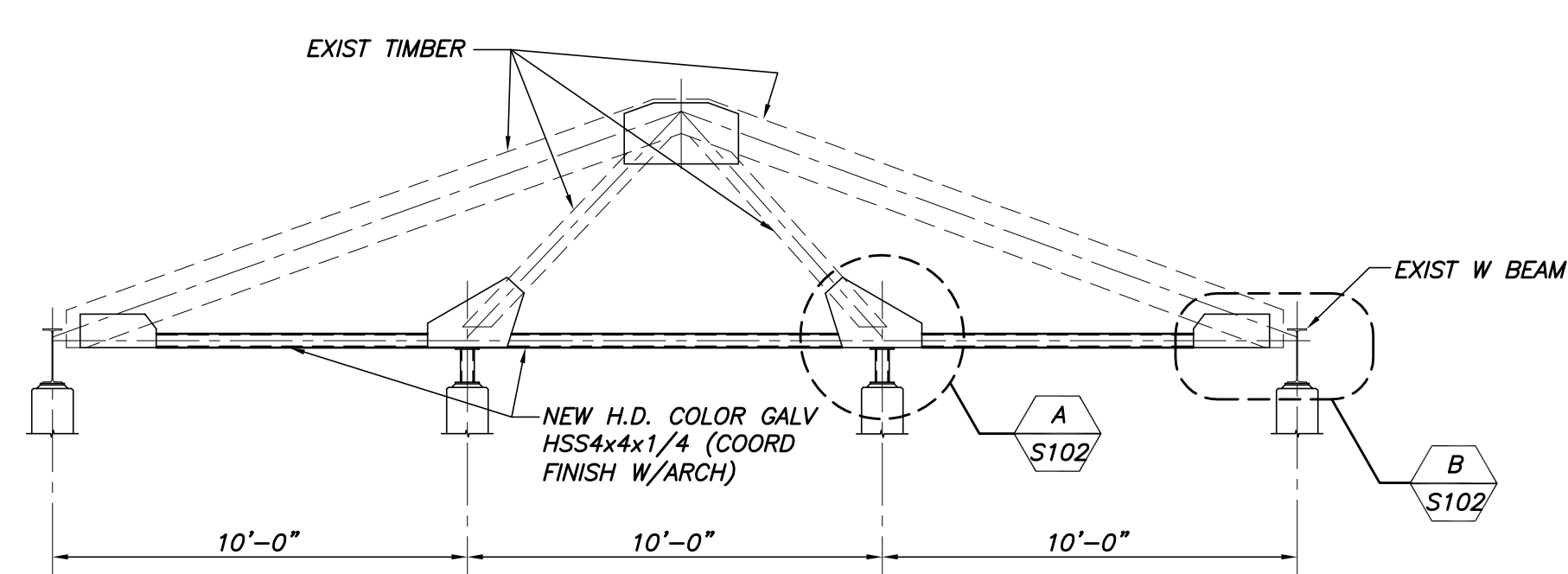
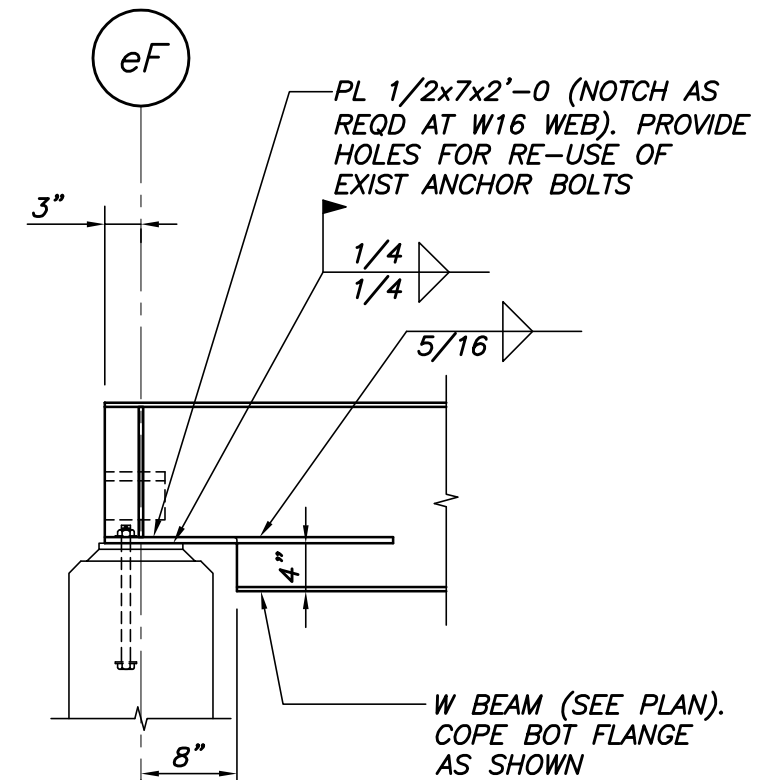
DETAIL
3/4"=1'-0"
B
S102



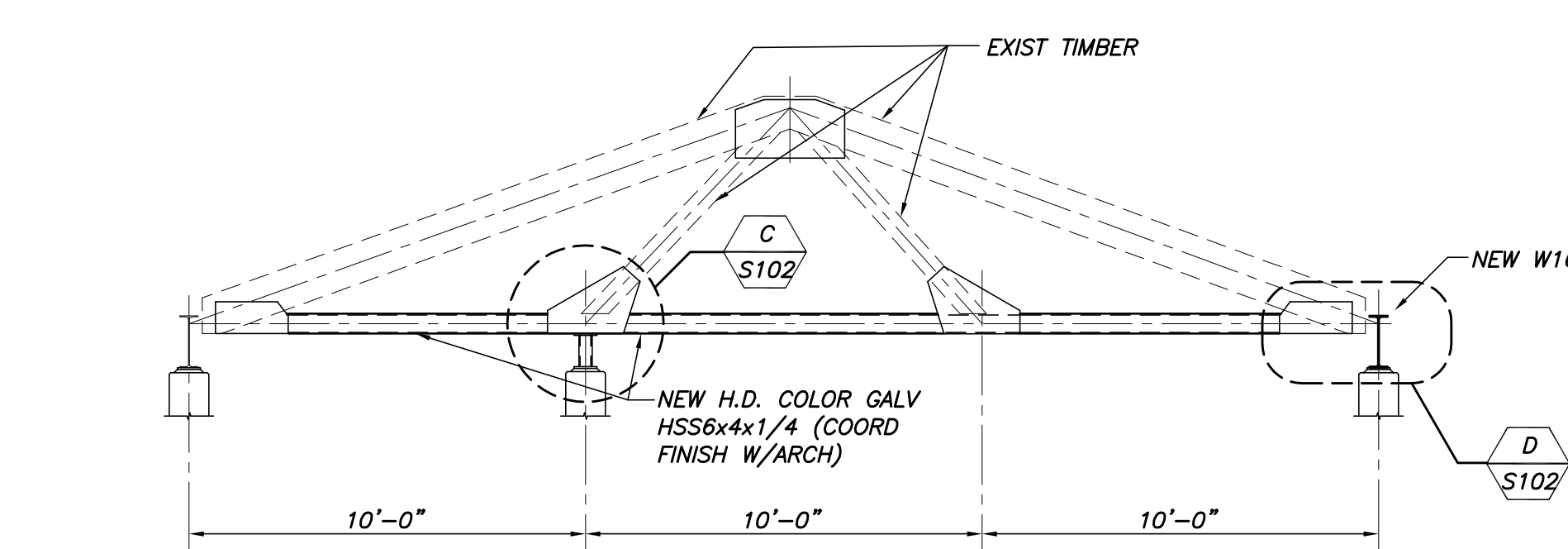
DETAIL
3/4"=1'-0"
C
S102



DETAIL
3/4"=1'-0"
D
S102

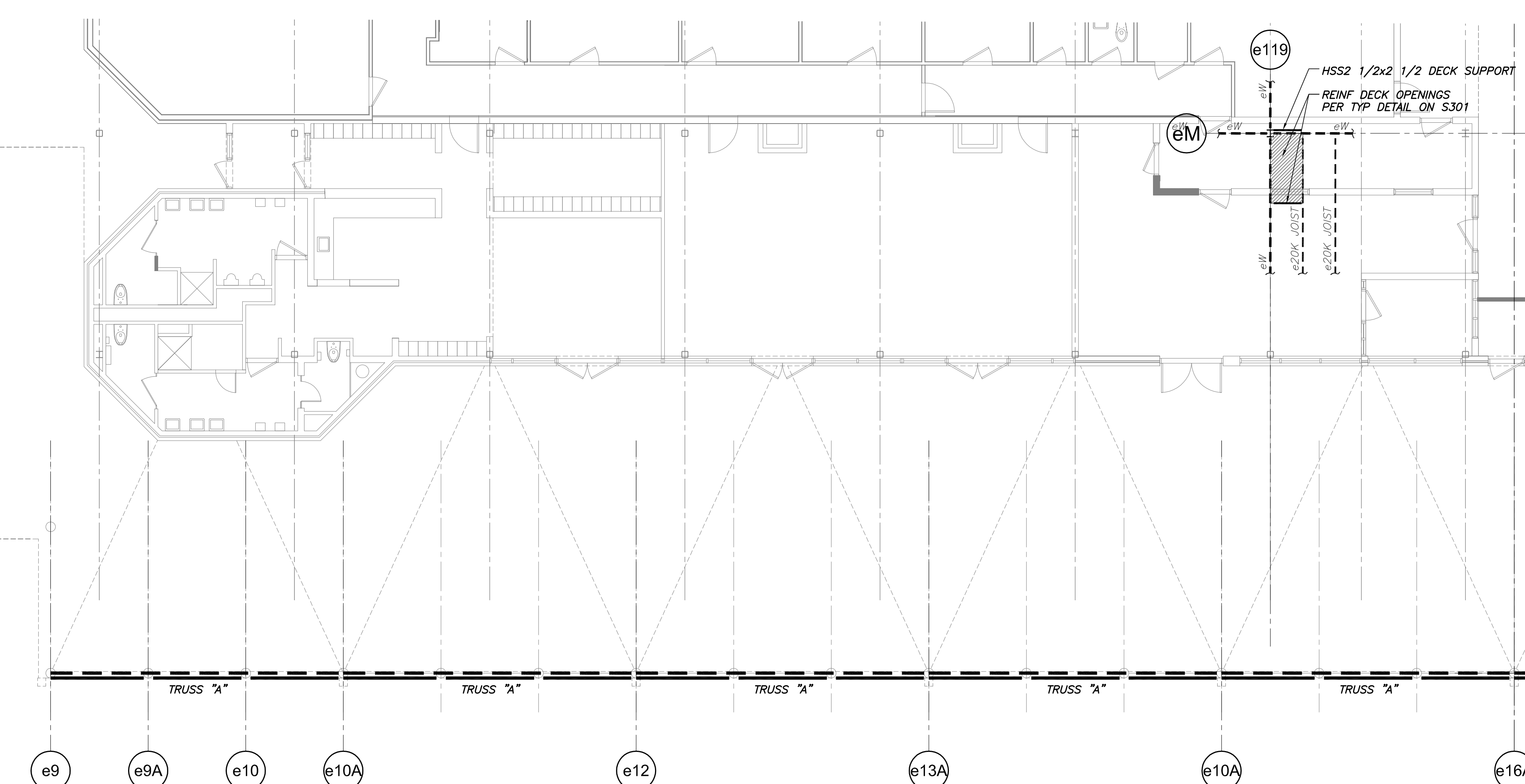


TRUSS A ELEVATION
1/4"=1'-0"



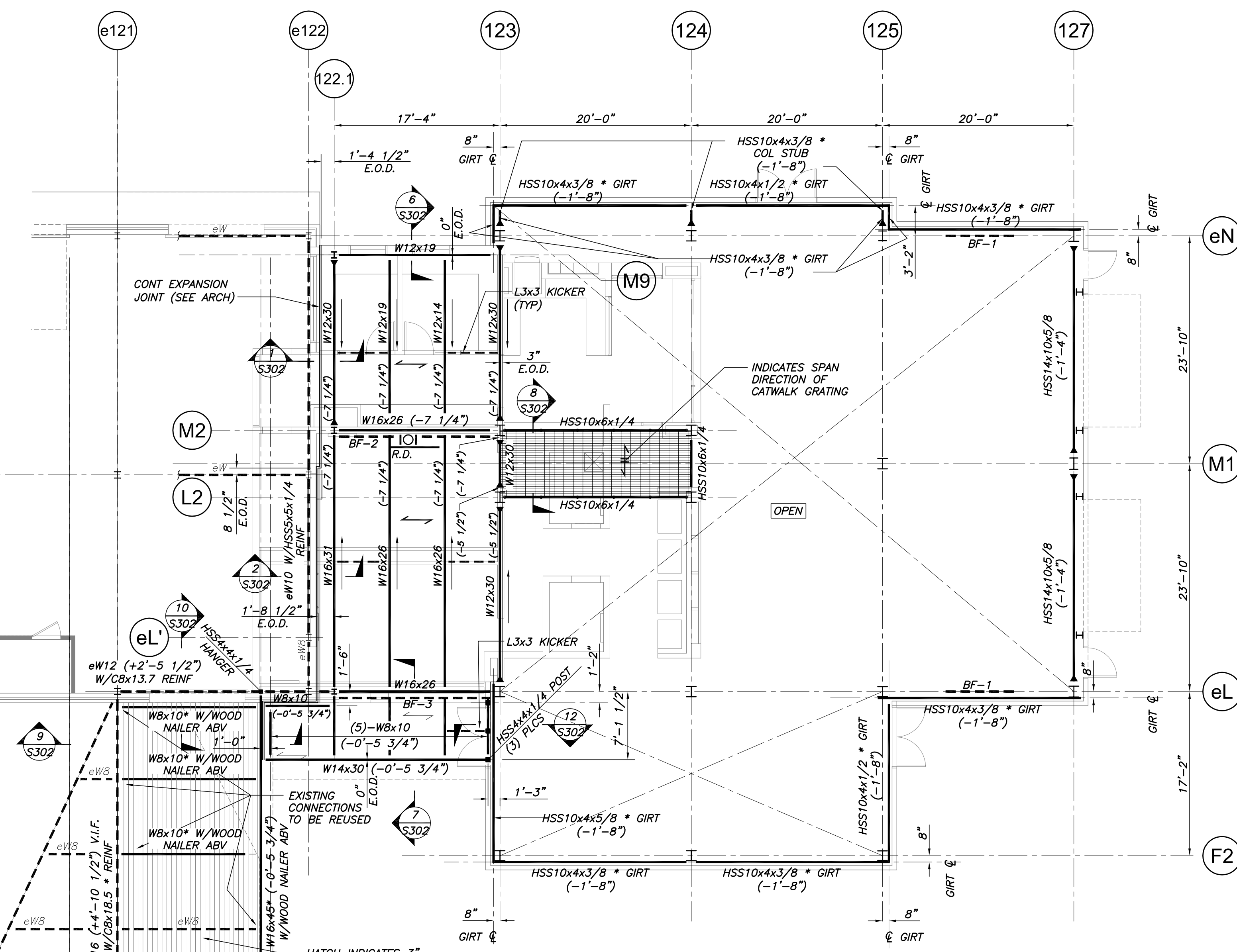
TRUSS B ELEVATION
1/4"=1'-0"

NOTE: G.C. RESPONSIBLE FOR TEMPORARY SHORING DESIGN & ERECTION. C/C TO FIELD VERIFY ALL DIMENSIONS AND QUANTITIES PRIOR TO FABRICATION. VERIFY ALL EXIST BOLT LOCATIONS IN THE FIELD.



EXISTING TRUSS LAYOUT PLAN
1/8"=1'-0"

NOTES:
1. SEE TRUSS ELEVATIONS THIS DWG.



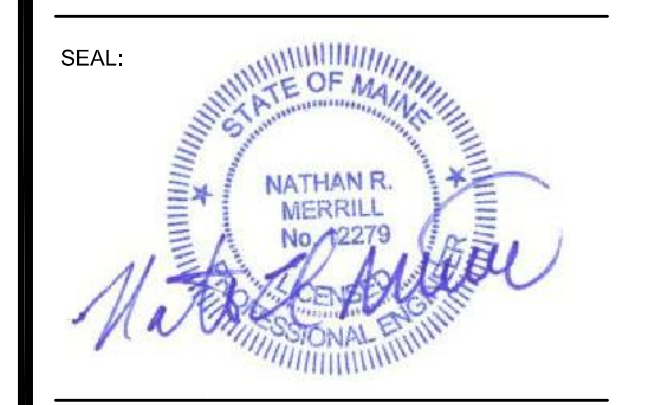
LOWER ROOF/MEZZANINE FRAMING PLAN
1/8"=1'-0"

NOTES:
1. TOP OF STEEL EL 24'-0" U.N.O. BY (±XX'-XX").
2. ← INDICATES SPAN DIRECTION OF 1.5B20 GA PAINTED METAL ROOF DECK (3'-SPAN MIN).
3. — INDICATES MOMENT CONNECTION LOCATION. SEE TYP DETAILS, DWG S301.
4. — INDICATED BRACED FRAME LOCATION. SEE BRACED FRAME ELEVATIONS AND DETAILS, DWG S103.
5. e INDICATES EXISTING STRUCTURAL MEMBER TO REMAIN.
6. BEAMS SHALL BE EQUALLY SPACED IN BAYS UNLESS NOTED OTHERWISE.
7. * INDICATES ARCHITECTURALLY EXPOSED STRUCTURAL STEEL MEMBER. SEE SPECS FOR ADDITIONAL INFO.
8. CATWALK GRATING SHALL BE 2" THICKNESS RATED FOR 40 PSF LL AND 10 PSF DL (MIN) ATTACHED TO STRUCTURE PER MANUF RECOMMENDATIONS. SEE TYP CATWALK SECTION B/S302.
9. R.D. INDICATES ROOF DRAIN. REF ARCH/MEP DWGS FOR NUMBER & LOCATIONS. SEE TYP DETAIL DWG S301.



Scott Simons Architects
75 York Street, Portland, Maine 04101
www.simonsarchitects.com
207.772.4656

PROJECT NAME:
CASCO BAY FERRY TERMINAL
RENOVATIONS & ADDITIONS
88 COMMERCIAL STREET
PORTLAND, MAINE 04101



THIS DRAWING IS THE PROPERTY OF SCOTT SIMONS ARCHITECTS (SSA) AND IS NOT TO BE COPIED OR REPRODUCED IN PART OR WHOLE.
© 2012 © SCOTT SIMONS ARCHITECTS, LLC

DATE OF ISSUE: May 14, 2013
PROJECT NUMBER: 2011-0270
STATUS: ISSUED FOR BIDDING

LOWER ROOF FRAMING PLAN, EXIST TRUSS ELEVATIONS AND DETAILS

S102