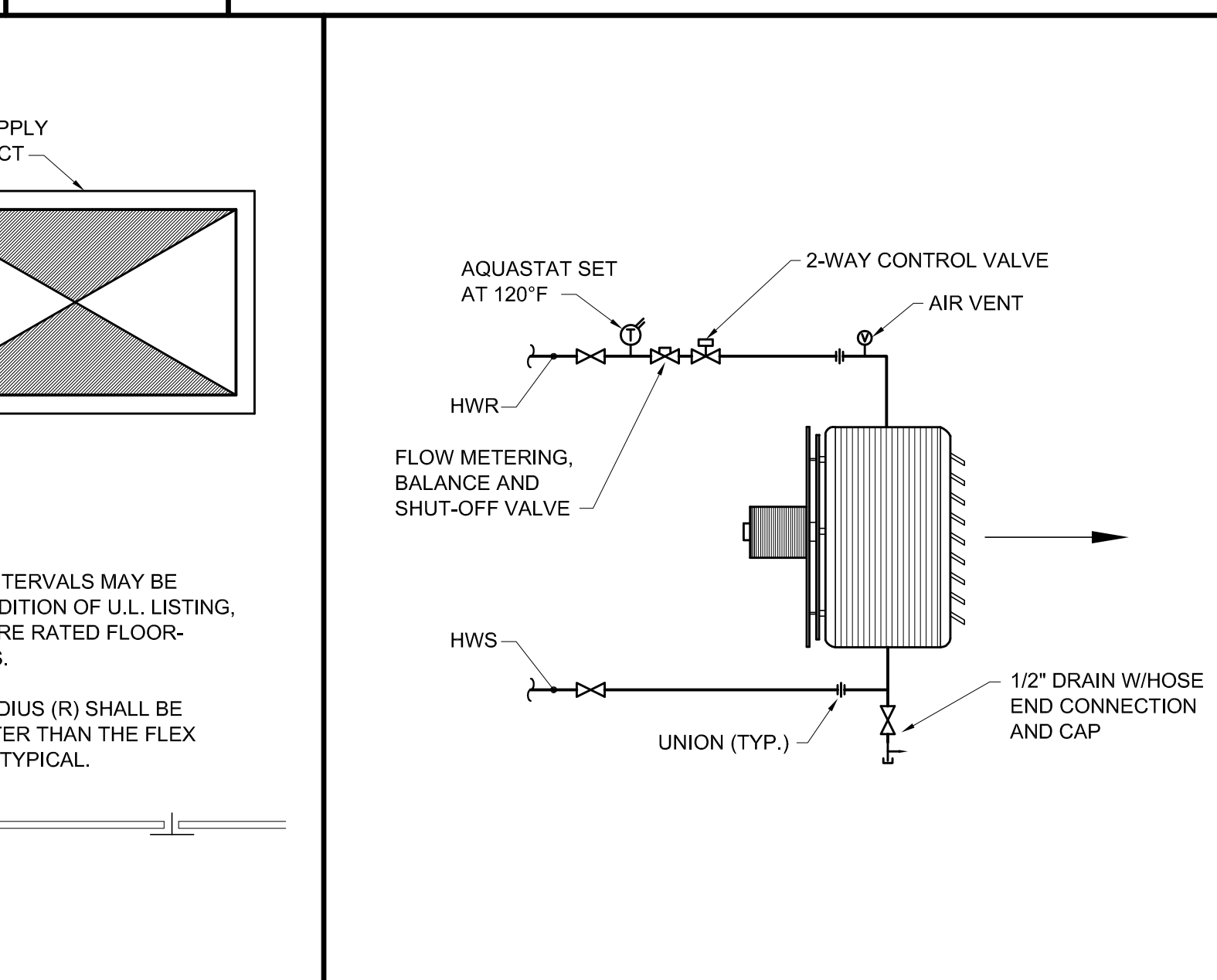
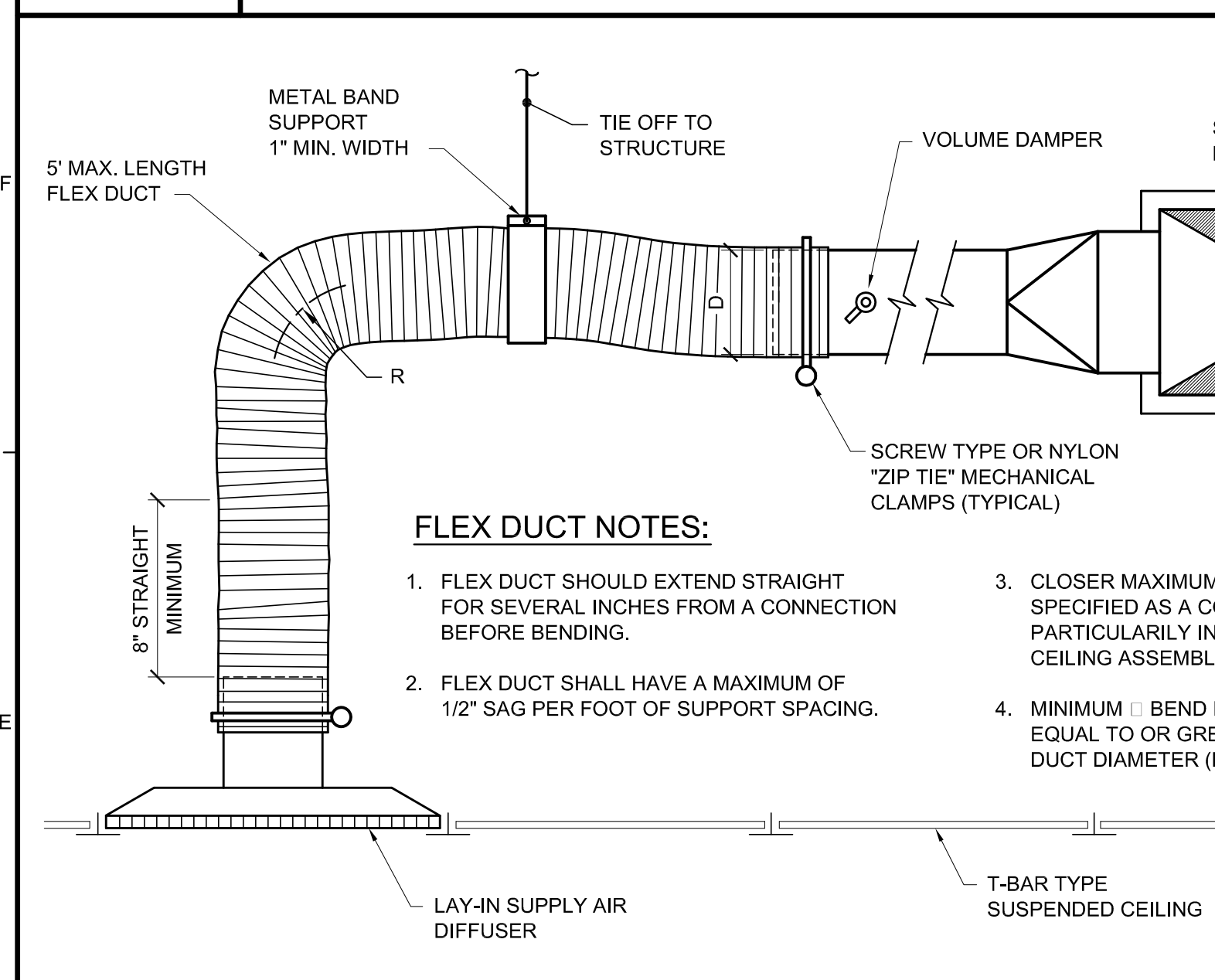


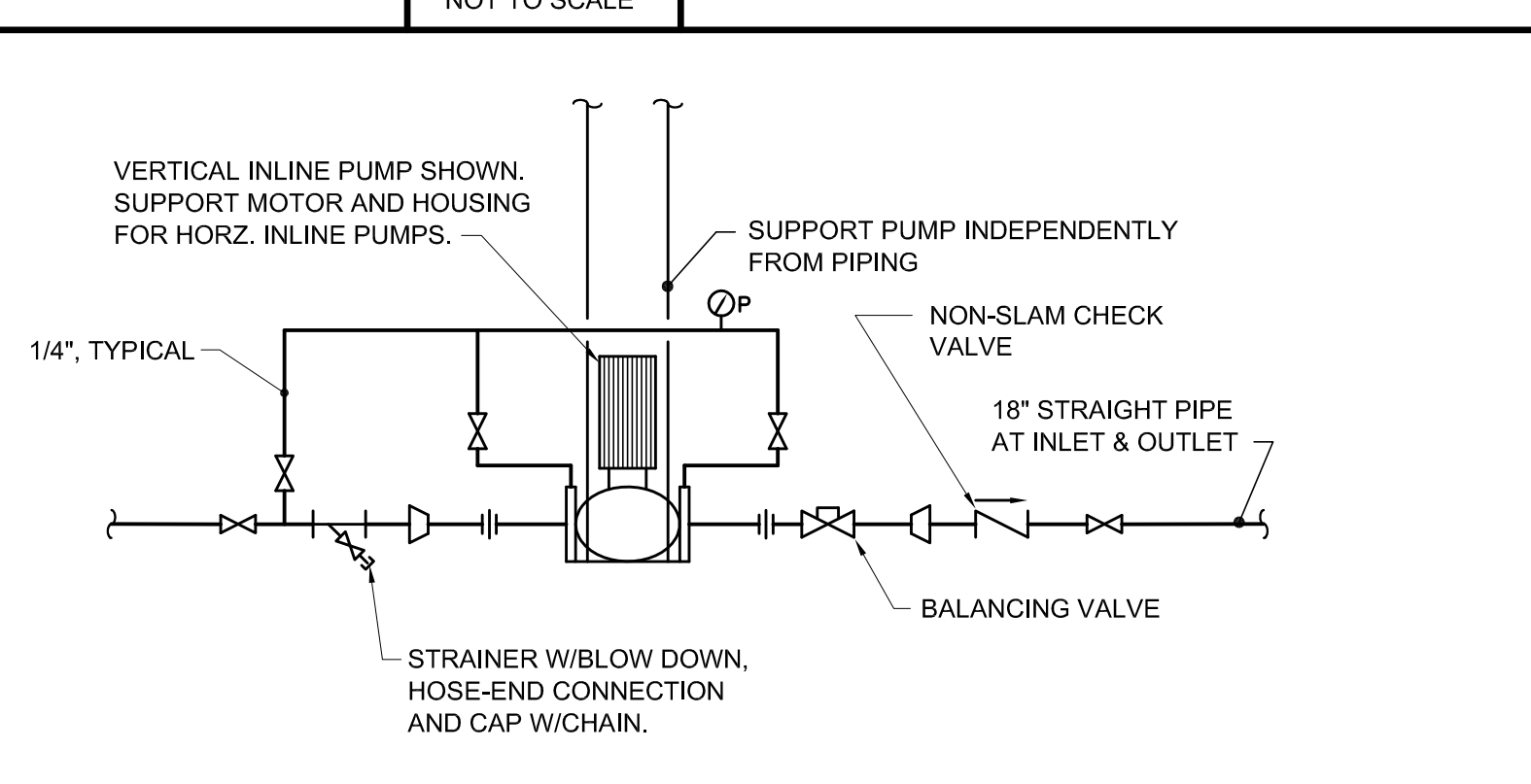
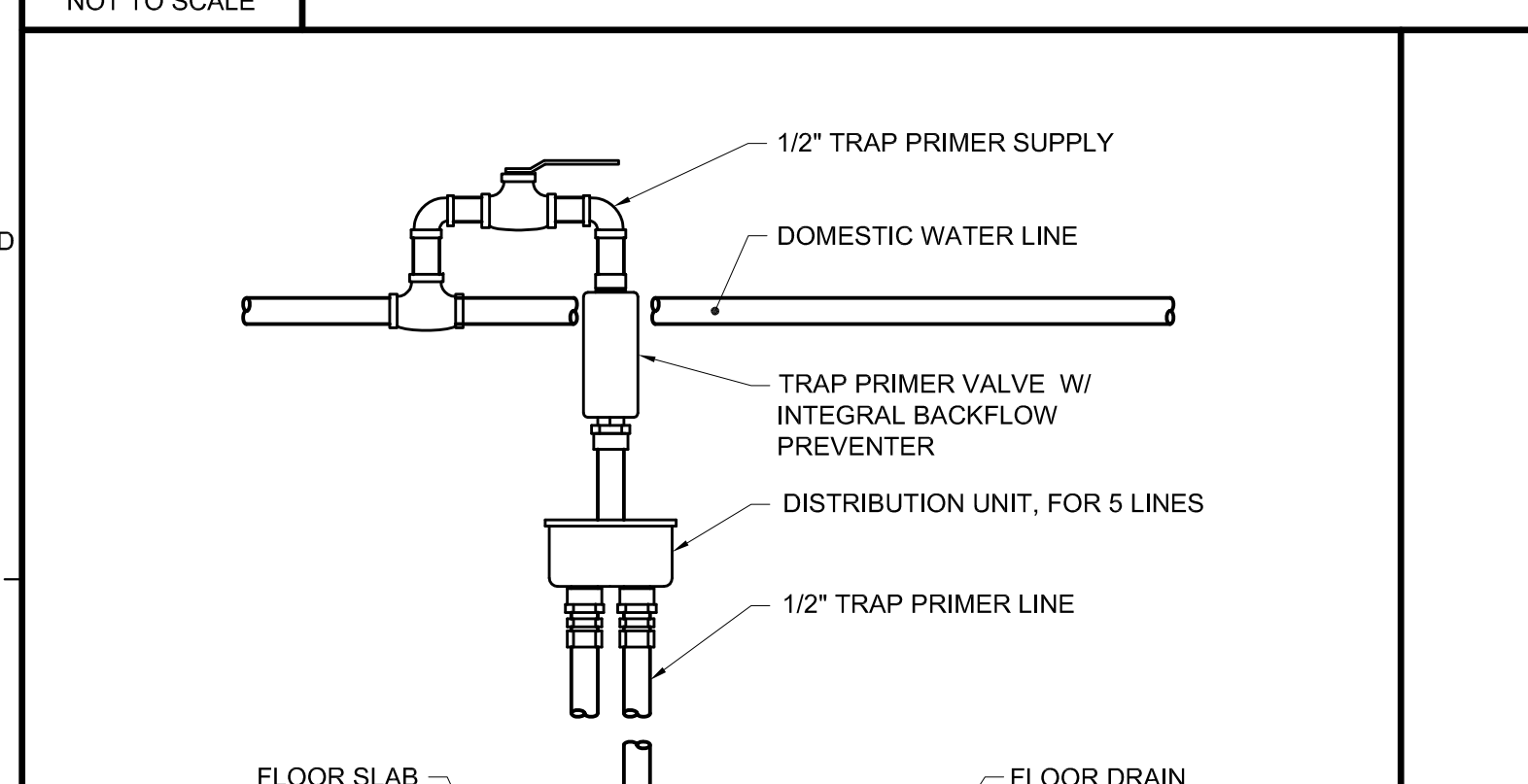
G1 DETAIL ~ RETURN AIR REGISTER BOOT  
NOT TO SCALE

G3 DETAIL ~ EXTERIOR LOUVER  
NOT TO SCALE



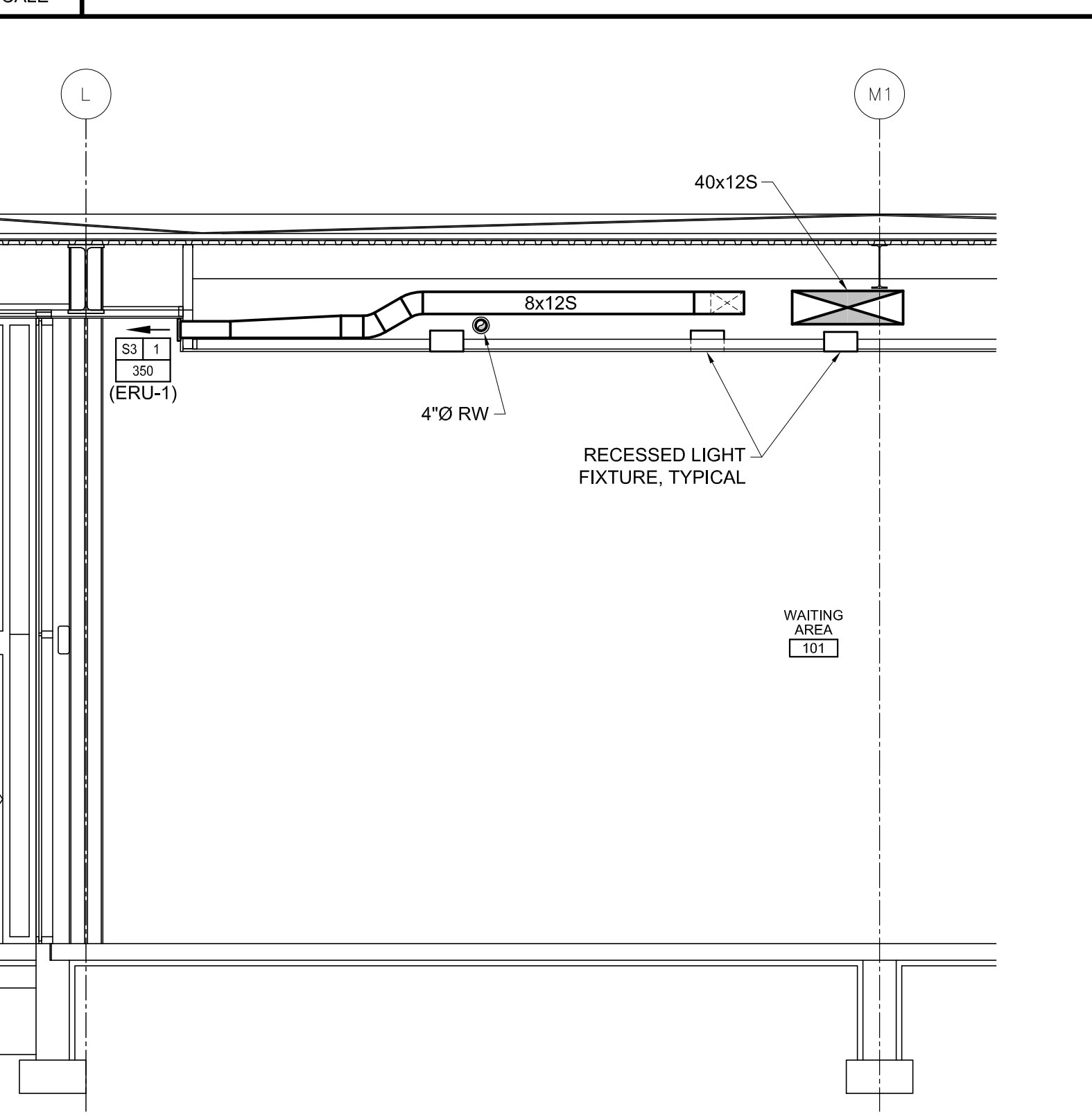
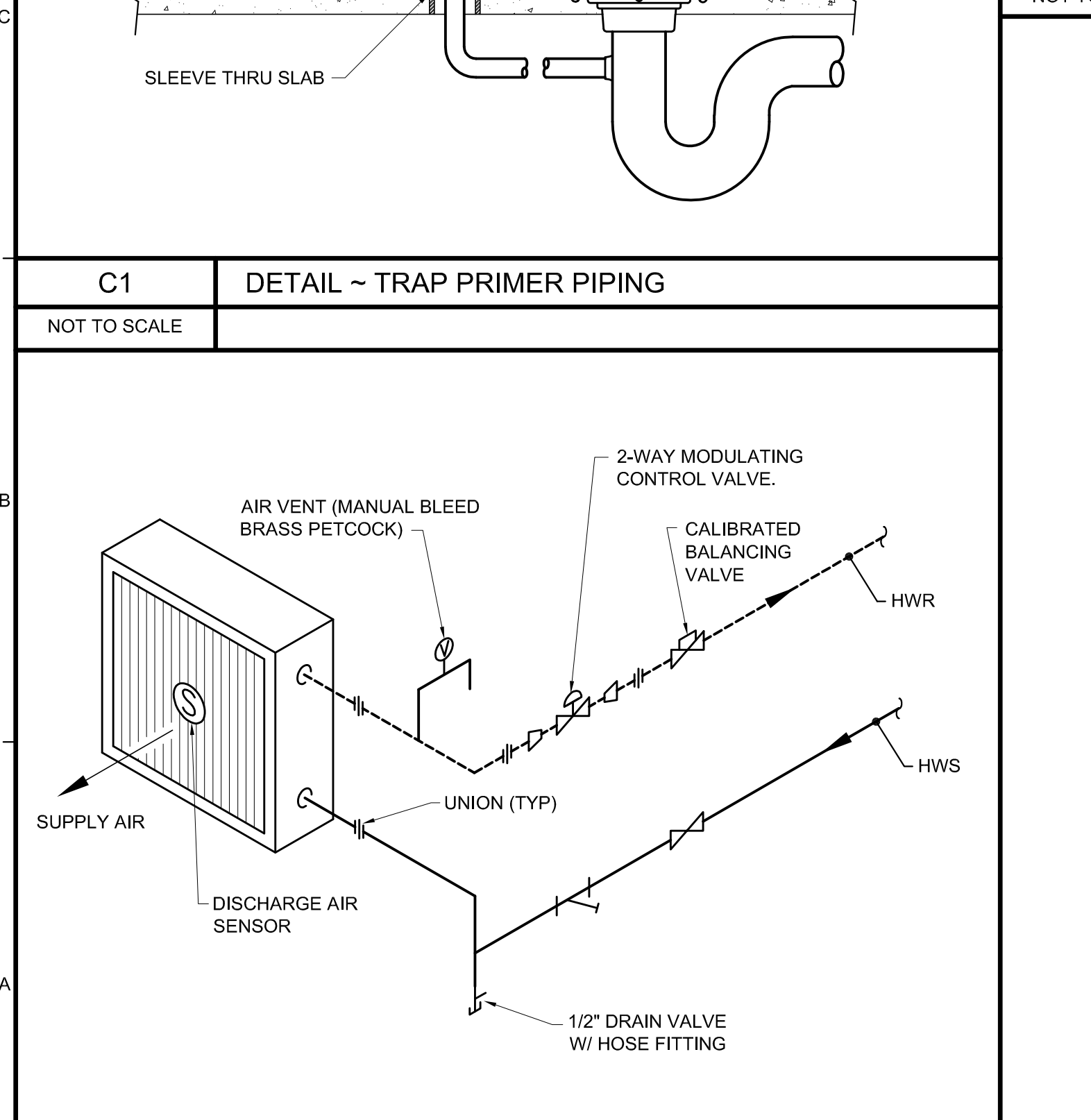
E1 DETAIL ~ SUPPLY AIR BRANCH CONNECTION  
NOT TO SCALE

E4 DETAIL ~ UNIT HEATER PIPING  
NOT TO SCALE



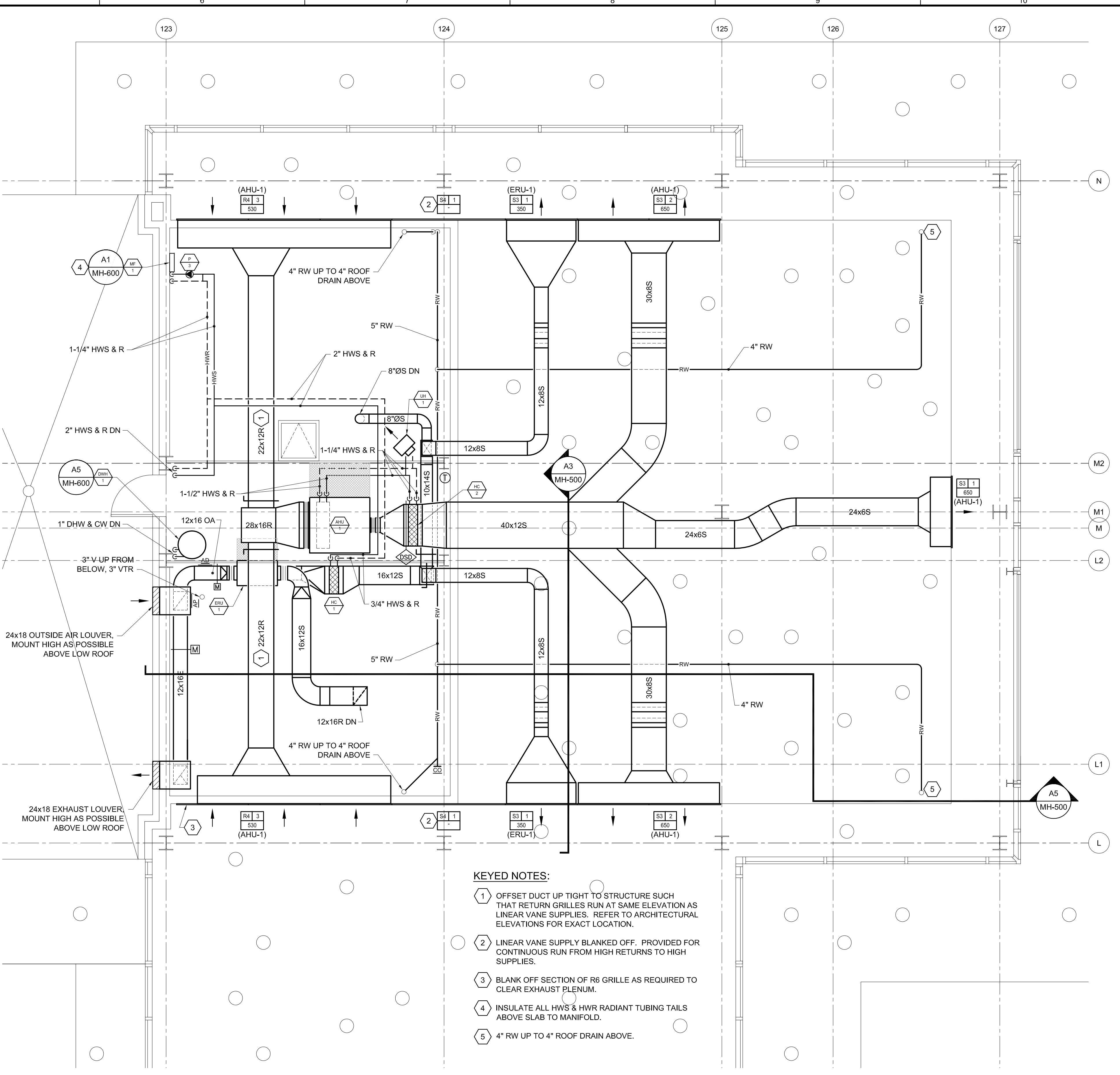
C1 DETAIL ~ TRAP PRIMER PIPING  
NOT TO SCALE

C3 DETAIL ~ VERTICAL IN-LINE PUMP  
NOT TO SCALE

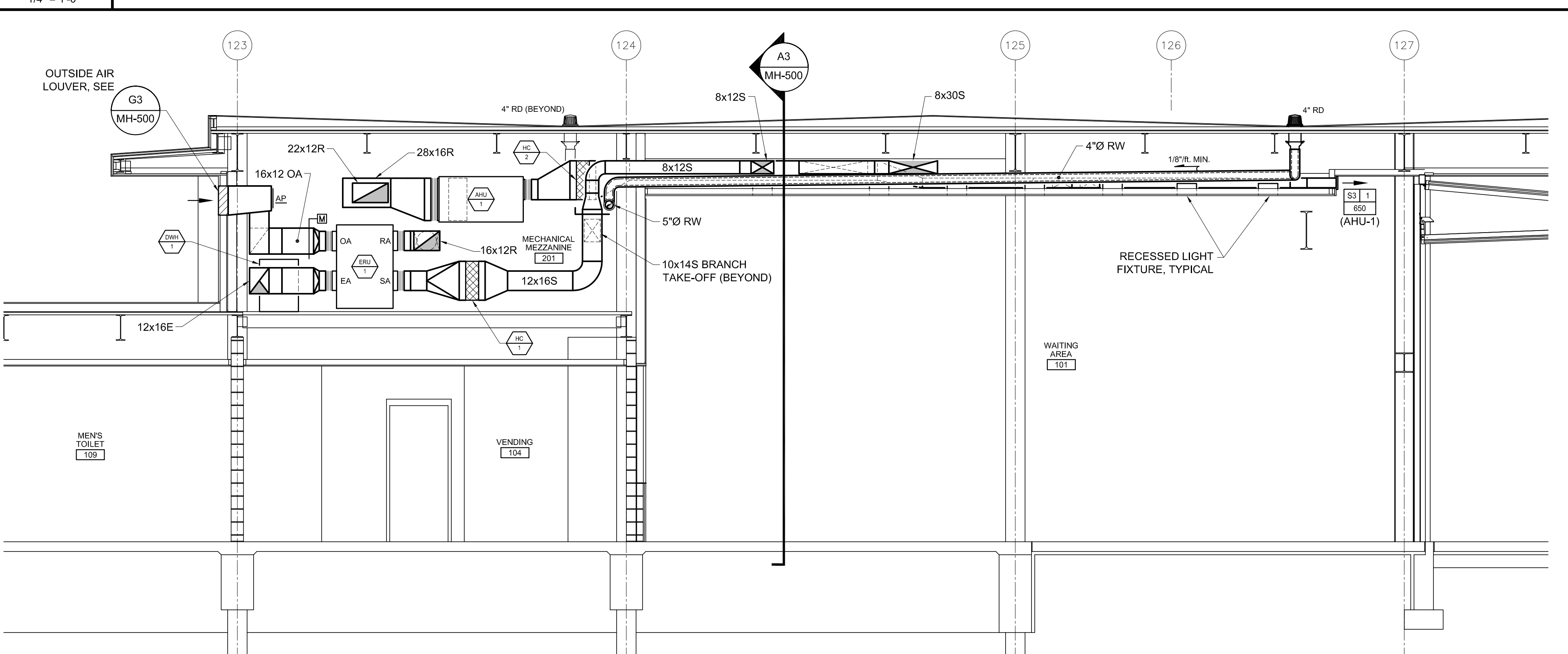


A1 DETAIL ~ DUCT HEATING COIL - AHU-1  
NOT TO SCALE

A3 DETAIL ~ MECHANICAL SECTION  
1/4\"/>



C5 DETAIL ~ MECHANICAL MEZZANINE - UPPER DUCTWORK  
1/4\"/>



A5 DETAIL ~ MECHANICAL SECTION  
1/4\"/>

**Allied Engineering**  
Structural Mechanical  
Electrical Commissioning

160 Veranda Street  
Portland, Maine 04103  
T: 207.221.2260  
F: 207.221.2266  
Web: www.allied-eng.com

SSA  
Scott Simons Architects  
75 York Street, Portland, Maine 04101  
www.simonsarchitects.com  
207.772.4656

PROJECT NAME:  
**CASCO BAY FERRY TERMINAL**  
RENOVATIONS & ADDITIONS  
56 COMMERCIAL STREET  
PORTLAND, MAINE 04101

SEAL:

STATE OF MAINE  
IAN A. MACDONALD  
No. 6990  
LICENSED PROFESSIONAL ENGINEER

THIS DRAWING IS THE PROPERTY OF SCOTT SIMONS ARCHITECTS (SSA) AND IS NOT TO BE COPIED OR REPRODUCED IN PART OR WHOLE.  
2012 © SCOTT SIMONS ARCHITECTS, LLC

REVISION:

1	DATE
2	DATE
3	DATE
4	DATE
5	DATE
6	DATE

DATE OF ISSUE: MAY 14, 2013  
PROJECT NUMBER: 2011-0270  
STATUS: ISSUED FOR BIDDING

**MECHANICAL DETAILS**

**MH-500**

2008 © Scott Simons Architects LLC

N:\Projects\2012\CASCO BAY FERRY TERMINAL\0208 - Casco Bay Ferry Terminal\02 Drawing Files\120808.dwg May 13, 2013 - 8:16am