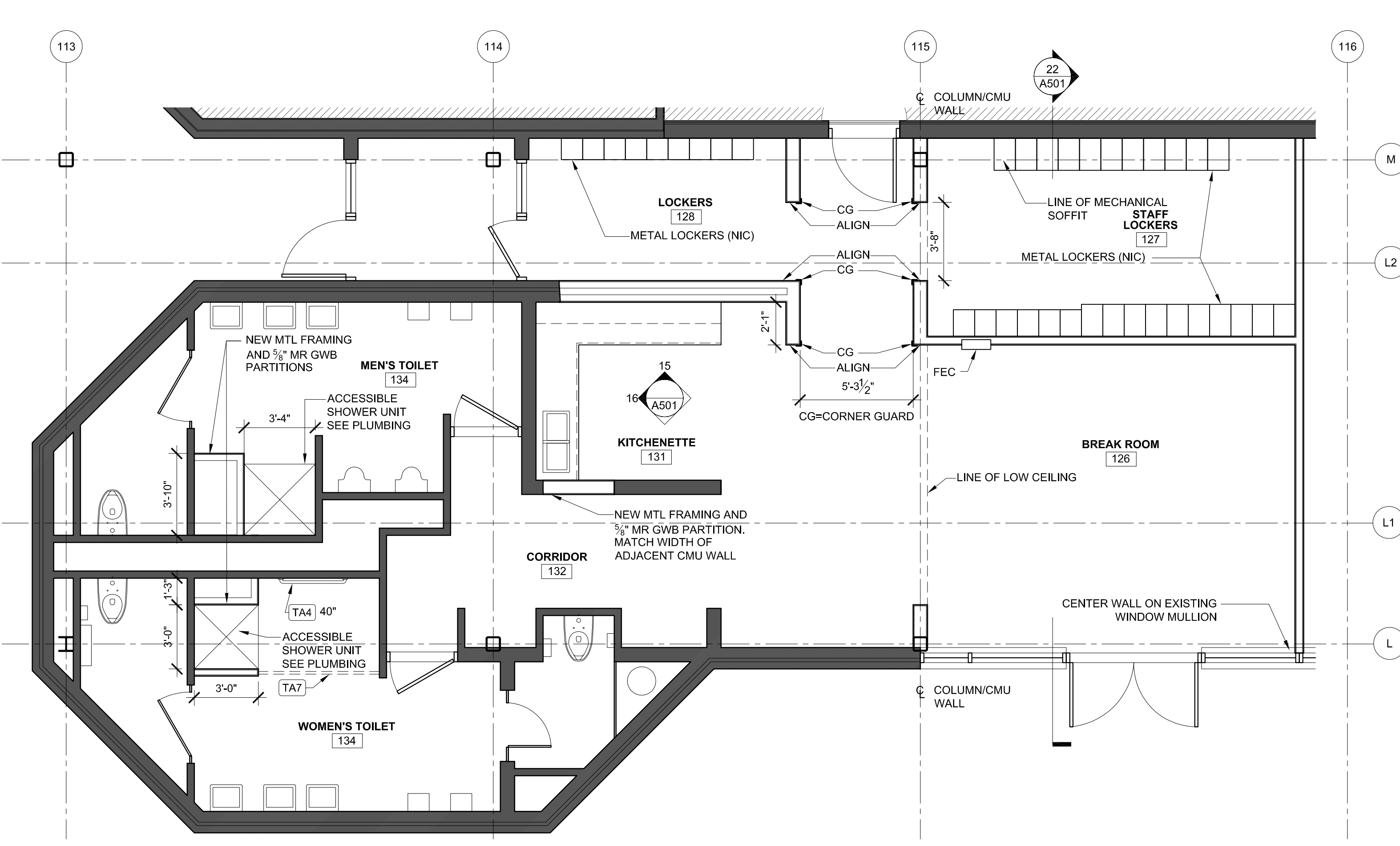
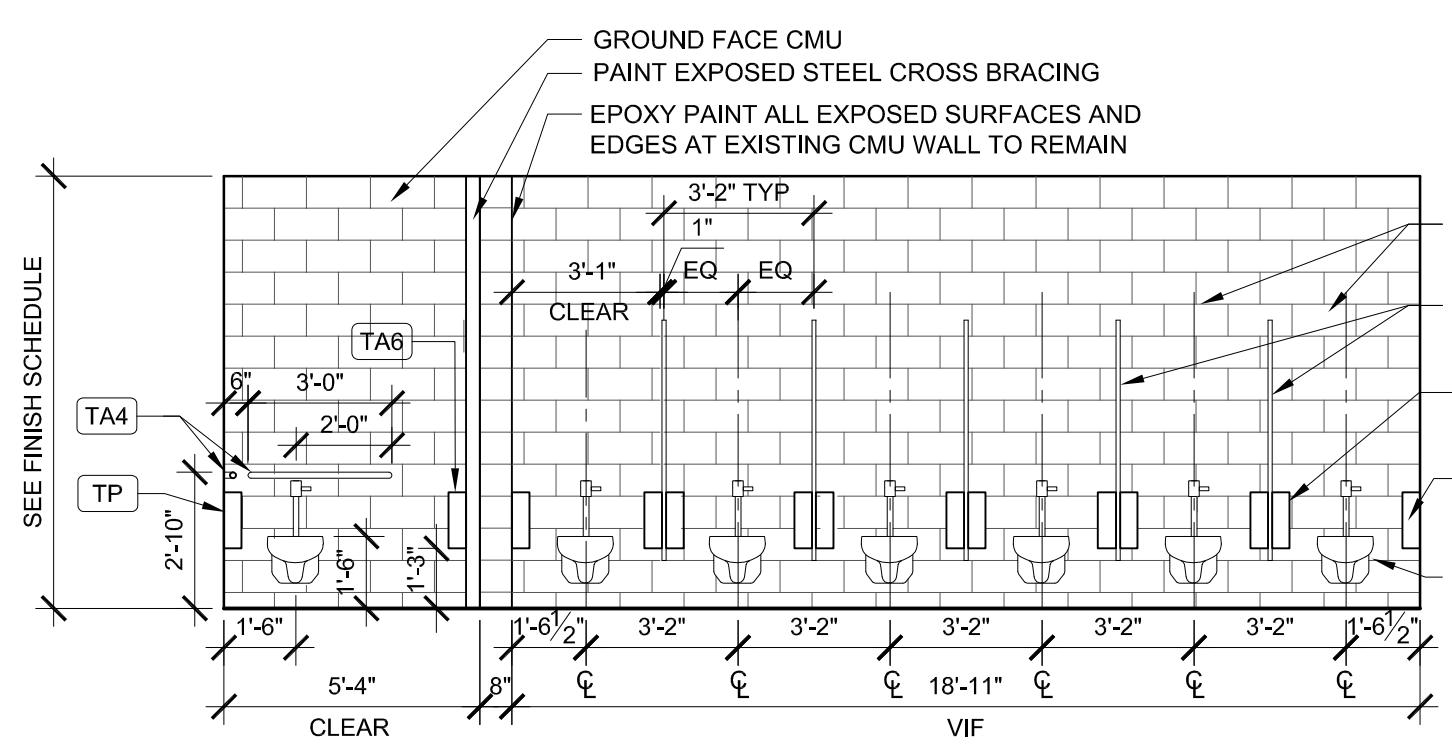


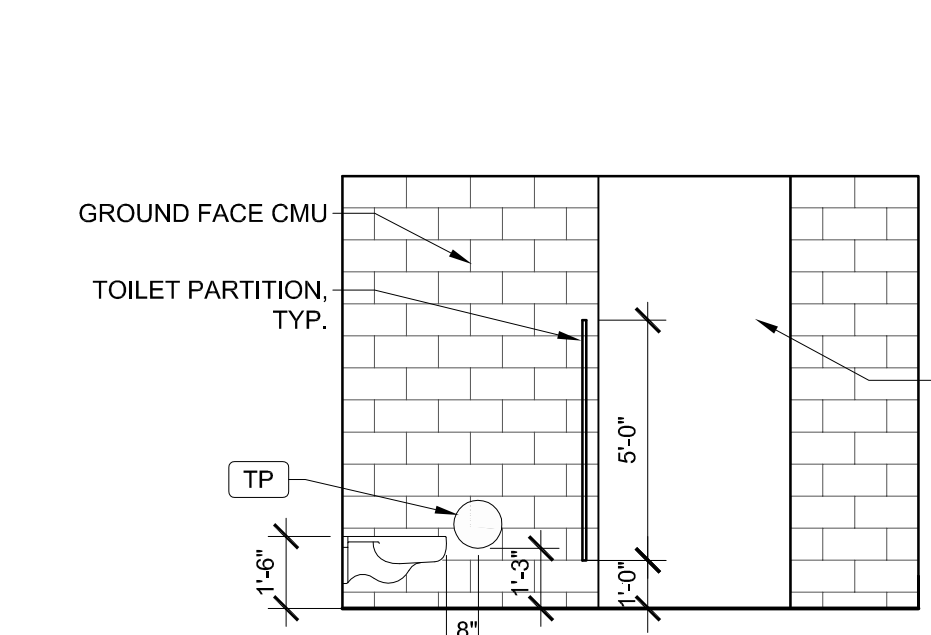
1 ENLARGED BATHROOM PLAN
SCALE: 1/4" = 1'-0"



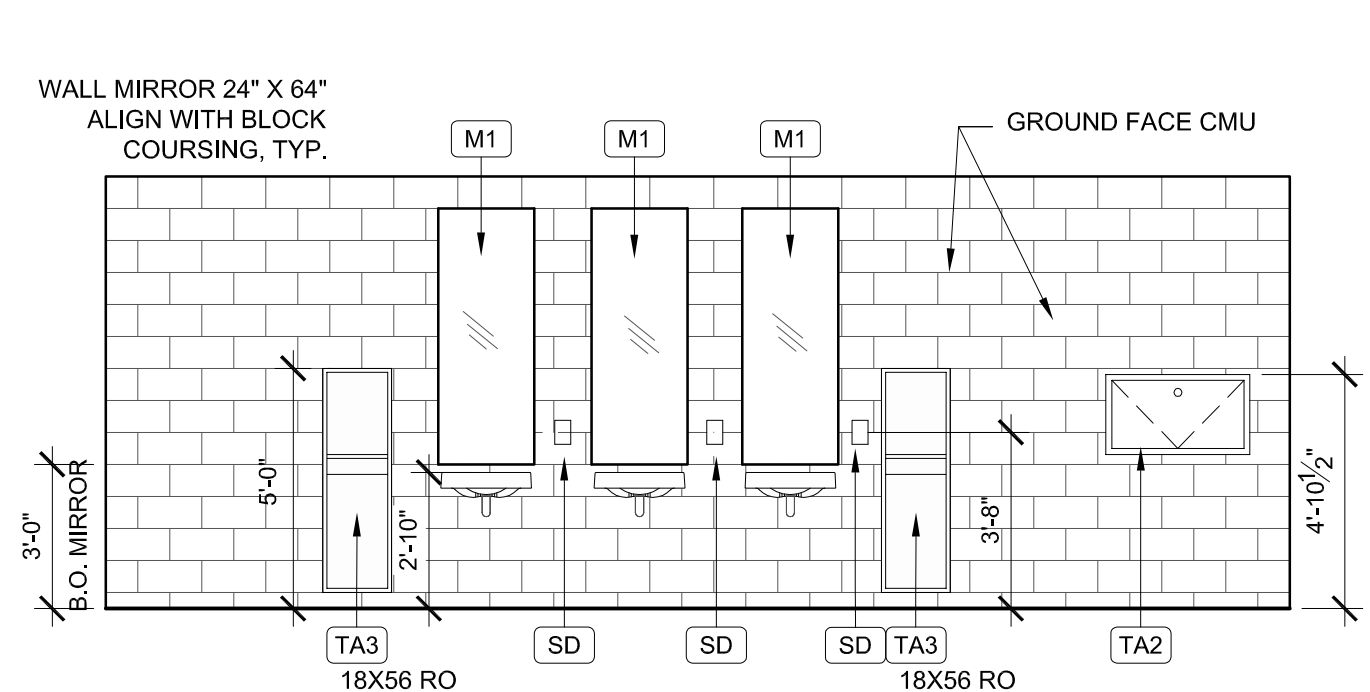
14 ENLARGED KITCHEN AND LOCKER PLAN
SCALE: 1/4" = 1'-0"



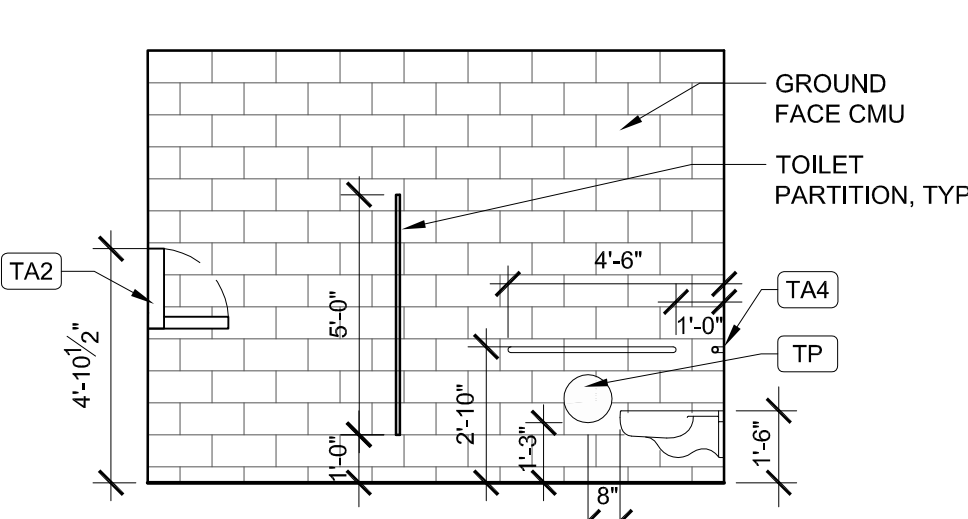
2 WOMEN'S TOILET ELEV
SCALE: 1/4" = 1'-0"



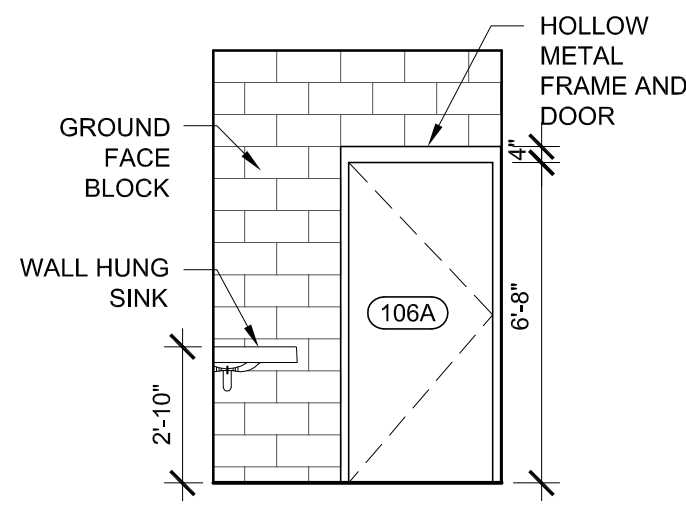
3 WOMEN'S TOILET ELEV
SCALE: 1/4" = 1'-0"



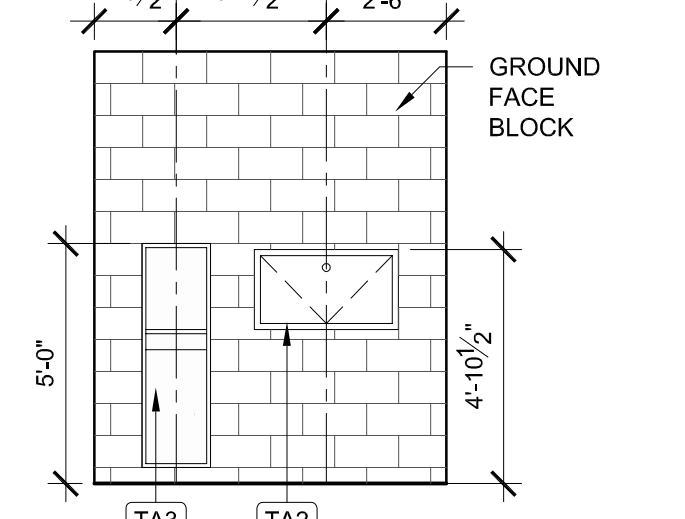
4 WOMEN'S TOILET ELEV
SCALE: 1/4" = 1'-0"



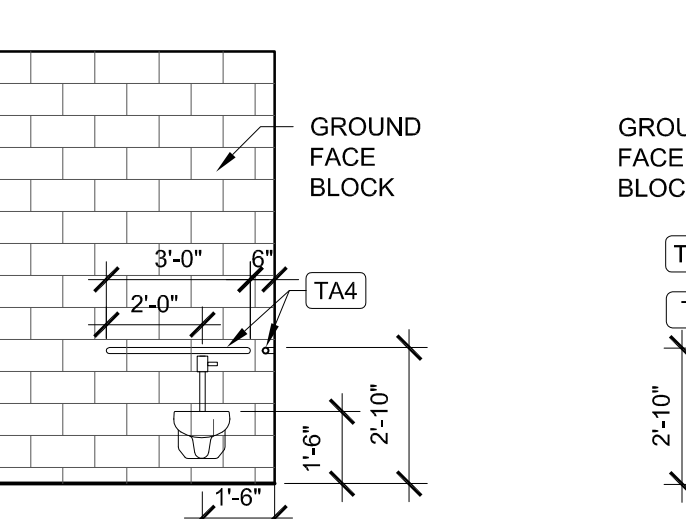
5 ADA TOILET ELEV
SCALE: 1/4" = 1'-0"



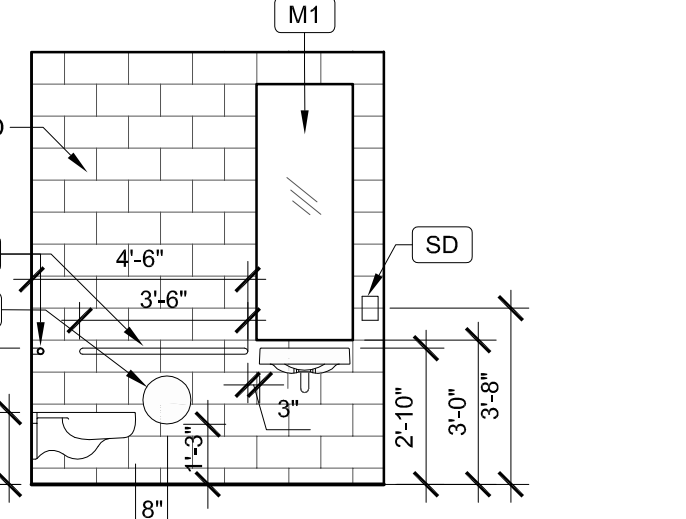
6 FAMILY 106 ELEV
SCALE: 1/4" = 1'-0"



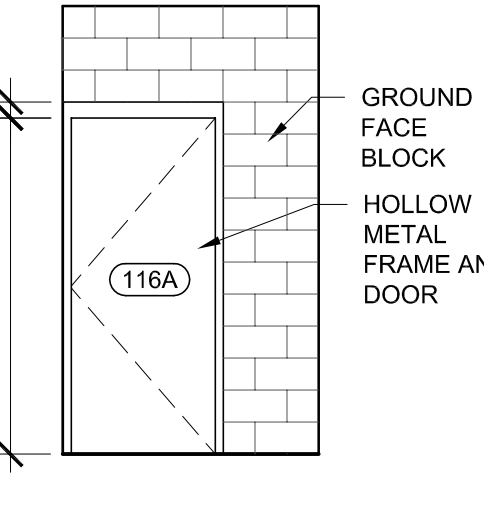
7 FAMILY 106 ELEV
SCALE: 1/4" = 1'-0"



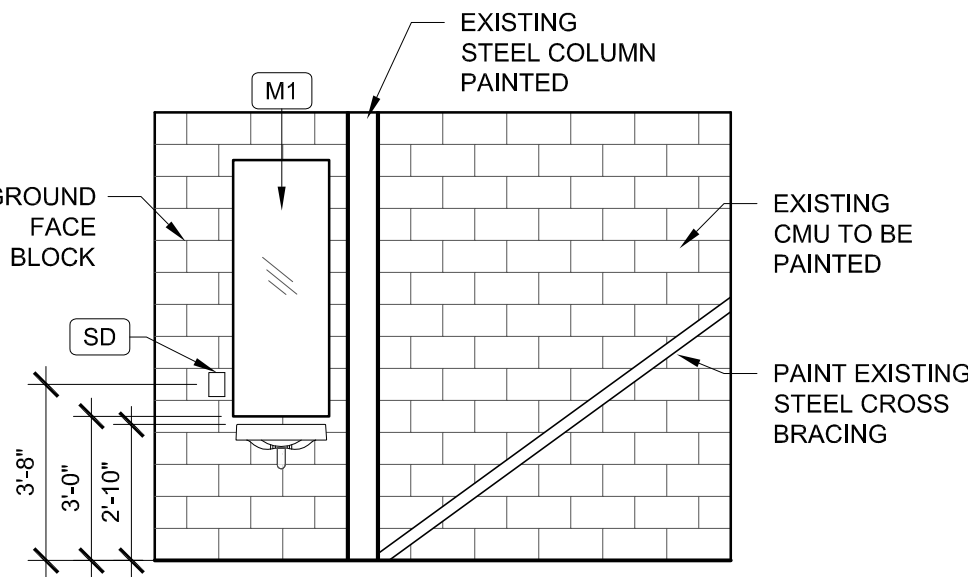
8 FAMILY 106 ELEV
SCALE: 1/4" = 1'-0"



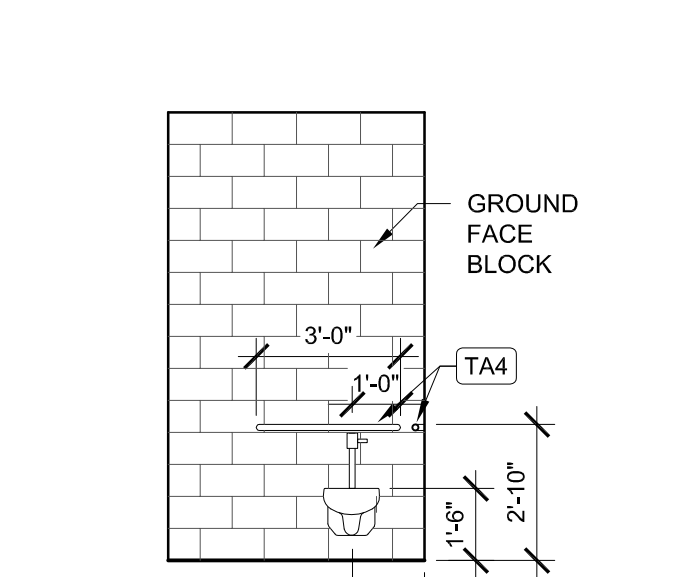
9 FAMILY 106 ELEV
SCALE: 1/4" = 1'-0"



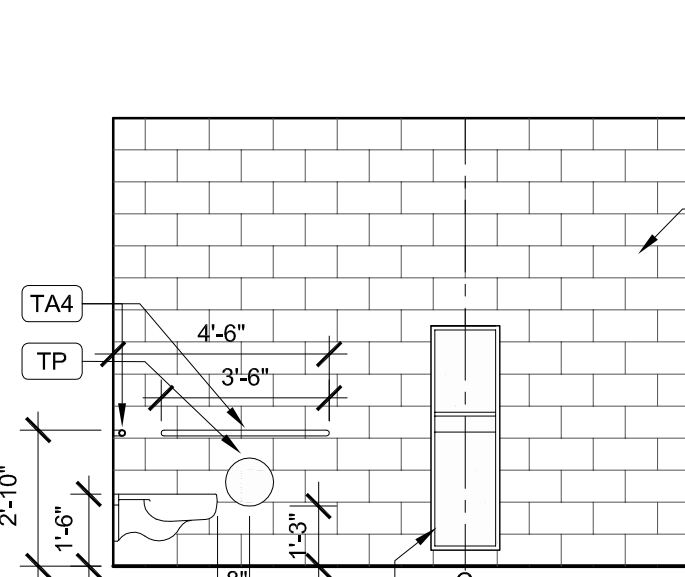
10 STAFF TOILET ELEV
SCALE: 1/4" = 1'-0"



11 STAFF TOILET ELEV
SCALE: 1/4" = 1'-0"



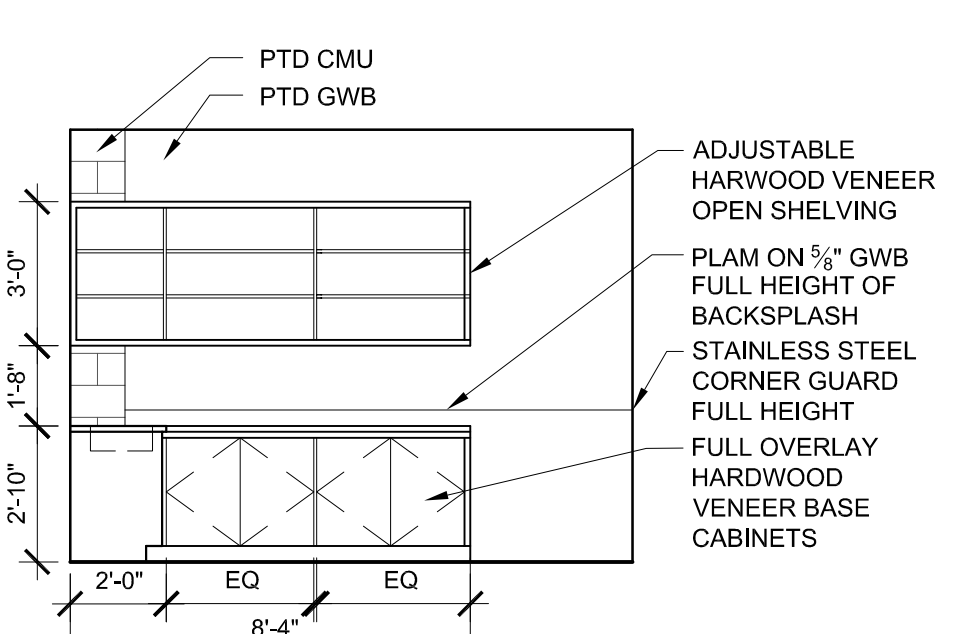
12 STAFF TOILET ELEV
SCALE: 1/4" = 1'-0"



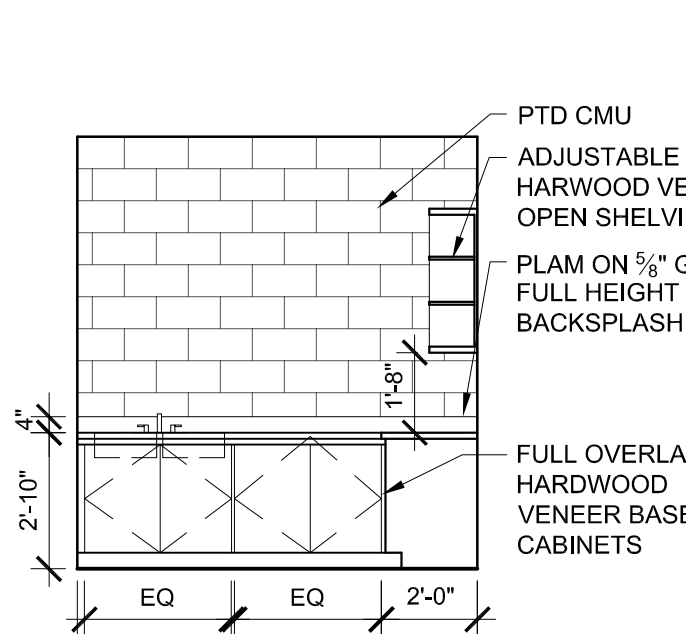
13 STAFF TOILET ELEV
SCALE: 1/4" = 1'-0"

MARK	ITEM	MANF.	MODEL NUMBER
TA1	UTILITY SHELF AND MOP AND BROOM HOLDER	BOBRICK	B-23934
TA2	KOALA KARE SURFACE MOUNTED STAINLESS BABY CHANGING STATION	BOBRICK	KB110-SSHM
TA3	SEMI RECESSED PAPER TOWEL DISPENSER/ WASTE RECEPTACLE	BOBRICK	B-39817
TA4	GRAB BARS	BOBRICK	B-8066 SERIES
TA5	SURFACE MOUNTED PAPER TOWEL DISPENSER AND WASTE RECEPTACLE	BOBRICK	B-39849
TA6	SANITARY NAPKIN DISPOSAL UNIT	BOBRICK	B-254
TA7	SHOWER CURTAIN ROD AND CURTAIN	BOBRICK	B-20746 B204-3 B.204-1
TP	TOILET PAPER DISPENSER FURNISHED BY OWNER INSTALLED BY GC		
SD	SOAP DISPENSER FURNISHED BY OWNER INSTALLED BY GC		
M1	CUSTOM MIRROR WITH STAINLESS STEEL 1/2" FRAME, 24" X 60"		

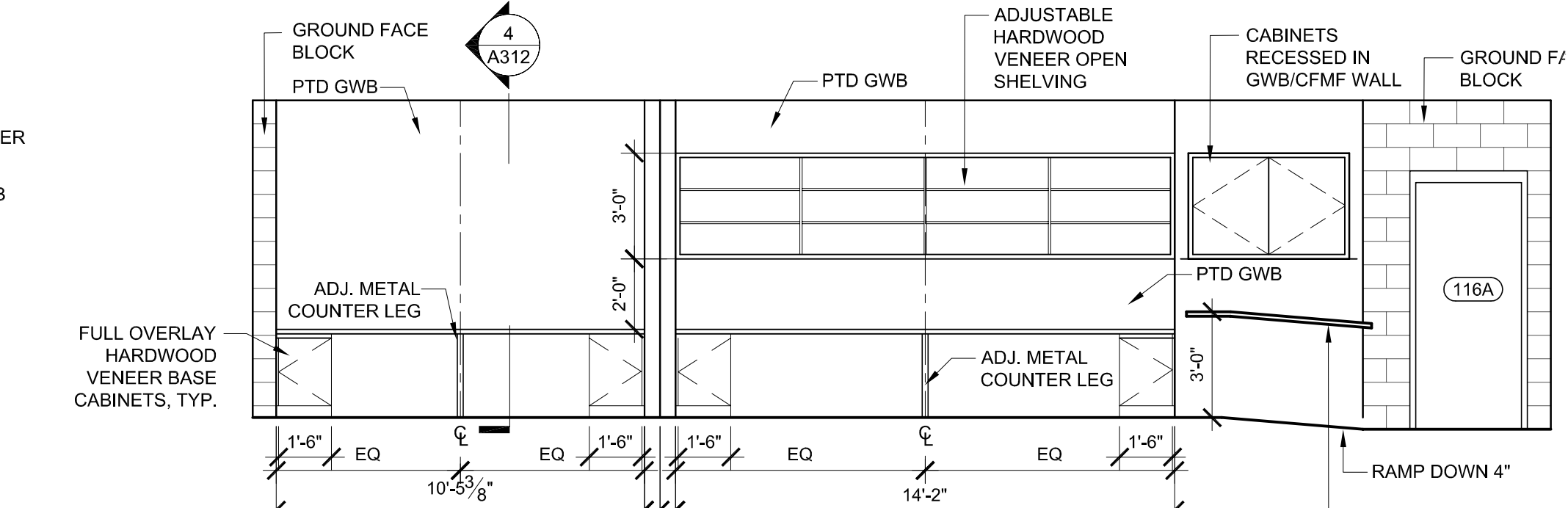
23 KEY
SCALE: NTS



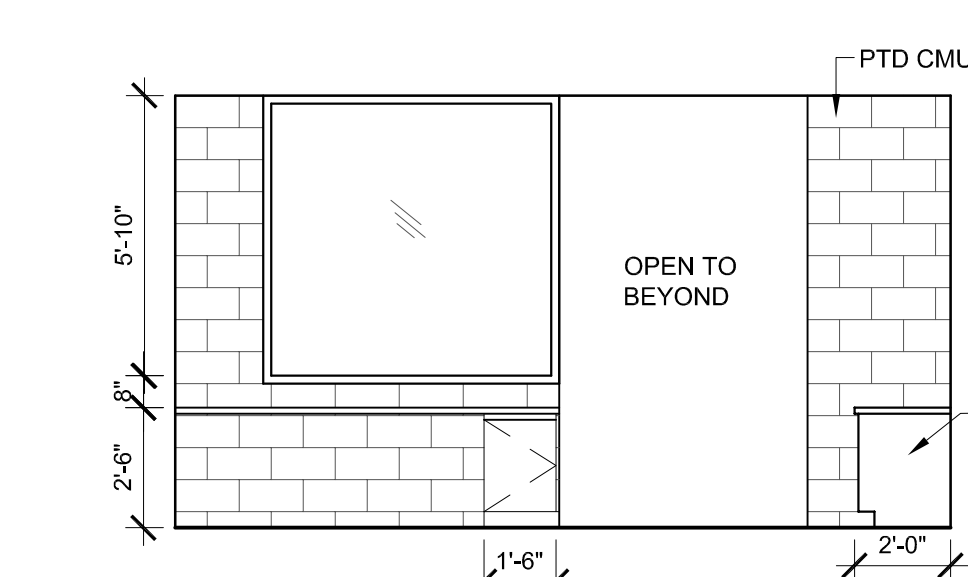
15 KITCHEN ELEVATION
SCALE: 1/4" = 1'-0"



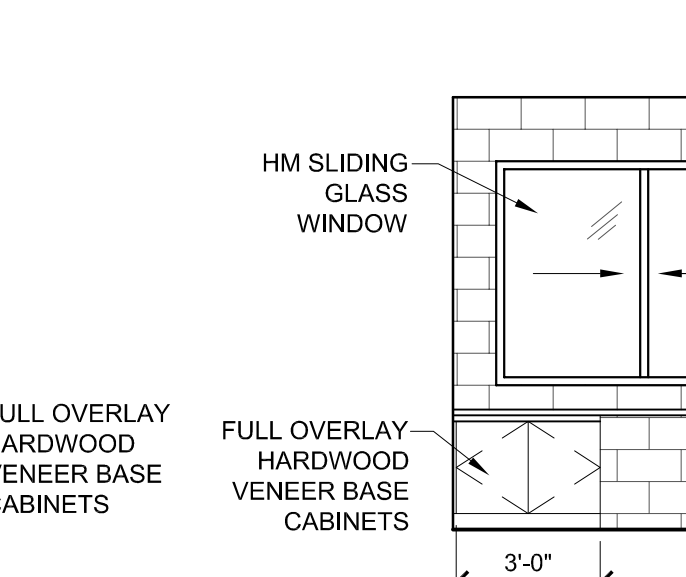
16 KITCHEN ELEVATION
SCALE: 1/4" = 1'-0"



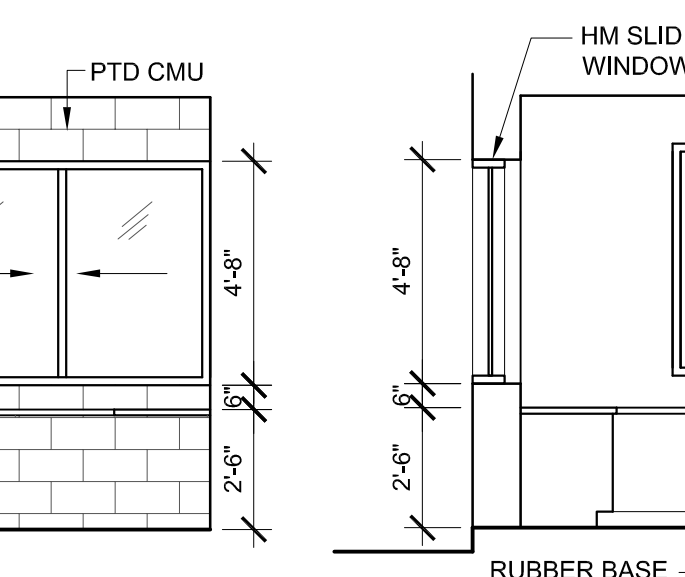
17 OFFICE CORRIDOR
SCALE: 1/4" = 1'-0"



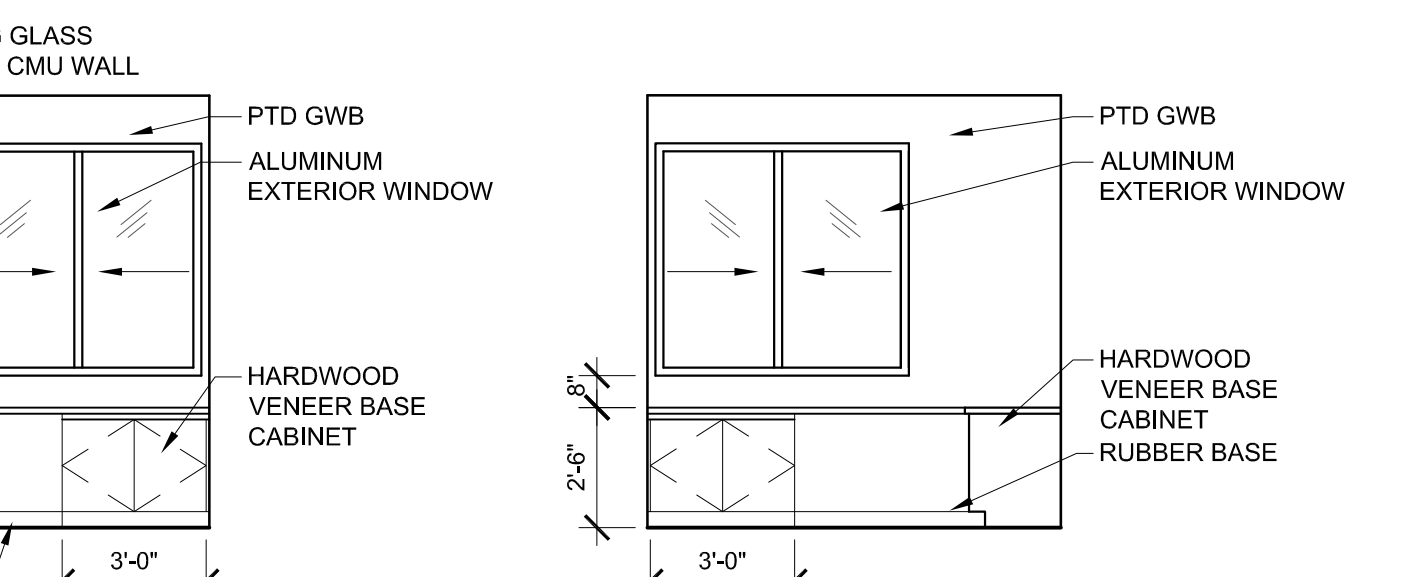
18 OFFICE
SCALE: 1/4" = 1'-0"



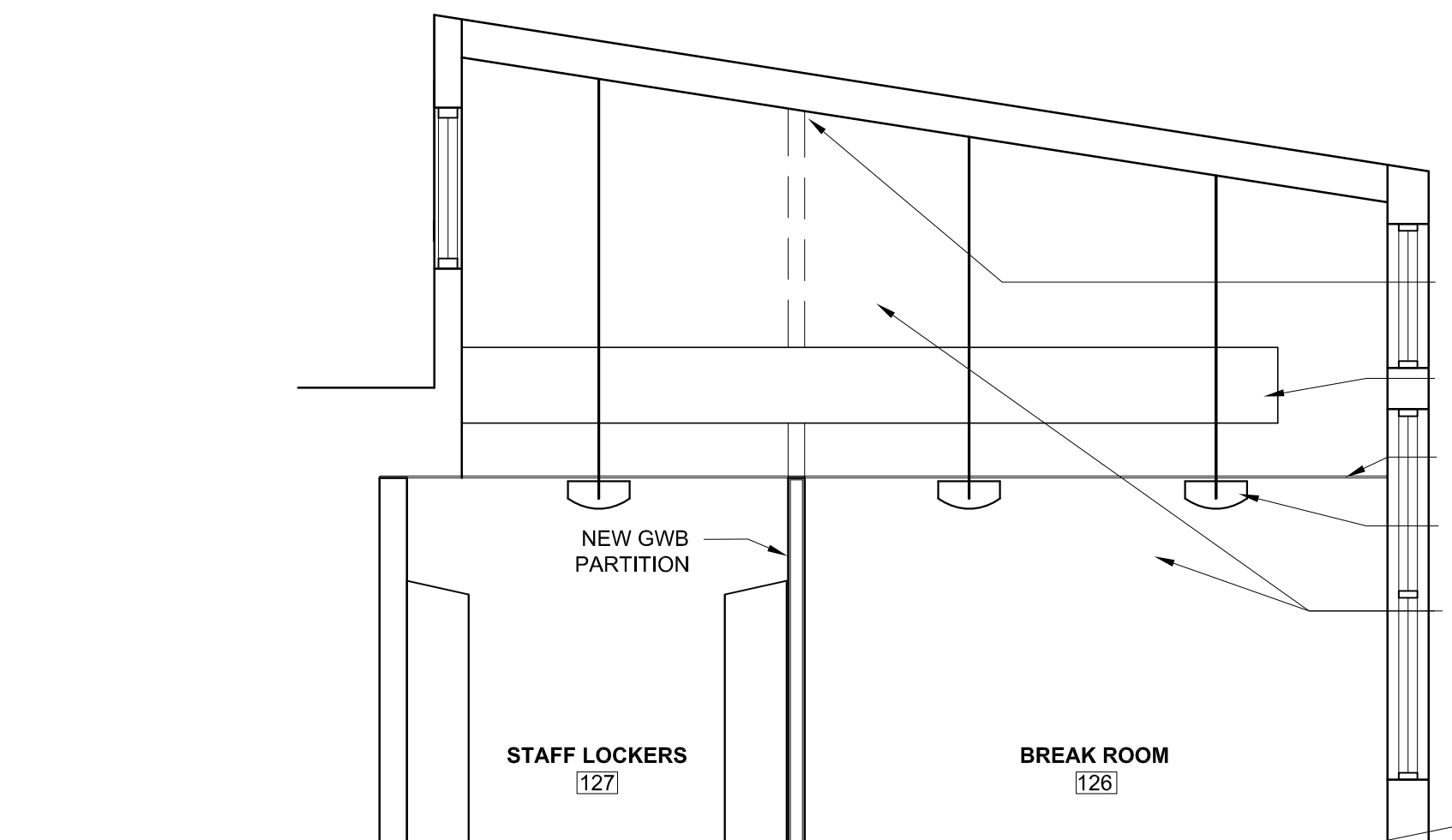
19 OFFICE
SCALE: 1/4" = 1'-0"



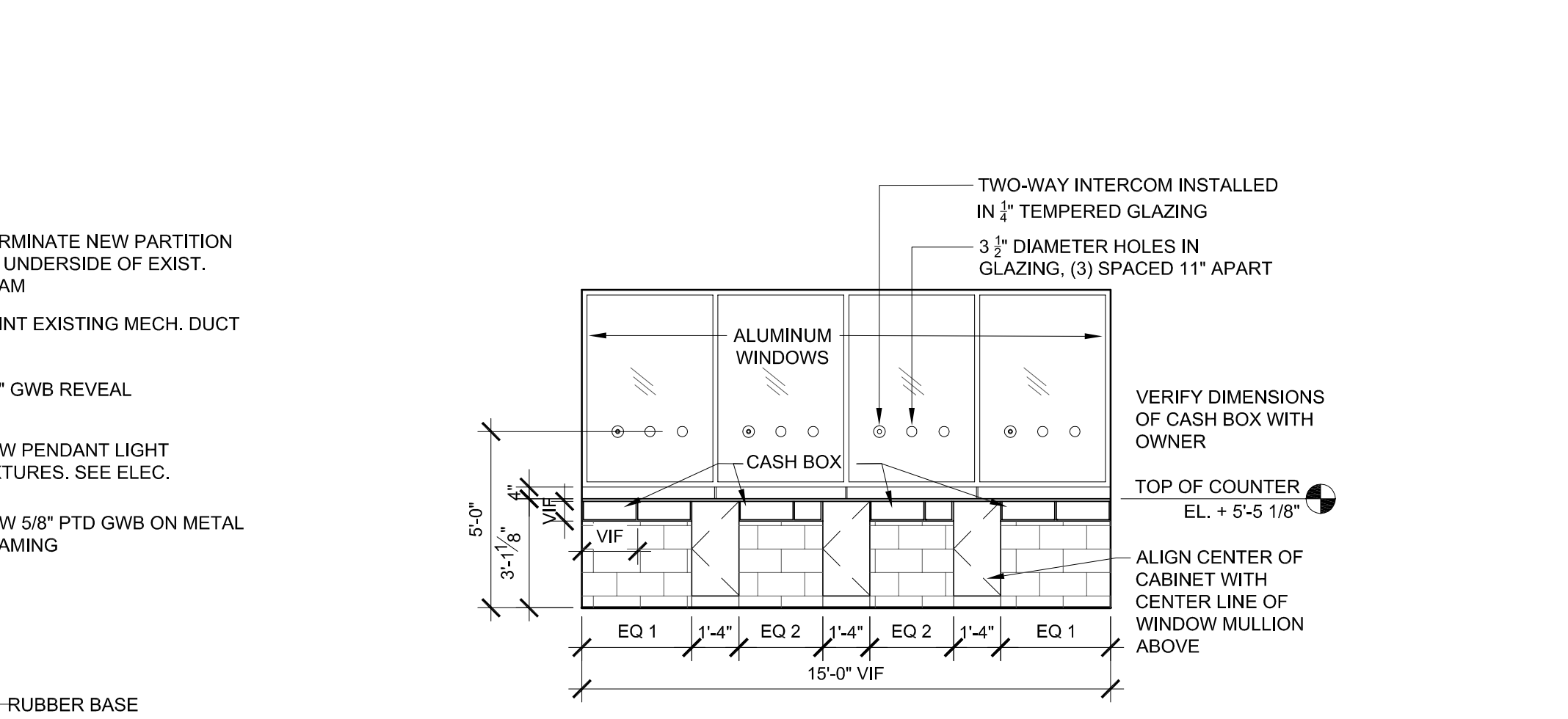
20 OFFICE
SCALE: 1/4" = 1'-0"



21 OFFICE
SCALE: 1/4" = 1'-0"



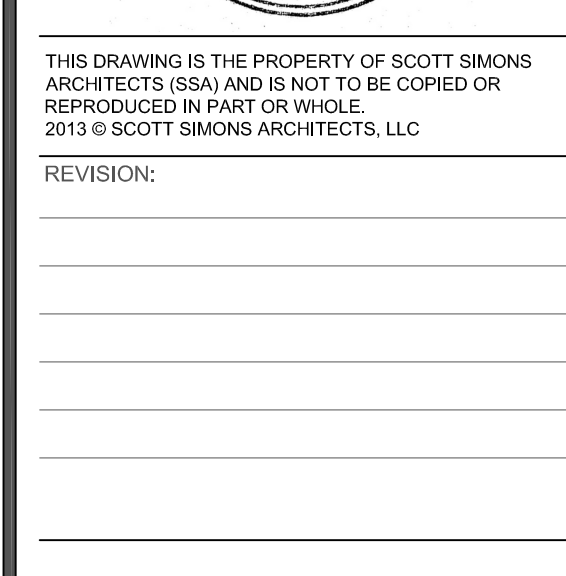
22 ELEVATION AT BREAKROOM 126
SCALE: 1/4" = 1'-0"



23 TICKET OFFICE ELEV
SCALE: 1/4" = 1'-0"



CASCO BAY FERRY TERMINAL
RENOVATIONS & ADDITIONS
56 COMMERCIAL STREET
PORTLAND, MAINE 04101
FEDERAL PROJECT NO. FBD-1836 (300) X
STATE WIN NO. 18363.10



DATE OF ISSUE: MAY 14, 2013
PROJECT NUMBER: 2011-0270
STATUS: ISSUED FOR BIDDING

ENLARGED PLANS AND INTERIOR ELEVATIONS
A501