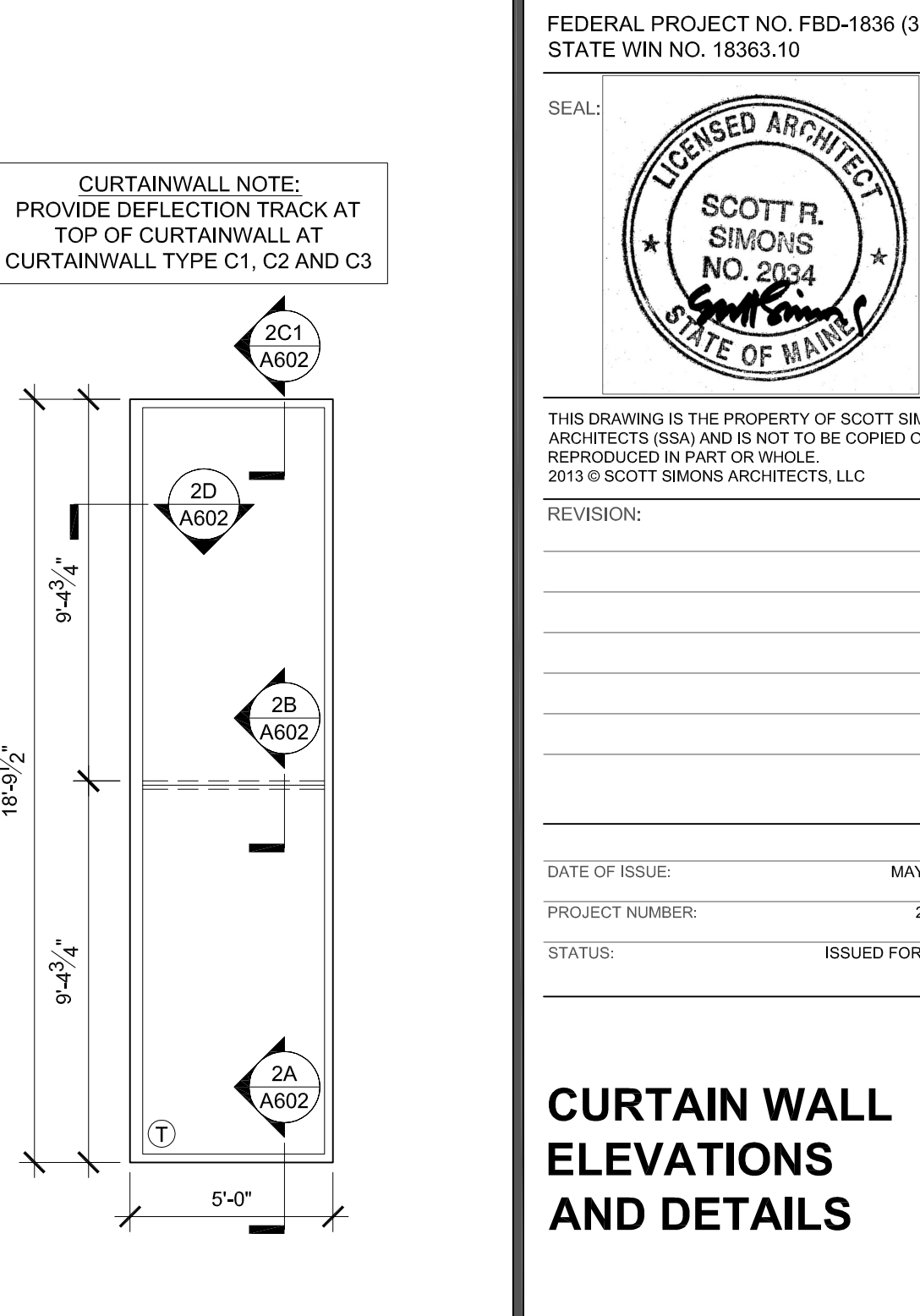
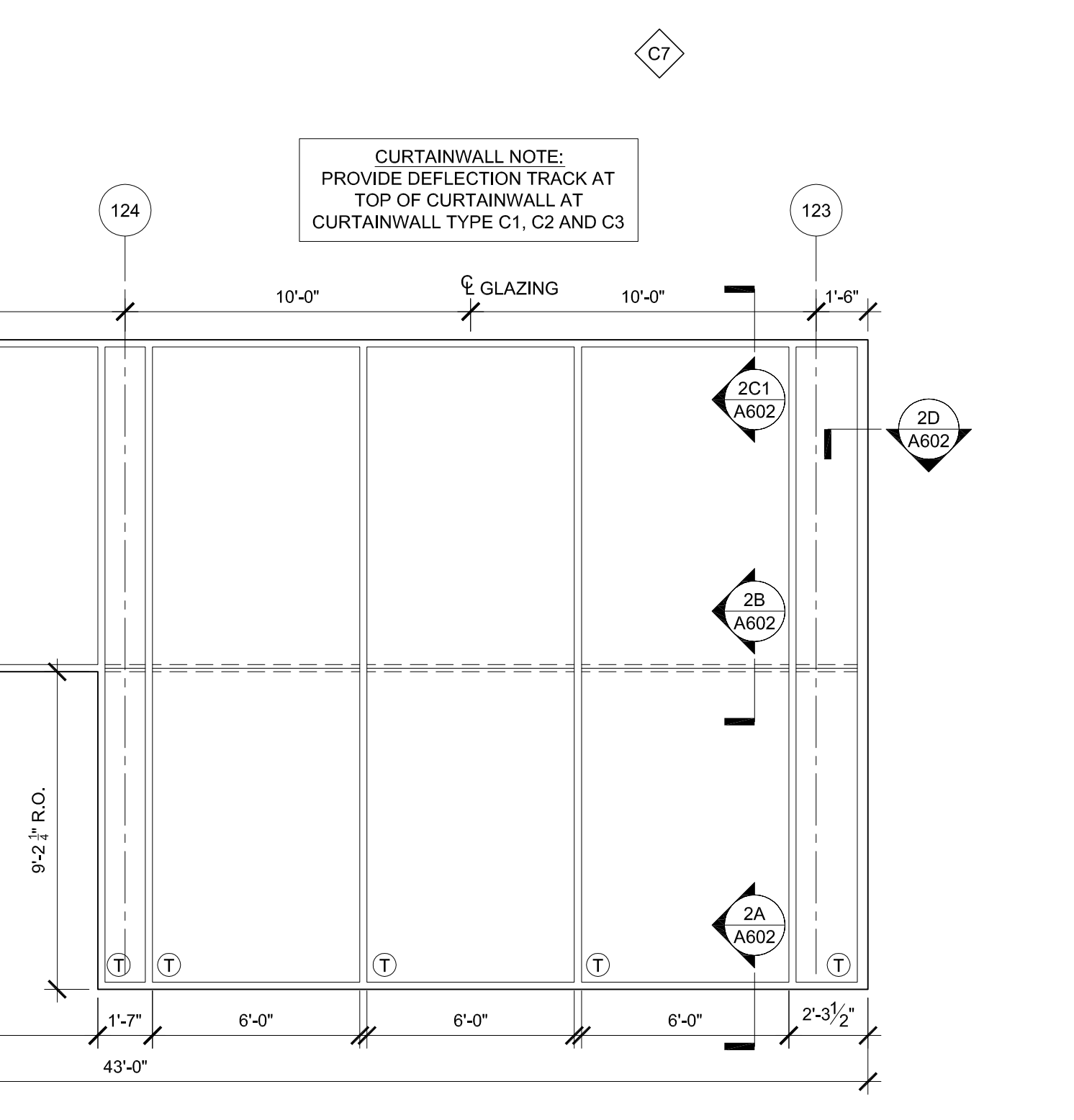
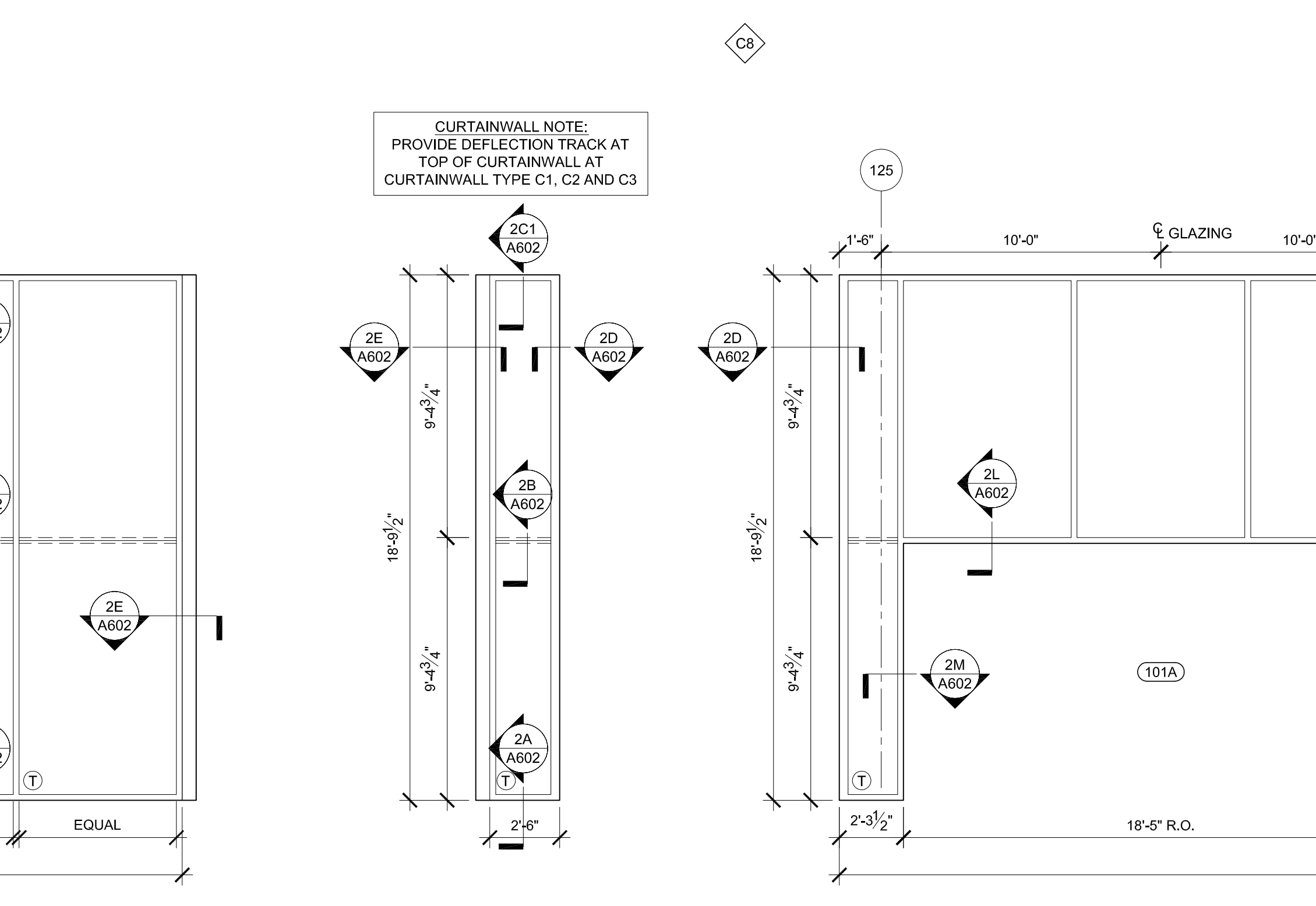
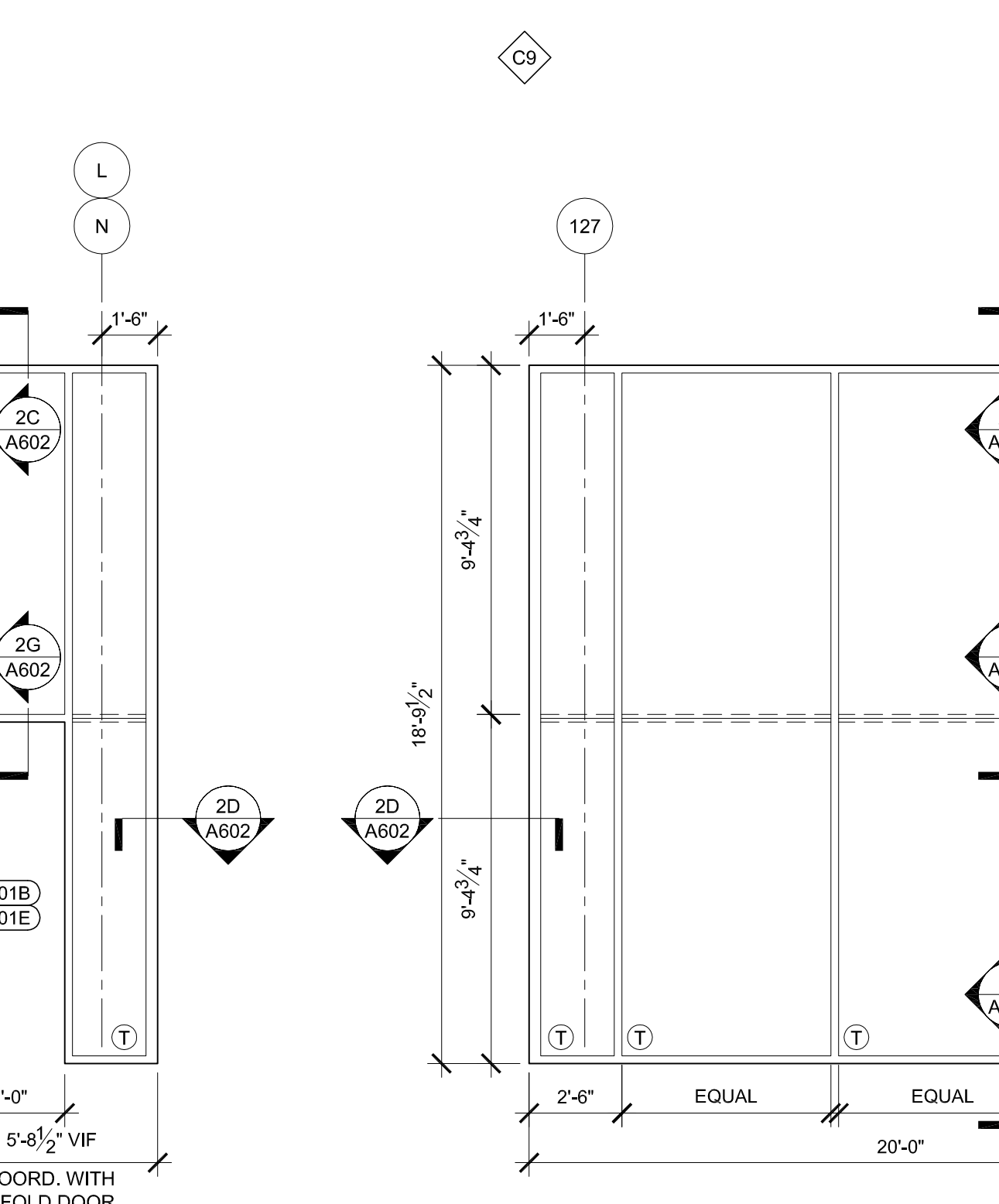
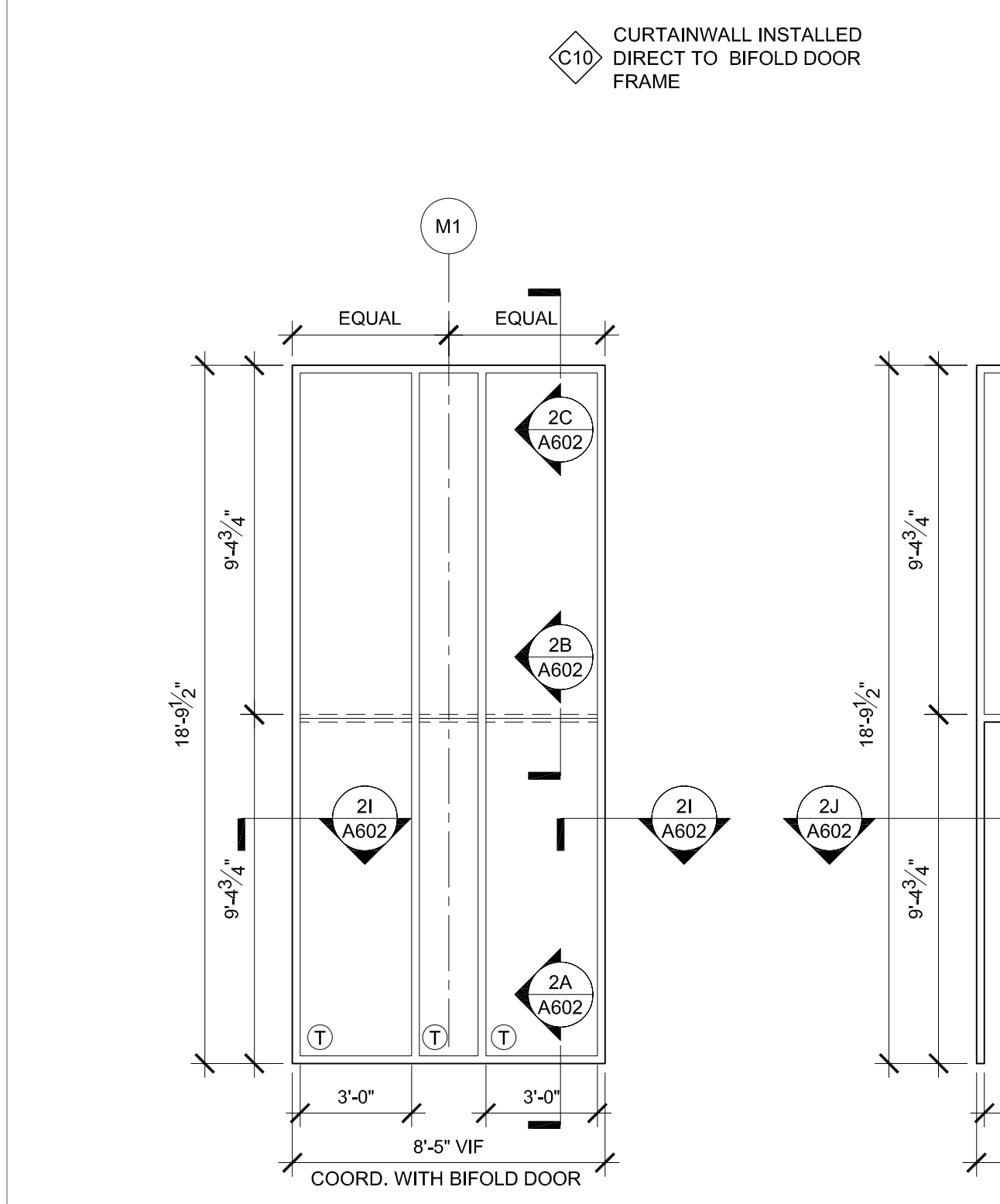
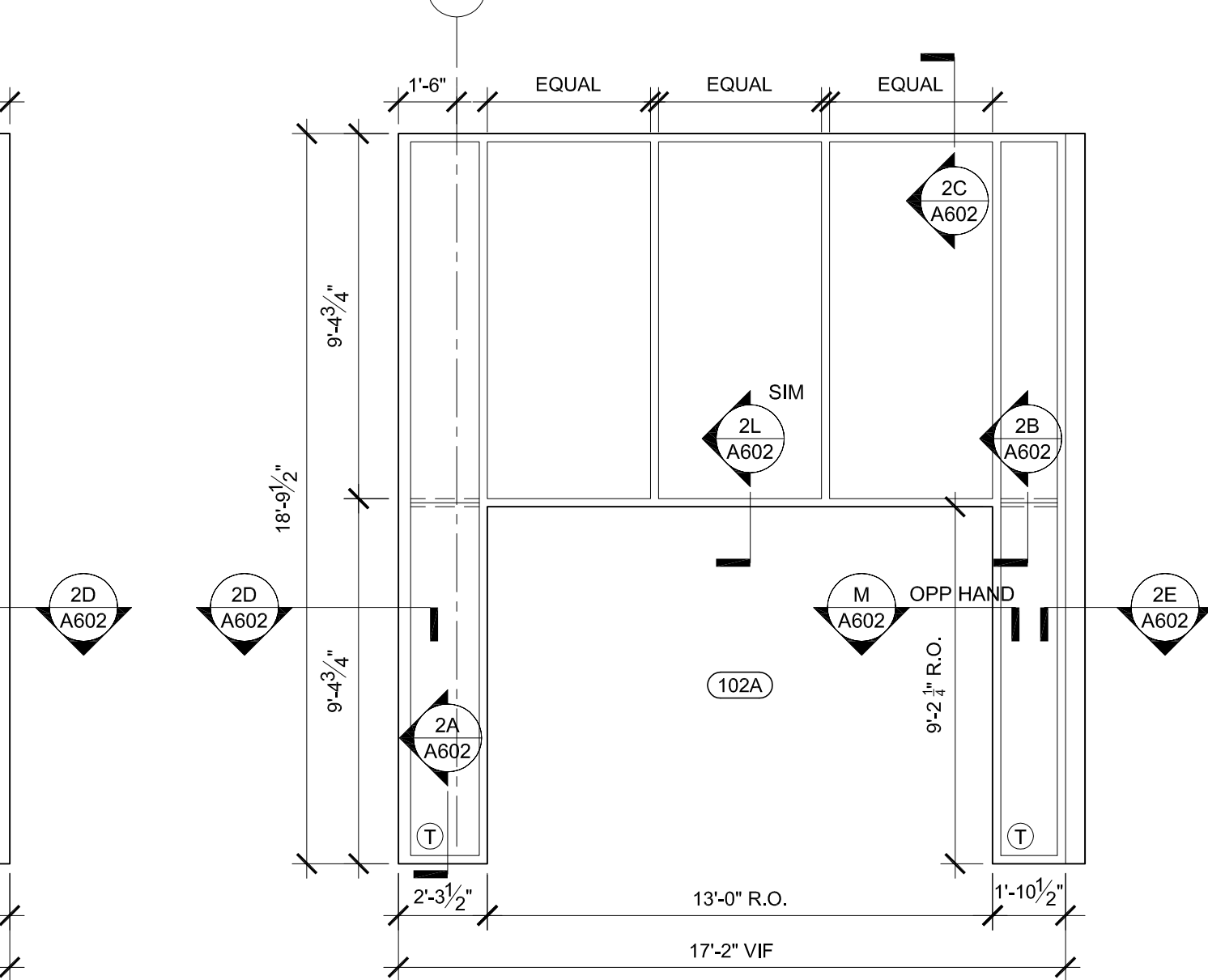
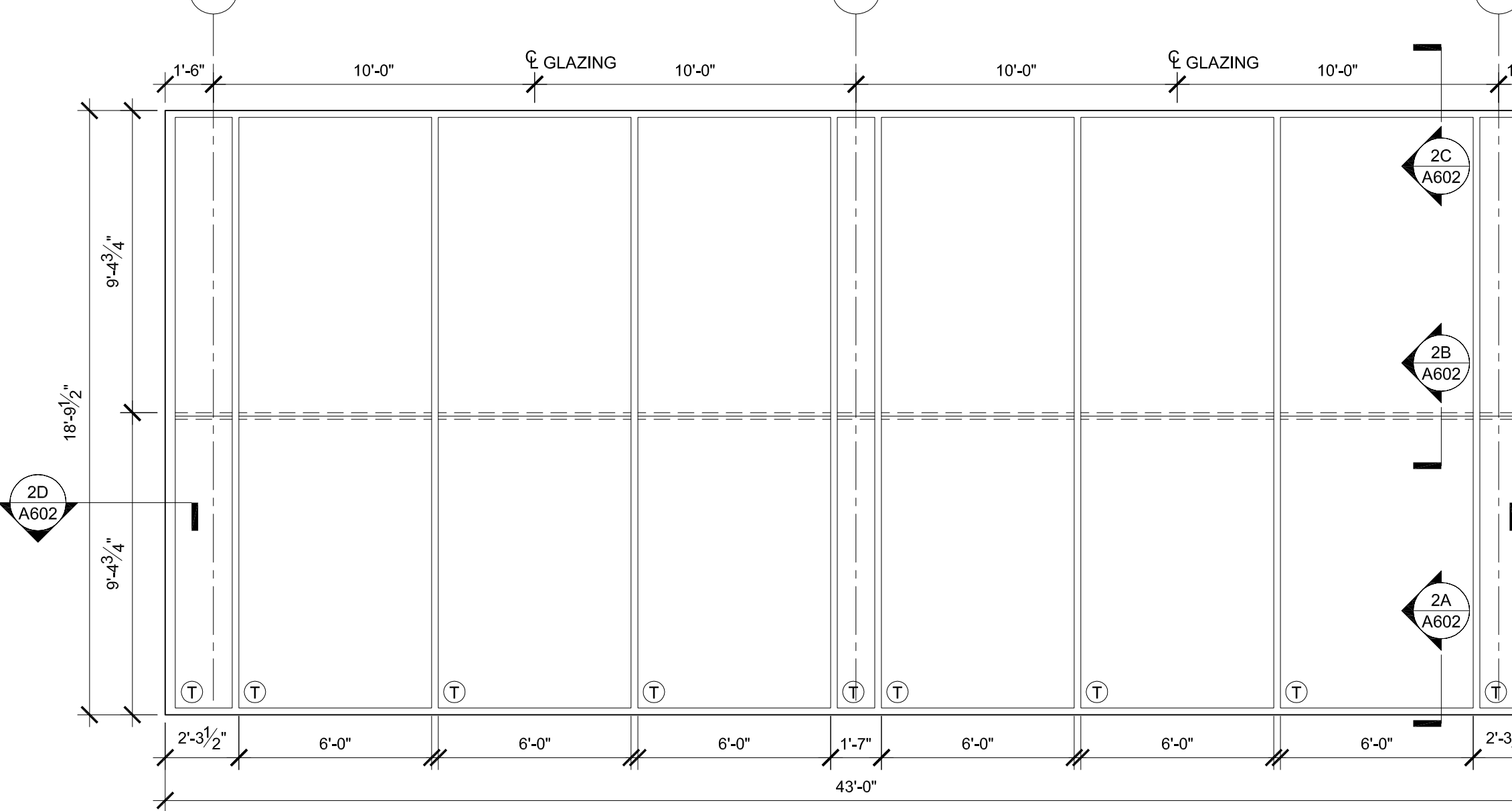
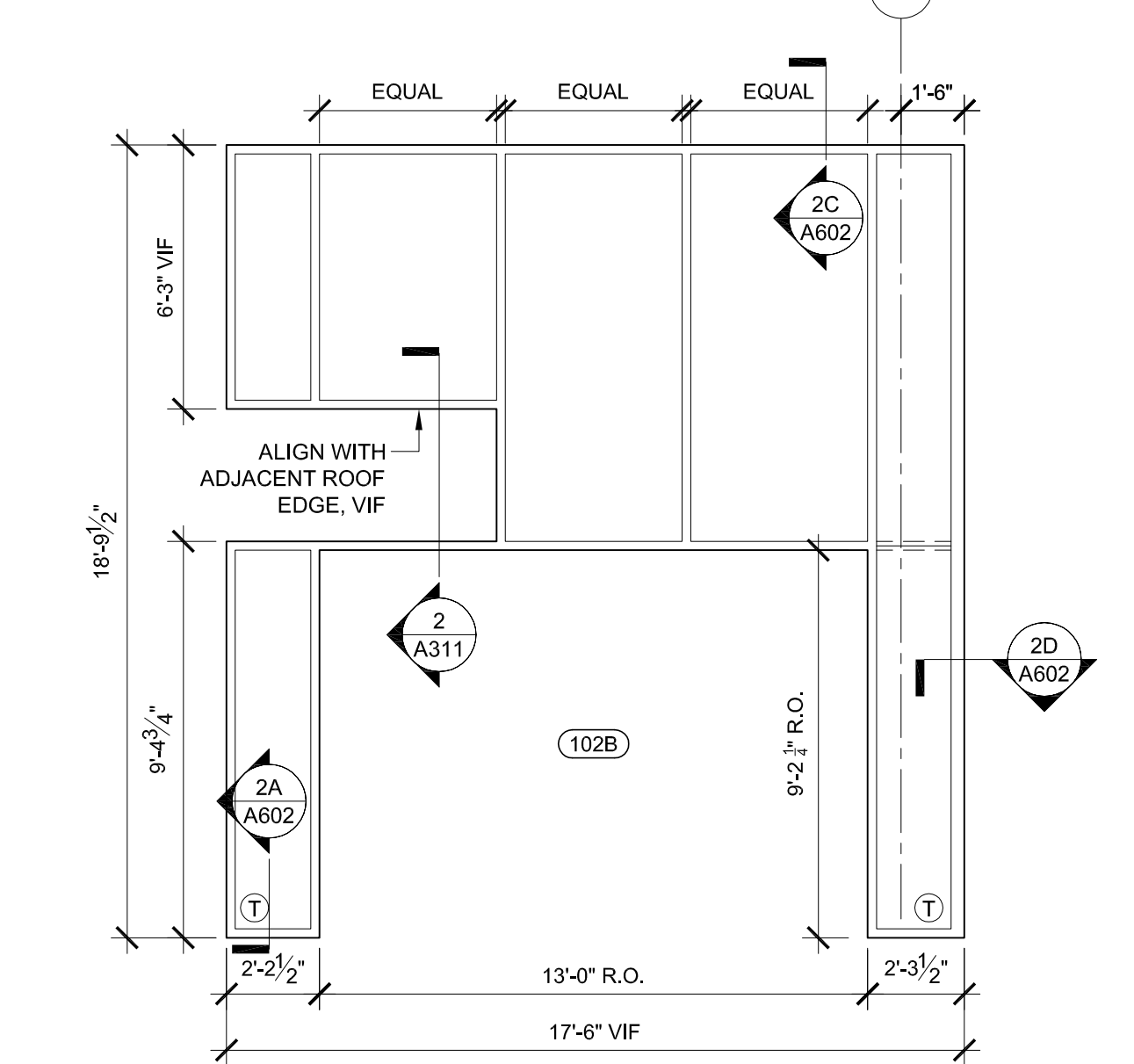
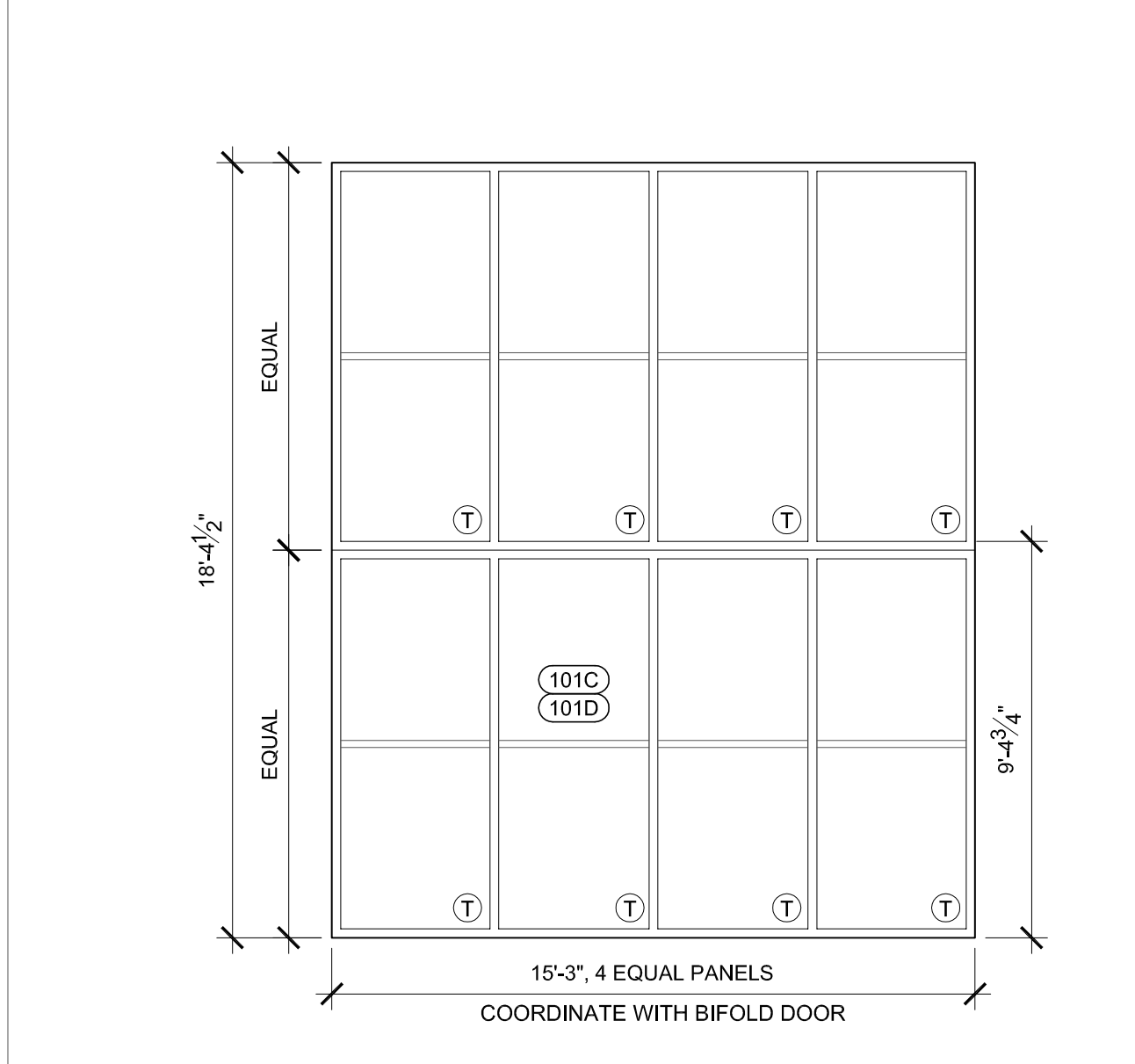


2 CURTAIN WALL DETAILS
SCALE: 3" = 1'-0"



1 CURTAIN WALL ELEVATIONS
SCALE: 1/4" = 1'-0"



SSA
Scott Simons Architects
75 York Street, Portland, Maine 04101
www.simonsarchitects.com
207.772.4656
PROJECT NAME:
CASCO BAY FERRY TERMINAL
RENOVATIONS & ADDITIONS
56 COMMERCIAL STREET
PORTLAND, MAINE 04101
FEDERAL PROJECT NO. FBD-1836 (300) X
STATE WIN NO. 18363.10
SEAL:
REGISTERED ARCHITECT
SCOTT R. SIMONS
NO. 2034
STATE OF MAINE

THIS DRAWING IS THE PROPERTY OF SCOTT SIMONS ARCHITECTS (SSA) AND IS NOT TO BE COPIED OR REPRODUCED IN PART OR WHOLE.
2013 © SCOTT SIMONS ARCHITECTS, LLC
REVISION:
DATE OF ISSUE: MAY 14, 2013
PROJECT NUMBER: 2011-0270
STATUS: ISSUED FOR BIDDING

CURTAIN WALL ELEVATIONS AND DETAILS

A602