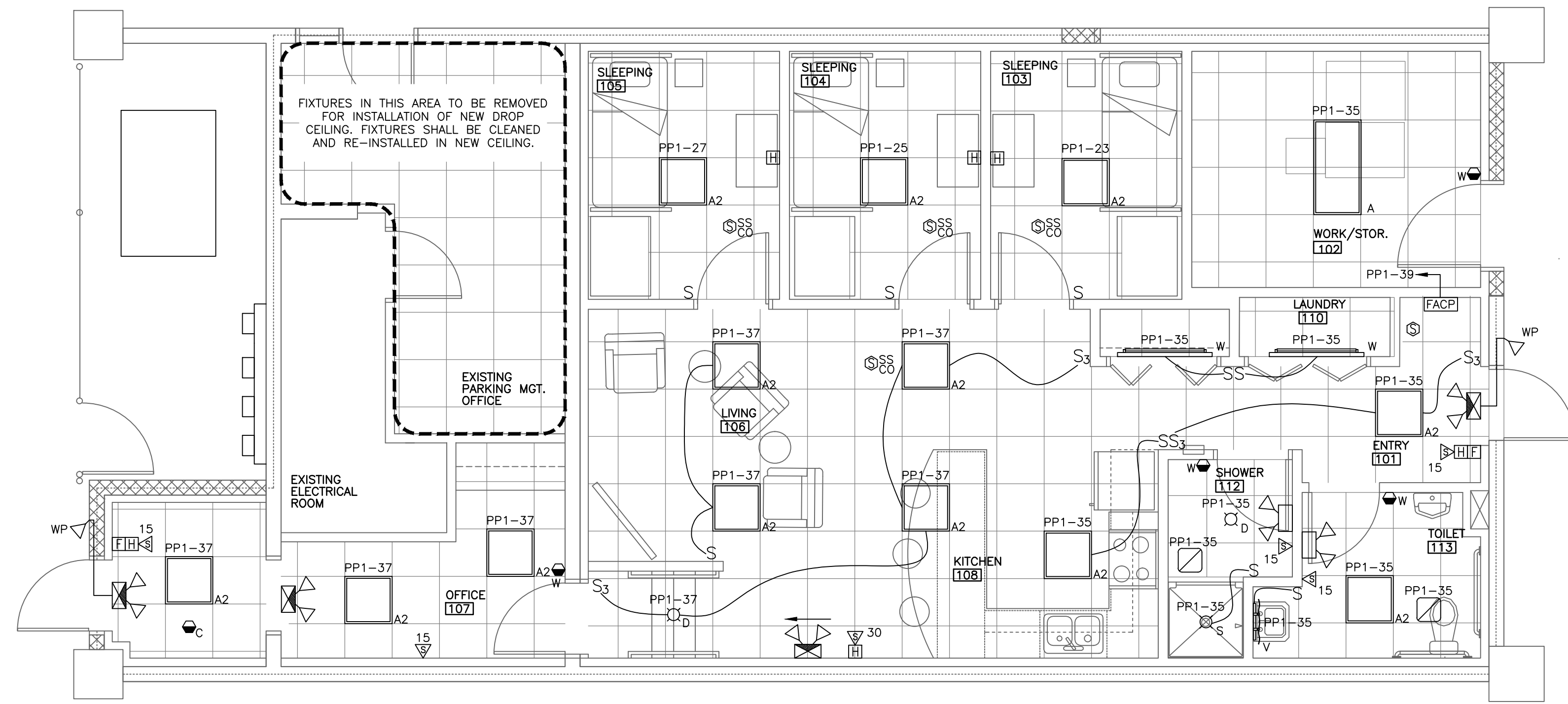


Winton Scott Architects  
 5 Milk Street  
 Portland, Maine 04101  
 207 774 4811  
 www.wintonsscott.com

Architecture / Planning  
 Preservation Architecture  
 Interior Architecture

NOTES:

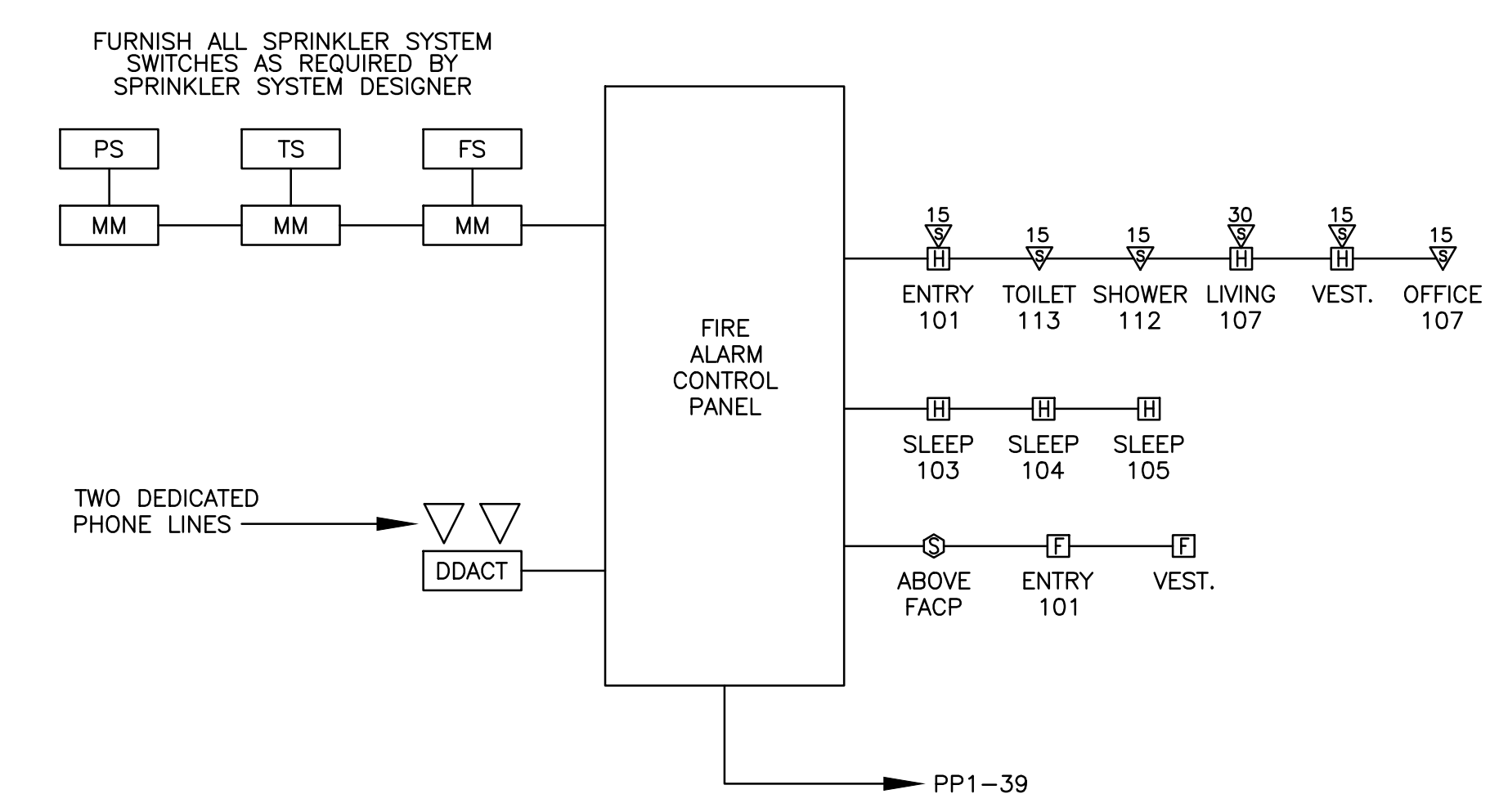
- SEE DRAWING E100 FOR GENERAL NOTES AND LEGEND.



1 ELECTRICAL LIGHTING & FIRE ALARM PLAN  
 SCALE: 1/4" = 1'-0"

LIGHT FIXTURE SCHEDULE					
TYPE	DESCRIPTION	MANUFACTURER/ CATALOG NO.	LAMPS	MOUNTING	NOTES
A	2'x4' GENERAL PURPOSE FLUORESCENT LENSED TROFFER FIXTURE WITH SUPER T8 LAMP/BALLAST COMBINATION	LITHONIA MODEL #: 2GT8232A12120	(2)-32W SUPER T8	CEILING GRID	
A2	2'x2' GENERAL PURPOSE FLUORESCENT LENSED TROFFER FIXTURE	LITHONIA MODEL #: 2GT8217A12120	(2)-17W T8	CEILING GRID	
D	6" ROUND VERTICAL OPEN DOWNLIGHT WITH SPECULAR REFLECTOR	LITHONIA MODEL #: 6VF126TRT609AZ120	(1)-26W TRIPLE TUBE CFL	CEILING RECESSED	
<del>DZ</del>	<del>6" ROUND VERTICAL OPEN DOWNLIGHT WITH SPECULAR REFLECTOR &amp; DIMMING BALLAST</del>	<del>LITHONIA MODEL #: 6VF126TRT609AZ120</del>	<del>(1)-26W TRIPLE TUBE CFL</del>	<del>CEILING RECESSED</del>	<del>FURNISH WITH DIMMING BALLAST</del>
S	6" ROUND VERTICAL SHOWER DOWNLIGHT WITH BLACK BAFFLE & DROP OPAL GLASS LENS	LITHONIA MODEL #: 6VF118TRT6LRDB3120	(1)-18W TRIPLE TUBE CFL	CEILING RECESSED	
V	WALL MNTD. VANITY FIXTURE W/ ACRYLIC LENS	LITHONIA MODEL #WP214120GEB10IS	(2)-14W T5	WALL SURFACE	
W	4"x4' GENERAL PURPOSE FLUORESCENT CLOSET STRIP FIXTURE MOUNTED ON WALL WITH SUPER T8 LAMP/BALLAST COMBINATION	LITHONIA MODEL #: C132GEB10IS	(1)-32W SUPER T8	WALL SURFACE	MOUNT FIXTURE ON WALL ABOVE CLOSET DOOR.
	EMERGENCY EGRESS BATTERY UNIT	DUAL-LITE MODEL #: LZ15-03L	LED	WALL SURFACE	
	COMBINATION THERMOPLASTIC EXIT SIGN & EMERGENCY EGRESS LIGHT W/ BATTERY/CHARGER & REMOTE CAPACITY	DUAL-LITE MODEL #: LTURW3-03L	LED	WALL SURFACE	
WP	WEATHER-PROOF REMOTE LIGHTING HEAD	DUAL-LITE MODEL #: EVOSB	LED	WALL SURFACE	

2 LIGHTING FIXTURE SCHEDULE  
 SCALE: N.T.S.



3 FIRE ALARM RISER DIAGRAM  
 SCALE: N.T.S.

Renovations To:

City of Portland  
 Fireboat Crew  
 Quarters

Main State Pier  
 Portland, Maine

CONSTRUCTION DOCUMENTS  
 October 22, 2012

ELECTRICAL  
 FIXTURE SCHEDULE,  
 LIGHTING & FIRE  
 ALARM PLANS  
 SCALE: 1/4" = 1'-0"

