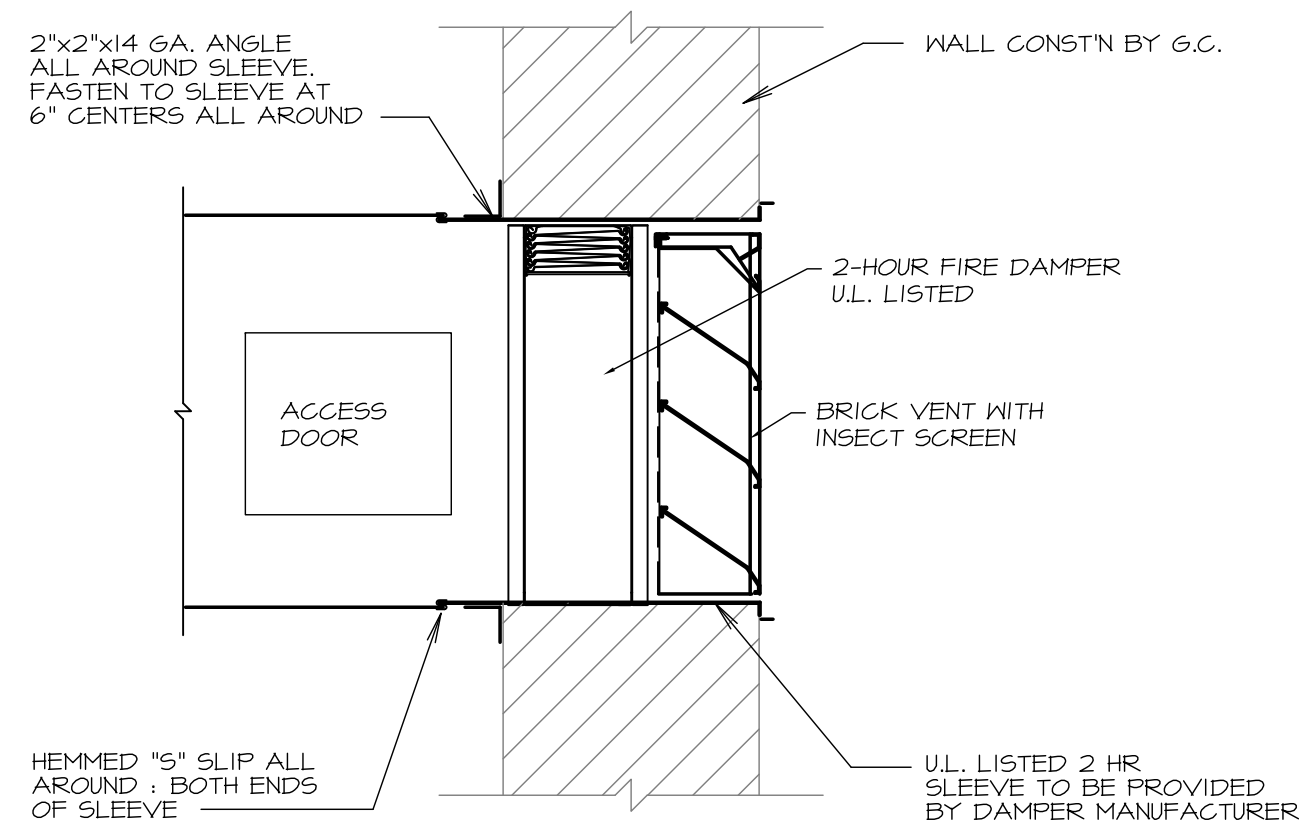




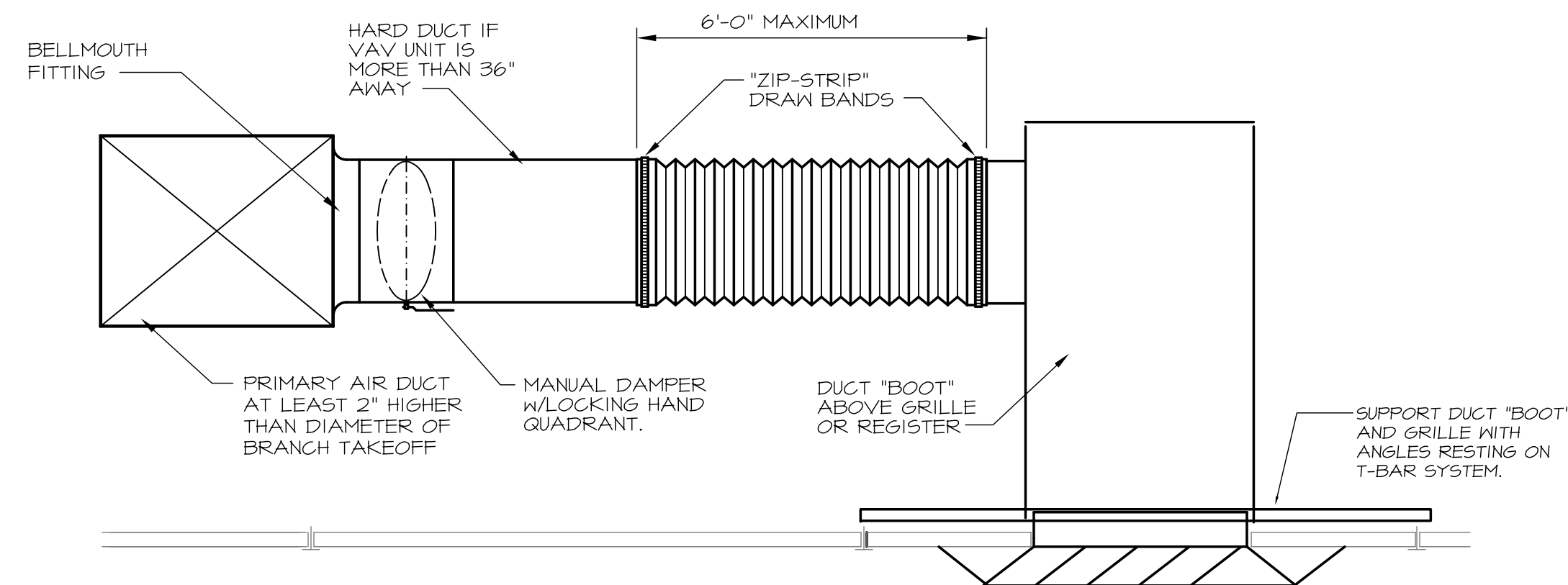
Winton Scott Architects
5 Milk Street
Portland, Maine 04101
207 774 4811
www.wintonscott.com

Architecture / Planning
Preservation Architecture
Interior Architecture

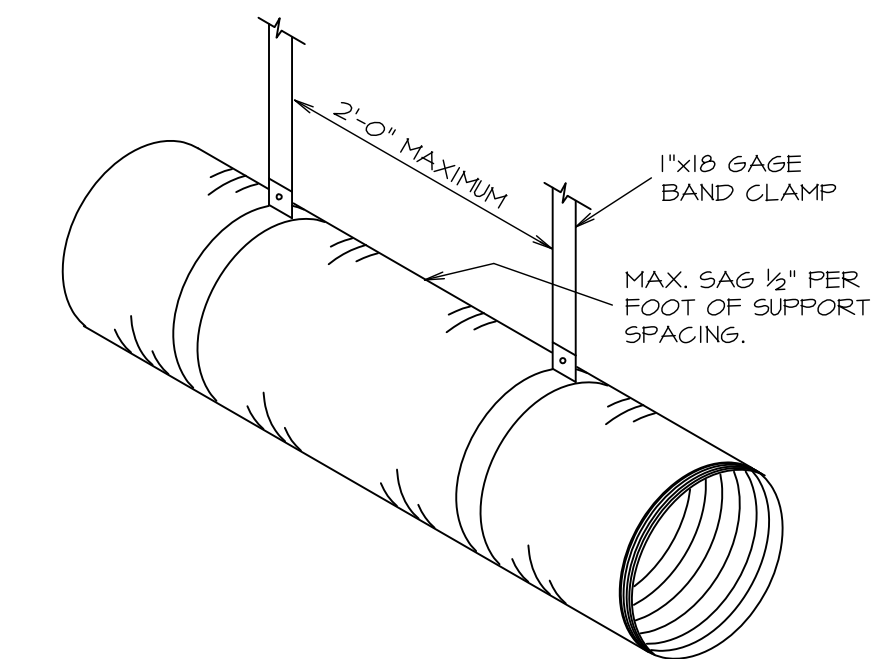


NOTE: SEE PLANS FOR DUCT AND DAMPER SIZING.

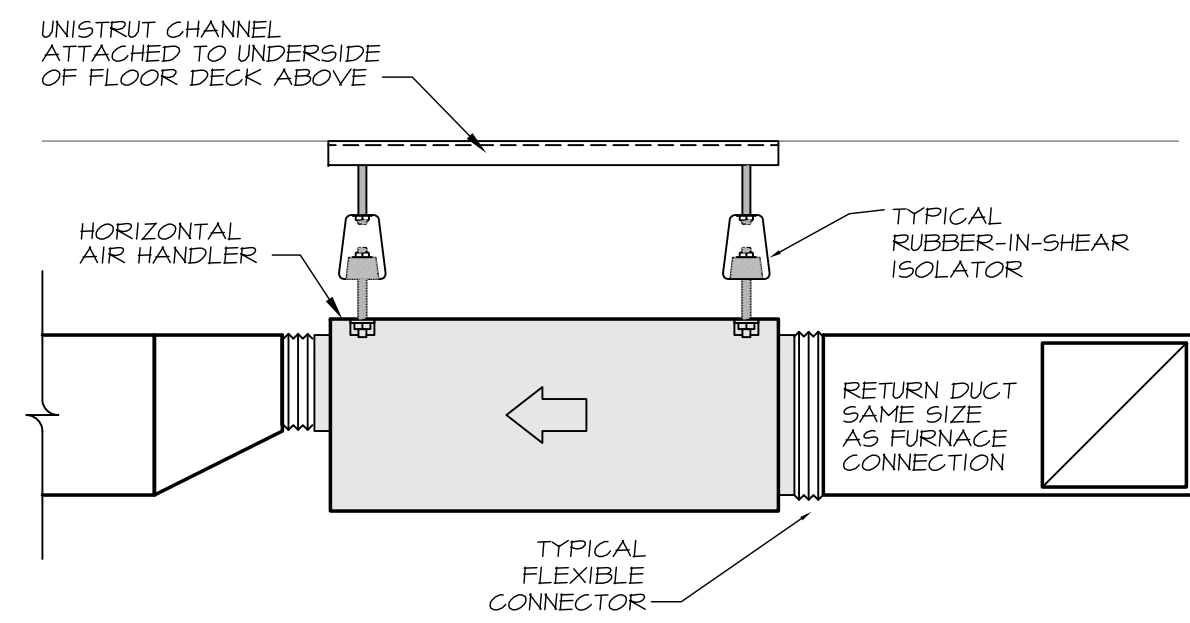
1 2-HOUR FIRE DAMPER BEHIND LOUVER
NO SCALE



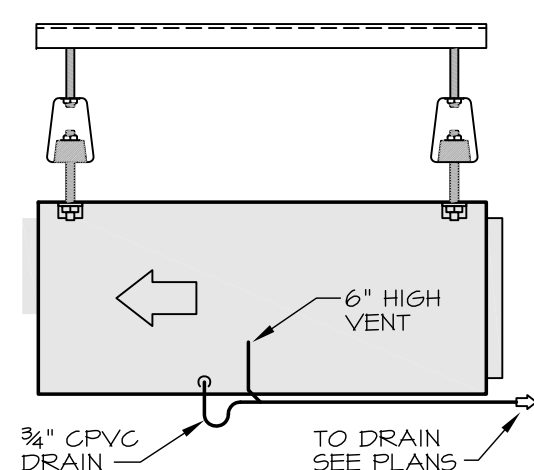
4 FLEXIBLE DUCT & DIFFUSER CONNECTION DETAIL
NO SCALE



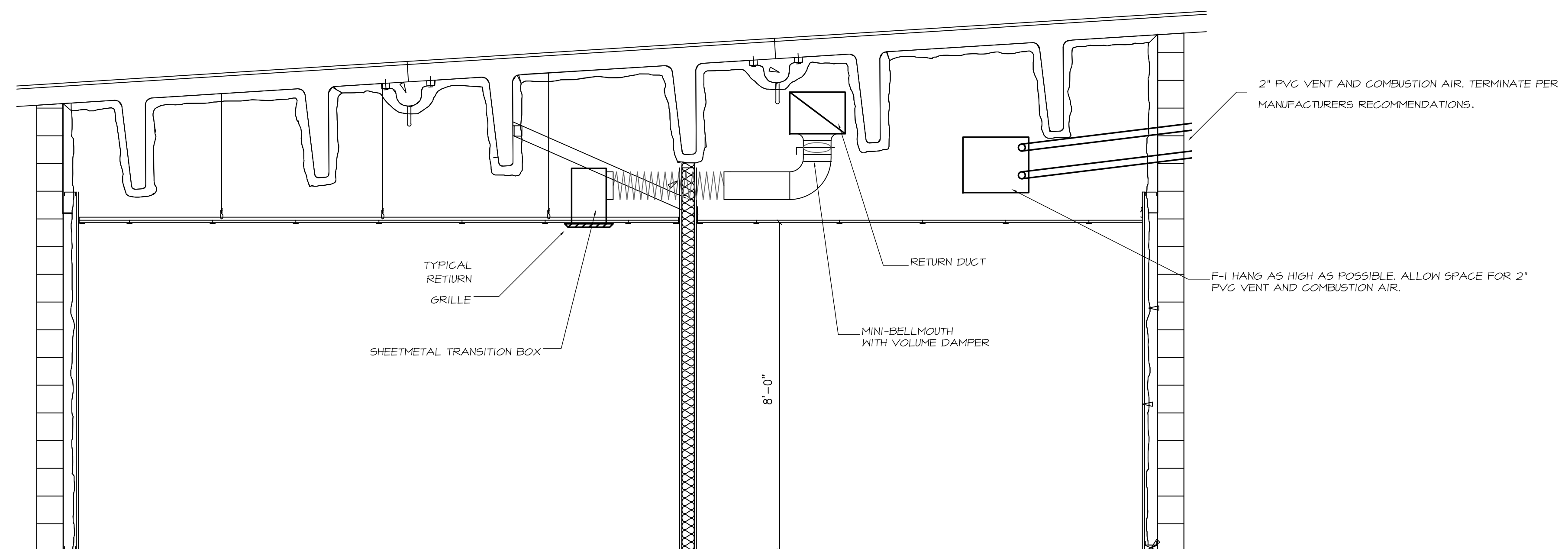
5 FLEXIBLE DUCT SUPPORT DETAIL
NO SCALE



2 TYPICAL FURNACE AND COOLING COIL HANGING DETAIL
NO SCALE



3 TYPICAL AIR HANDLER CONDENSATE DRAIN
NO SCALE



6 SECTION VIEW
1/2" = 1'-0"

City of Portland
Fire Boat Crew
Quarters

Maine State Pier
Portland, Maine

PROGRESS PRINT
October 5, 2012

MECHANICAL
DETAILS
SECTION

Scale: AS NOTED

MECHANICAL SYSTEMS ENGINEERS
ROYAL RIVER CENTER, UNIT #10
10 FOREST FALLS DRIVE
YARMOUTH, MAINE 04096
FACEBOOK: MECHANICAL SYSTEMS ENGINEERS
207-846-1441

M2



© COPYRIGHT 2012