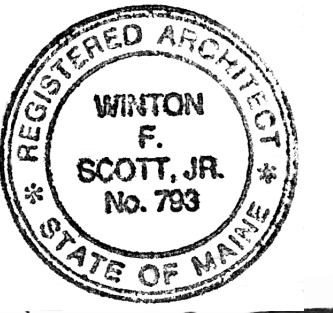




Winton Scott Architects  
5 Milk Street  
Portland, Maine 04101  
207 774 4811  
www.wintonsscott.com

Architecture / Planning  
Preservation Architecture  
Interior Architecture



*Winton Scott*

Renovations To:

City of Portland  
Fireboat Crew  
Quarters

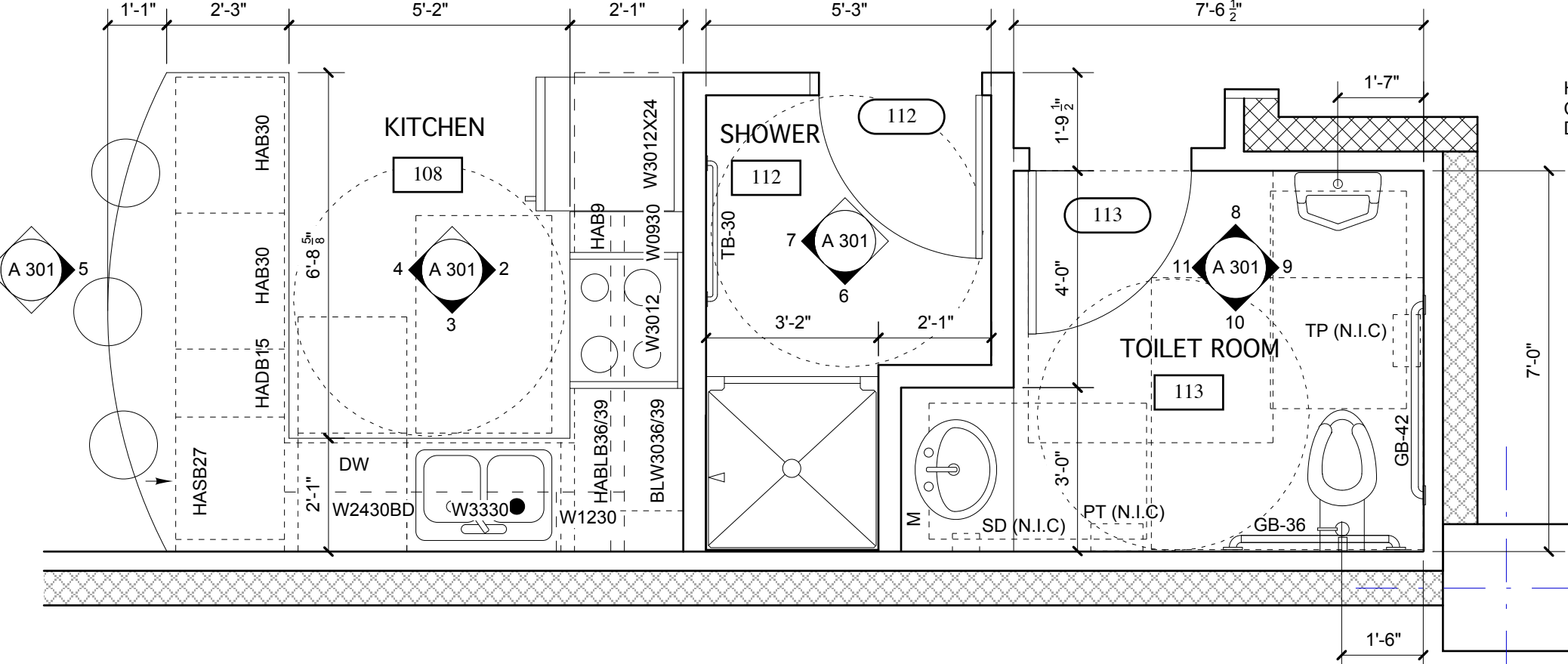
Main State Pier  
Portland, Maine

CONSTRUCTION DOCUMENTS  
October 22, 2012

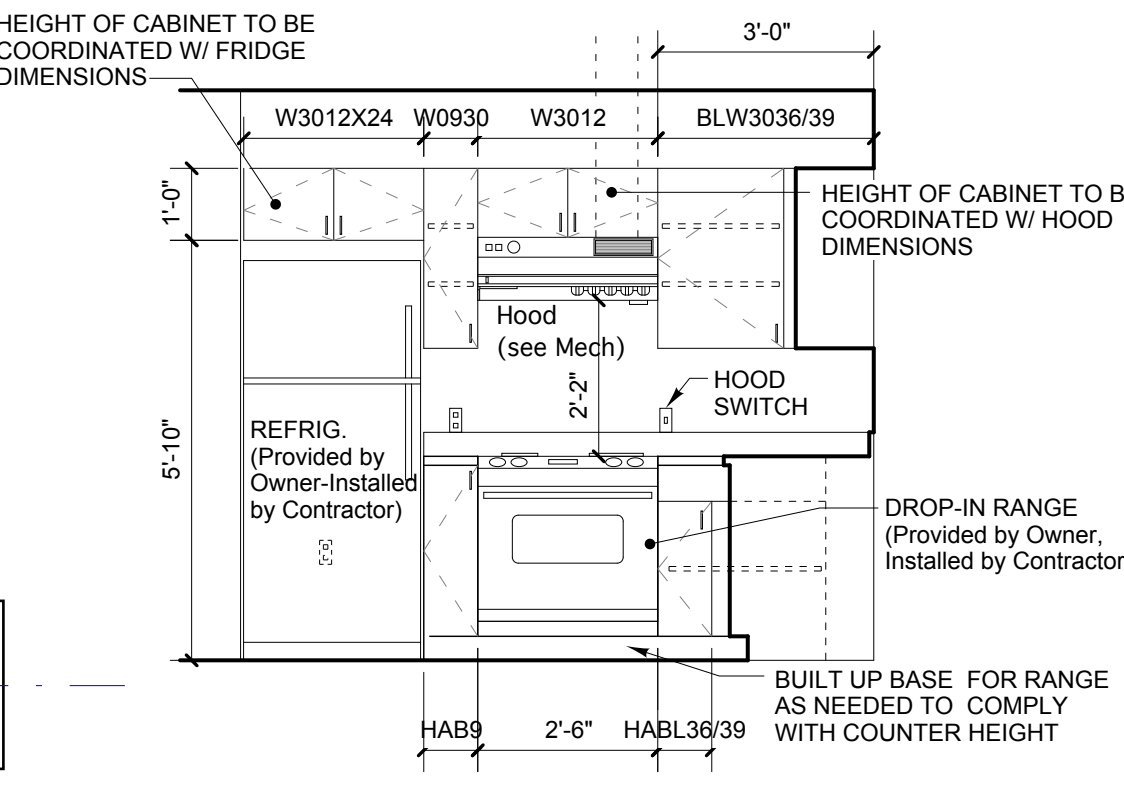
Enlarged Plans,  
Interior Elevations &  
Details

Scale: As Noted

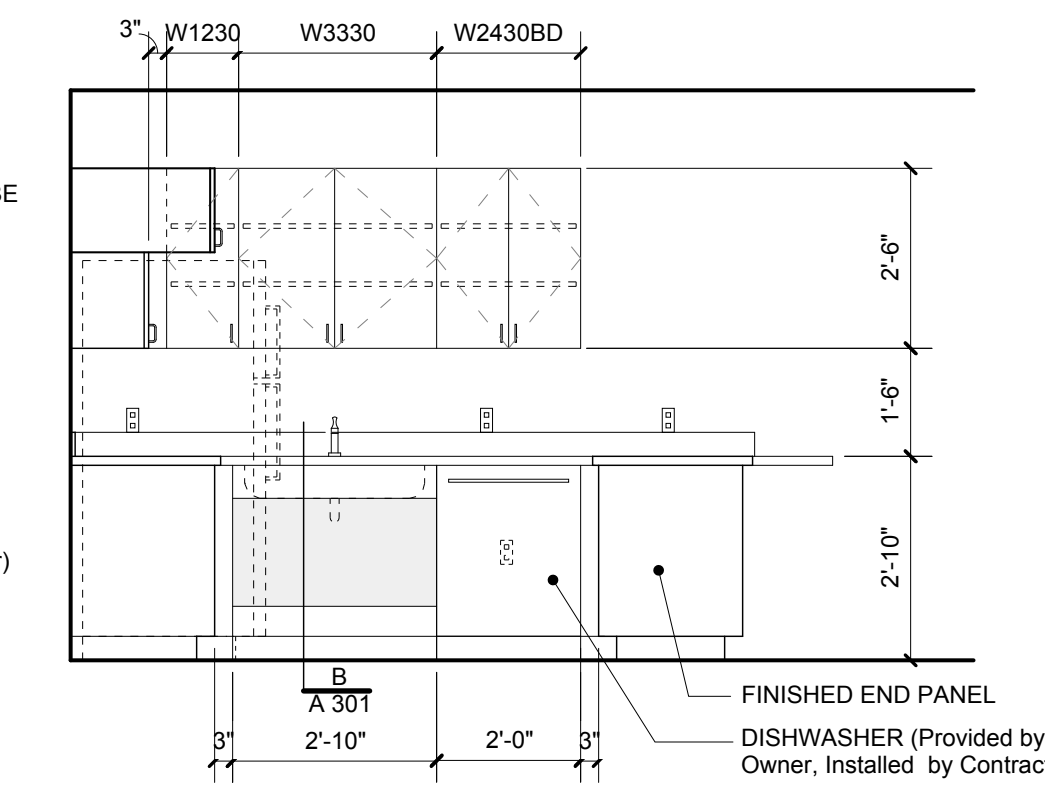
A 301



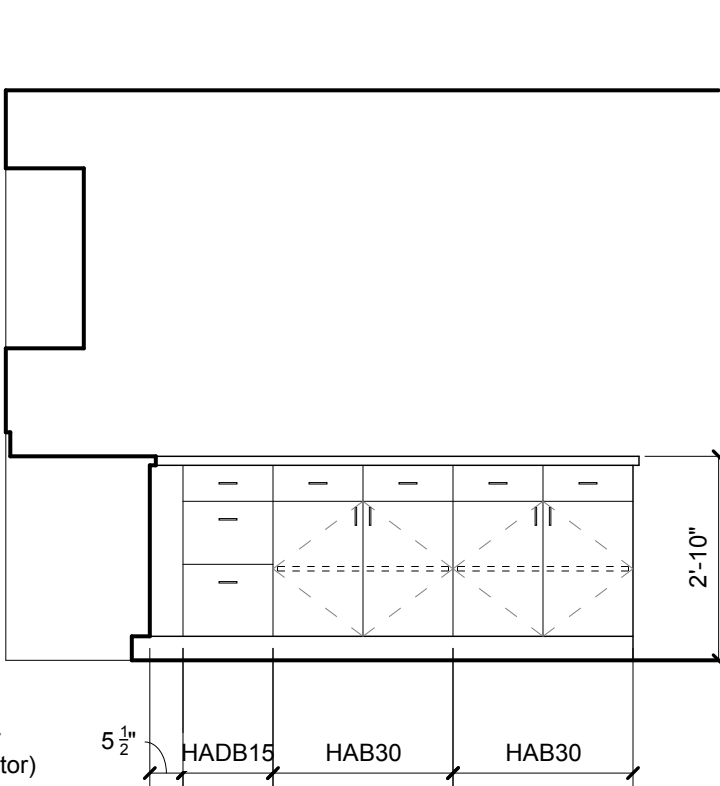
**1 ENLARGED KITCHEN, SHOWER AND TOILET ROOM PLAN**  
SCALE: 3/8" = 1'-0"



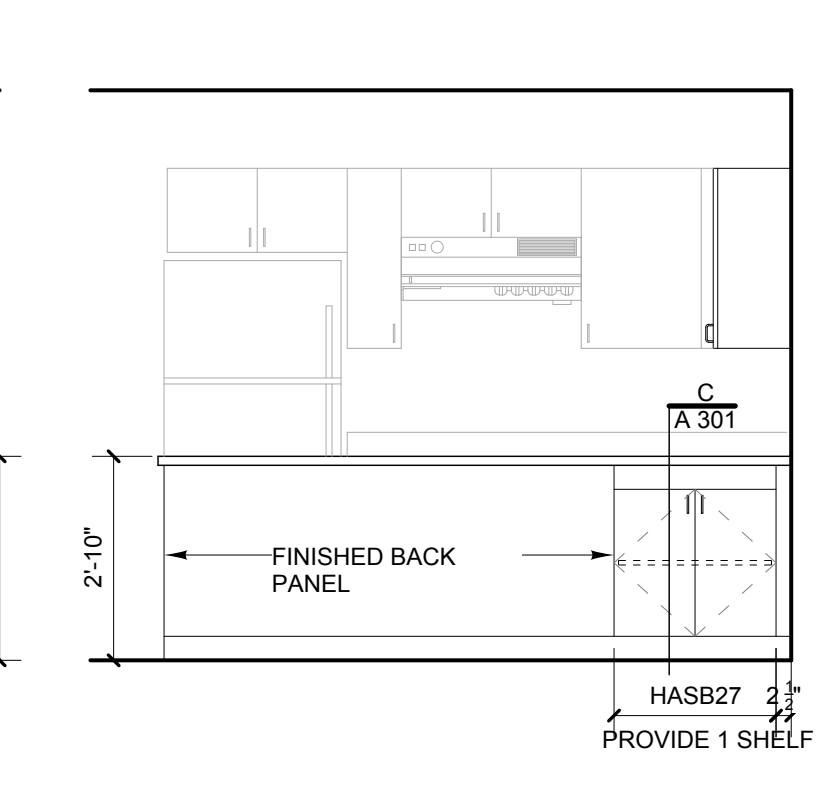
**2 KITCHEN ELEVATION**  
SCALE: 3/8" = 1'-0"



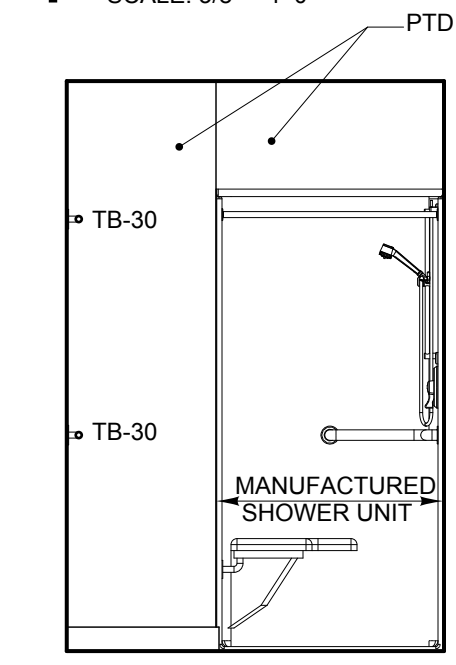
**3 KITCHEN ELEVATION**  
SCALE: 3/8" = 1'-0"



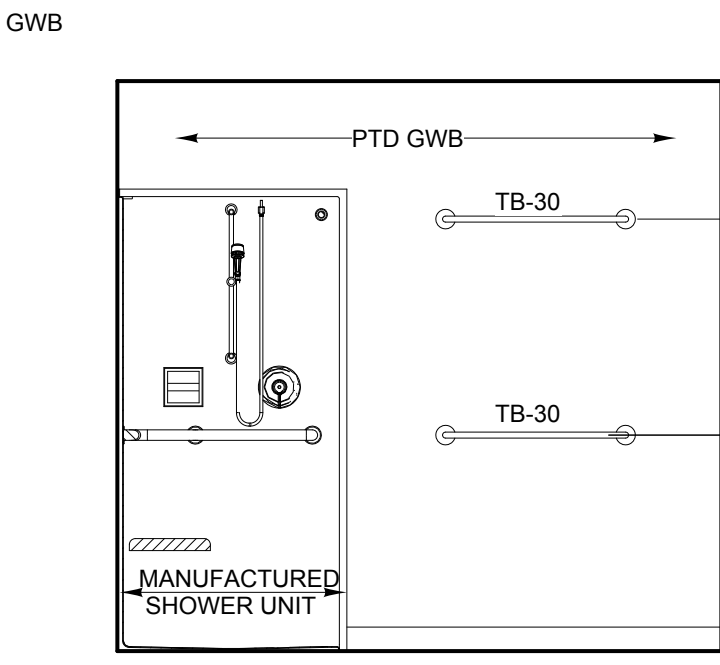
**4 KITCHEN ELEVATION**  
SCALE: 3/8" = 1'-0"



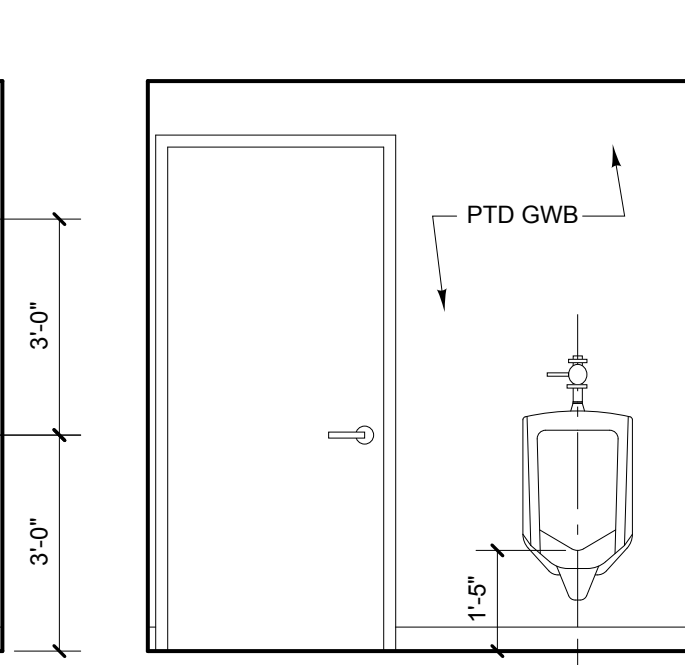
**5 KITCHEN ELEVATION**  
SCALE: 3/8" = 1'-0"



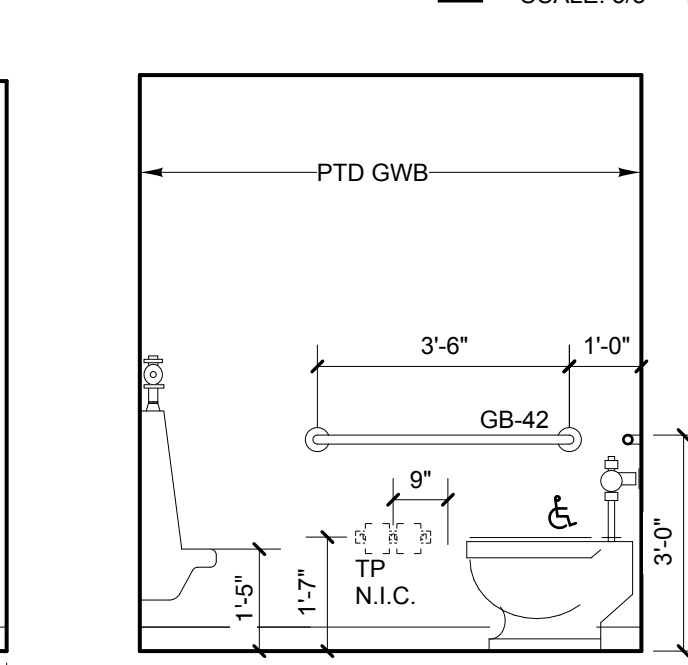
**6 SHOWER ELEV.**  
SCALE: 3/8" = 1'-0"



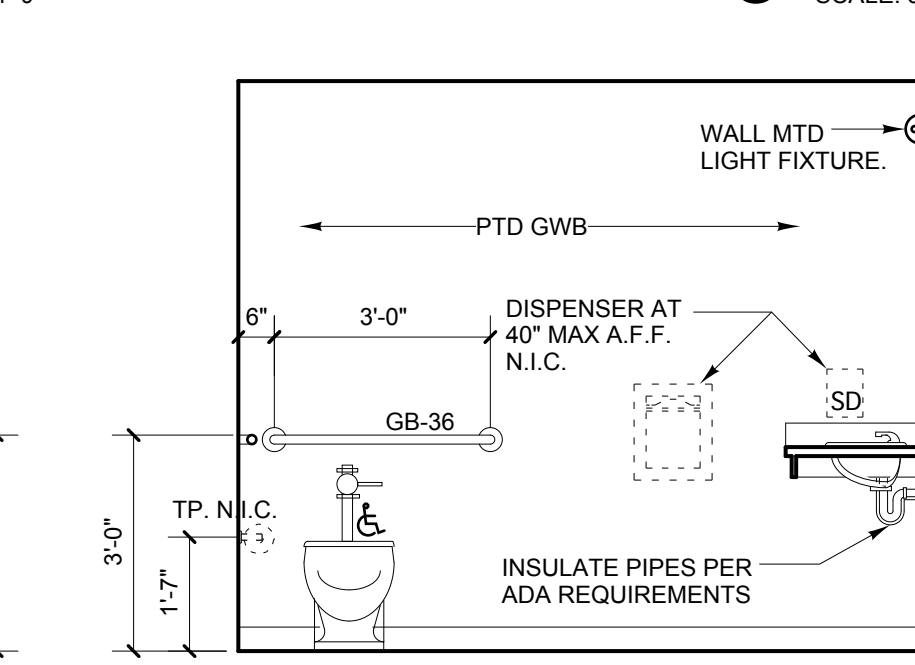
**7 SHOWER ELEV.**  
SCALE: 3/8" = 1'-0"



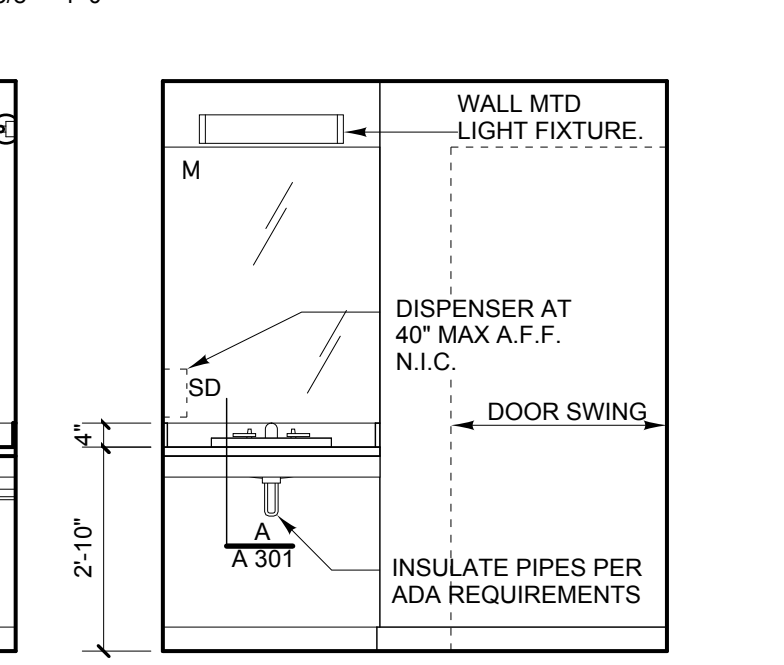
**8 TOILET ROOM ELEV.**  
SCALE: 3/8" = 1'-0"



**9 TOILET ROOM ELEV.**  
SCALE: 3/8" = 1'-0"



**10 TOILET ROOM ELEV.**  
SCALE: 3/8" = 1'-0"



**11 TOILET ROOM ELEV.**  
SCALE: 3/8" = 1'-0"

**LEGEND** SEE SPECIFICATIONS FOR TOILET ACCESSORIES

M.....FRAMELESS MIRROR W/ POLISHED EDGES

GB-42.....42" GRAB BAR

GB-36.....36" GRAB BAR

PT.....WALL MOUNTED PAPER TOWEL DISPENSER FURNISHED BY OWNER INSTALLED BY CONTRACTOR.

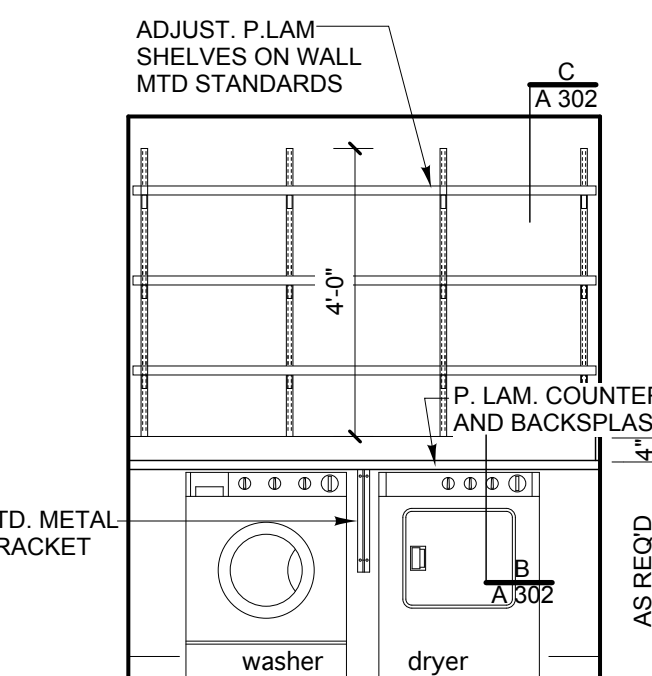
TP.....SURFACE MOUNTED TOILET PAPER FURNISHED BY OWNER INSTALLED BY CONTRACTOR.

SD.....WALL MOUNTED SOAP DISPENSER FURNISHED BY OWNER INSTALLED BY CONTRACTOR.

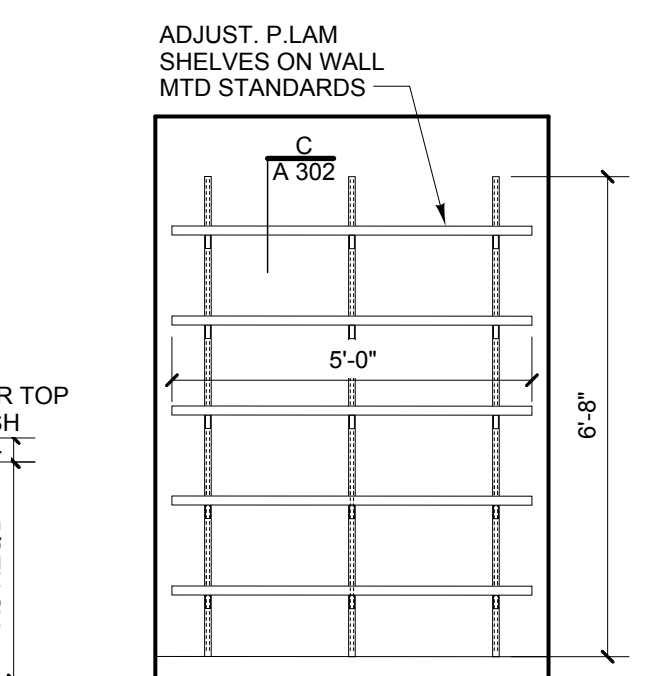
CH.....COAK HOOK - INSTALL ON SHOWER ROOM DOOR

TB-30.....30" TOWEL BAR

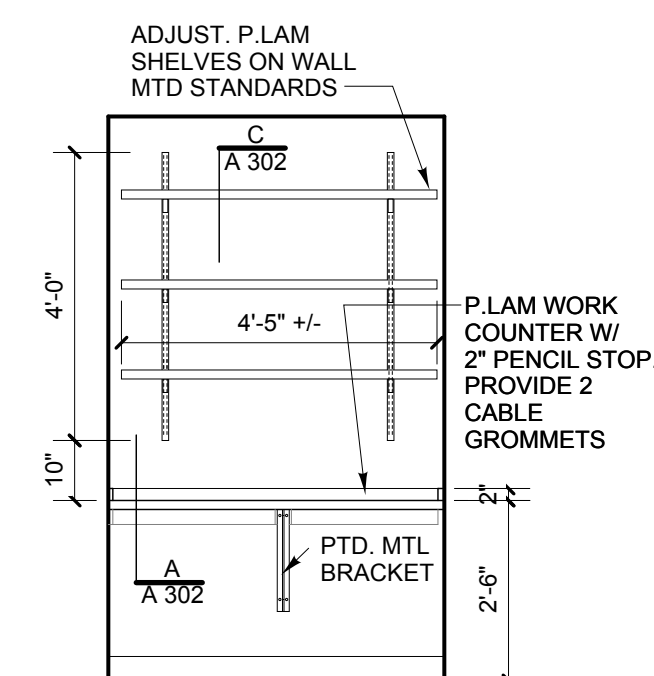
- GENERAL NOTES**
- PAPER TOWEL DISPENSER, TOILET PAPER DISPENSERS AND SOAP DISPENSERS WILL BE FURNISHED BY OWNER AND INSTALLED BY CONTRACTOR. ALL OTHER BATHROOM ACCESSORIES SHALL BE PROVIDED BY G.C. G.C. SHALL PROVIDE SOLID BLOCKING BEHIND ALL WALL MOUNTED ACCESSORIES.
  - REFER TO SPECIFICATIONS AND DETAILS FOR HARDWARE DESCRIPTIONS.
  - DIMENSIONS ARE TO FACE OF FINISHED WALL, AND EDGE OF FIXTURE/ ACCESSORY UNLESS INDICATED OTHERWISE. CONTACT ARCHITECT IF DISCREPANCIES ARE FOUND.
  - INSULATE ALL EXPOSED PIPES AT SINKS PER ADA REQUIREMENTS, TYPICAL.
  - KITCHEN AND VANITY COUNTER TOPS SHALL BE GRANITE WITH 1 1/2" NOSING WITH EASED EDGE.
  - ALL KITCHEN CABINETS SHALL BE FROM ARMSTRONG AS DESCRIBED IN SPECIFICATIONS. CABINET NUMBERS ON PLANS & ELEVATIONS USES ARMSTRONG NUMBERING SYSTEM
  - G.C. SHALL VERIFY ALL DIMENSIONS BEFORE CABINET FABRICATION



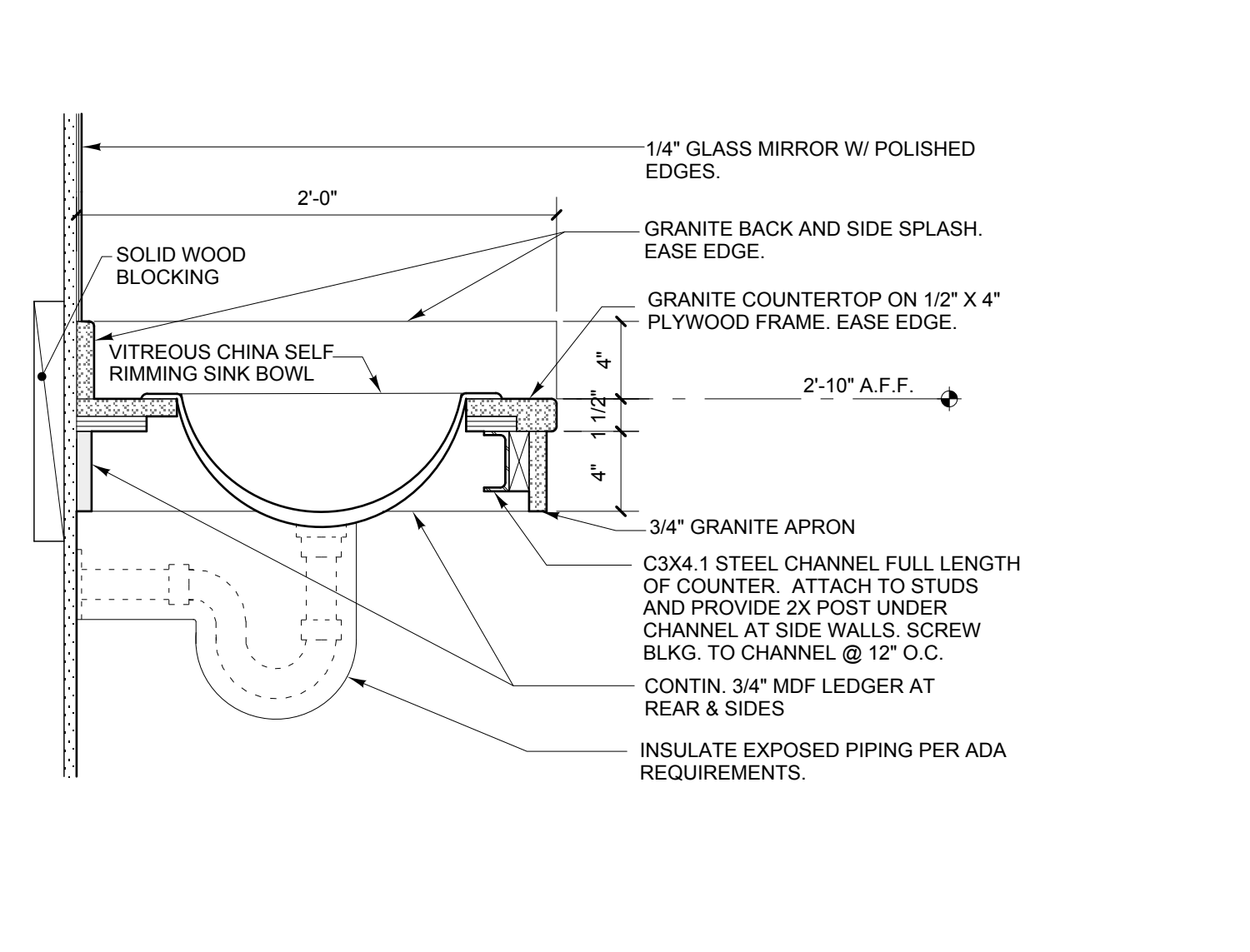
**12 LAUNDRY CLOSET**  
SCALE: 3/8" = 1'-0"



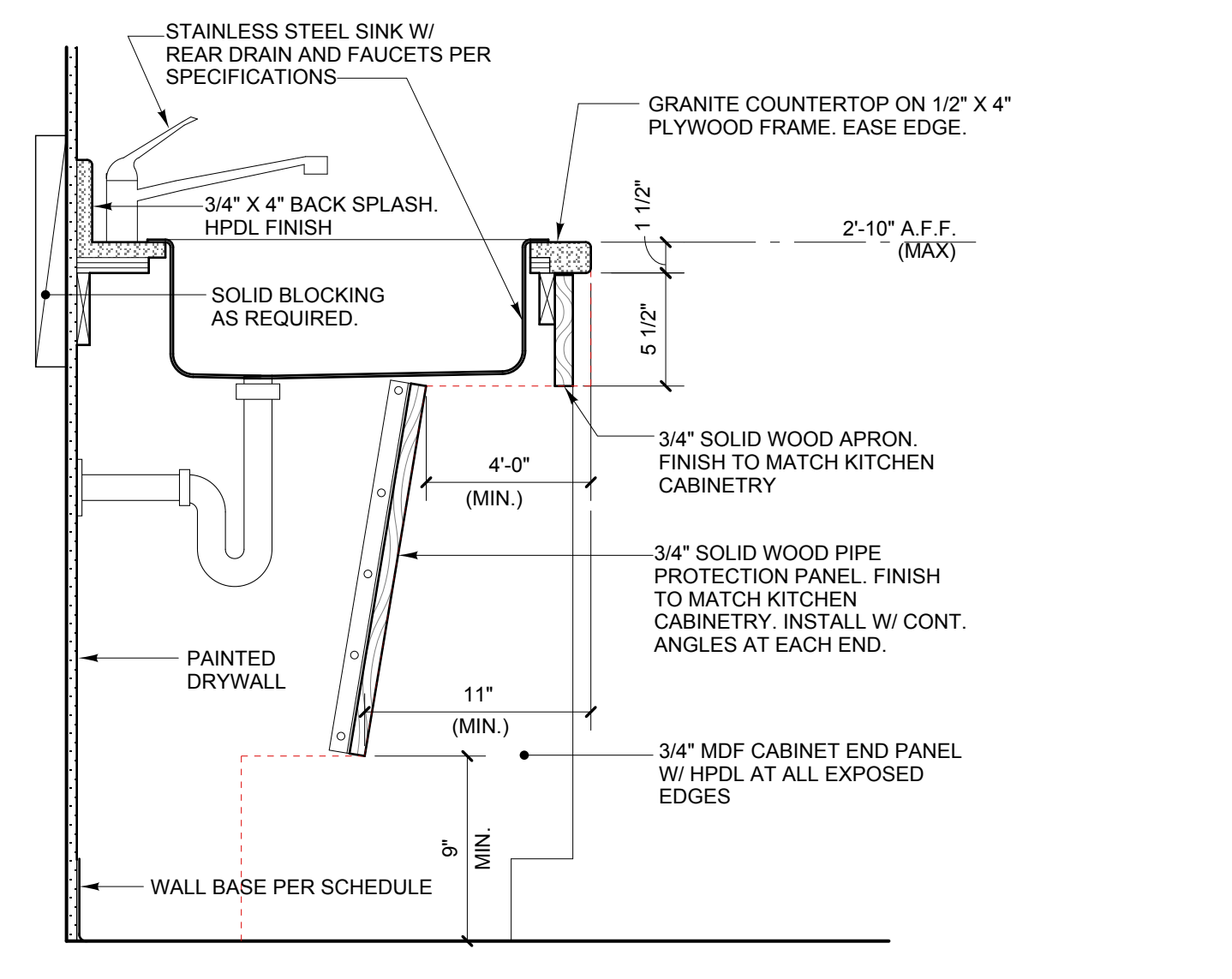
**13 CLOSET 109**  
SCALE: 3/8" = 1'-0"



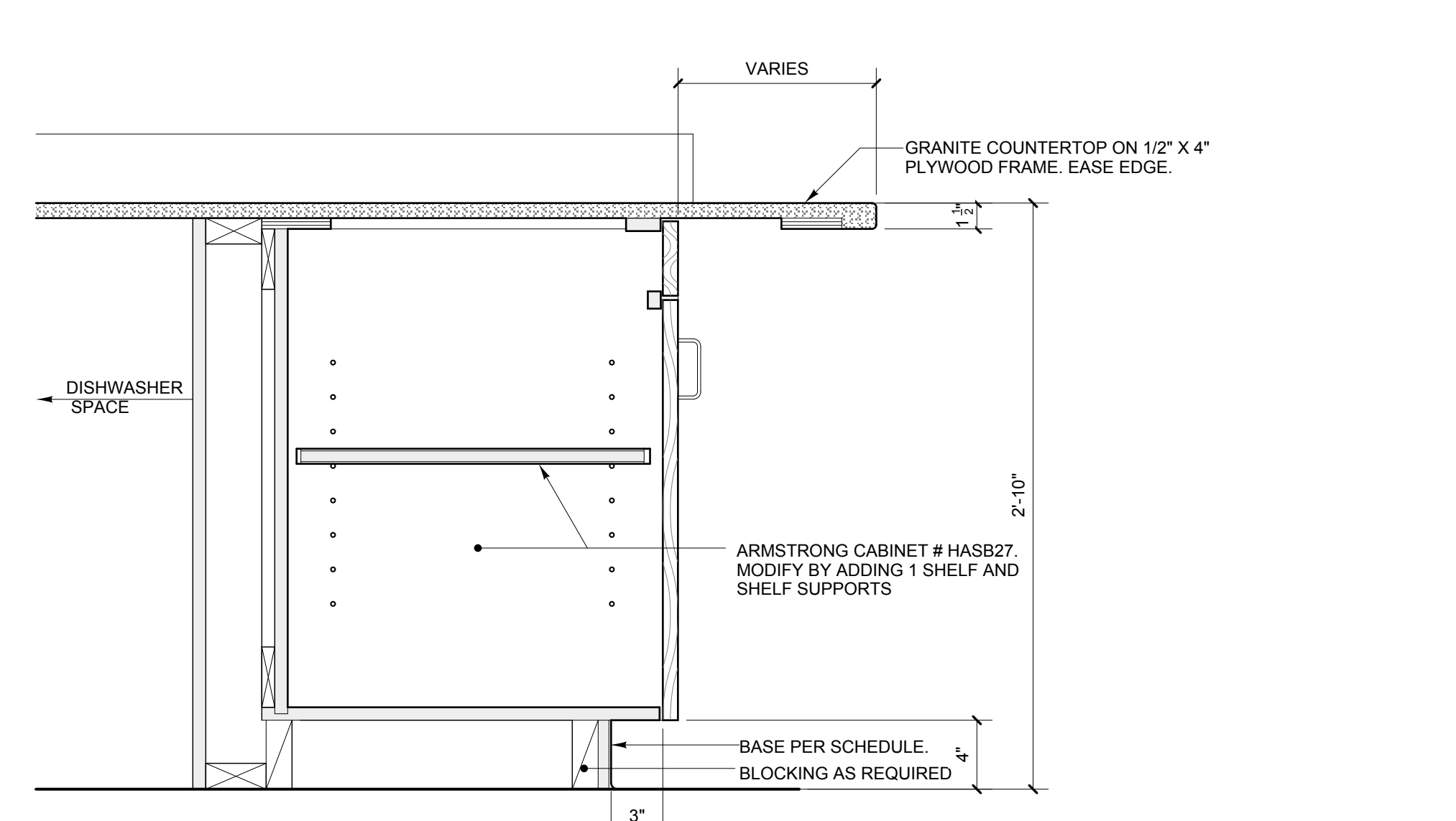
**14 OFFICE 107**  
SCALE: 3/8" = 1'-0"



**A LAVATORY DETAIL**  
SCALE: 1 1/2" = 1'-0"



**B SECTION DETAIL AT KITCHEN SINK**  
SCALE: 1 1/2" = 1'-0"



**C SECTION DETAIL AT BASE CAB.**  
SCALE: 1 1/2" = 1'-0"