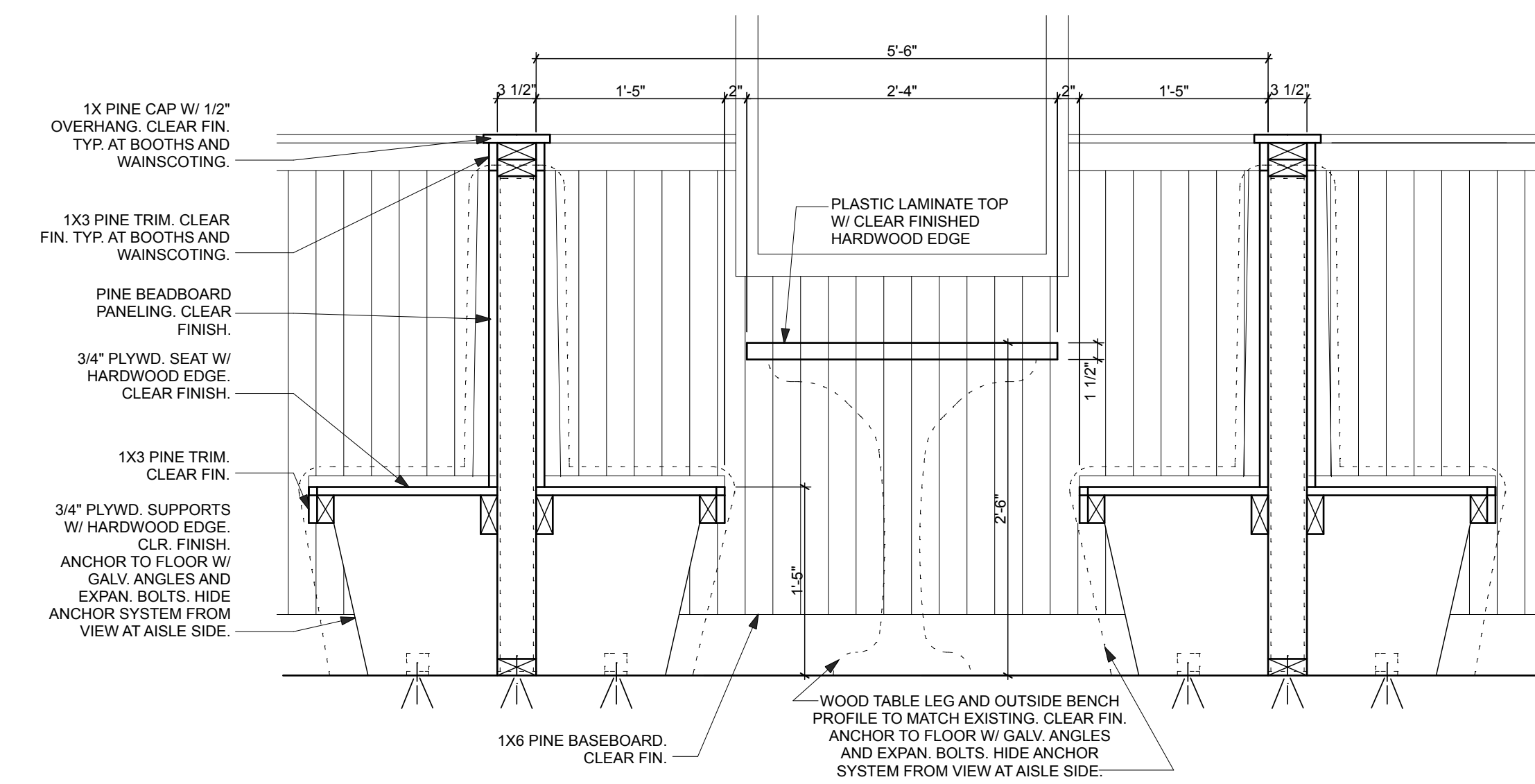
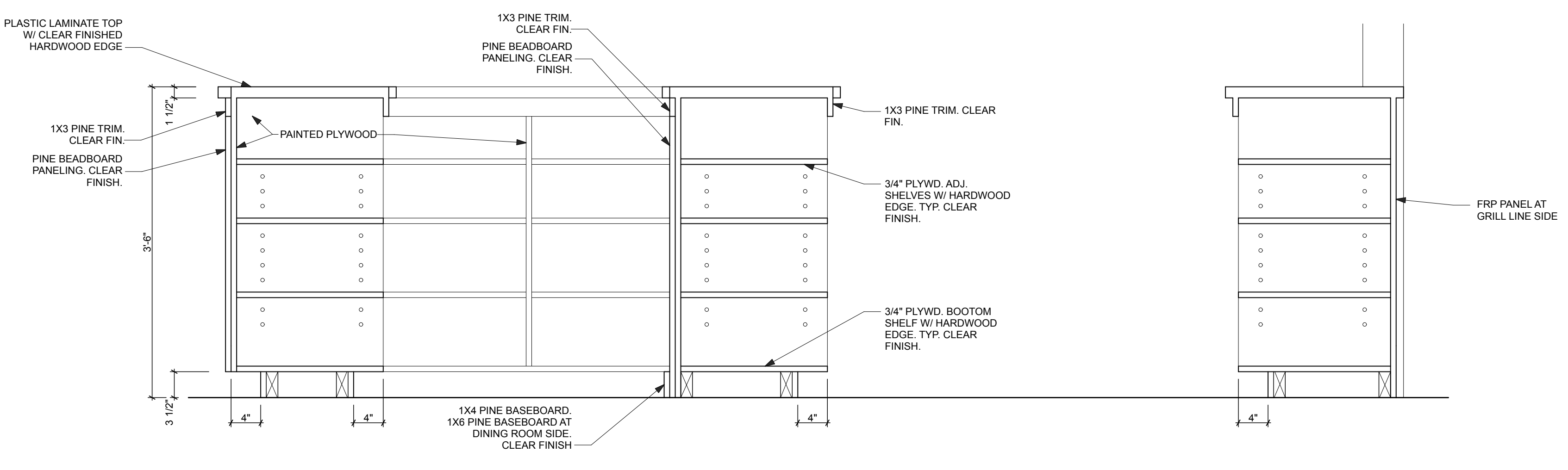


1 First Floor
SCALE: 1/4" = 1'-0"



2 SECTION @ TYP. BOOTH
SCALE: 1" = 1'-0"



3 SECTION @ CHECKOUT AND WAITSTAFF COUNTERS
SCALE: 1" = 1'-0"

OWNER:
ARCHETYPE, P.A. ARCHITECTS
48 Union Wharf Portland, Maine 04101
(207) 772-6022 Fax (207) 772-4056

PROJECT:
MISS PORTLAND DINER
MARGINAL WAY, PORTLAND, MAINE

SCALE: AS NOTED
DATE: FEB. 25, 2008
Revisions:

DRAWING:
FIRST FLOOR PLAN & MILLWORK DETAILS

A.1