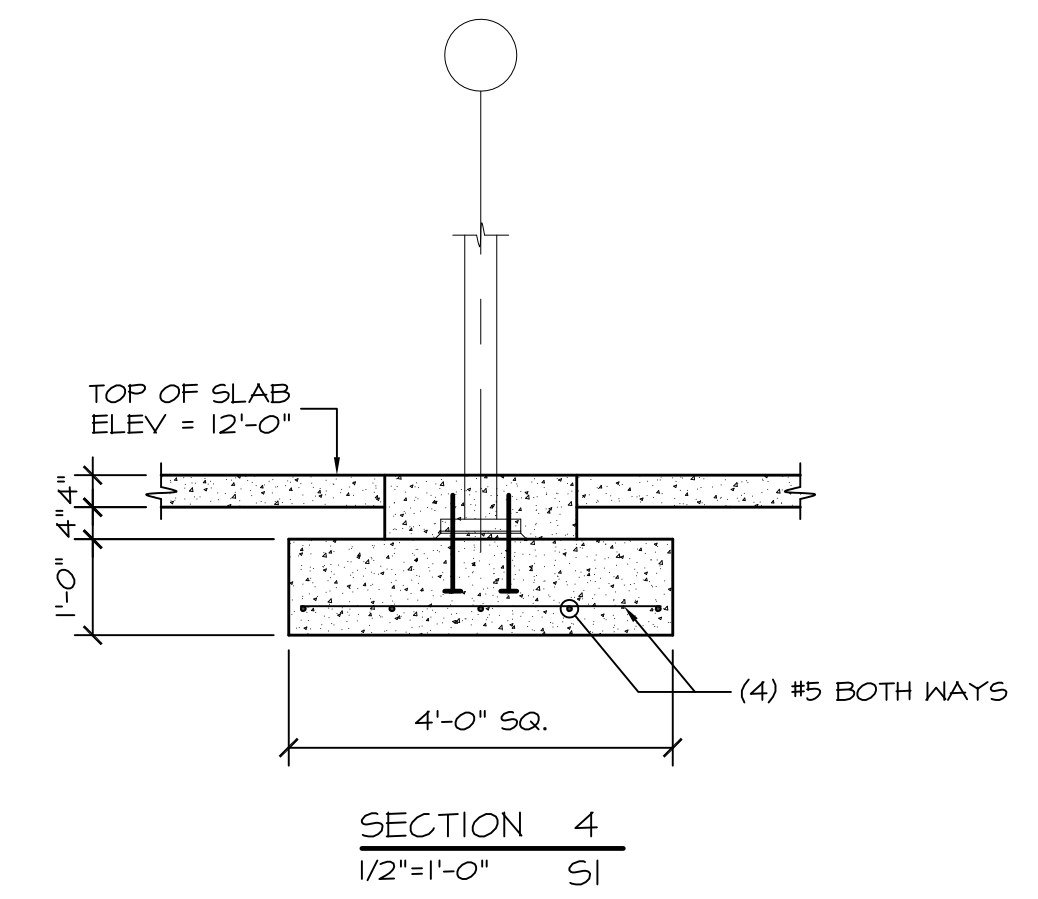
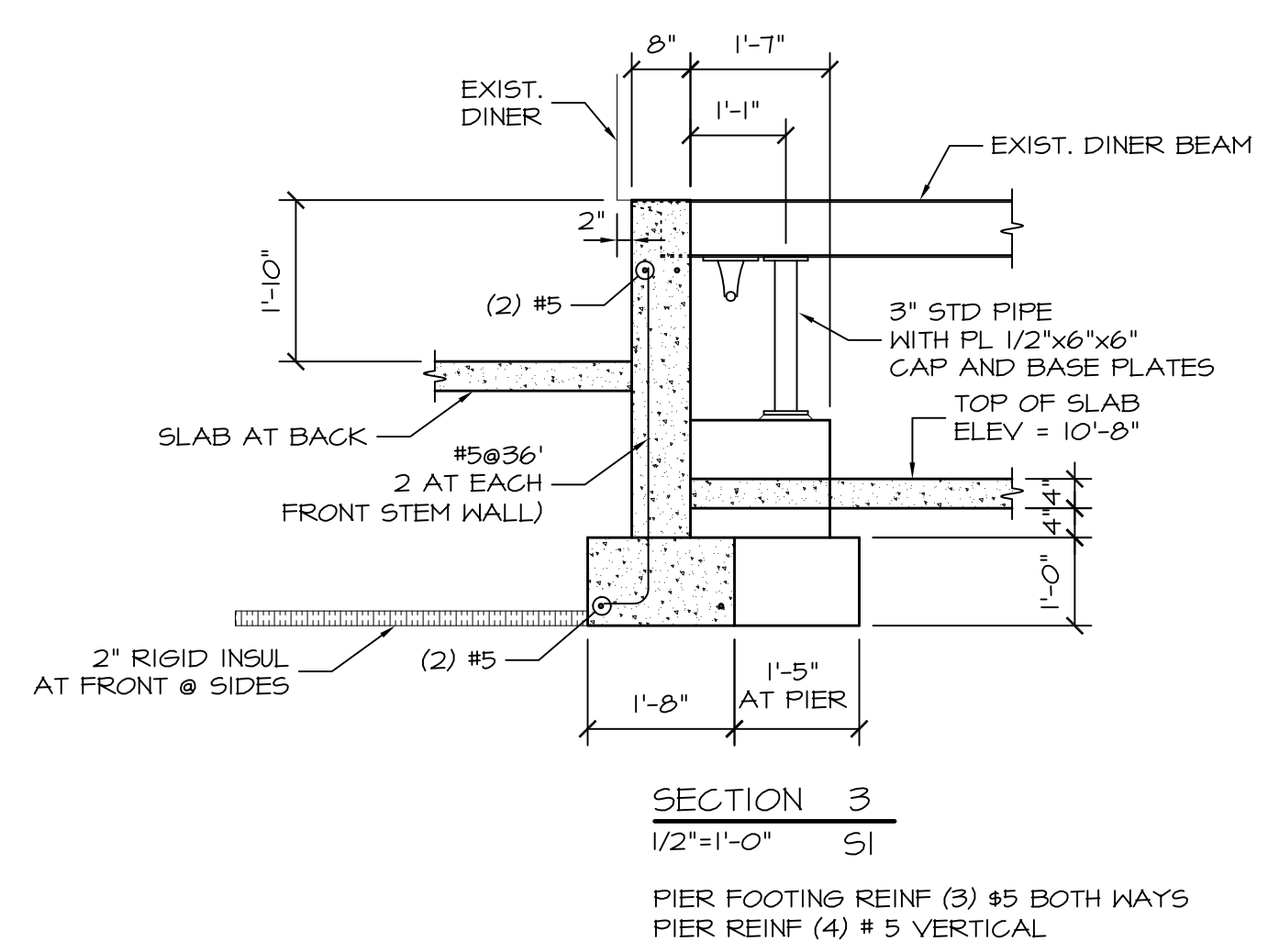
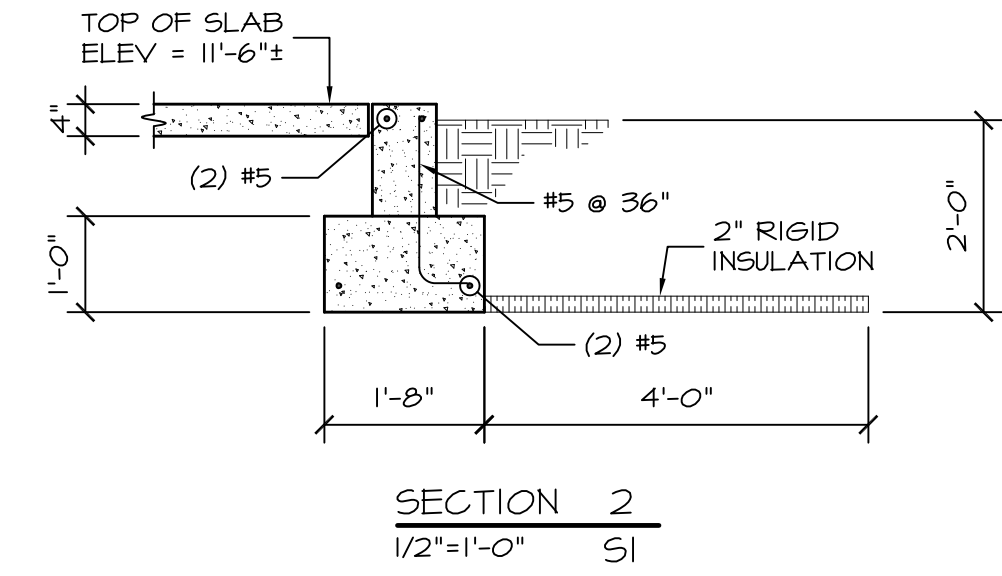
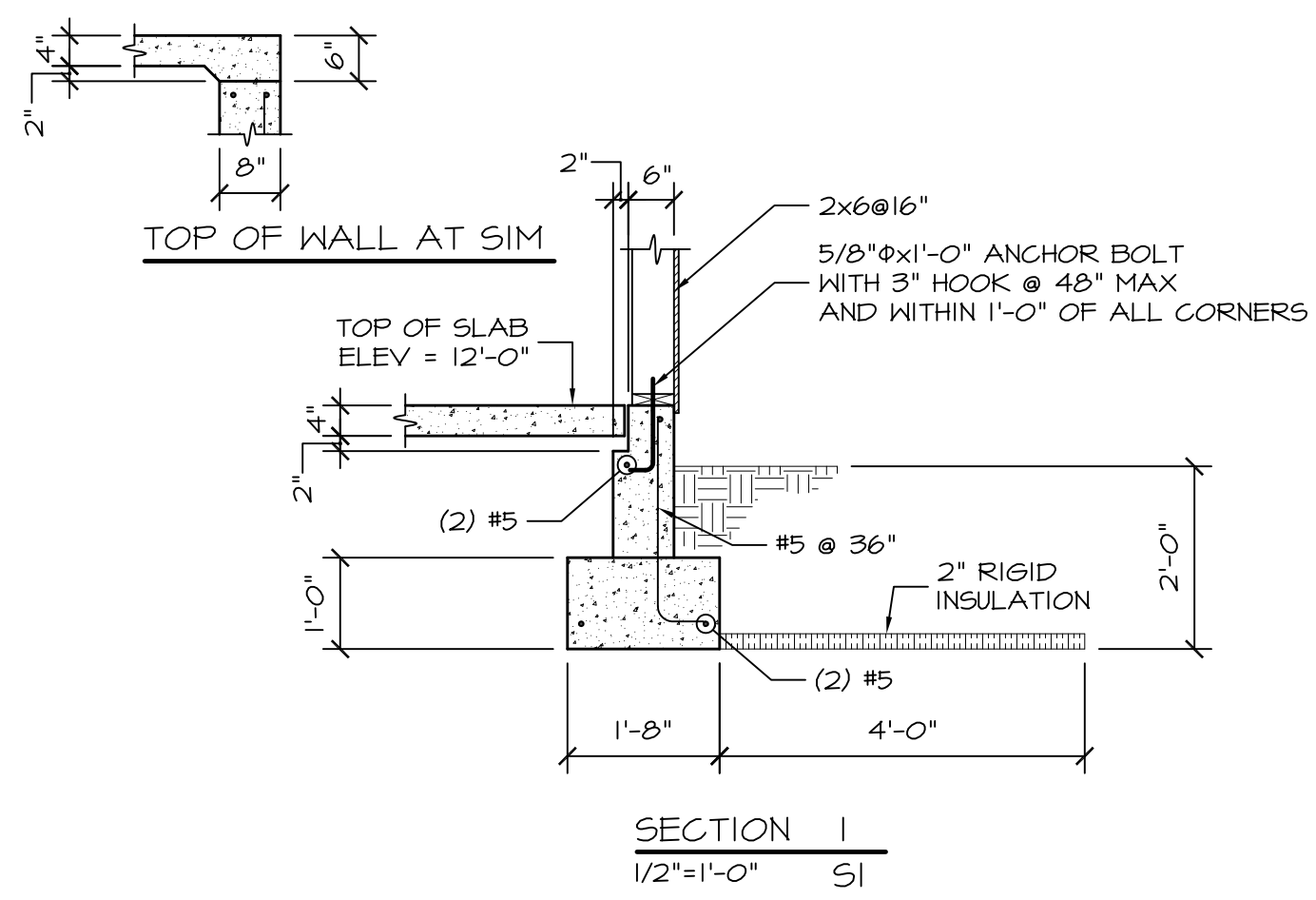
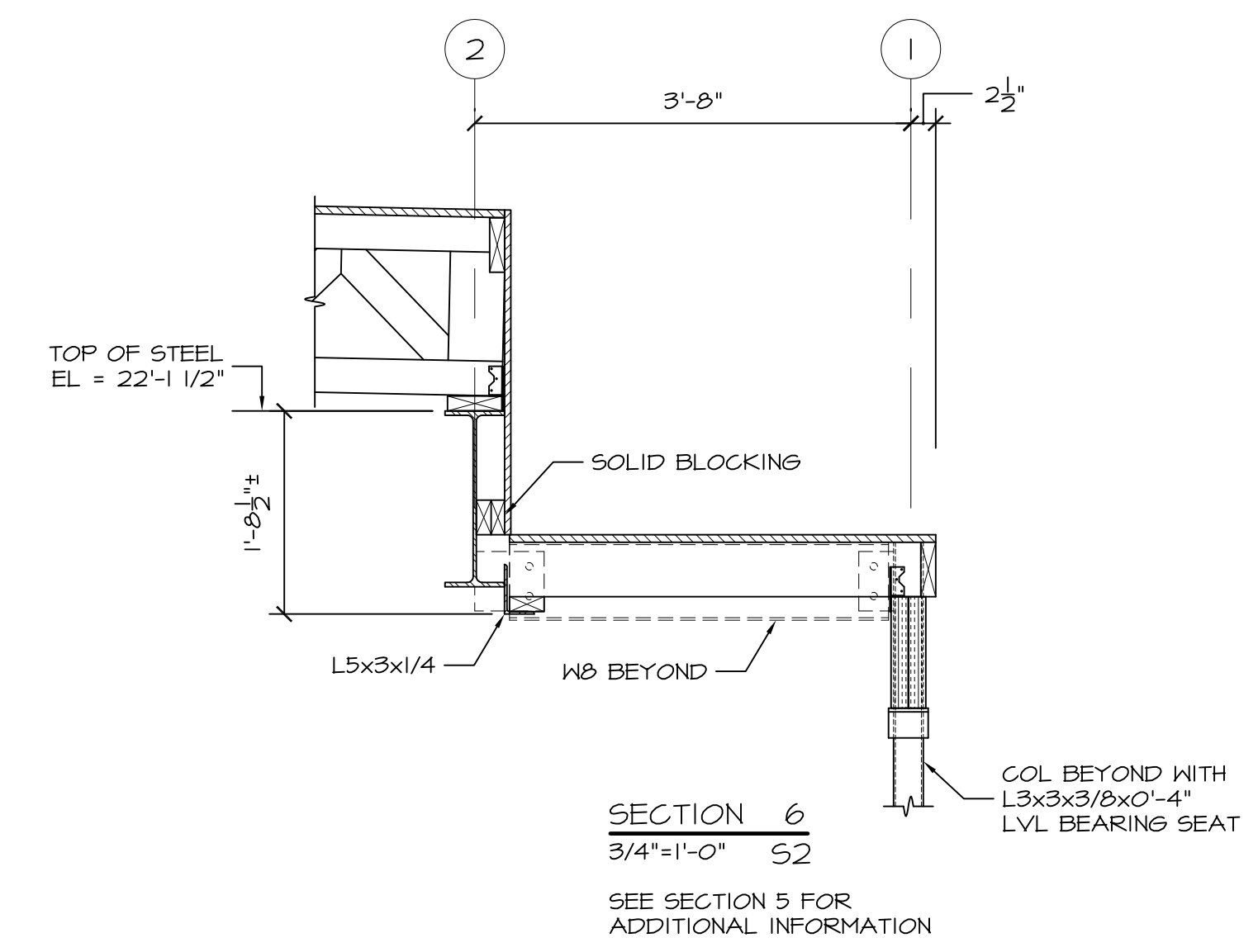
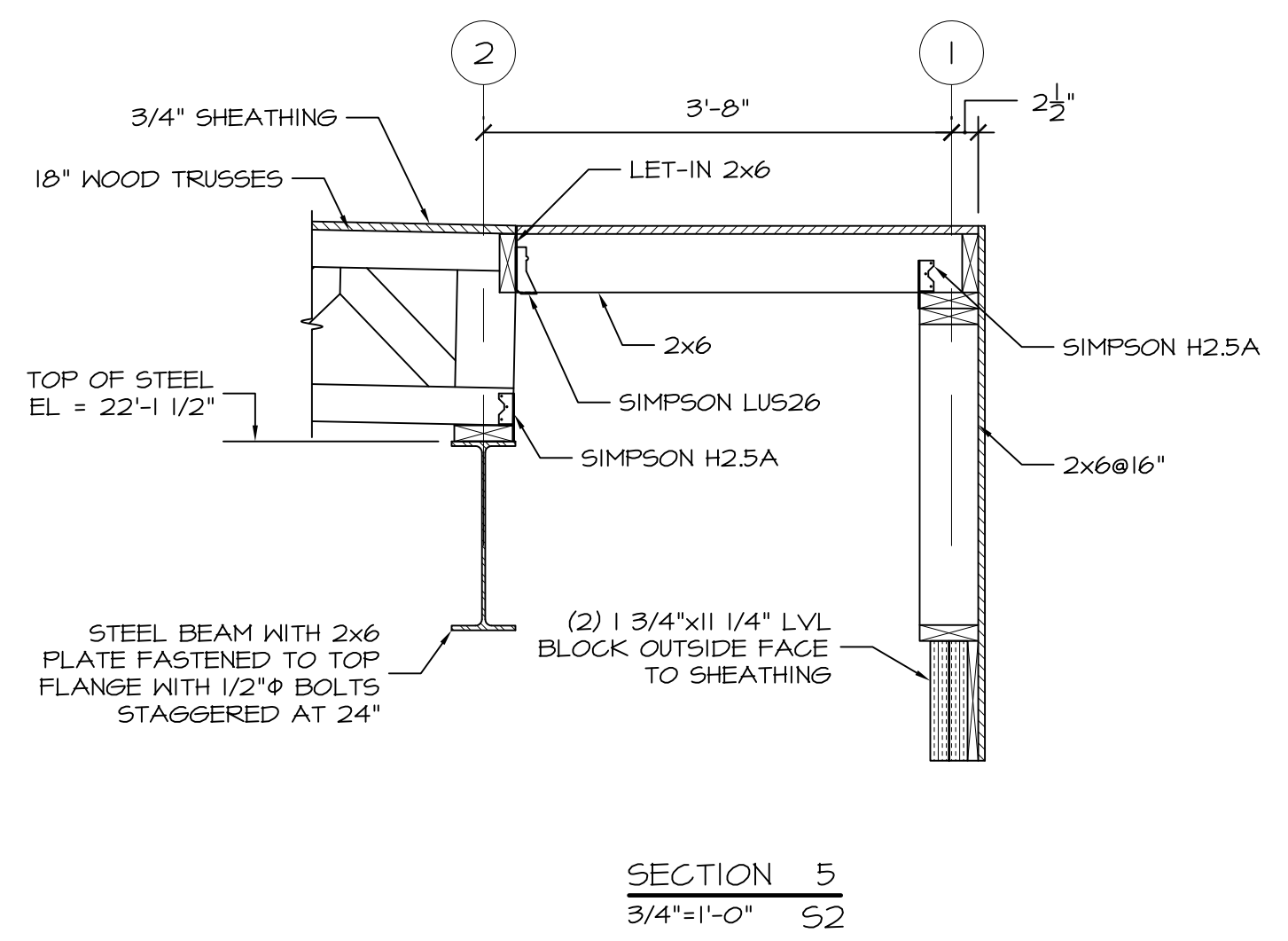


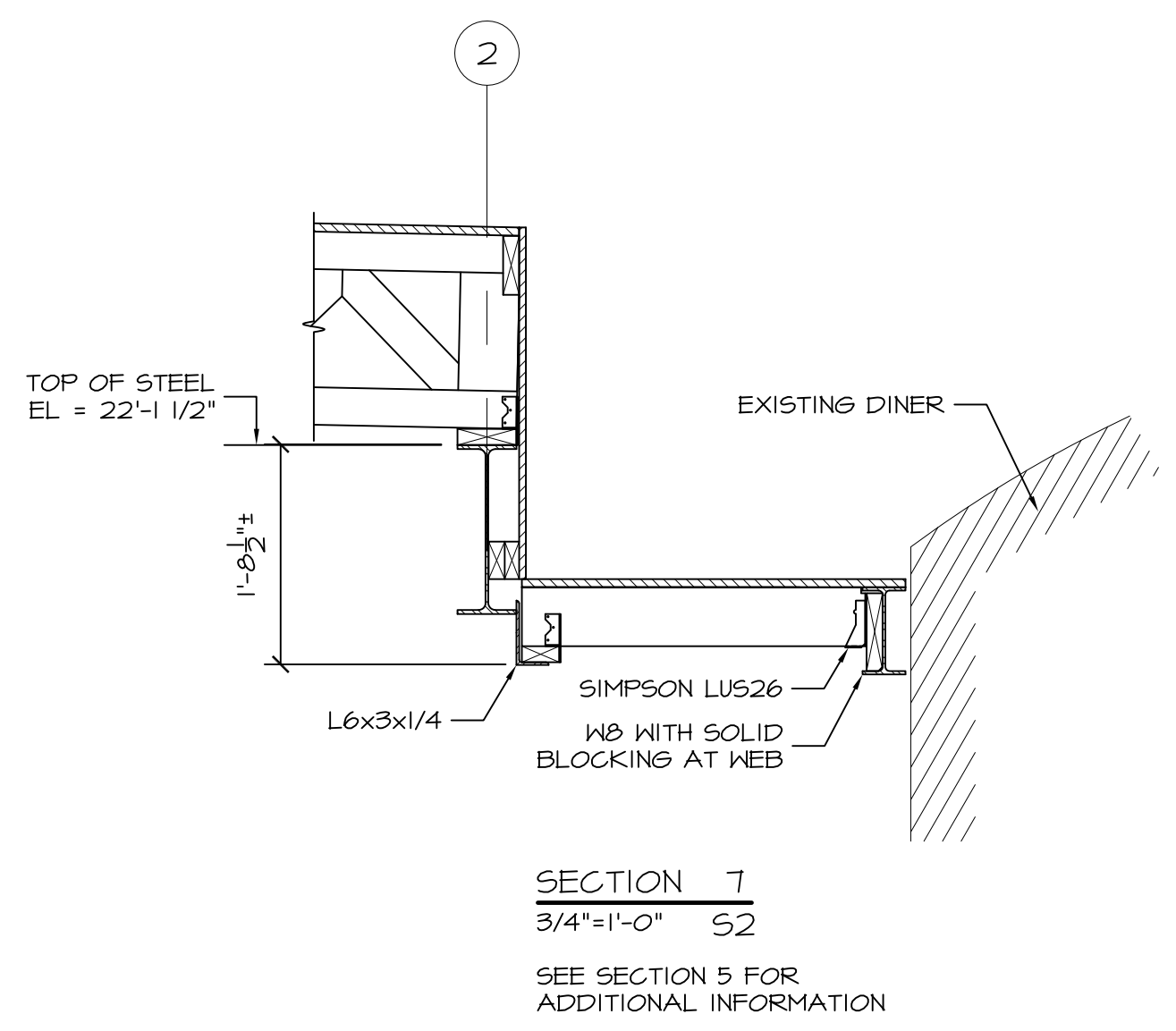
22 Oakmont Drive
Old Orchard Beach ME
04064-1121
Tel 207 934-8038
Fax 207 934-8037



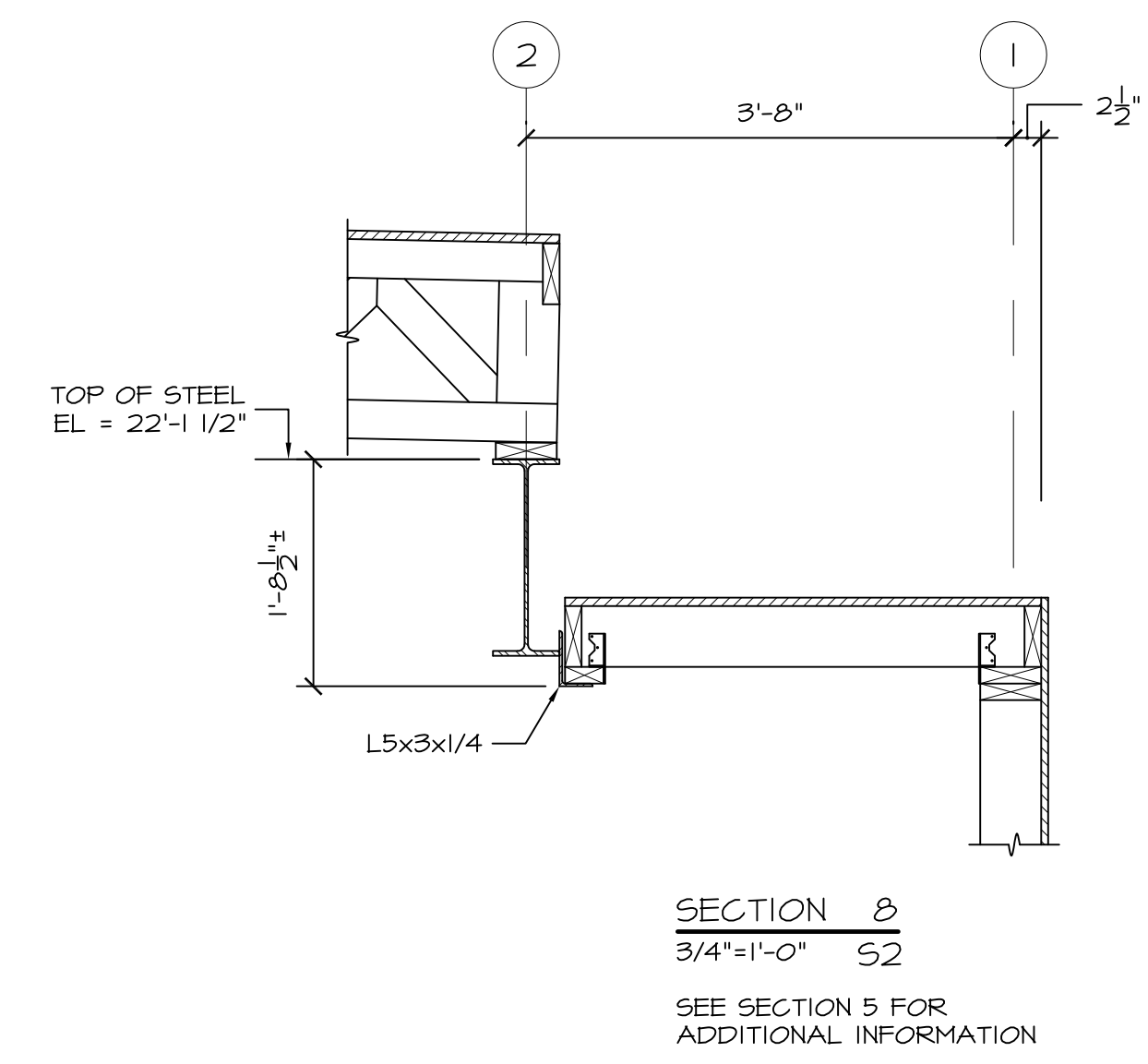
SECTION 3
1/2"=1'-0" S1
PIER FOOTING REINF (3) #5 BOTH WAYS
PIER REINF (4) # 5 VERTICAL



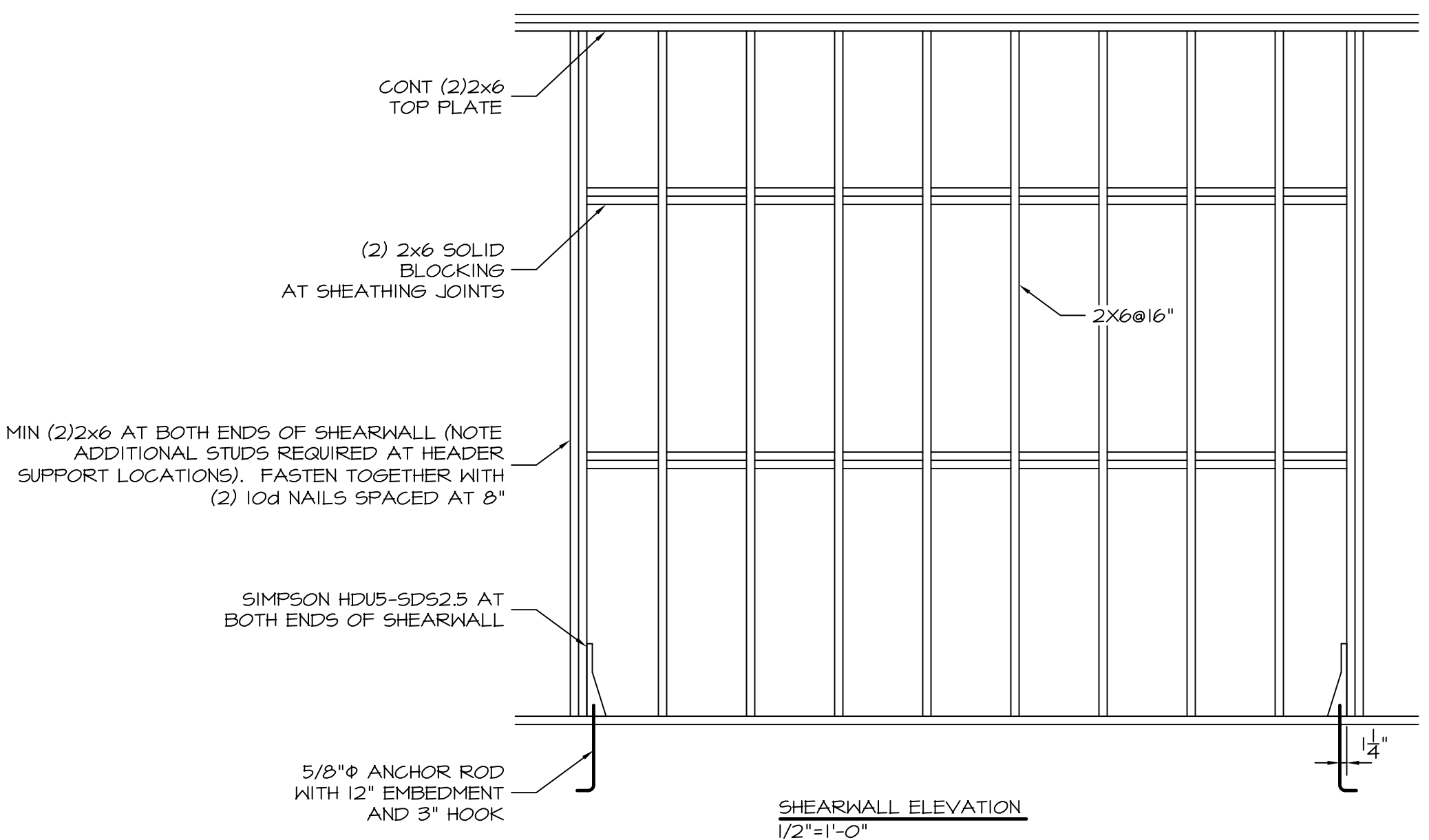
SECTION 6
3/4"=1'-0" S2
SEE SECTION 5 FOR ADDITIONAL INFORMATION



SECTION 7
3/4"=1'-0" S2
SEE SECTION 5 FOR ADDITIONAL INFORMATION

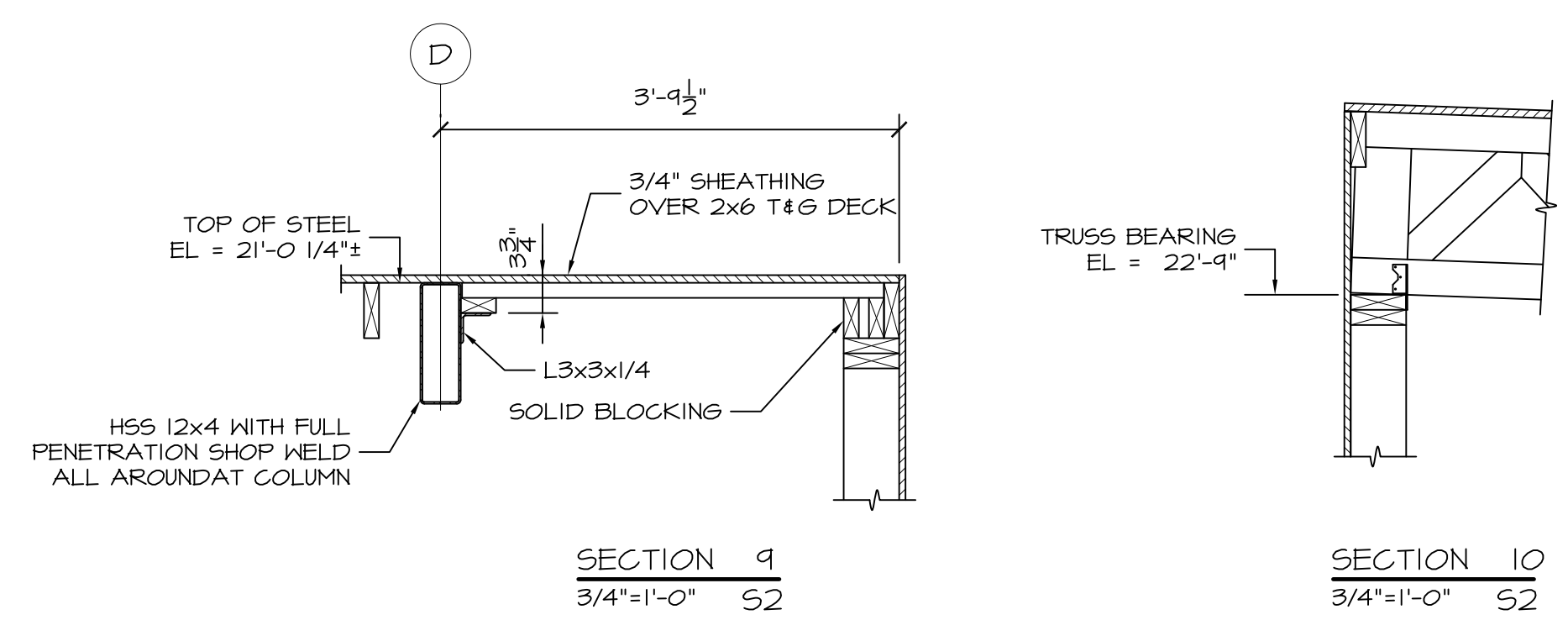
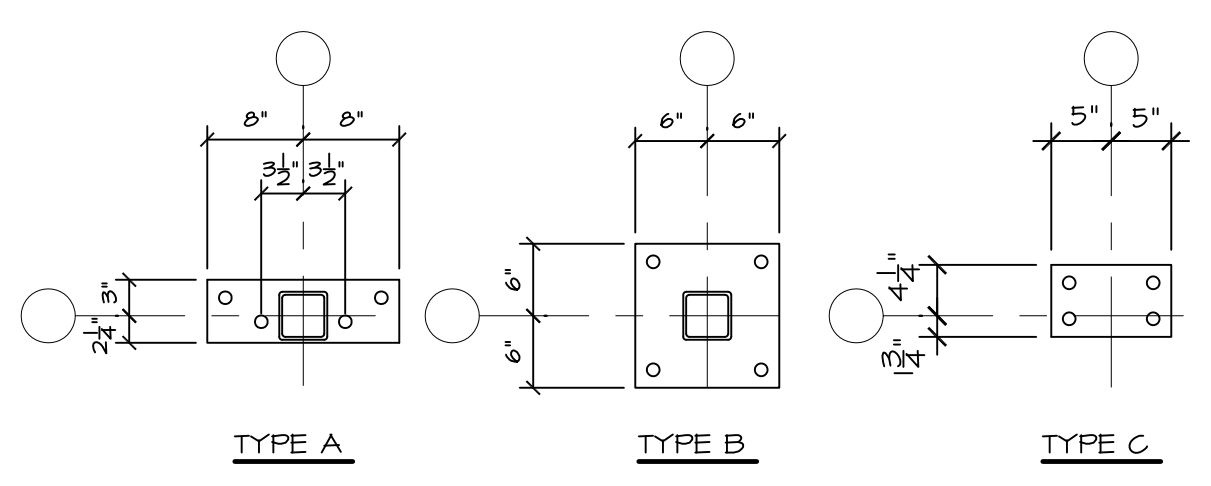


SECTION 8
3/4"=1'-0" S2
SEE SECTION 5 FOR ADDITIONAL INFORMATION



ANCHOR RODS MUST BE CAREFULLY LOCATED AS SHOWN FROM ENDS OF SHEARWALL.
SHEATHING AT EXTERIOR OF SHEARWALLS IS 5/8" CDX PLYWOOD. NAIL SHEATHING WITH 10d NAILS SPACED AT 2" AT ALL PANEL EDGES INCLUDING AT BLOCKING. NAIL SHEATHING WITH 10d NAILS SPACED AT 12" AT INTERIOR STUDS.

COLUMN SCHEDULE				
COLUMN MARK	SIZE	BOT. OF BASE PL ELEV.	BASE PL TYPE	TOP OF COLUMN ELEV.
A-2 E-2	H554x4x3/16	12'-1"	A	22'-1 1/2"
C-2 D-2	H554x4x3/8	11'-5"	B	22'-1 1/2"
B-1	H553x3x3/16	11'-7"	C	21'-0 1/4"±



SECTION 9
3/4"=1'-0" S2

SECTION 10
3/4"=1'-0" S2
SEE SECTION 5 FOR ADDITIONAL INFORMATION

OWNER:

ARCHITECT: **ARCHETYPE, P.A. ARCHITECTS**
48 Union Wharf Portland, Maine 04101
(207) 772-6022 Fax (207) 772-4056

PROJECT: **MISS PORTLAND DINER**
MARGINAL WAY, PORTLAND, MAINE

DATE: Feb. 19, 2008
SCALE: As Noted
Revisions:

DRAWING: **STRUCTURAL SECTIONS AND DETAILS**

S3