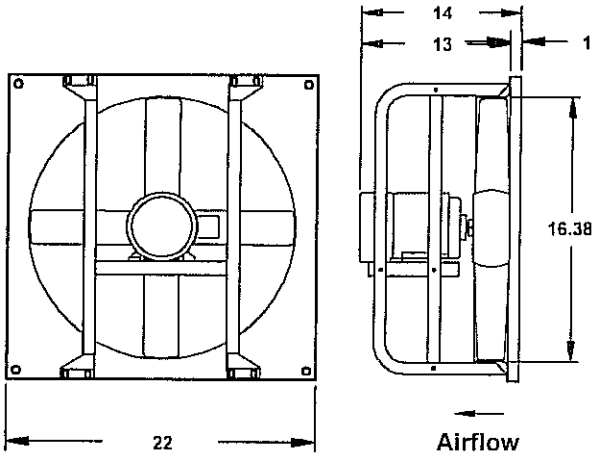


Fan

MARK: TRANSFORMER A

SS1

Sidewall Direct Drive Supply Fan



Tag: TRANSFORMER A

CONSTRUCTION FEATURES

- Fan panels of galvanized steel • Aluminum blade propeller • Die formed, galvanized steel drive frame assembly • Corrosion resistant fasteners

SELECTED OPTIONS & ACCESSORIES

- Damper WD-220-PB-18x18, 120 VAC, Int Mnt.
- Aluminum Propeller

NOTES: All dimensions shown are in units of inches
Fan weight is without accessories

DIMENSIONS

Approx. Fan Weight (lb)	Recommended Roof/Wall Opening (in)	Optional Damper (in)
30	18.5 x 18.5	18 x 18

PERFORMANCE (Elevation ft = 0, Airstream Temperature °F = 90)

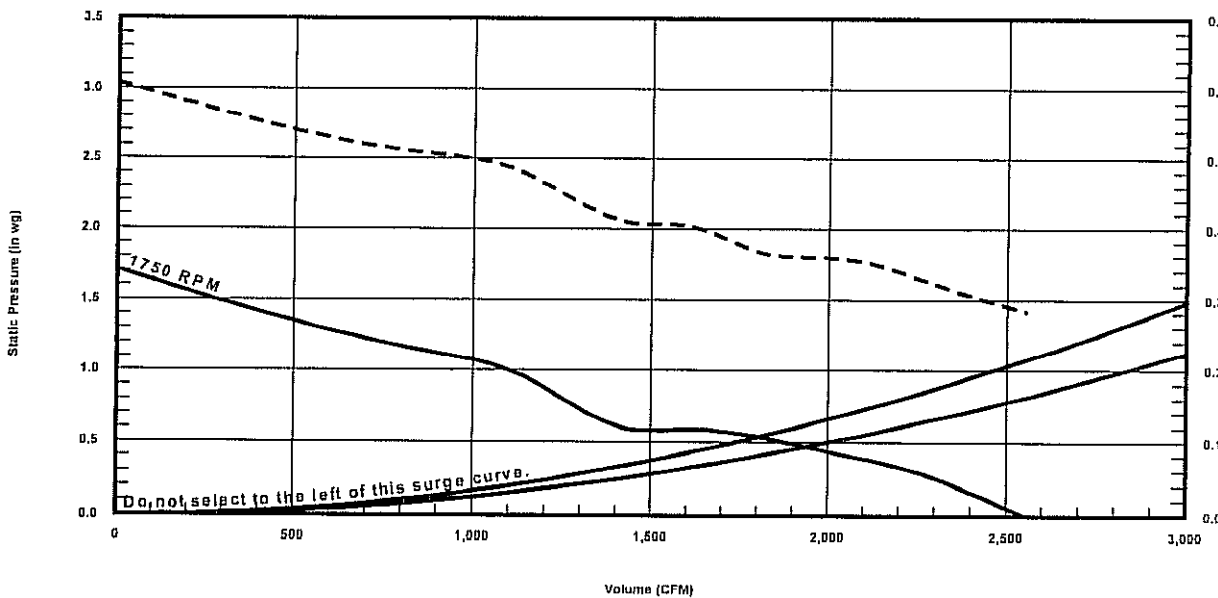
Qty	Model	Volume (CFM)	SP (in wg)	FRPM	Operating Power (hp)	Motor Information					
						Size (hp)	V/C/P	Encl:	Motor RPM:	Windings	FLA (A)
1	SS1-16-421-A3	1,881	0.5	1,750	0.36	1/3	115/60/1	ODP	1750	1	7.2

SOUND

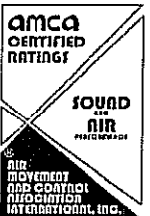
Inlet Sound Power by Octave Band								Lwa	dBA	Sones
62.5	125	250	500	1000	2000	4000	8000			
88	86	83	80	77	73	69	62	82	71	19.7

FLA - Based on tables 150 or 148 of National Electrical Code 2002.

LwA - A weighted sound power level, based on ANSI S1.4.
dBA - A weighted sound pressure level, based on 11.5 dB attenuation per octave band at 5.0 ft. Sones calculated using AMCA 301 at 5.0 ft.



Power (hp) (dashed lines use this axis)

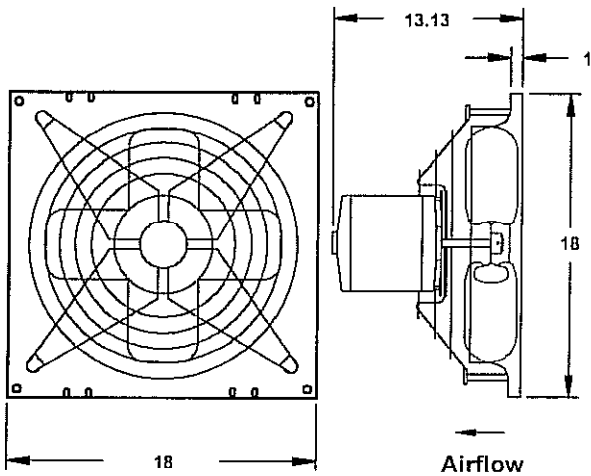


Fan

MARK: TRANSFORMER B

SS1

Sidewall Direct Drive Supply Fan



Tag: TRANSFORMER B
CONSTRUCTION FEATURES

- Fan panels of galvanized steel • Aluminum blade propeller • Heavy gauge welded wire motor supports and fan guard that is Zinc plated • Motor mounted to support guard with neoprene isolators • Corrosion resistant fasteners

SELECTED OPTIONS & ACCESSORIES

- Damper WD-220-PB-14x14, 120 VAC, Int Mnt.
- Aluminum Propeller
- Motor w/ Thermal Overloads

NOTES: All dimensions shown are in units of inches
 Fan weight is without accessories

DIMENSIONS

Approx. Fan Weight (lb)	Recommended Roof/Wall Opening (in)	Optional Damper (in)
20	14.5 x 14.5	14 x 14

PERFORMANCE (Elevation ft = 0, Airstream Temperature °F = 70)

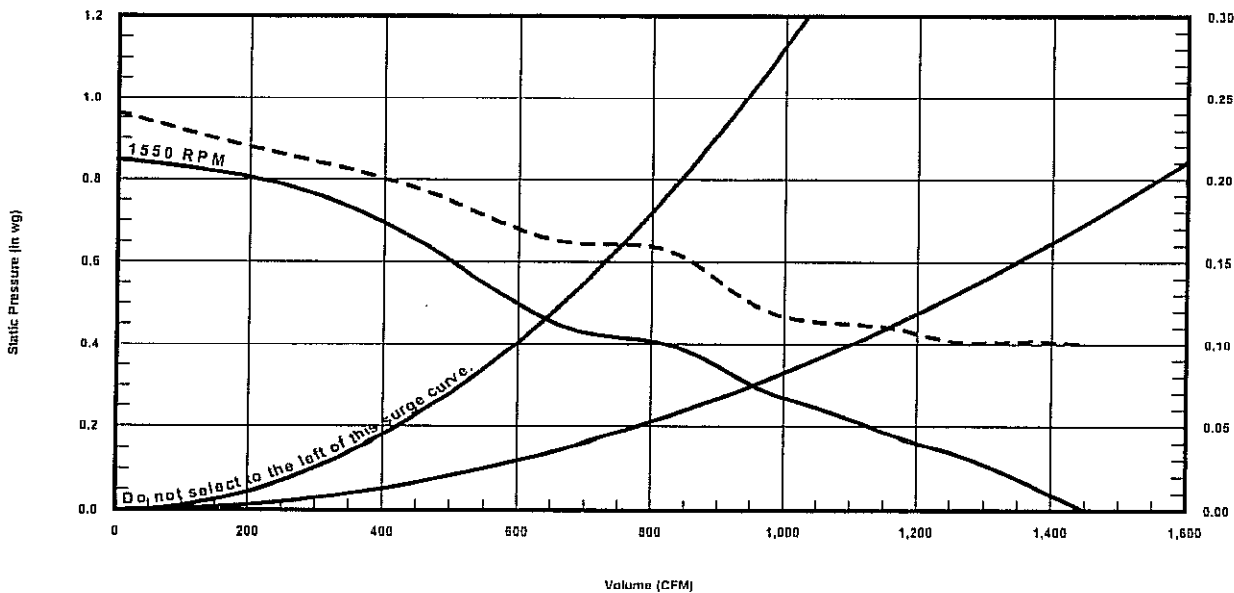
Qty	Model	Volume (CFM)	SP (in wg)	FRPM	Operating Power (hp)	Motor Information				
						Size (hp)	V/C/P	Encl:	Motor RPM:	Windings
1	SS1-12-432-D8	916	0.33	1,550	0.13	1/8	115/60/1	TEAO	1550	1

SOUND

Inlet Sound Power by Octave Band								Lwa	dBA	Sones
62.5	125	250	500	1000	2000	4000	8000			
79	77	71	65	64	61	56	49	69	58	9.5

FLA - Based on tables 150 or 148 of National Electrical Code 2002.

Lwa - A weighted sound power level, based on ANSI S1.4.
 dBA - A weighted sound pressure level, based on 11.5 dB attenuation per octave band at 5.0 ft. Sones calculated using AMCA 301 at 5.0 ft.



Power (hp) [dashed lines use this axis]

