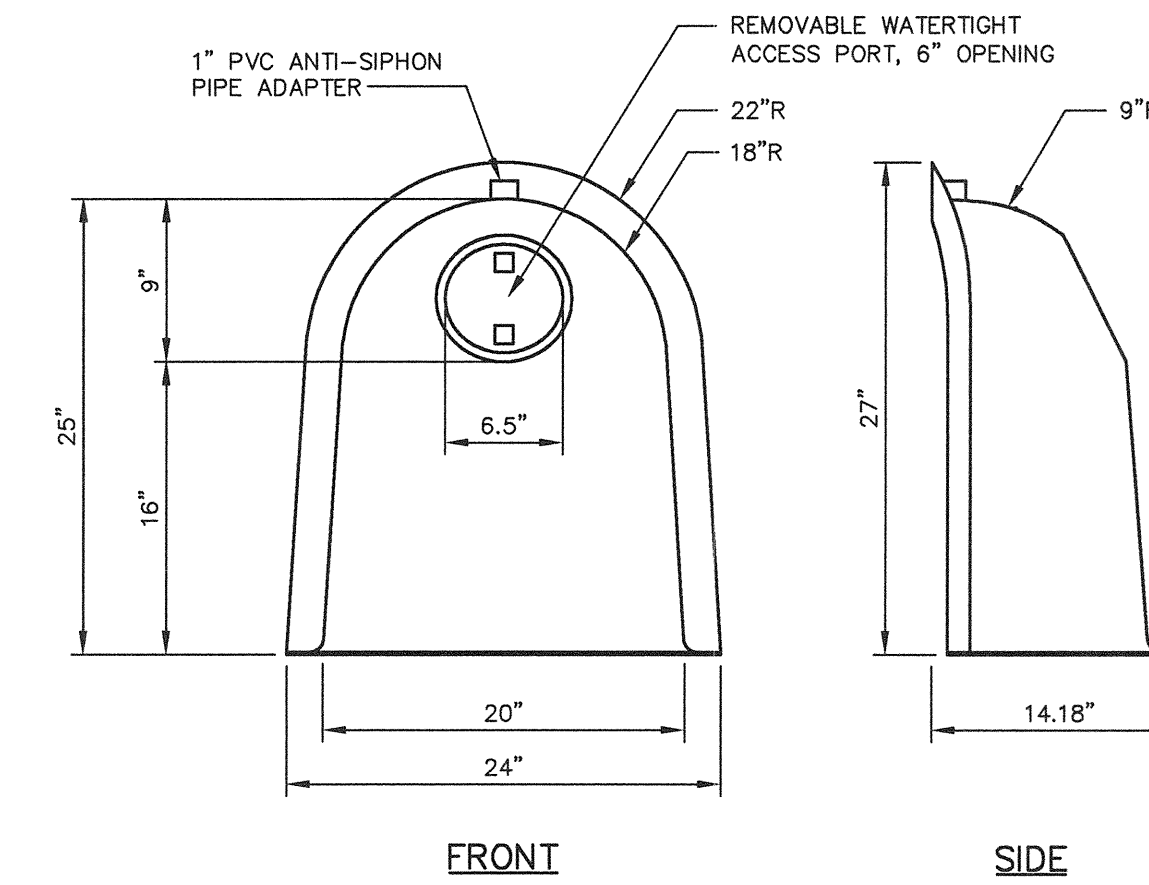
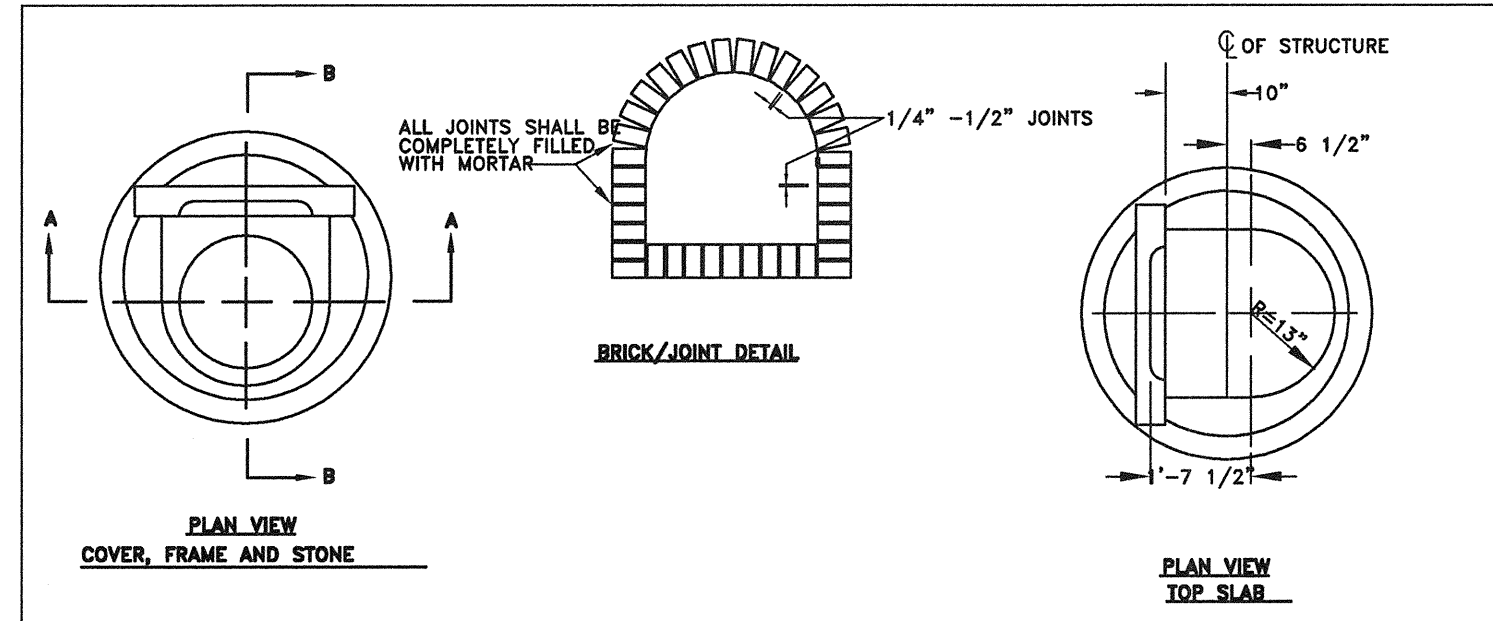
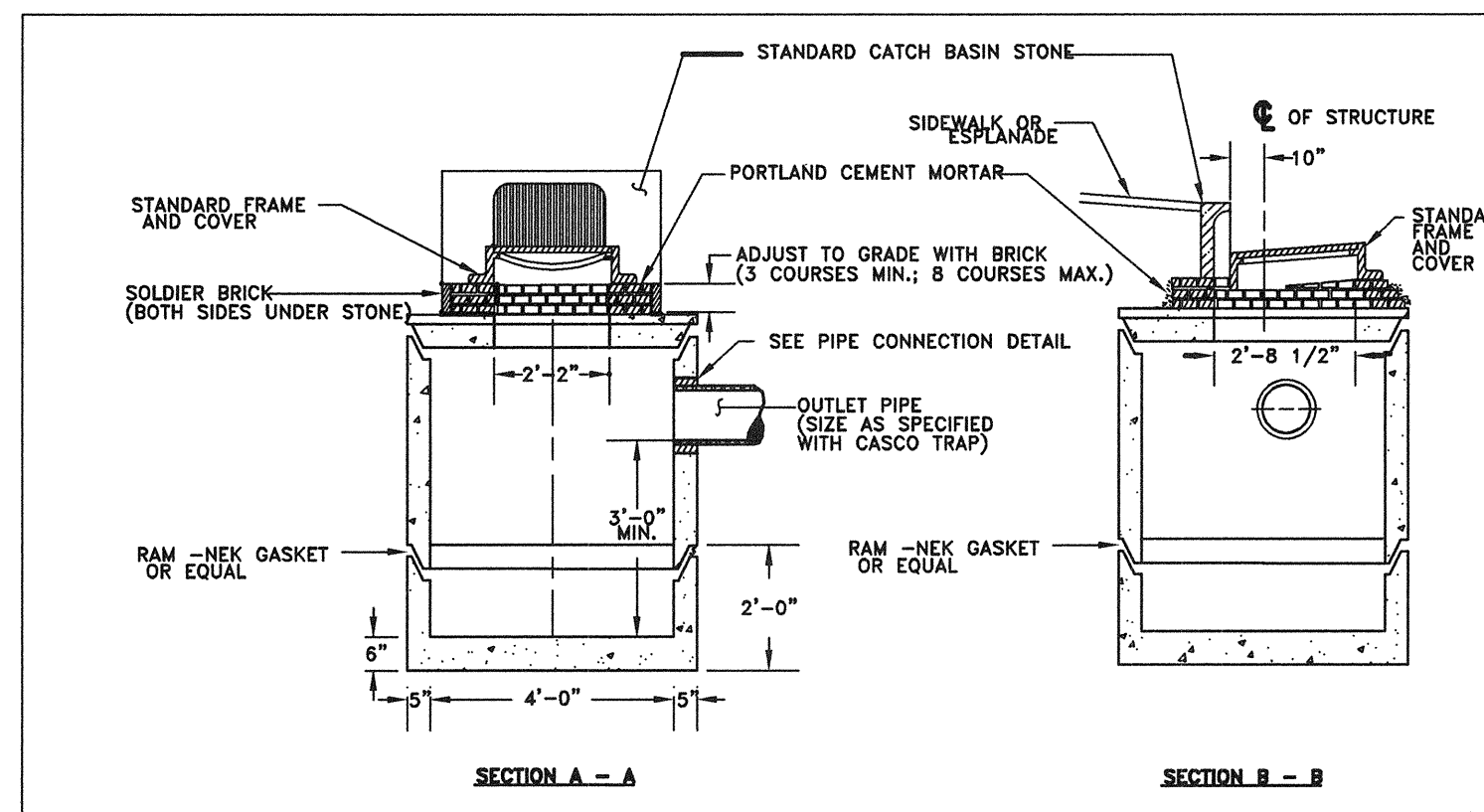


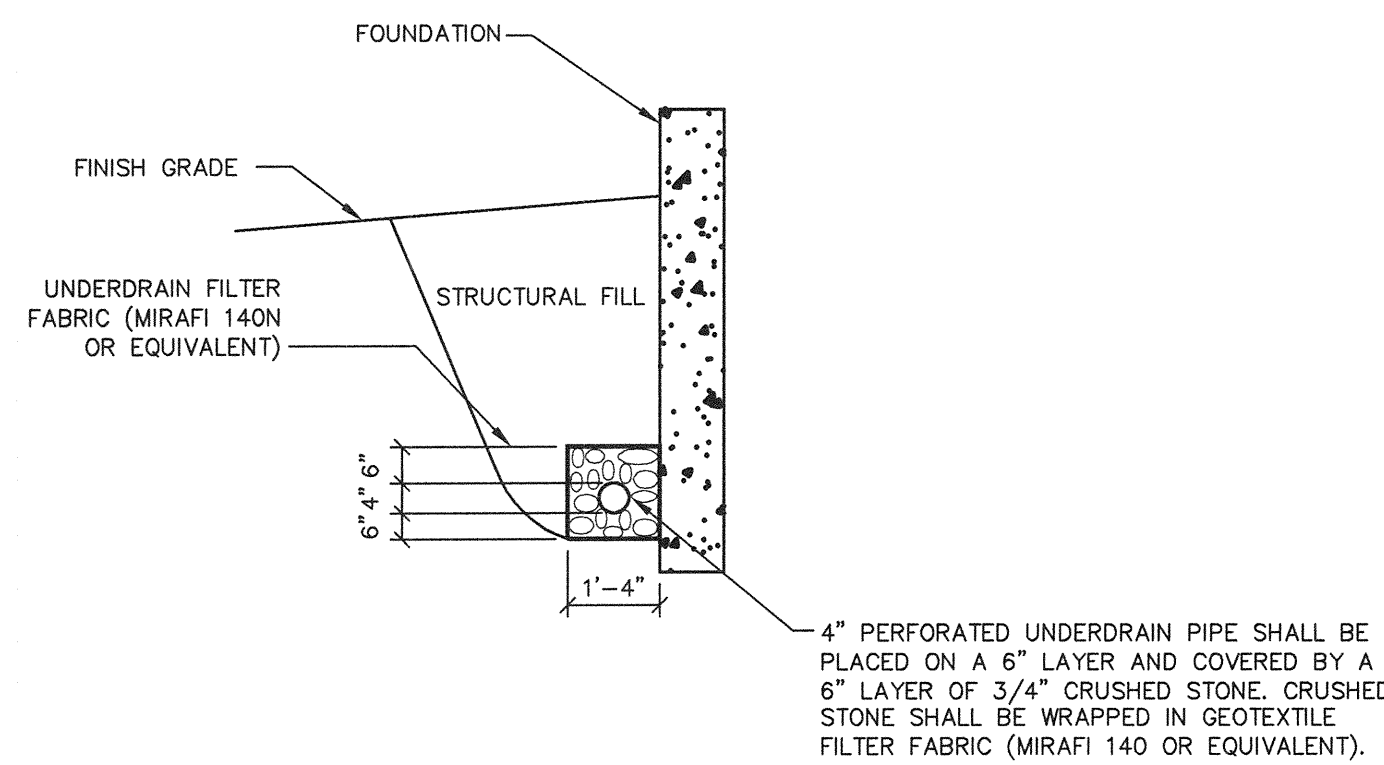
SANITARY LATERAL CONNECTION

N.T.S.



THE SNOOT - INLET HOOD

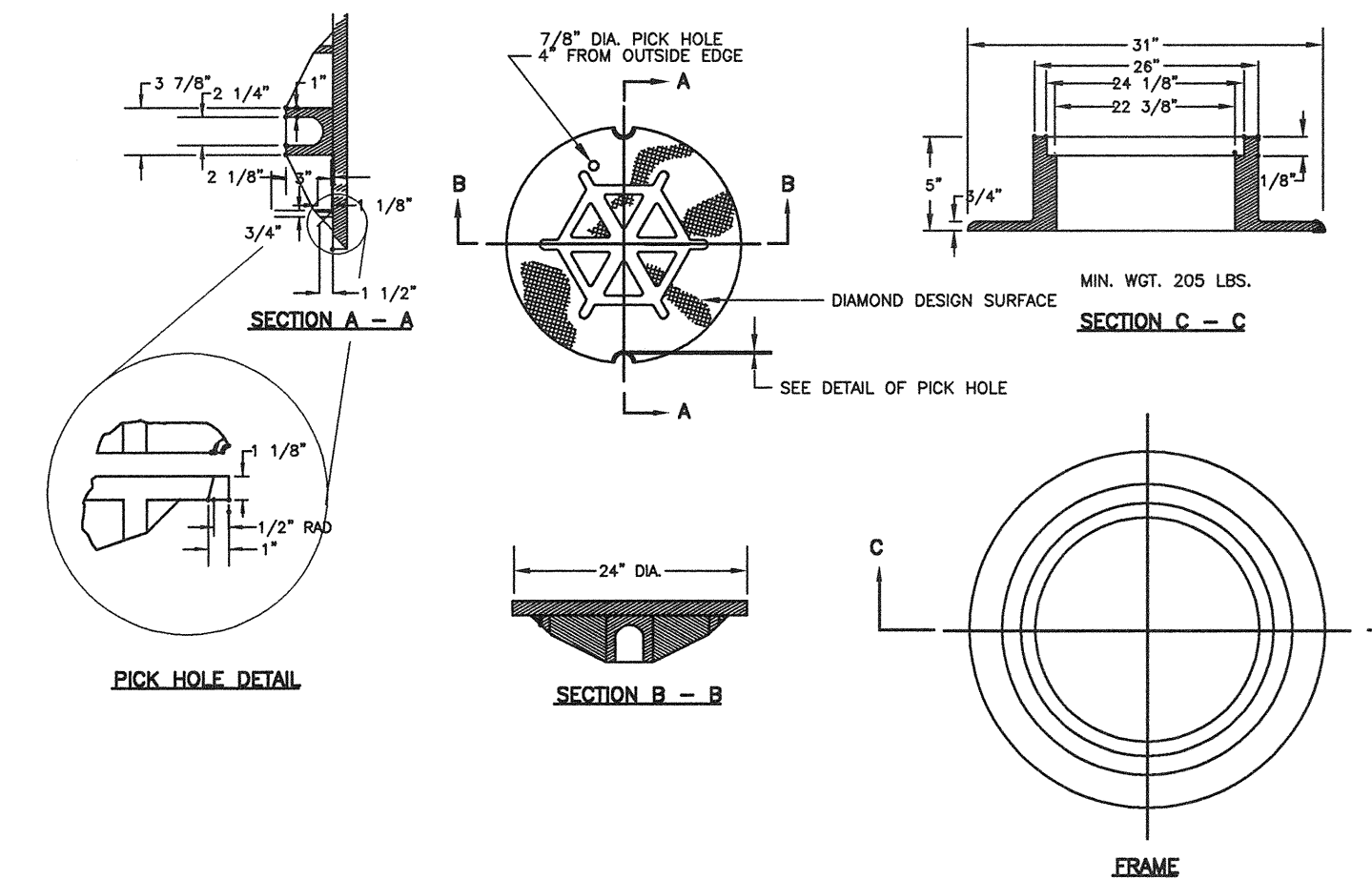
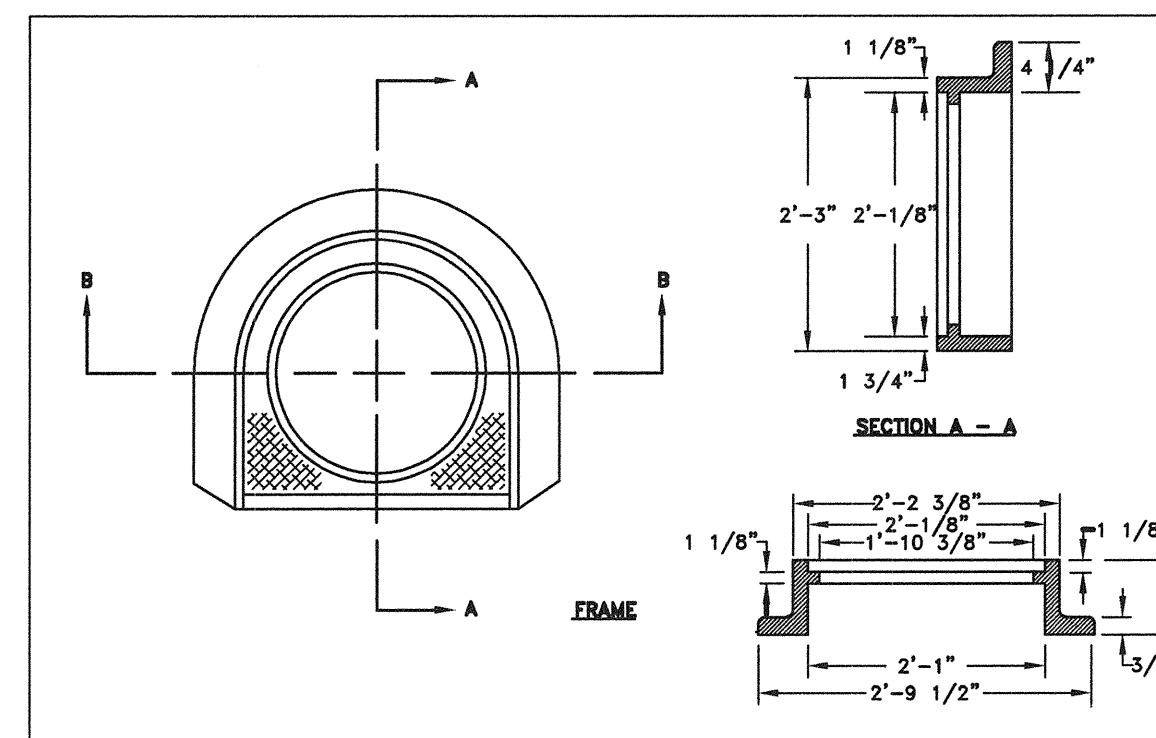
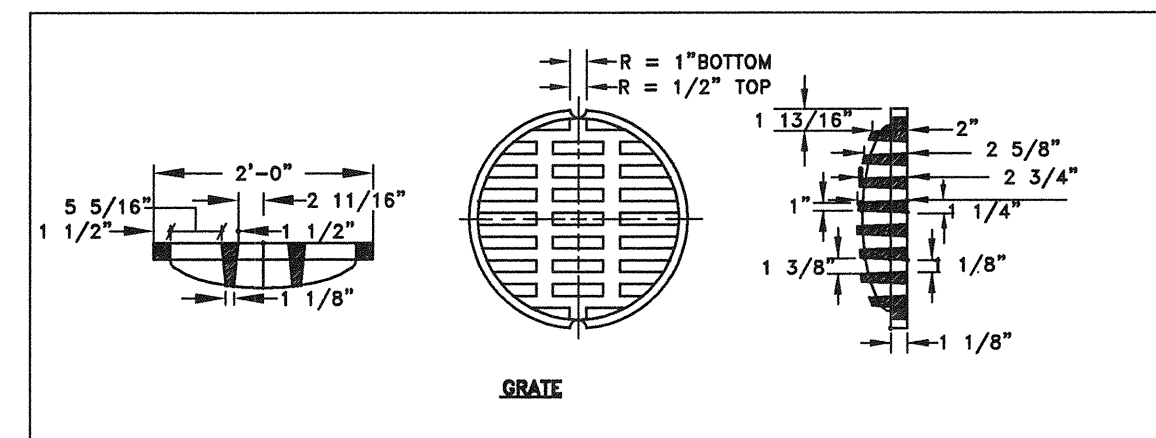
N.T.S.



FOUNDATION DRAIN

N.T.S.

- GENERAL NOTES**
- ALL CONCRETE SHALL BE A CLASS "A" AND HAVE A MINIMUM ULTIMATE STRENGTH OF 4000 LBS. PER SQ. INCH AT THE END OF 28 DAYS, UNLESS OTHERWISE NOTED.
 - PRECAST REINFORCED CONE BARREL MANUFACTURE PER ASTM SPEC. C-478-67
 - SEWER BRICK TO CONFORM TO ASTM SPEC. DESIGNATE ON C-32-63, GRADE MA AND SA.
 - ALL MANHOLES SHALL HAVE A BITUMINOUS WATERPROOFING APPLIED TO THE EXTERIOR SURFACE. IF CONSTRUCTION OF BRICK MASONRY, THE SMOOTH MORTAR SURFACE SHALL BE PLASTERED WITH A SMOOTH MORTAR FINISH 3/8" THICK. AFTER THE MORTAR HAS SET, THE SURFACE SHALL BE WATERPROOFED AS REQUIRED BY SUPPLEMENTAL SPECIFICATIONS SECTION 604.
 - CASTINGS SHALL CONFORM TO ASTM DESIGNATION A48-CLASS 35. ALL PARTS OF CASTINGS, EXCEPT FINISHED SURFACE, SHALL RECEIVE A COAT OF COAL TAR PITCH VARNISH OR ASPHALTUM PAINT WHICH SHALL BE SMOOTH AND TOUGH BUT NOT BRITTLE.
 - MANHOLES MAY BE CONSTRUCTED OF MASONRY, PRECAST REINFORCED CONCRETE, OR CAST IN PLACE.
 - ALL PRECAST MANHOLES AND CATCH BASINS SHALL BE IDENTIFIED BY STATION AND OFFSET, PAINTED ON THE SIDE OF THE STRUCTURE BY THE MANUFACTURER.
 - STORM AND SEWER MANHOLES SHALL HAVE SOLID COVERS WITH ONE DRILLED HOLE.
 - EXISTING MANHOLE AND CATCH BASIN FRAMES AND COVERS SHALL BE SALVAGED BY THE CONTRACTOR, AND REMAIN THE PROPERTY OF THE CITY OF PORTLAND.
 - INLET HOODS SHALL BE PROVIDED WITHIN ALL CATCH BASIN PIPES 18" OR LESS.

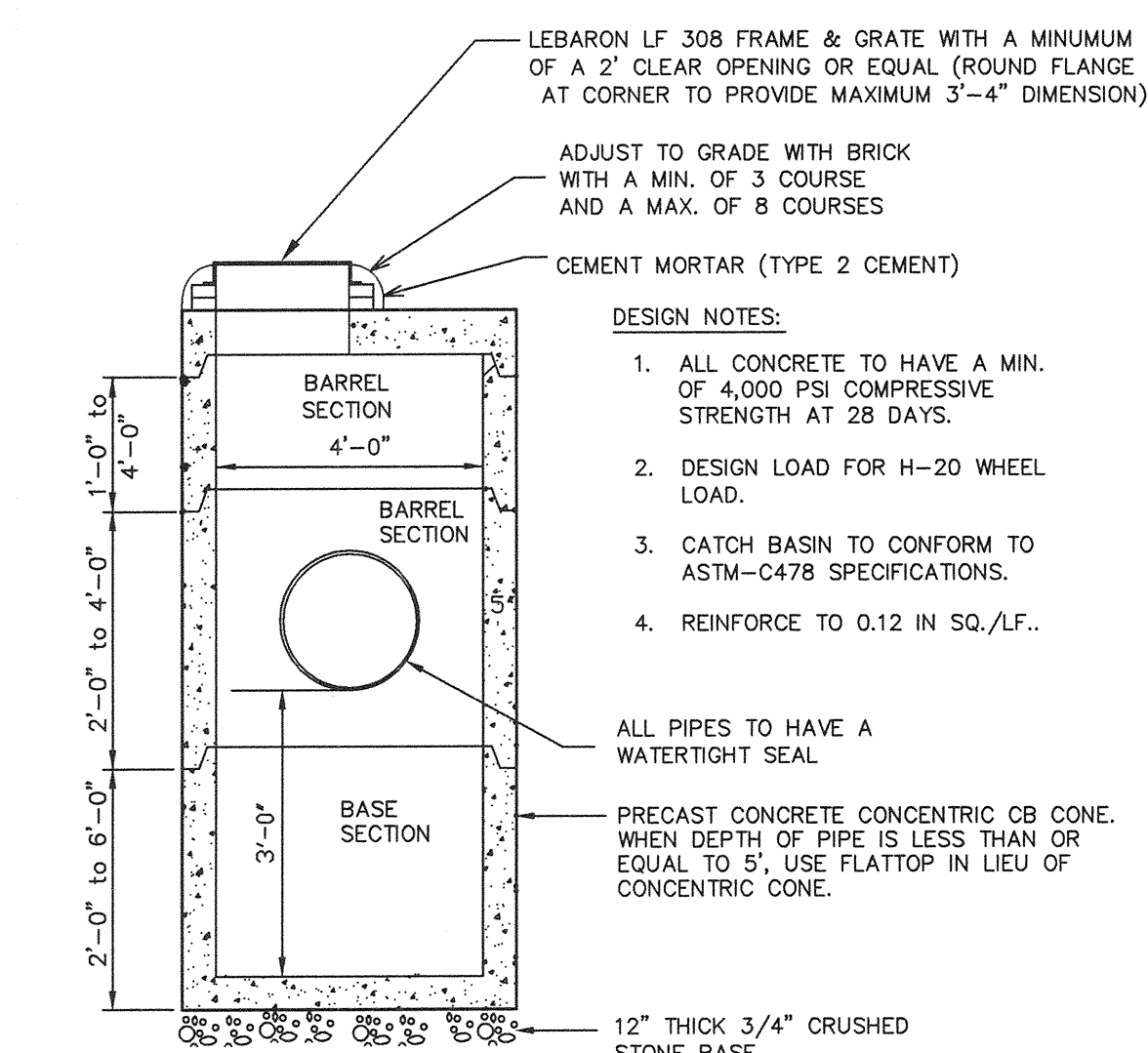


TYPE "A" MANHOLE COVER AND FRAME

N.T.S.

PRECAST CONCRETE CATCH BASIN TYPE "E"

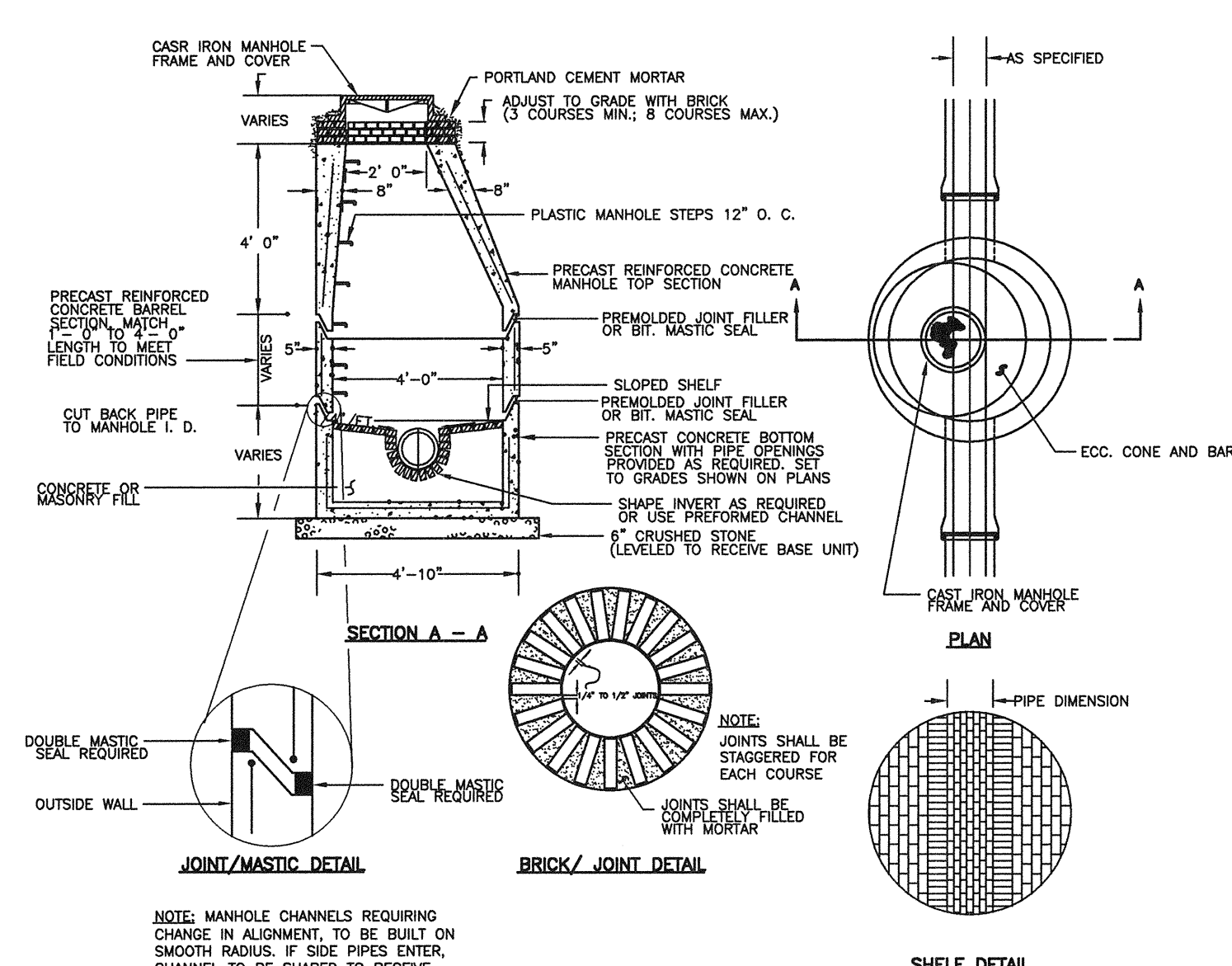
N.T.S.



4'-0" PRECAST CATCH BASIN

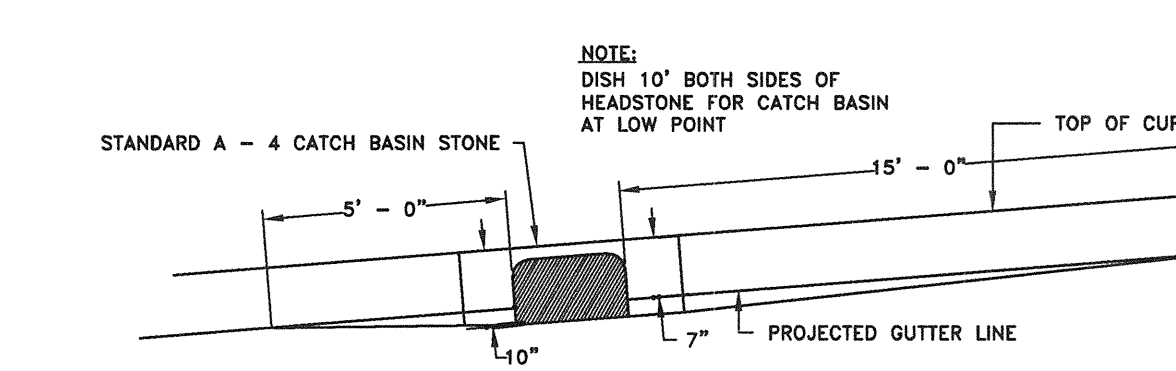
N.T.S.

- GENERAL NOTES**
- ALL CONCRETE SHALL BE A CLASS "A" AND HAVE A MINIMUM ULTIMATE STRENGTH OF 4000 LBS. PER SQ. INCH AT THE END OF 28 DAYS, UNLESS OTHERWISE NOTED.
 - ASTM SPEC. C-478-67
 - C-32-63, GRADE MA AND SA.
 - APPLIED TO THE EXTERIOR SURFACE, IF CONSTRUCTION OF BRICK MASONRY, THE SMOOTH MORTAR SURFACE SHALL BE PLASTERED WITH A SMOOTH MORTAR FINISH 3/8" THICK. AFTER THE MORTAR HAS SET, THE SURFACE SHALL BE WATERPROOFED AS REQUIRED BY SUPPLEMENTAL SPECIFICATIONS SECTION 604.
 - CASTINGS SHALL CONFORM TO ASTM DESIGNATION A48-CLASS 35. ALL PARTS OF CASTINGS, EXCEPT FINISHED SURFACE, SHALL RECEIVE A COAT OF COAL TAR PITCH VARNISH OR ASPHALTUM PAINT WHICH SHALL BE SMOOTH AND TOUGH BUT NOT BRITTLE.
 - MANHOLES MAY BE CONSTRUCTED OF MASONRY, PRECAST REINFORCED CONCRETE, OR CAST IN PLACE.
 - ALL PRECAST MANHOLES AND CATCH BASINS SHALL BE IDENTIFIED BY STATION AND OFFSET, PAINTED ON THE SIDE OF THE STRUCTURE BY THE MANUFACTURER.
 - STORM AND SEWER MANHOLES SHALL HAVE SOLID COVERS WITH ONE DRILLED HOLE.
 - EXISTING MANHOLE AND CATCH BASIN FRAMES AND COVERS SHALL BE SALVAGED BY THE CONTRACTOR, AND REMAIN THE PROPERTY OF THE CITY OF PORTLAND.



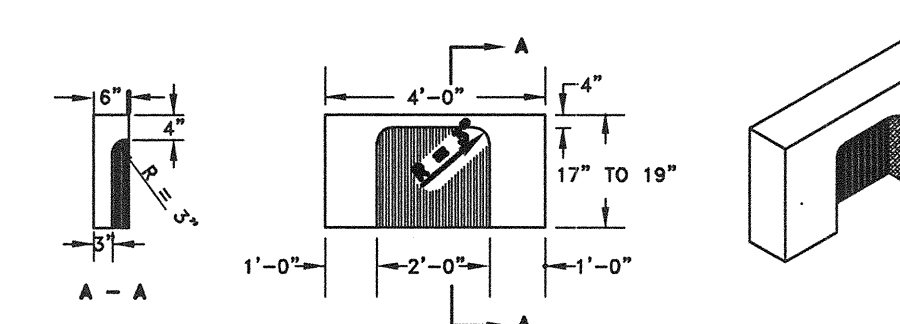
PRECAST CONCRETE MANHOLE TYPE "A"

N.T.S.



TYPICAL PAVEMENT GRADING ON SLOPES FOR CATCH BASIN AND INLET STONES

N.T.S.



CATCH BASIN INLET STONE

N.T.S.

Prepared For:
SOUTHERN MAINE STUDENT HOUSING, LLC
247 Commercial Street
Rockport, Maine 04856
Tel: (207) 236-4067

Prepared By:
MITCHELL & ASSOCIATES
Landscape Architects
The Staples School
70 Center Street
Portland, Maine 04101
Tel: (207) 774-4427

Gorrill-Palmer
Consulting Engineers, Inc.
Traffic and Civil Engineering Services
15 Shaker Road
Gray, ME 04039
207-657-8910
207-657-8912

BAYSIDE VILLAGE
A STUDENT HOUSING COMPLEX
120 Marginal Way
Portland, Maine

Date: JUNE 15, 2007

Issued For: CONSTRUCTION

Revisions:
JUNE 26, 2007 - REVISED UTILITY AND ROOF DRAINAGE
JULY 17, 2007 - CONSTRUCTION DRAWINGS
AUGUST 9, 2007 - REVISED SANITARY LATERAL CONNECTION

Reproduction or reuse of this document without the expressed written consent of Mitchell & Associates is prohibited.

Title: UTILITY AND DRAINAGE DETAILS

Scale: NONE

North: Sheet No:

9

