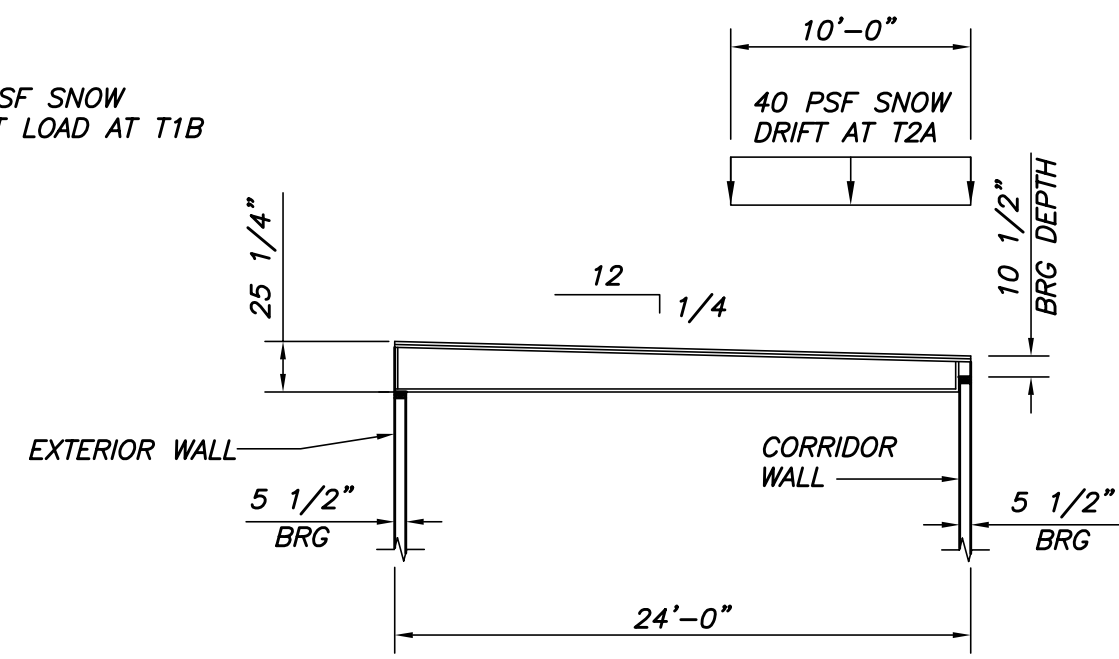
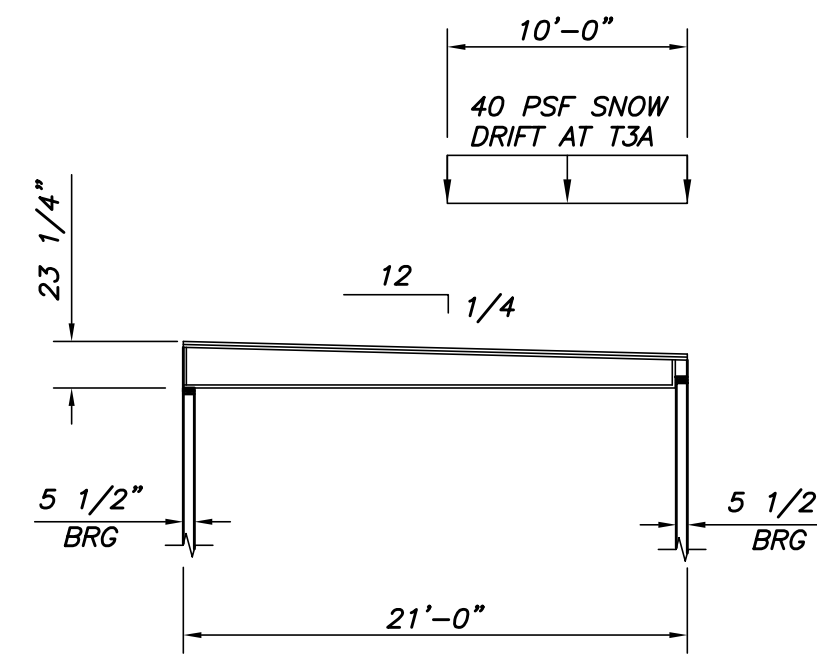


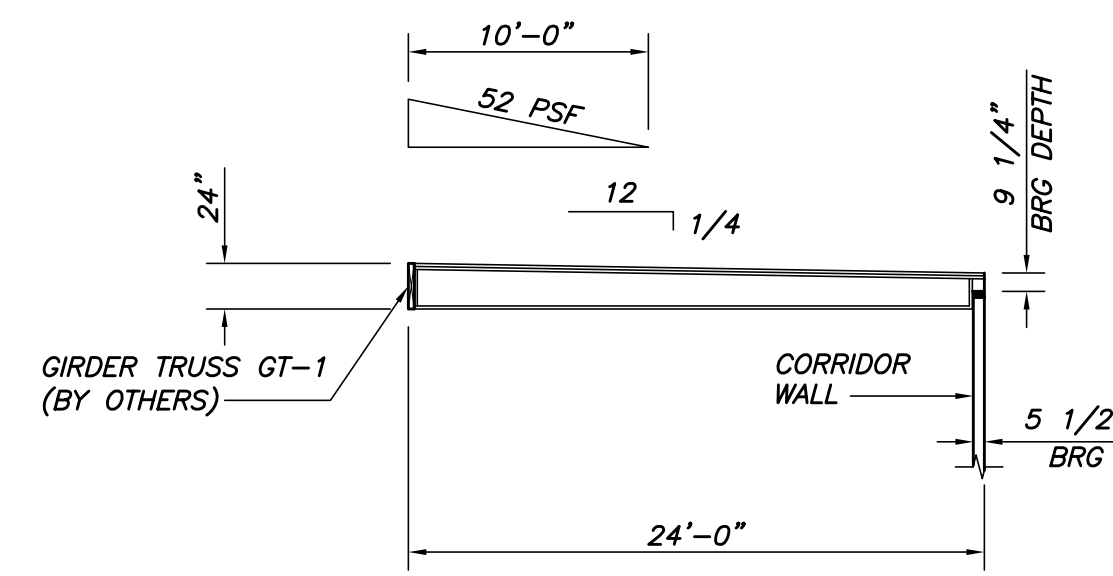
ROOF TRUSS T1, T1A, & T1B



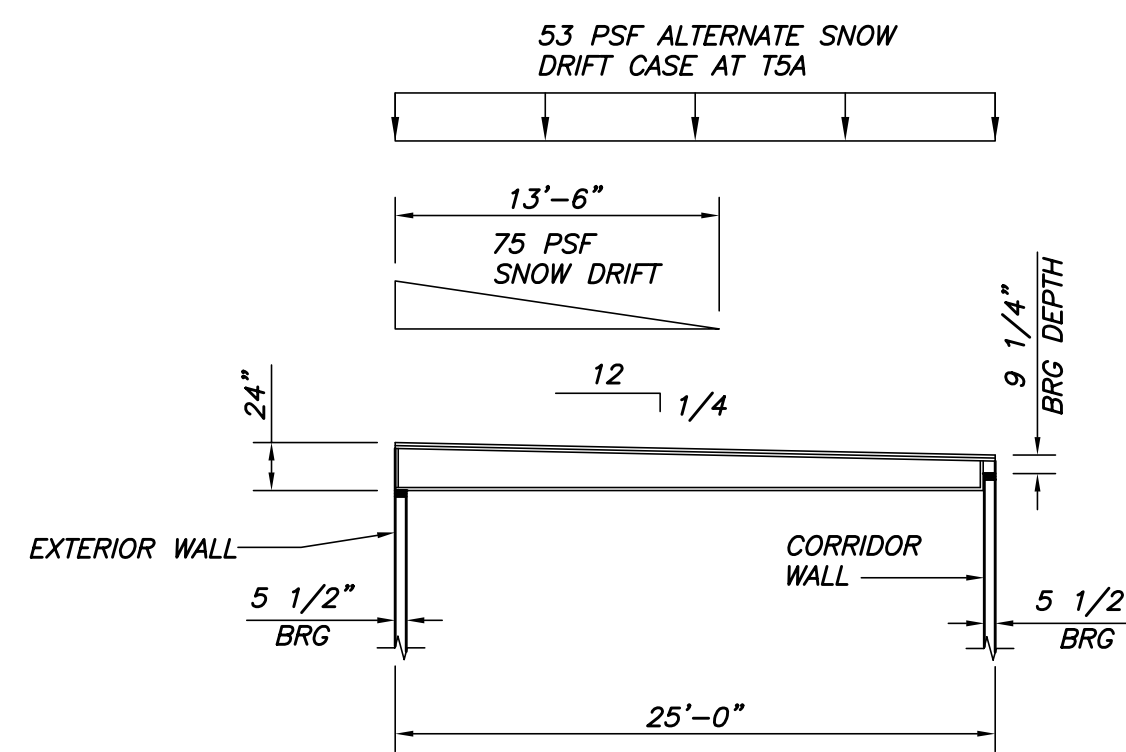
ROOF TRUSS T2 & T2A



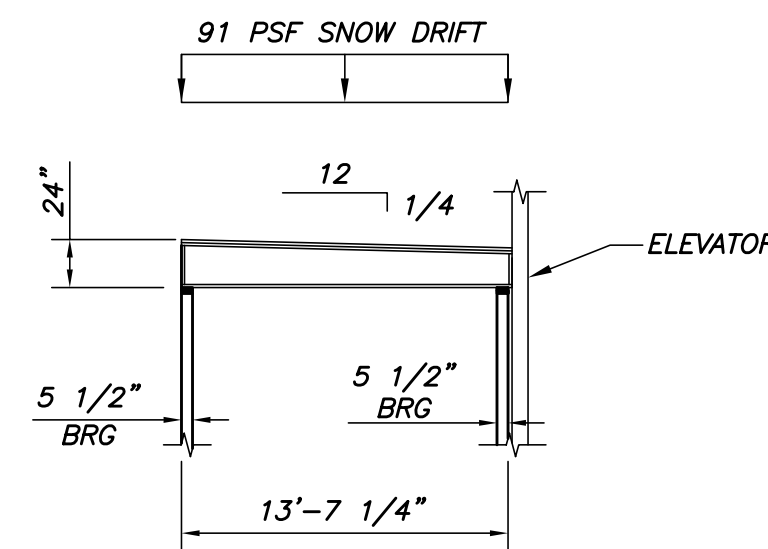
ROOF TRUSS T3 & T3A



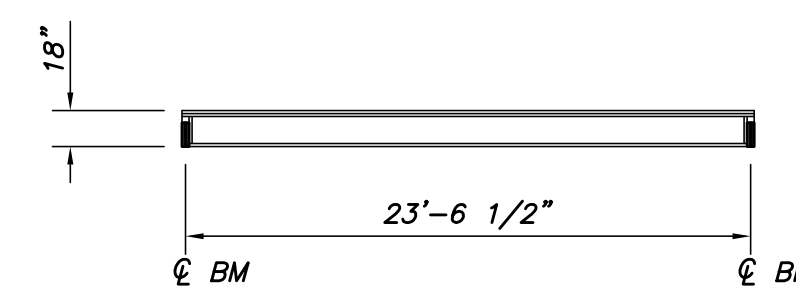
ROOF TRUSS T4



ROOF TRUSS T5 & T5A



ROOF TRUSS T6



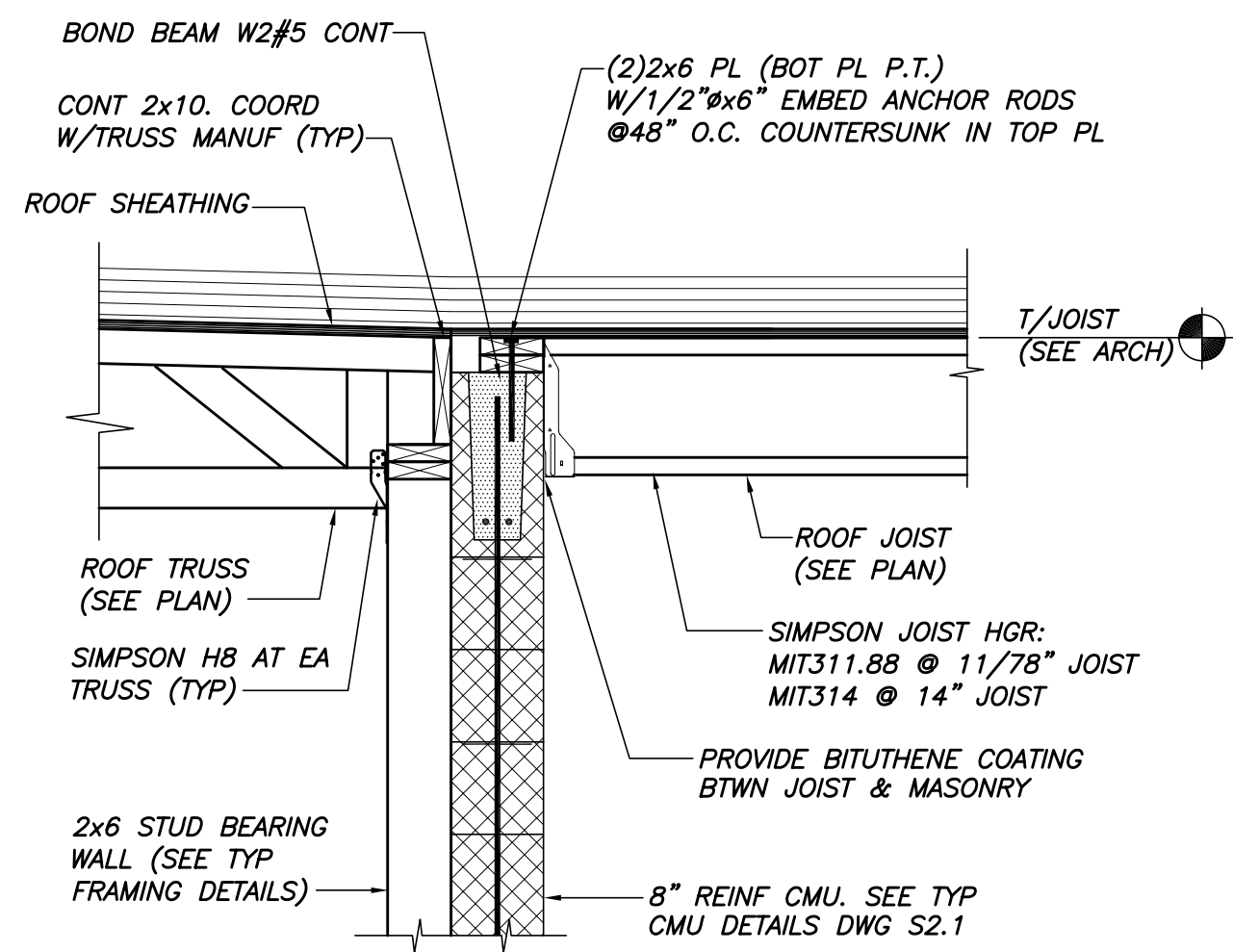
ROOF TRUSS T7

ROOF TRUSS DIAGRAMS
N.T.S.

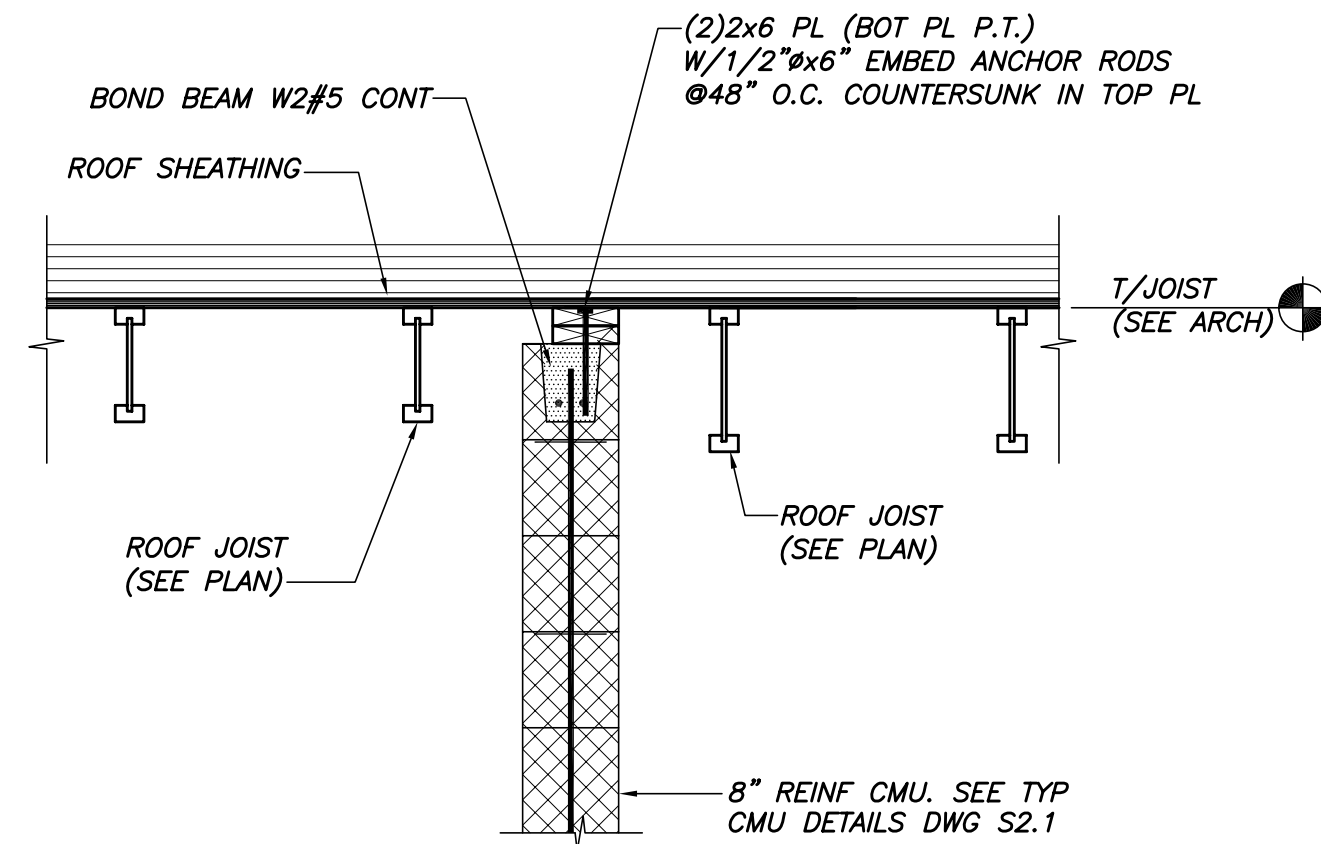
ROOF TRUSS DESIGN LOADS:
THE FOLLOWING DESIGN LOADS SHALL BE USED FOR THE DESIGN OF THE TRUSSES, UNLESS NOTED OTHERWISE.

TOP CHORD DEAD LOAD	10 PSF
BOT CHORD DEAD LOAD	10 PSF
BALANCED SNOW LOAD	46 PSF

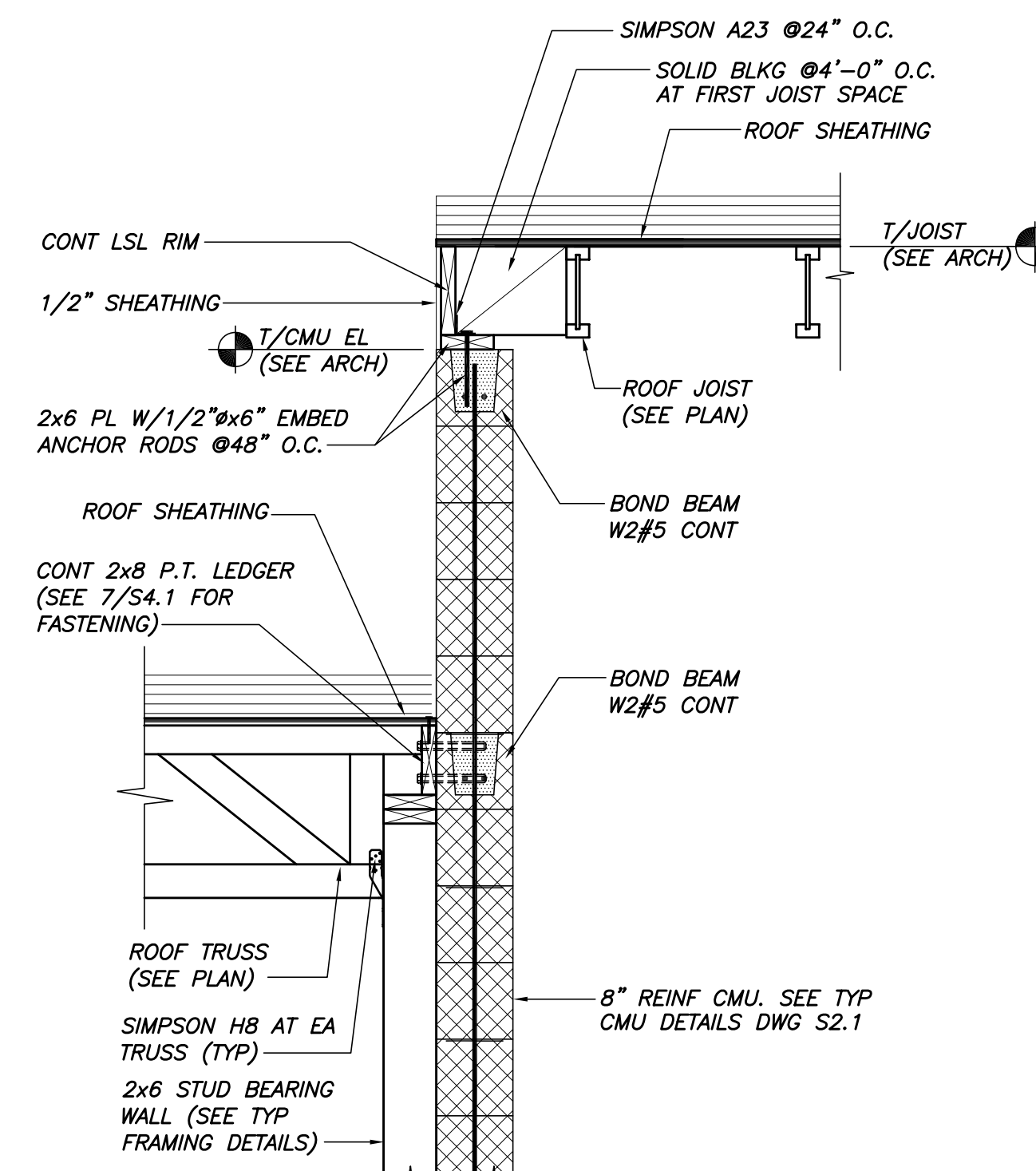
SEE TRUSS PROFILES FOR ADDITIONAL LOADS SUPERIMPOSED ON LOADS LISTED ABOVE.



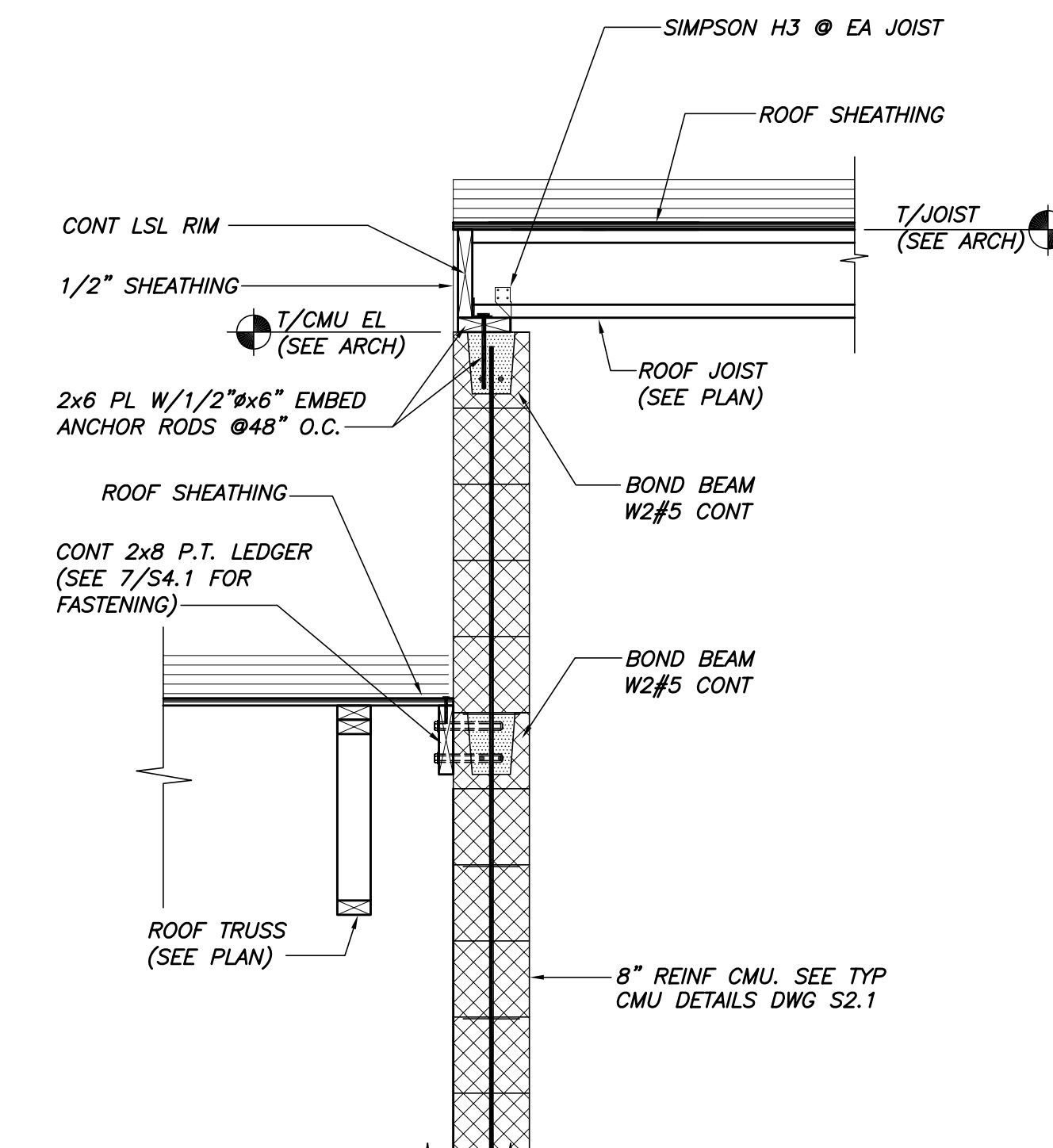
SECTION 1
3/4"=1'-0" S1.6



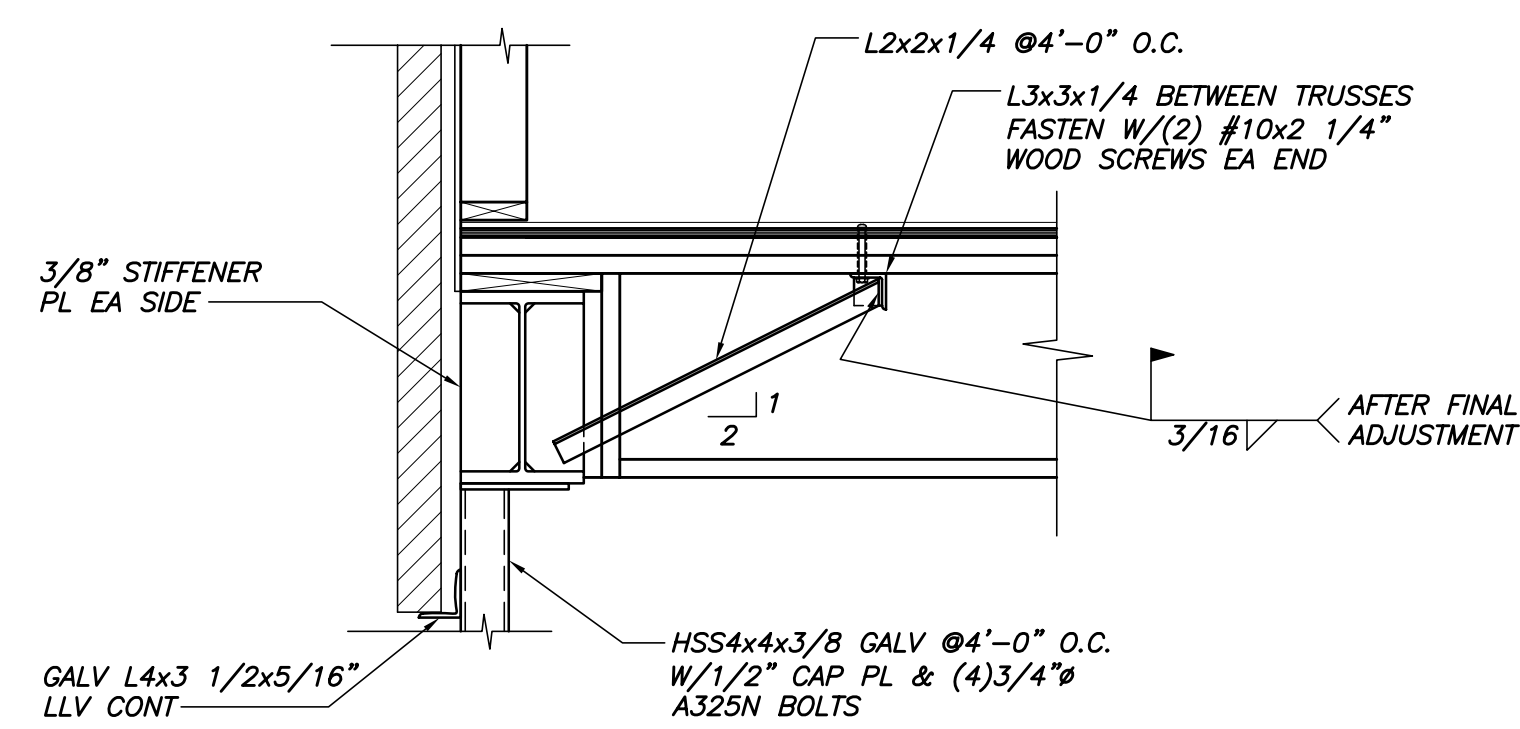
SECTION 2
3/4"=1'-0" S1.6



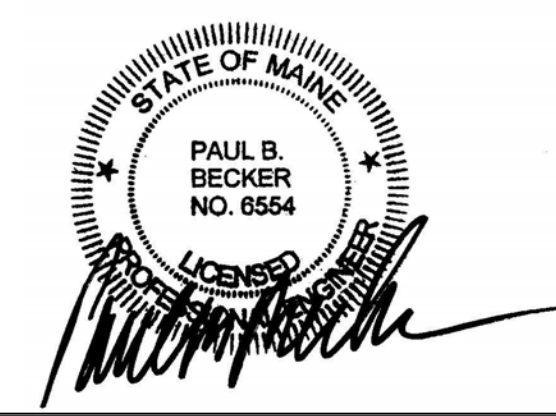
SECTION 3
3/4"=1'-0" S1.6



SECTION 4
3/4"=1'-0" S1.6



SECTION 5
3/4"=1'-0" S1.3



CWS Architects
Architecture
Space Planning
Value Design

434 Cumberland Avenue
Portland, ME 04101
Phone: (207) 774-4441
Fax: (207) 774-4016
www.CWSarch.com

BECKER
structural engineers, inc.
75 York Street
Portland, ME 04101-4701
Tel: 207-679-3838
Fax: 207-679-3822
www.becker-engineers.com

Owner: **SOUTHERN MAINE STUDENT HOUSING LLC**
247 COMMERCIAL STREET
ROCKPORT, MAINE 04856
TEL: (207) 236-4067

Contractor: **PIZZAGALLI CONSTRUCTION**
100 FODEN RD WEST, SUITE 300
SOUTH PORTLAND, ME 04106
TEL: (207) 847-2323
FAX: (207) 874-2727

BAYSIDE VILLAGE - A STUDENT HOUSING COMPLEX
120 MARGINAL WAY
PORTLAND, MAINE

Project No: 2006-425.BSV

Drawing Title: **ROOF TRUSS DETAILS**

Scale: NOTED
Date: 09/14/2007
Revisions:

Drawing Number: **S4.3**

ISSUED FOR CONSTRUCTION.