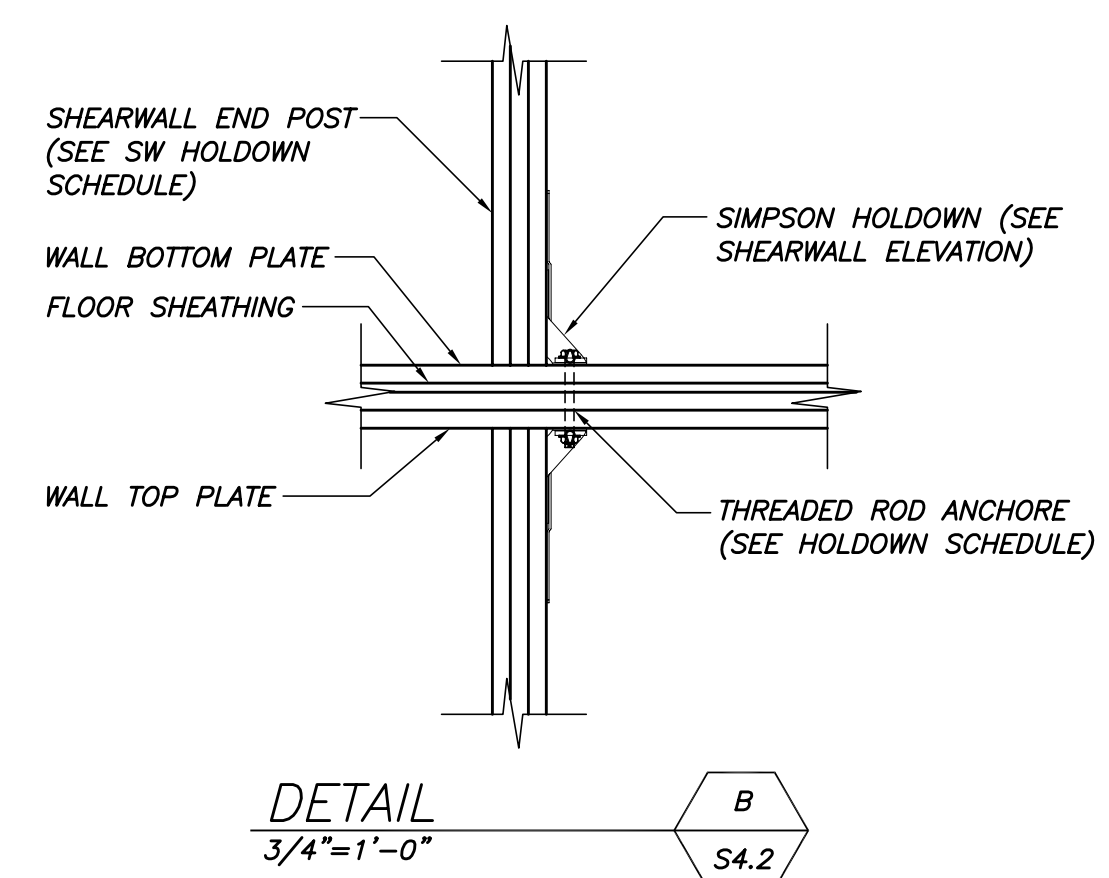
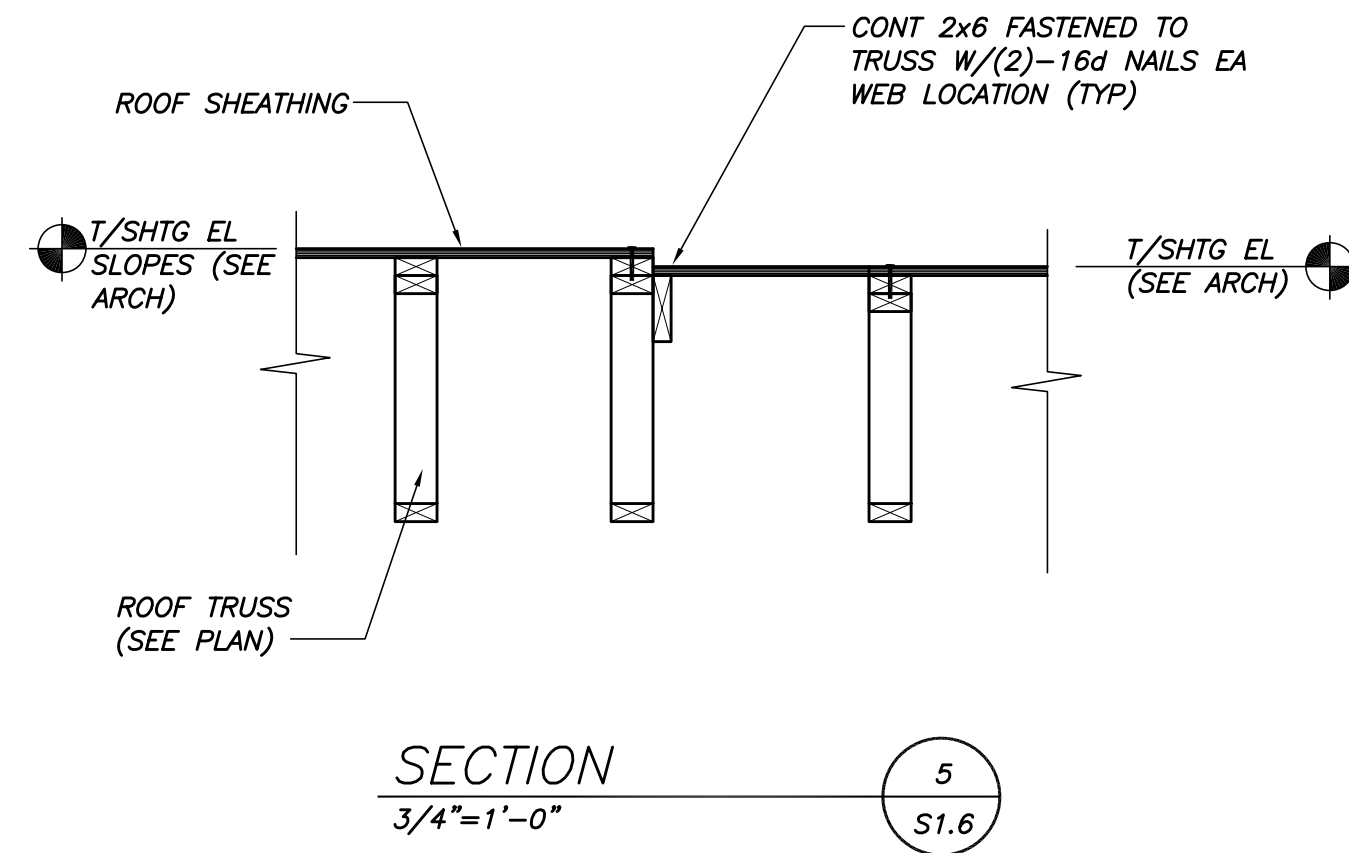
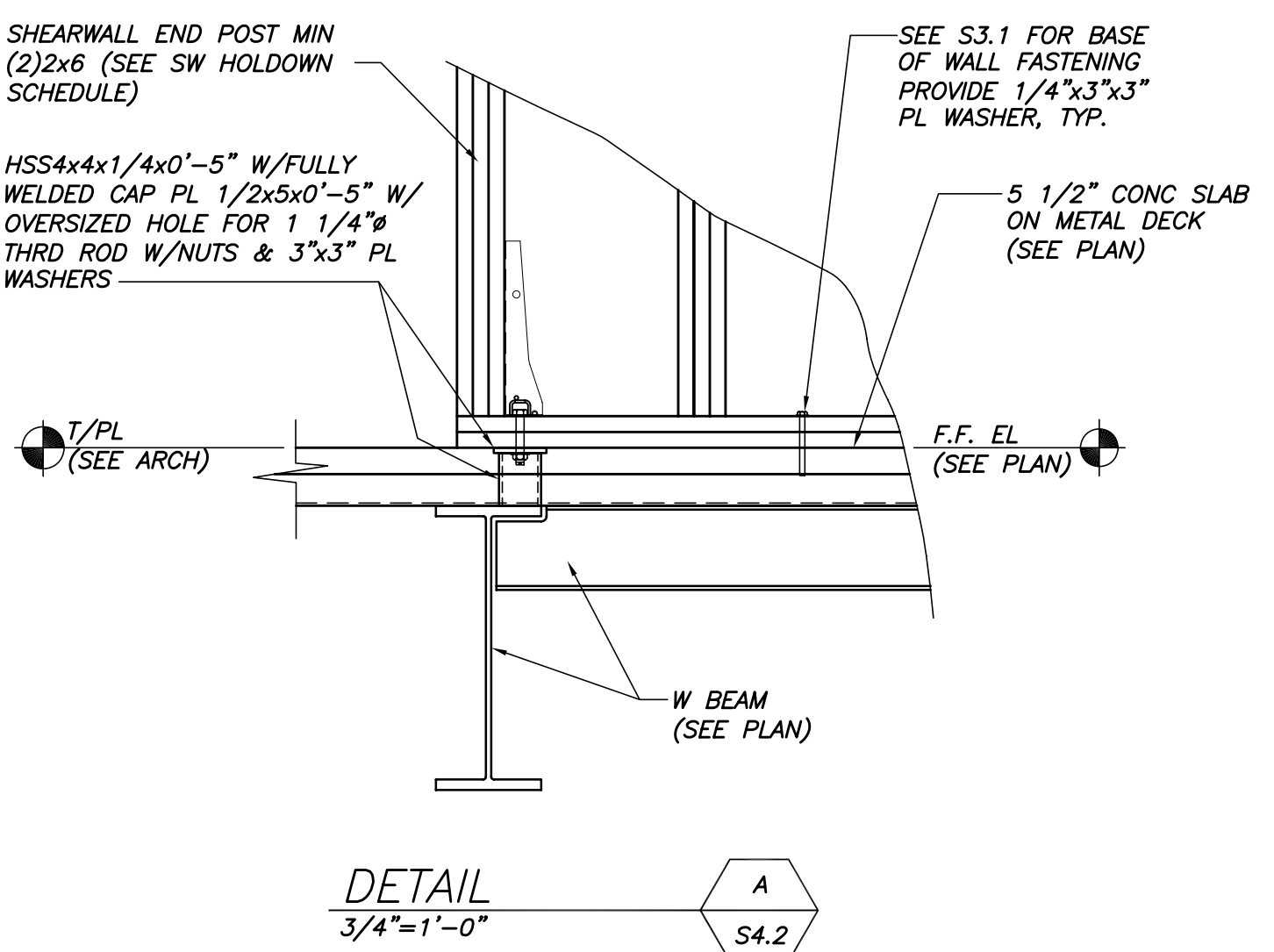
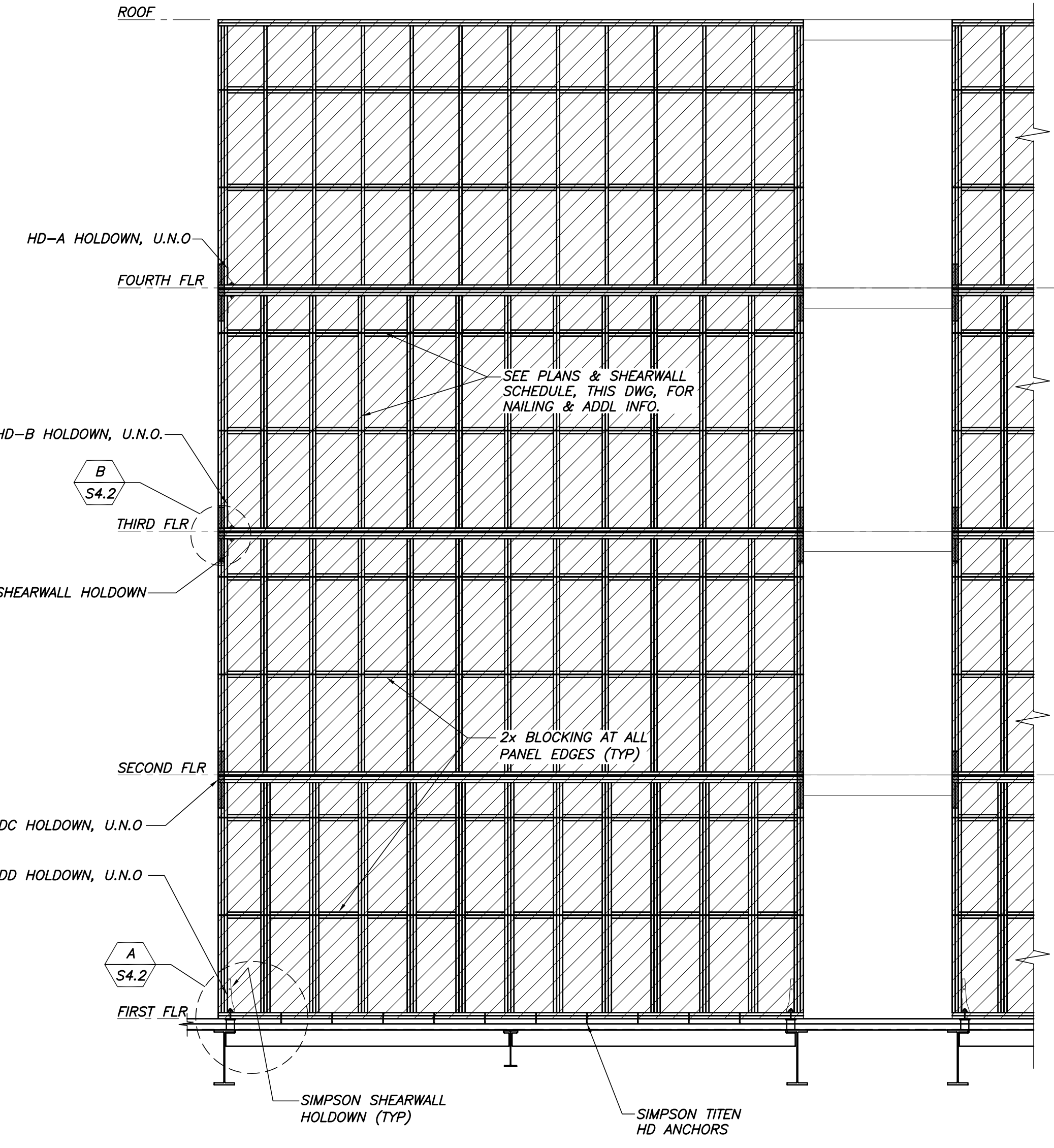


SHEARWALL SCHEDULE				
MARK	SHEATHING THICKNESS	NAILING AT PANEL EDGES	BOTTOM PL ATTACHMENT	NOTES
SW-1	1/2"	8d @ 4" O.C.	16d @ 4" O.C.	
SW-2	1/2"	10d @ 3" O.C.	2 ROWS 16d @ 4" O.C.	
SW-3	1/2" STRUCT I	10d @ 2" O.C.	2 ROWS 16d @ 3" O.C.	
SW-4	1/2" (2) SIDES	10d @ 3" O.C.	NA	PROVIDE 3" NOMINAL FRAMING AT PANEL EDGES. NAILS SHALL BE STAGGERED.
SW-5	1/2"	8d @ 6" O.C.	16d @ 4" O.C.	

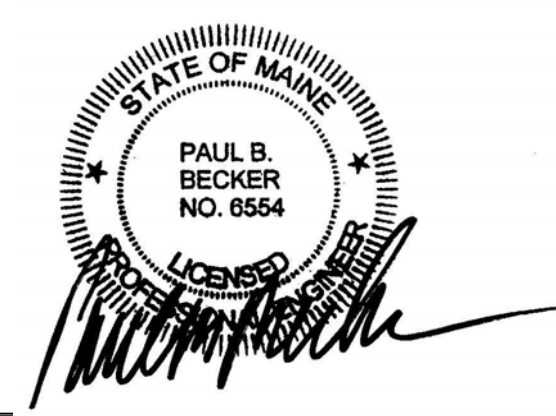
SHEARWALL HOLDOWN SCHEDULE				
MARK	HOLDOWN	MIN VERTICAL WOOD MEMBER	ANCHOR SIZE	DETAIL
HDA	HDU5-SDS2.5	2-2X6	5/8"φ	B/S4.2
HDB	HDU11-SDS2.5	3-2X6	1"φ	B/S4.2
HDC	HD14A	4-2X6	1"φ	B/S4.2
HDD	HD15	4-2X6	1 1/4"φ	A/S4.2

- NOTES:**
- SHEATHING SHALL BE APPLIED TO ONE SIDE OF WALL, U.N.O.
  - ALL SHEATHING SHALL BE APA RATED, U.N.O.
  - NAILING AT INTERMEDIATE SUPPORTS SHALL BE SPACED AT 12" O.C. USE NAIL SIZE INDICATED AT PANEL EDGES.
  - DO NOT COUNTERSINK NAILS.

- WOOD STUD SHEARWALL NOTES:**
- PLYWOOD SHEAR PANELS SHALL BE SINGLE SIDED MINIMUM 1/2" APA RATED SHEATHING PANELS. 2. PLYWOOD TO BE PLACED WITH FACE GRAIN PERPENDICULAR TO STUDS.
  - USE 4'-0"x8'-0" PLYWOOD SHEETS WHERE POSSIBLE.
  - MINIMUM WIDTH OF PLYWOOD SHEET IS 2'-0"
  - SHEARWALL ELEVATIONS ARE INTENDED TO DETAIL SHEARWALL ELEMENTS ONLY. FRAMING SHOWN MAY NOT REFLECT ALL BUILDING COMPONENTS AT THE SHEARWALL AREA.
  - COORDINATE SHEARWALL DIMENSIONS AND LOCATIONS WITH ARCHITECTURAL DRAWINGS.
  - HOLES ARE ALLOWED IN PLYWOOD SHEARWALLS AS SHOWN ON THE DRAWINGS (SEE ARCHITECTURAL DRAWINGS.)
  - PROVIDE "2x" OR "3x" BLOCKING (SEE ELEVATION), AT ALL PANEL EDGES.
  - SHEAR PANEL EDGE NAILING PATTERN INDICATED ON SHEARWALL SCHEDULE.
  - 3/8" MINIMUM EDGE DISTANCE AT ANY NAILED CONNECTION.
  - SHEARWALL HOLD DOWNS SHALL BE AS SPECIFIED, MANUFACTURED BY SIMPSON STRONG-TIE COMPANY, INC. SHEARWALL HOLD DOWN ANCHORS SHALL BE "EPOXY-TIE" ADHESIVE ANCHORS BY SIMPSON STRONG-TIE COMPANY, INC. THREADED ROD SHALL BE ASTM 1554 (MIN) OF SIZE AND EMBEDMENT AS SPECIFIED.



TYP SHEARWALL HOLDOWN DETAIL AT FIRST FLOOR



**CWS Architects**  
 Architecture  
 Space Planning  
 Value Design  
 434 Cumberland Avenue  
 Portland, ME 04101  
 Phone: (207)774-4441  
 Fax: (207)774-4016  
 www.CWSarch.com

**BECKER**  
 structural engineers, inc.  
 75 York Street  
 Portland, ME 04101-4701  
 Tel: 207-679-3838  
 Fax: 207-679-1822

Owner: **SOUTHERN MAINE STUDENT HOUSING LLC**  
 247 COMMERCIAL STREET  
 ROCKPORT, MAINE 04856  
 TEL: (207) 236-4067

Contractor: **PIZZAGALLI CONSTRUCTION**  
 100 FODEN RD WEST, SUITE 300  
 SOUTH PORTLAND, ME 04106  
 TEL: (207) 847-2323  
 FAX: (207) 874-2727

**BAYSIDE VILLAGE - A STUDENT HOUSING COMPLEX**  
 120 MARGINAL WAY  
 PORTLAND, MAINE

Project No: 2006-425.BSV

Drawing Title: **FRAMING SECTIONS & DETAILS**

Scale: NOTED  
 Date: 09/14/2007  
 Revisions:

Drawing Number: **S4.2**

ISSUED FOR CONSTRUCTION.