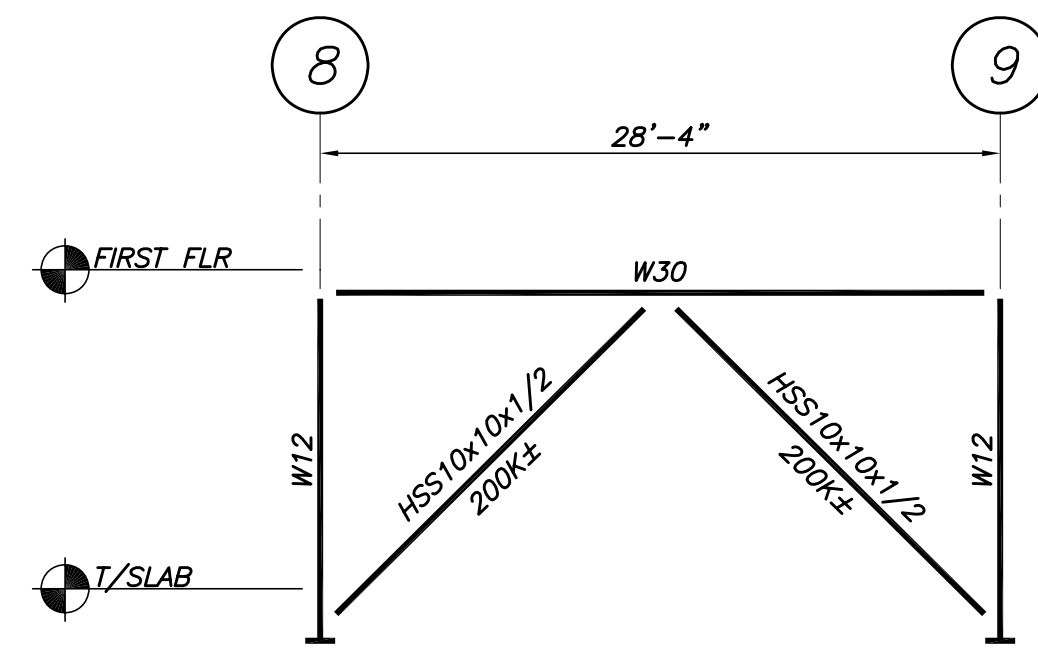
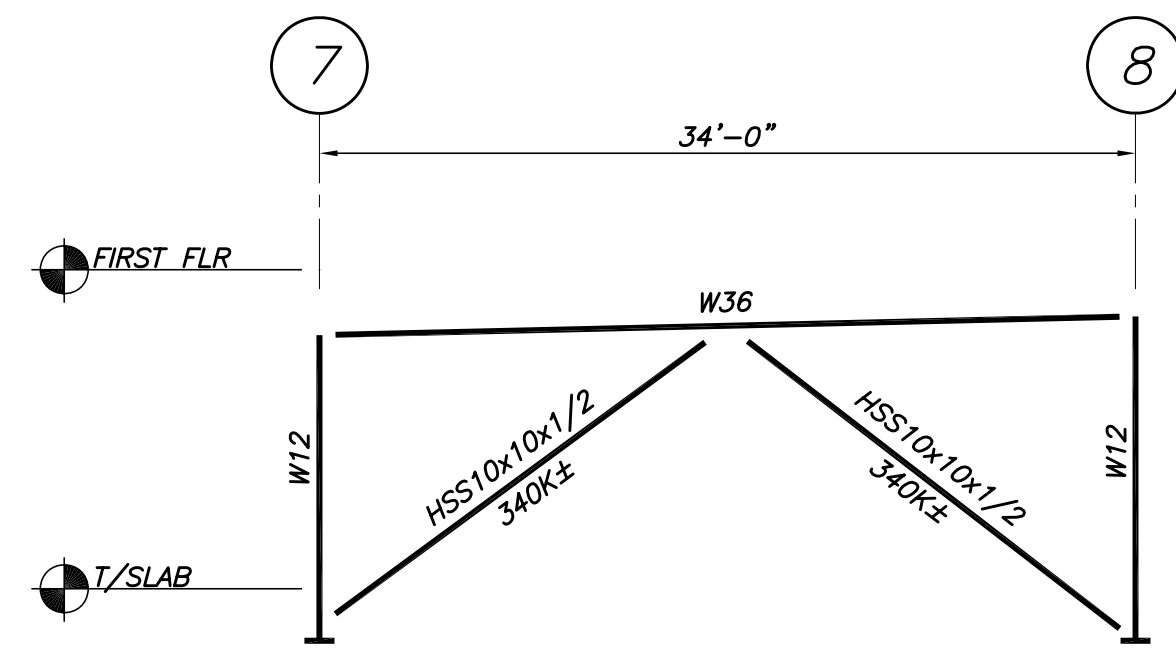


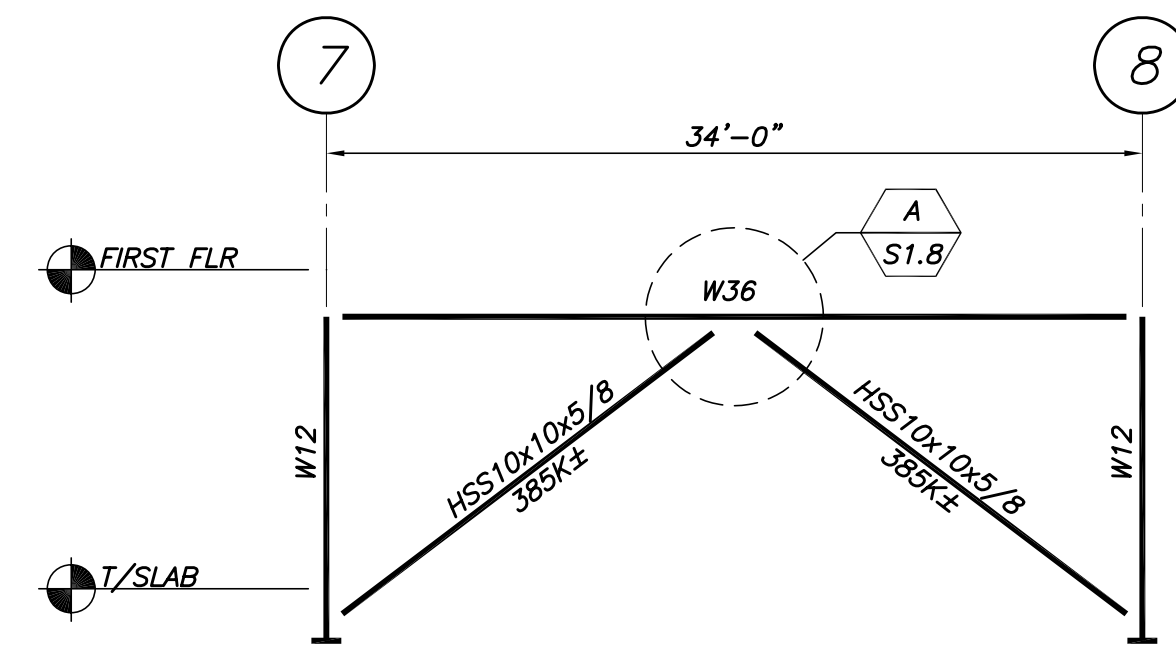
BF-1 AT A LINE



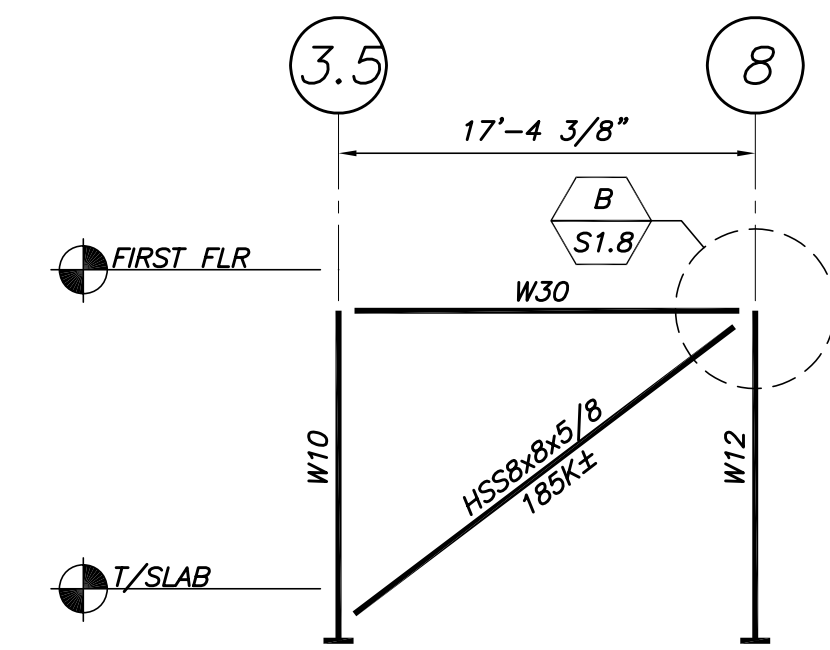
BF-2 AT C LINE



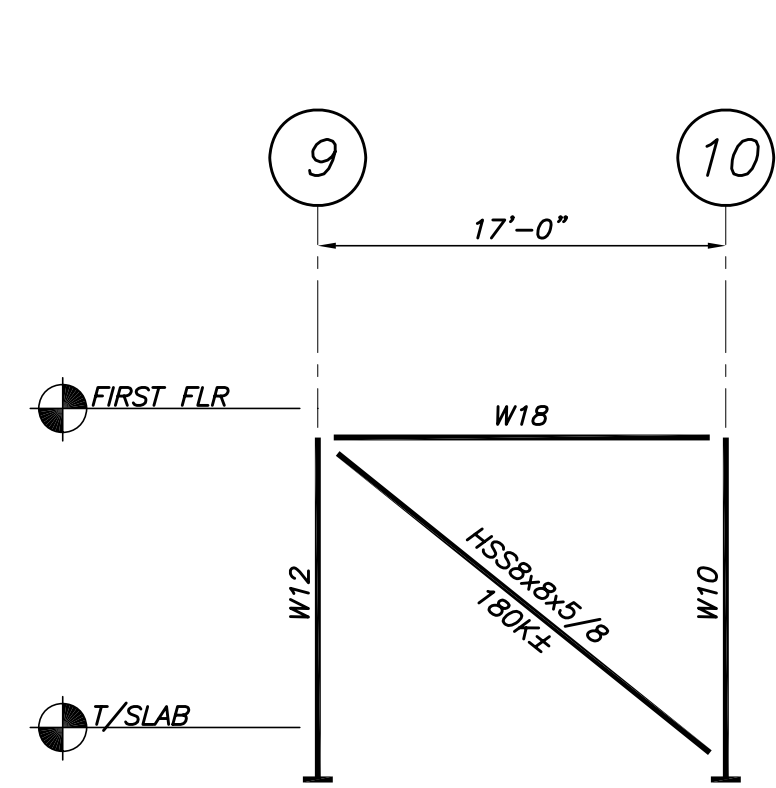
BF-3 AT E LINE
BF-4 AT G LINE



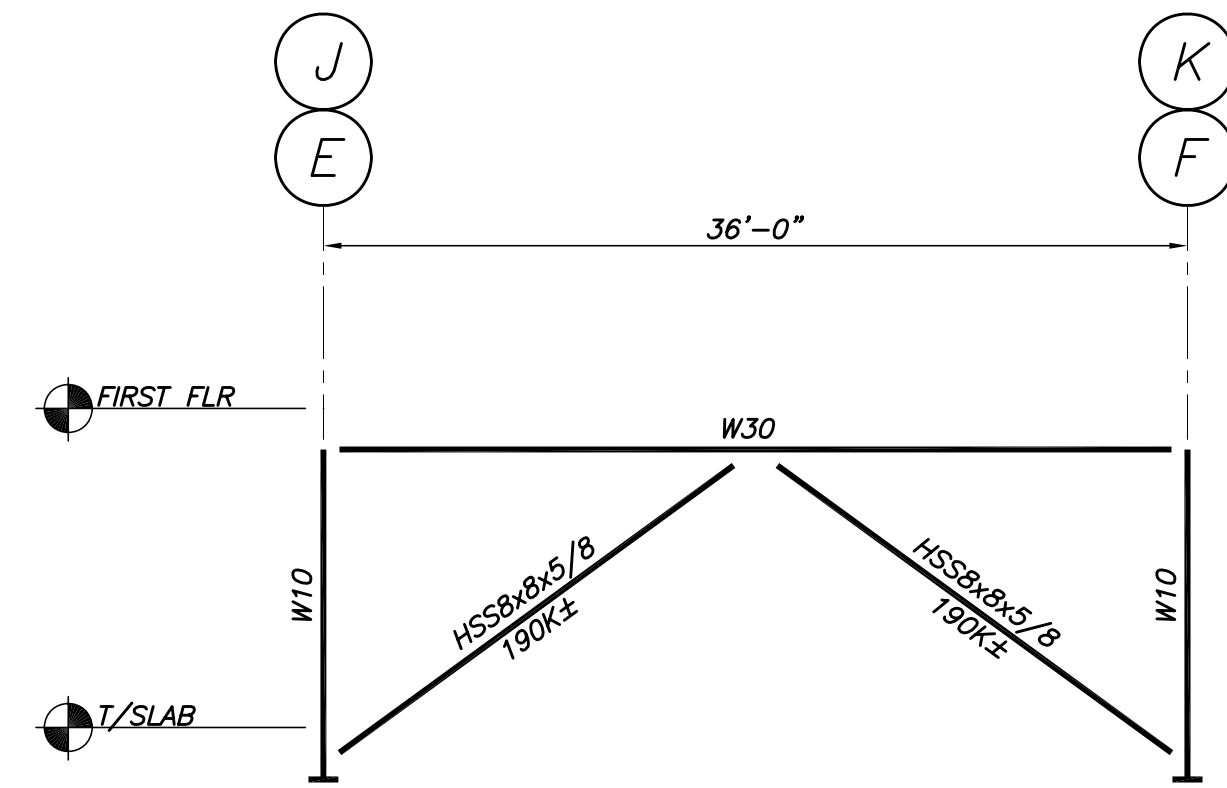
BF-5 AT J LINE



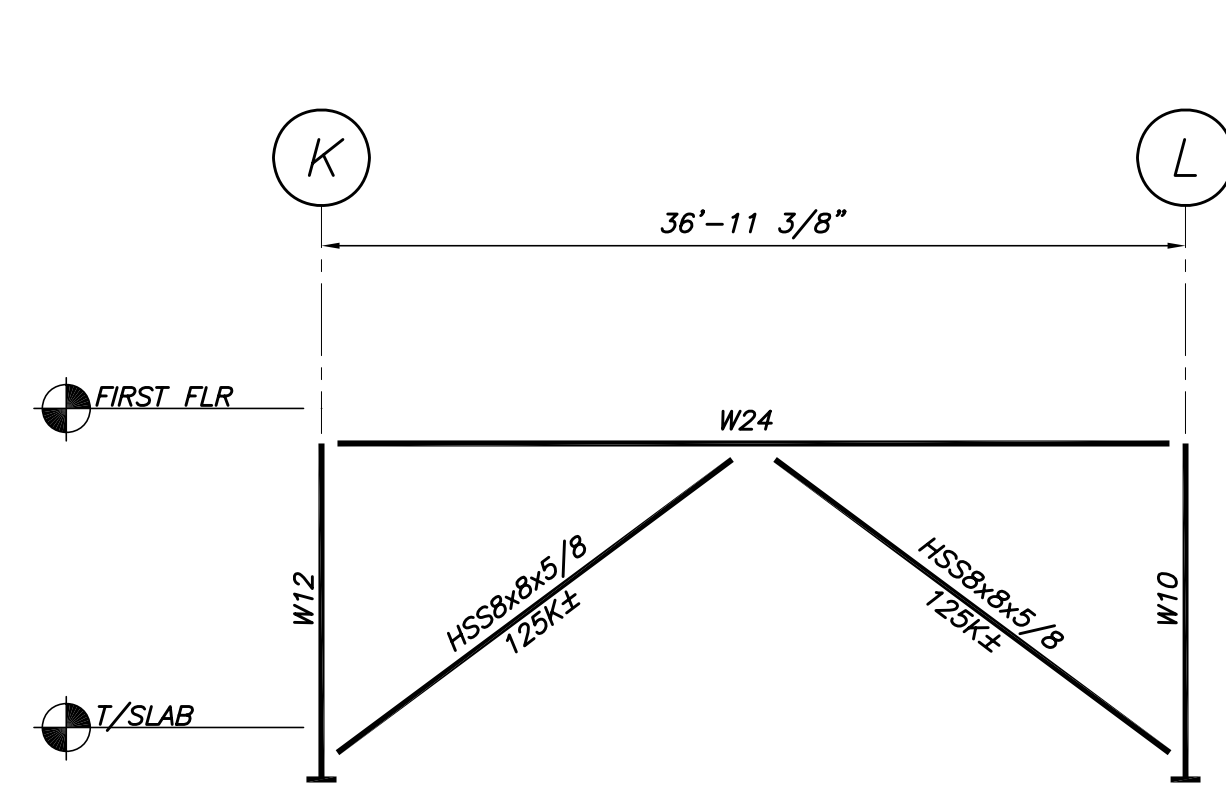
BF-6 AT L LINE



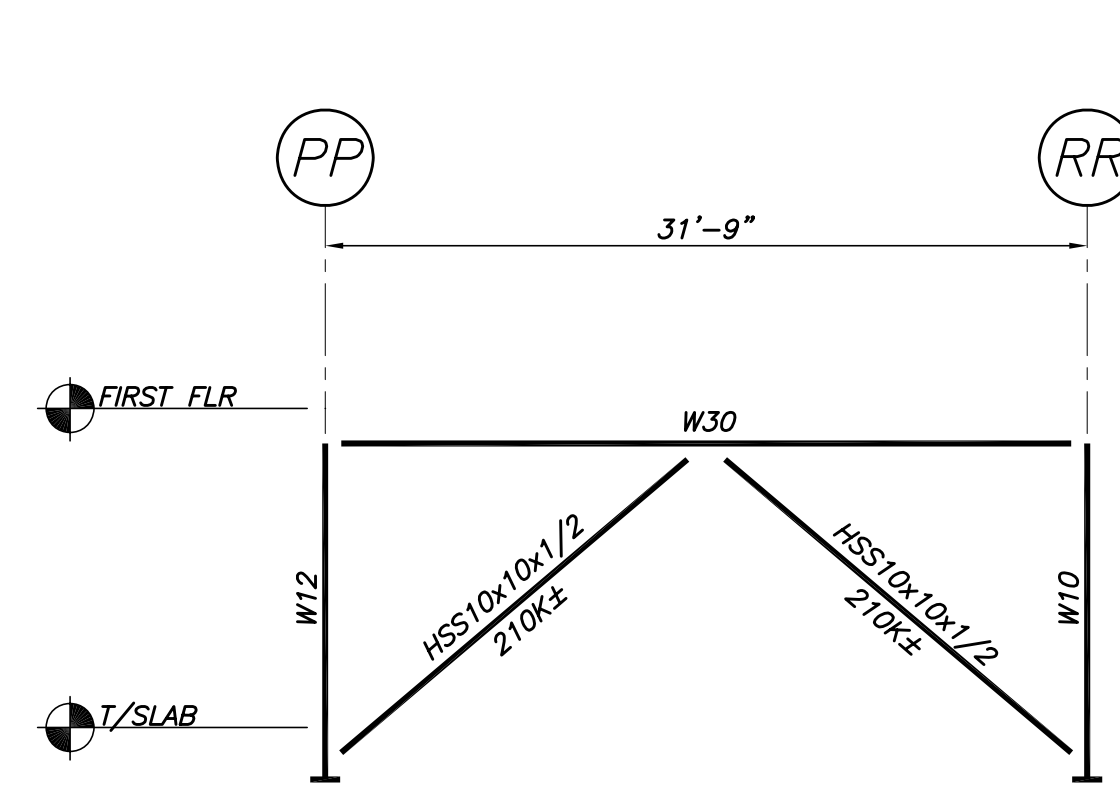
BF-7 AT L LINE



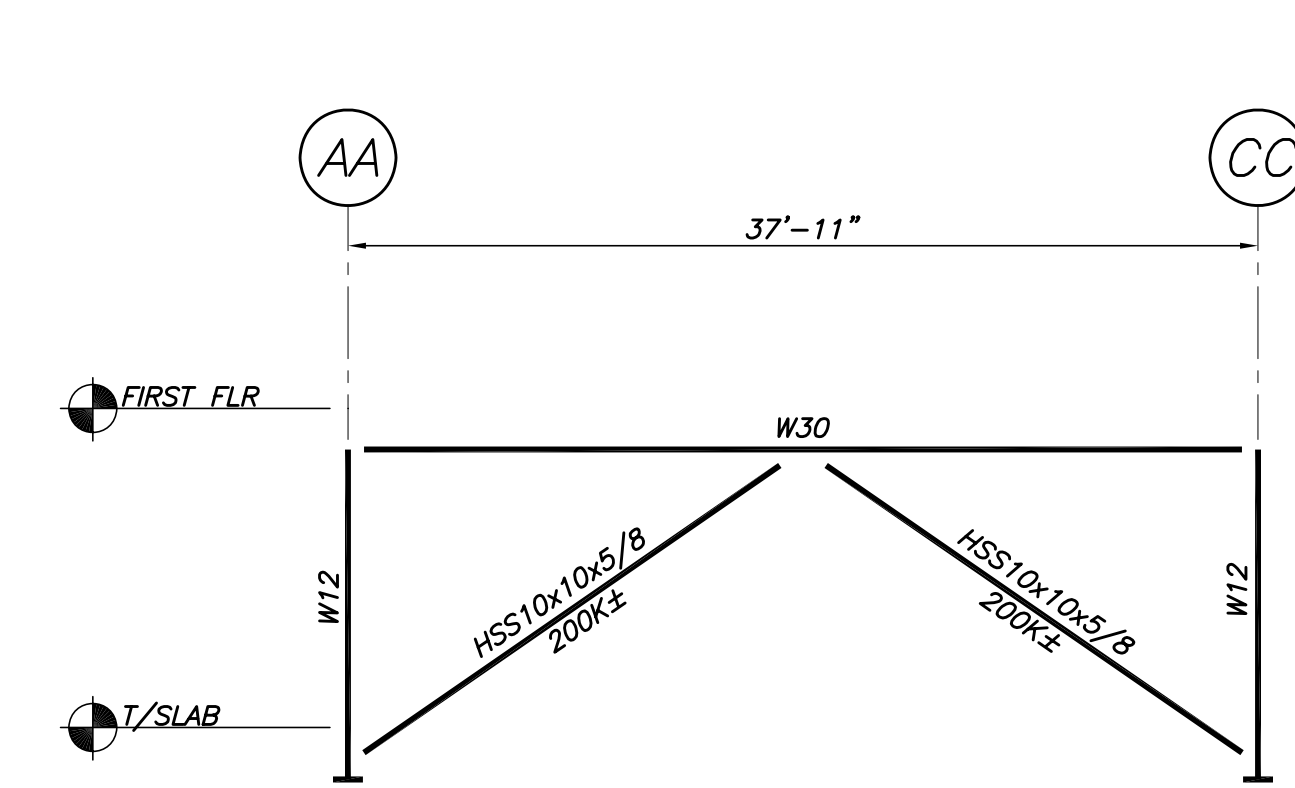
BF-8 AT 10 LINE
BF-9 AT 10 LINE



BF-10 AT 3.5 LINE

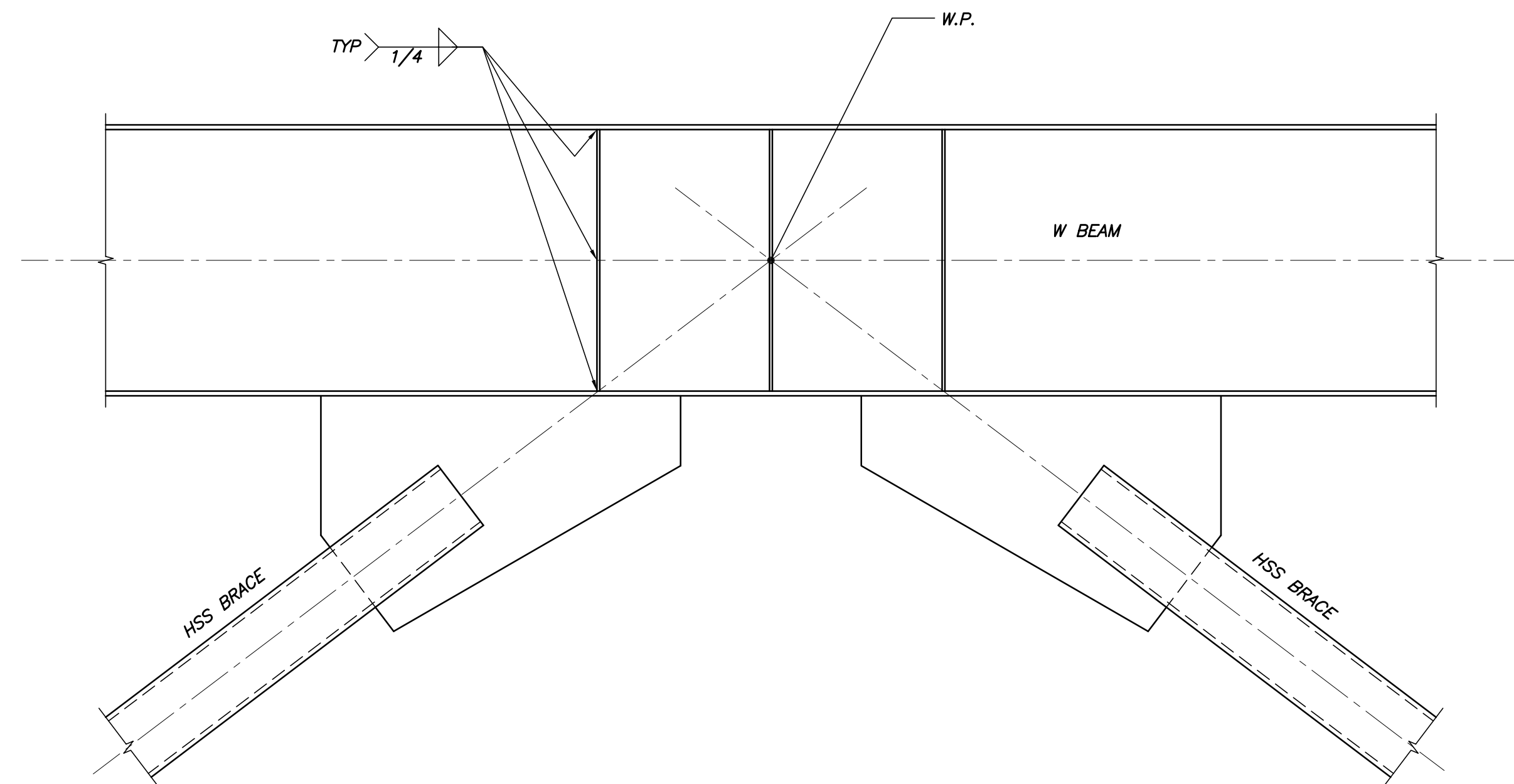


BF-11 AT 2 LINE

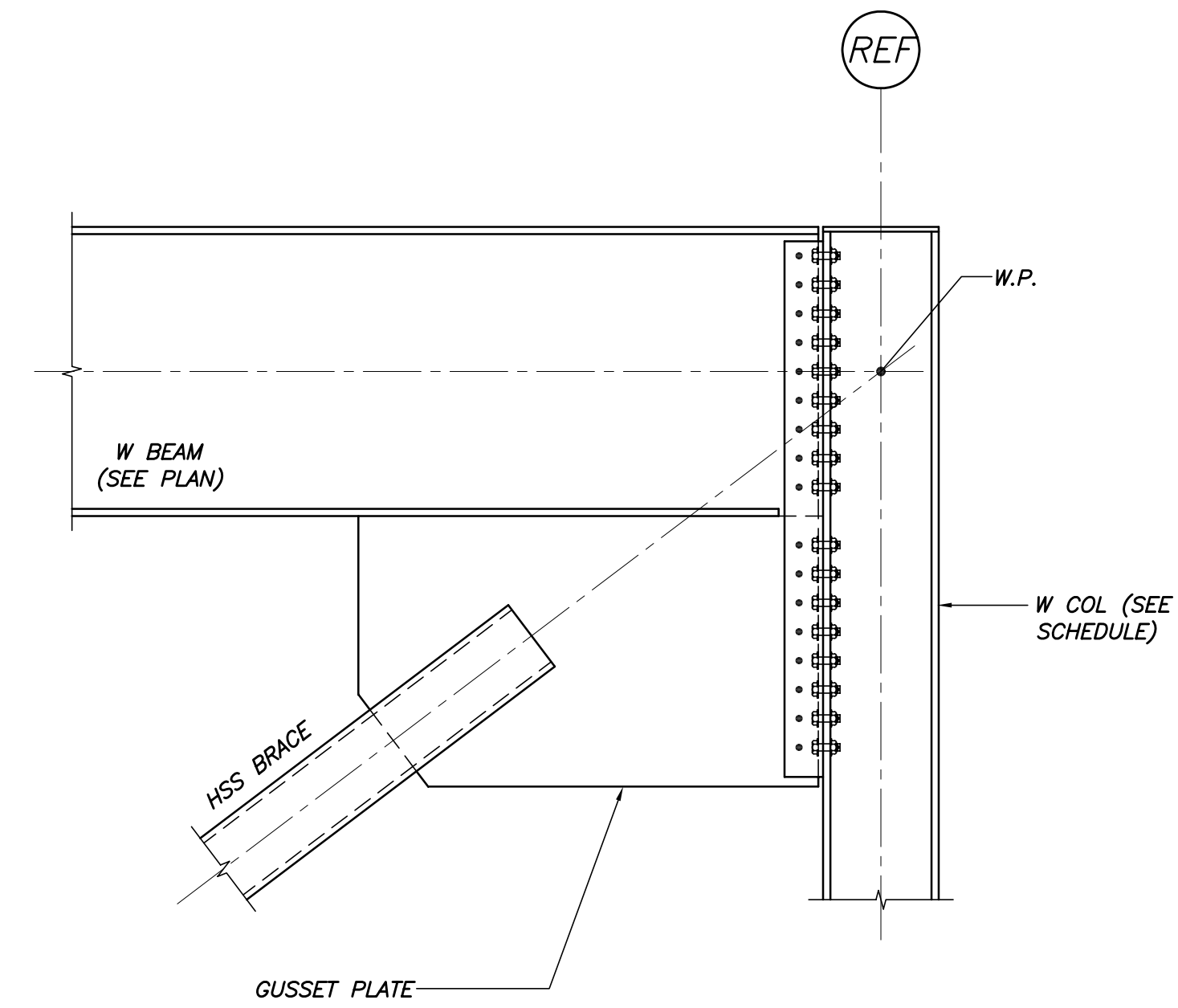


BF-12 AT J LINE

BRACE FRAME ELEVATIONS
1/8"=1'-0"



DETAIL A
3/4"=1'-0" S1.8



DETAIL B
3/4"=1'-0" S1.8



CWS Architects
 Architecture
 Space Planning
 Value Design
 434 Cumberland Avenue
 Portland, ME 04101
 Phone: (207) 774-4441
 Fax: (207) 774-4016
 www.CWSArch.com

BECKER
 structural engineers, inc.
 75 York Street
 Portland, ME 04101-4701
 Tel: 207-679-3838
 Fax: 207-679-3822
 www.beckereng.com

Owner: SOUTHERN MAINE STUDENT HOUSING LLC
 247 COMMERCIAL STREET
 ROCKPORT, MAINE 04856
 TEL: (207) 236-4067

Contractor: PIZZAGALLI CONSTRUCTION
 100 FODEN RD WEST, SUITE 300
 SOUTH PORTLAND, ME 04106
 TEL: (207) 847-2323
 FAX: (207) 874-2727

BAYSIDE VILLAGE - A STUDENT HOUSING COMPLEX

120 MARGINAL WAY
 PORTLAND, MAINE

Project No: 2006-425.BSV

Drawing Title: BRACING ELEVATIONS AND DETAILS

Scale: NOTED
 Date: 09/05/2007
 Revisions:

- △
- △
- △
- △
- △

Drawing Number:

S1.8