



CWS Architects

Architecture
Space Planning
Value Design

434 Cumberland Avenue
Portland, ME 04101
Phone: (207)774-4441
Fax: (207)774-4016

www.CWSarch.com

BECKER
Structural Engineers, Inc.

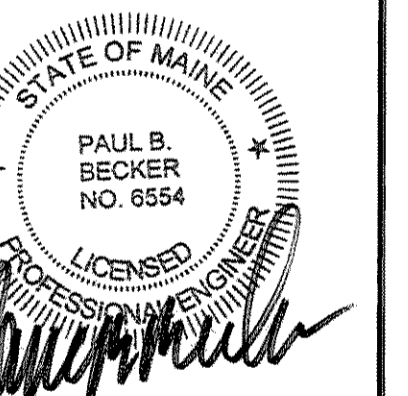
75 York Street
Portland, ME 04101-4701
Tel: 207-879-3838
Fax: 207-879-3832
www.beckerinc.com

Owner:
SOUTHERN MAINE STUDENT HOUSING LLC
247 COMMERCIAL STREET
ROCKPORT, MAINE 04856
TEL: (207) 236-4067

Contractor:
PIZZAGALLI CONSTRUCTION
100 FODEN RD WEST, SUITE 300
SOUTH PORTLAND, ME 04106
TEL: (207) 847-2323
FAX: (207) 874-2727

BAYSIDE VILLAGE - A STUDENT HOUSING COMPLEX

120 MARGINAL WAY
PORTLAND, MAINE



Project No: 2006-425BSV

Drawing Title:
FOUNDATION PART PLANS

Scale: 1/16"=1'-0"

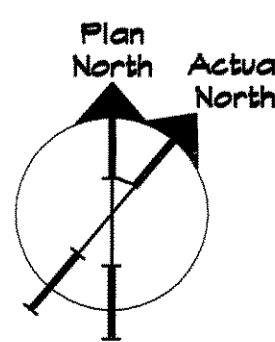
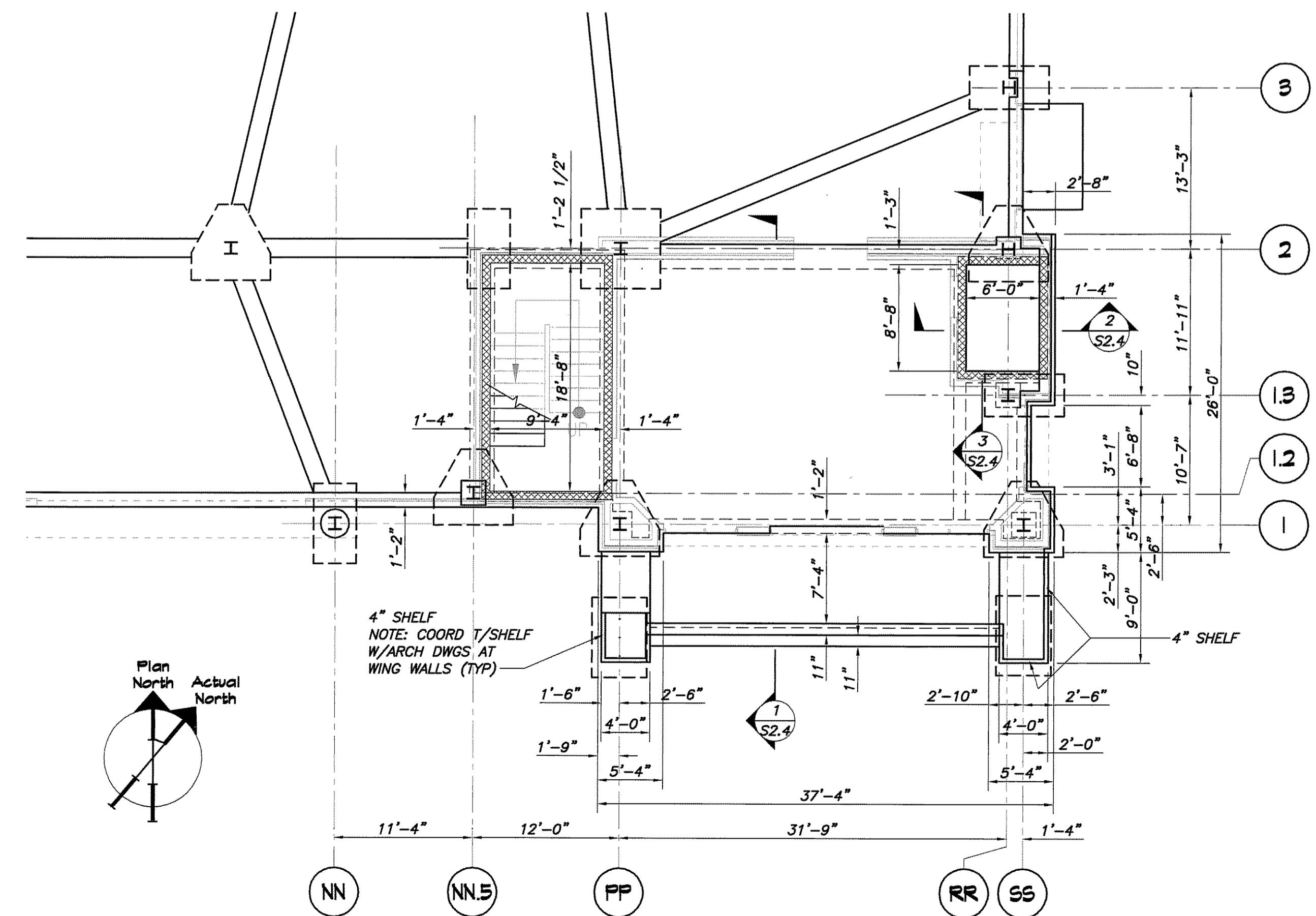
Date: 09/06/2007

Revisions:

- △
- △
- △
- △
- △
- △

Drawing Number:

S1.1A



4" SHELF
NOTE: COORD T/SHELF
W/ARCH DWGS AT
WING WALLS (TYP)

ISSUED FOR CONSTRUCTION