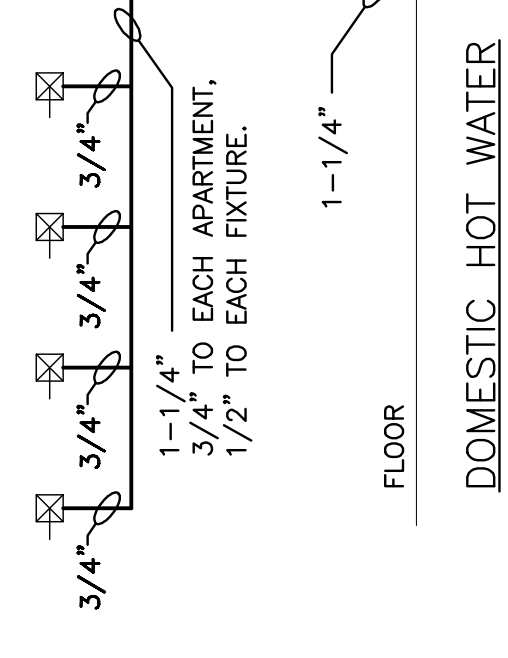
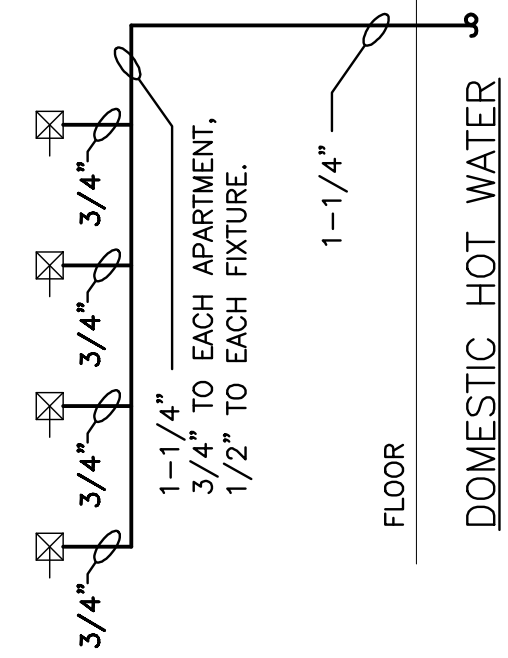


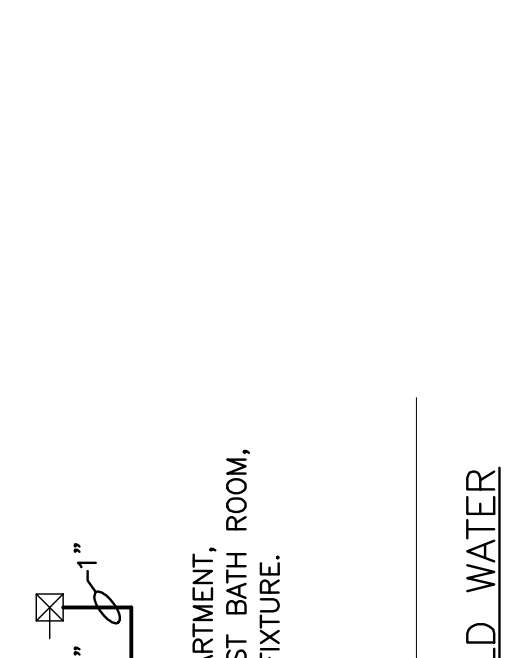
CEILING



CEILING



CEILING



|   |  |
|---|--|
| DESIGN/BUILD/MAINTAIN   |  |
| <b>THAYER CORPORATION</b><br>1400 Hotel Road<br>AUBURN, MAINE 04911<br>Tel. (207)782-4497 Fax (207)782-1064 |  |
| PROJECT:  | BAYSIDE VILLAGE<br>- A STUDENT<br>HOUSING COMPLEX<br>100 MARGINAL WAY<br>PORTLAND, MAINE |
| SHEET TITLE:  | <b>FOURTH FLOOR<br/>PLUMBING</b>   |
| SCALE:  | 1/8"=1'-0"   |
| PROJECT MANAGER:  | ADK  |
| JOB CHG/DRAWN:  | MAS  |
| E OF RECORD:  | DDT  |
| THAYER CAD FILE   |  |
| DATE:   | 08/15/2007   |
| SHEET No.   | <b>P4.2</b>  |

|      |             |          |
|------|-------------|----------|
| REV. | DESCRIPTION | DATE     |
| 0    | 100% CD     | 08-31-07 |