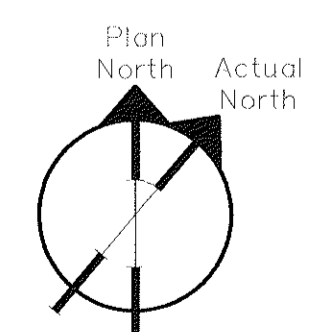
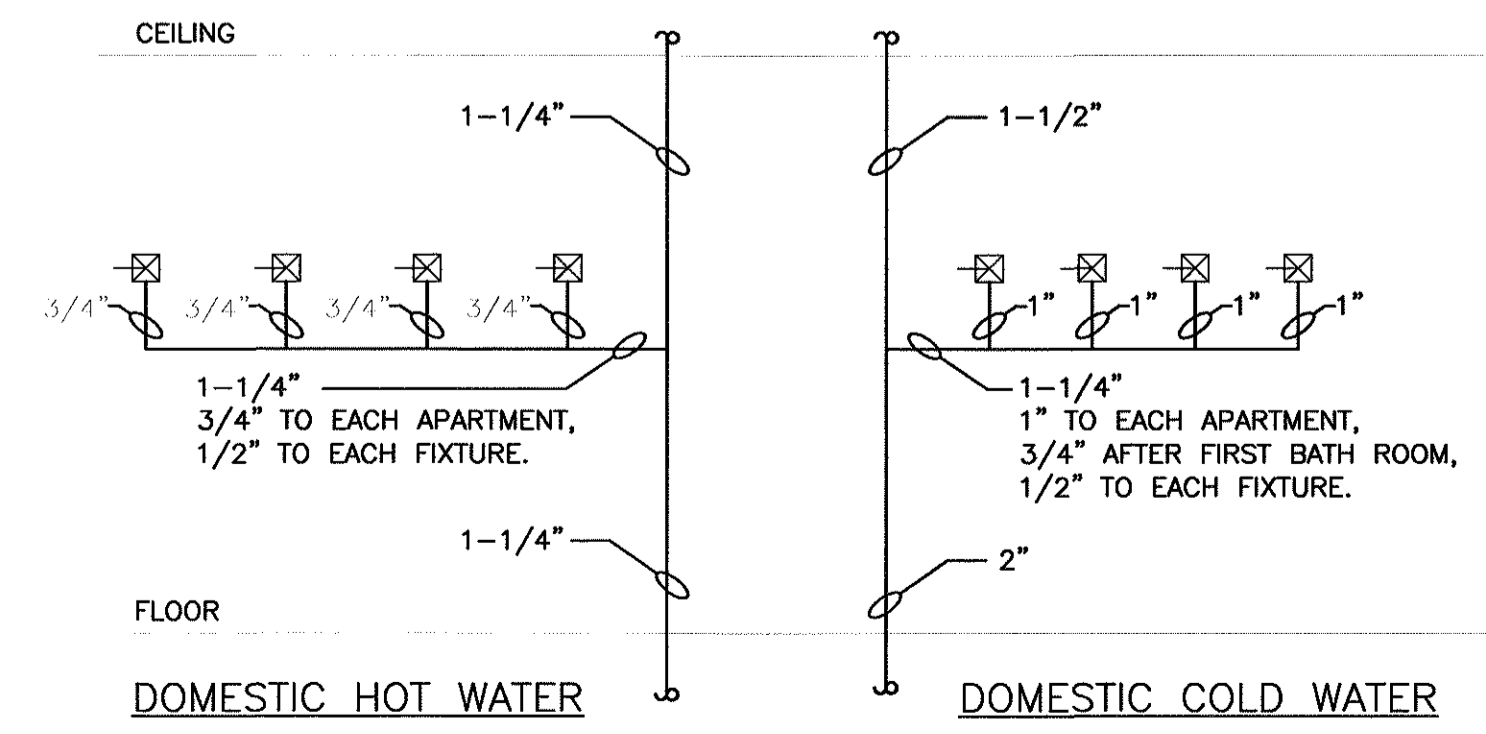
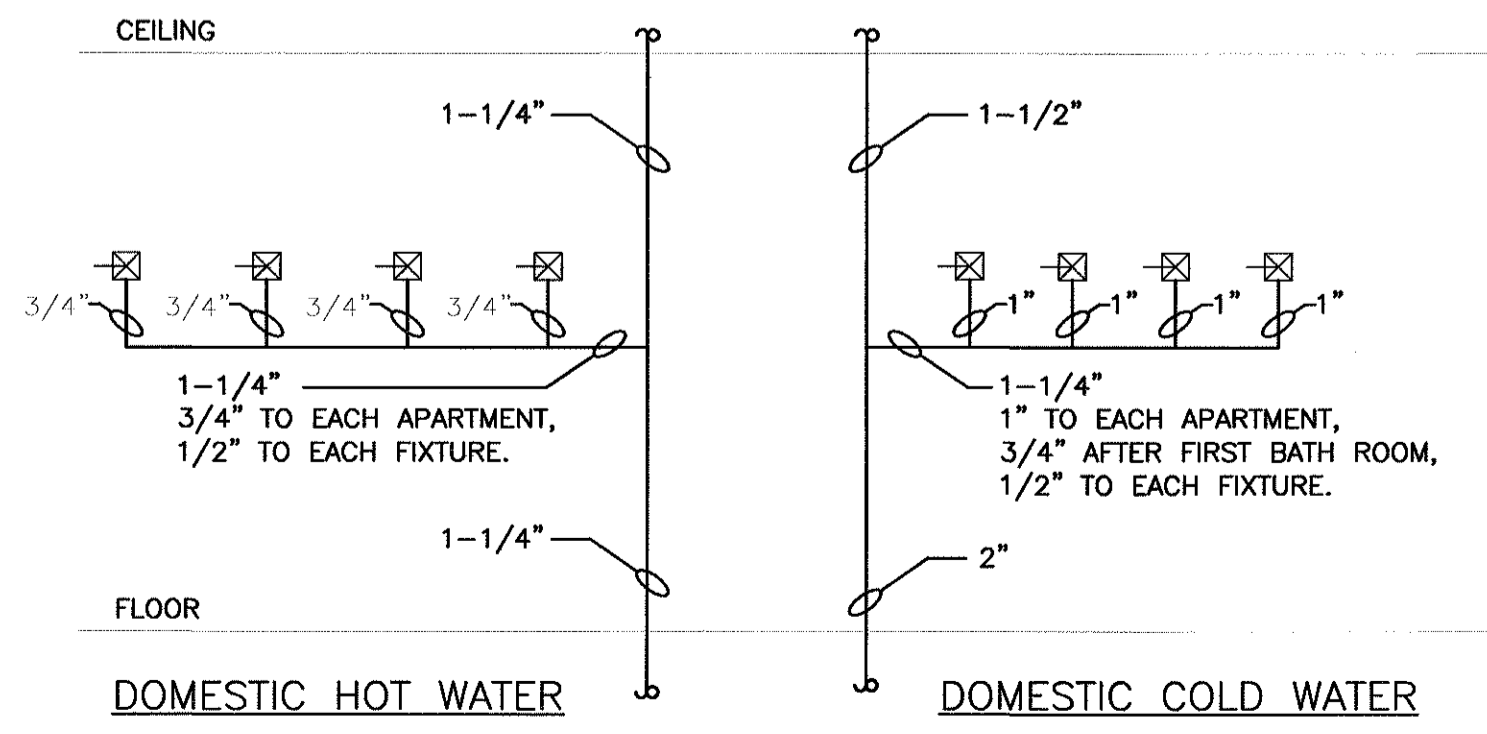
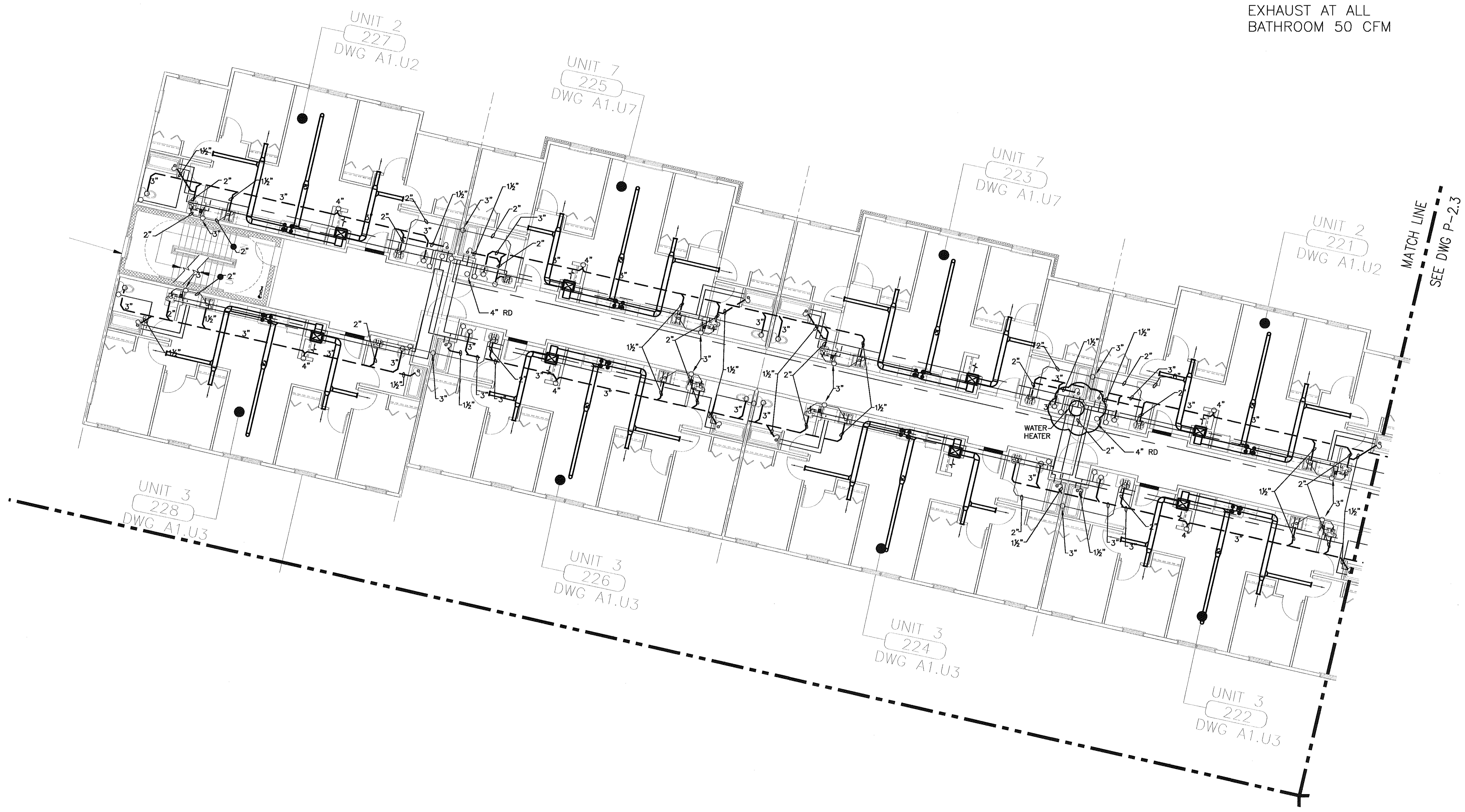
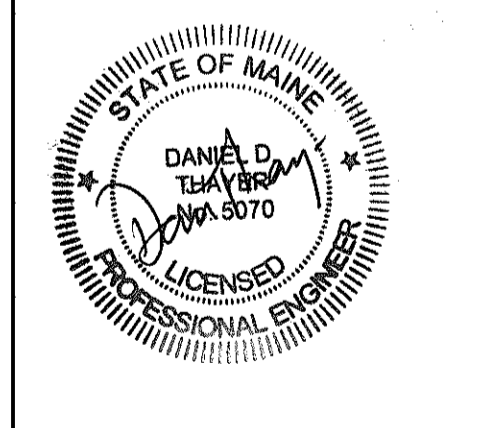


NOTE:  
EXHAUST AT ALL  
BATHROOM 50 CFM



REV.	DESCRIPTION	DATE
2	ISSUED FOR CONSTRUCTION	09-14-07
1	UPDATE WATER HEATER	09-10-07
0	100% CD	08-31-07



DESIGN/BUILD/MAINTAIN  
**THAYER CORPORATION**  
 1400 Hotel Road  
 AUBURN, MAINE 04211  
 Tel. (207)782-4197 Fax (207)782-1064

PROJECT: BAYSIDE VILLAGE  
 - A STUDENT HOUSING COMPLEX  
 120 MARGINAL WAY  
 PORTLAND, MAINE

SHEET TITLE: **SECOND FLOOR PLUMBING**

SCALE: 1/8"=1'-0"	DATE: 08/15/2007
PROJECT MANAGER: ADK	SHEET No. <b>P2.1</b>
JOB CAP/DRAWN: MAS	
E OF RECORD: DDT	
THAYER CAD FILE	