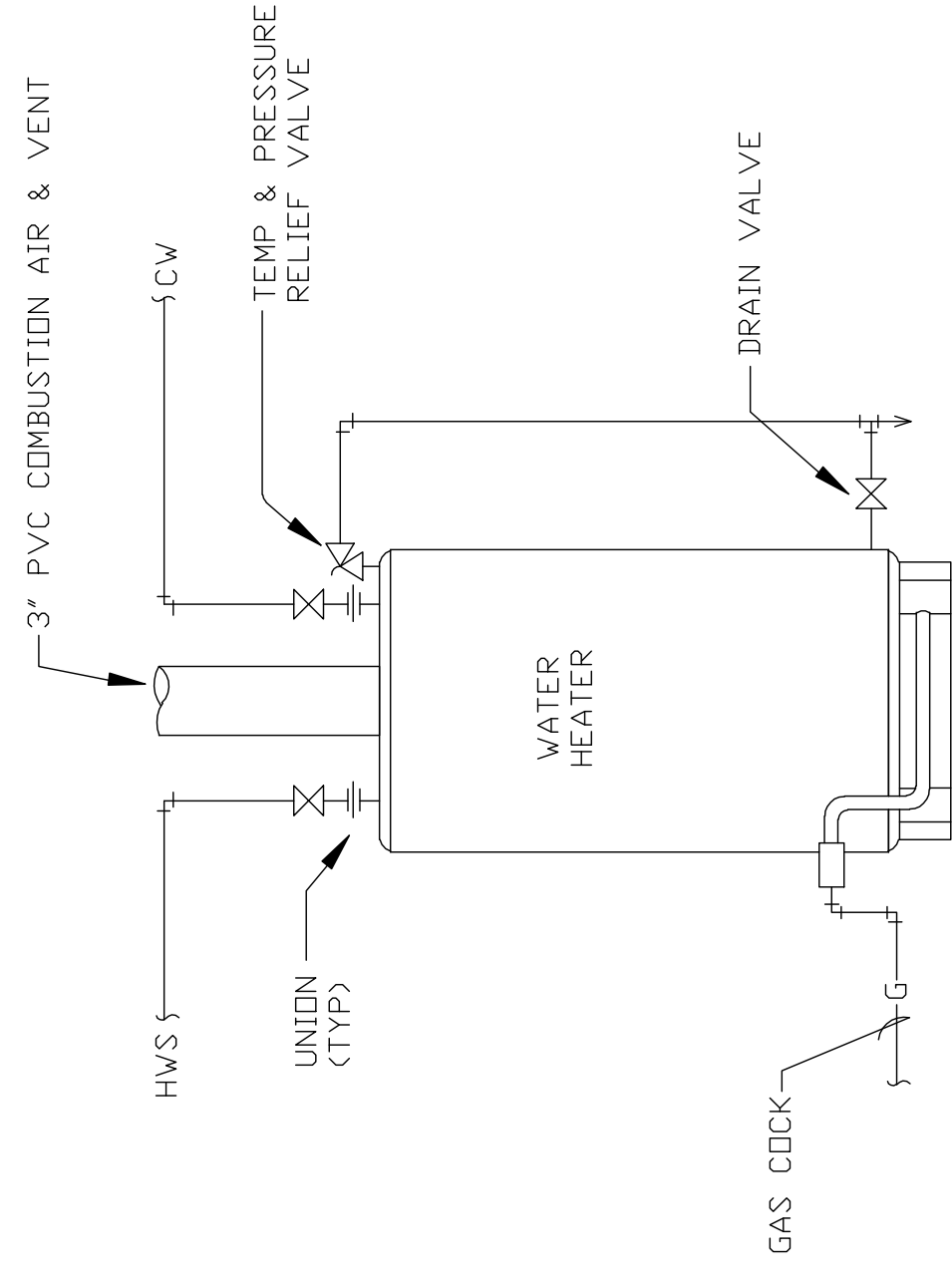
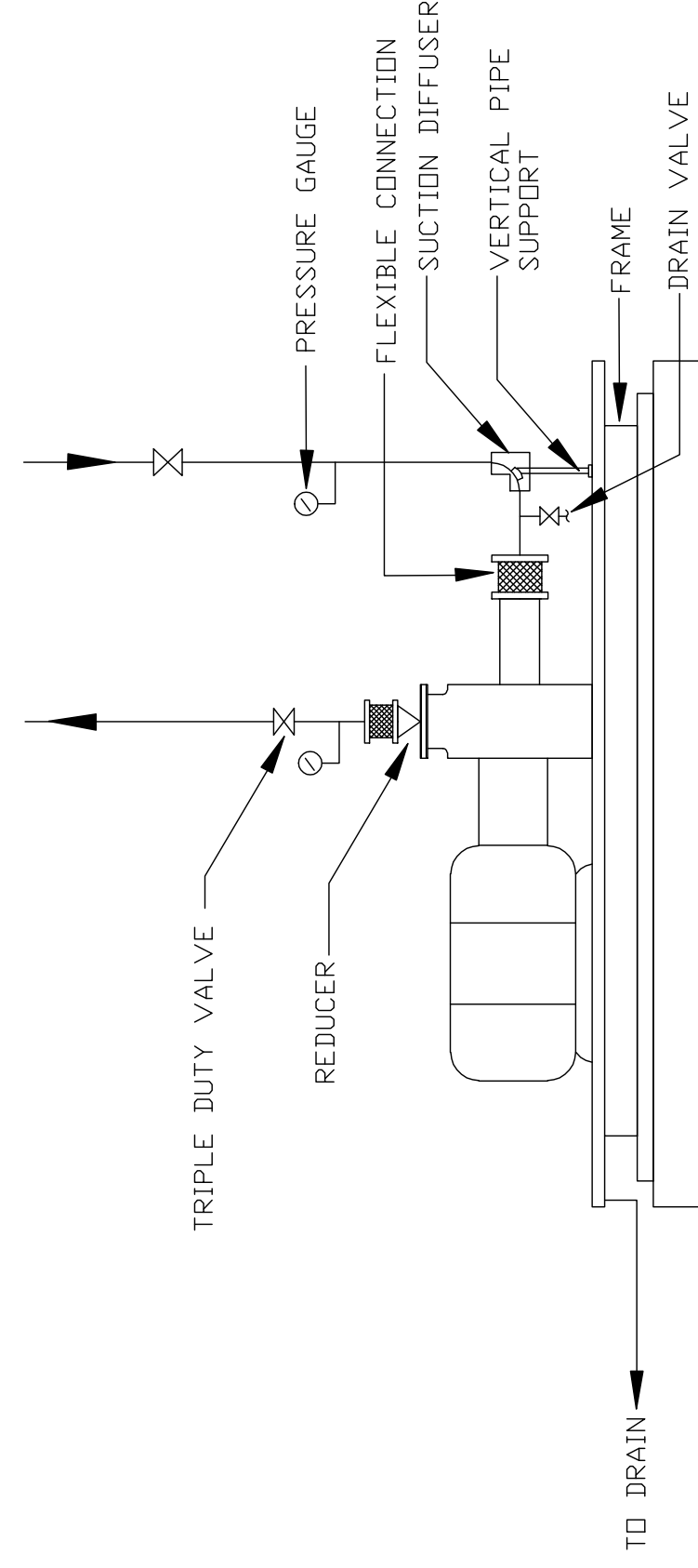


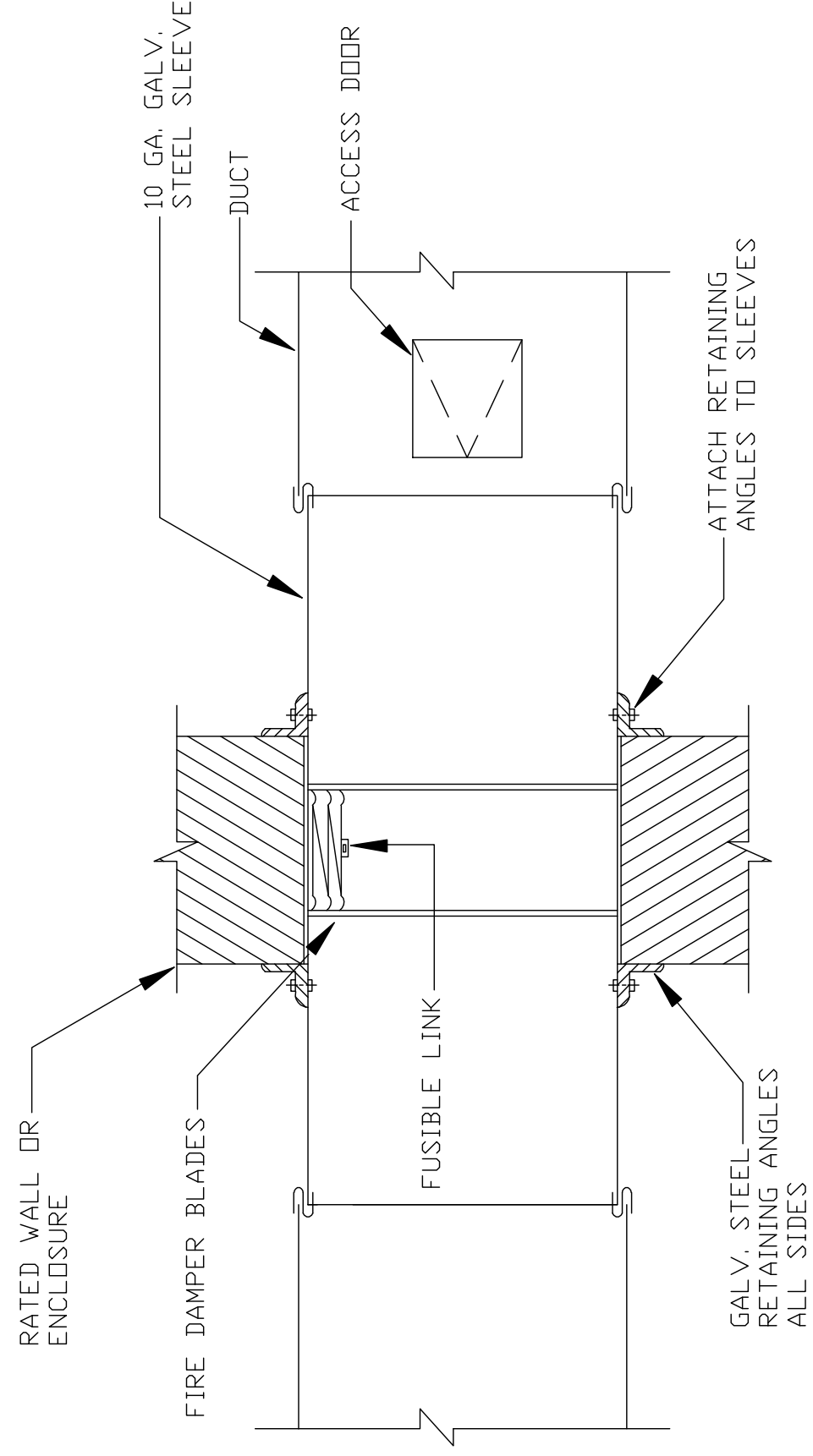
EXPANSION TANK



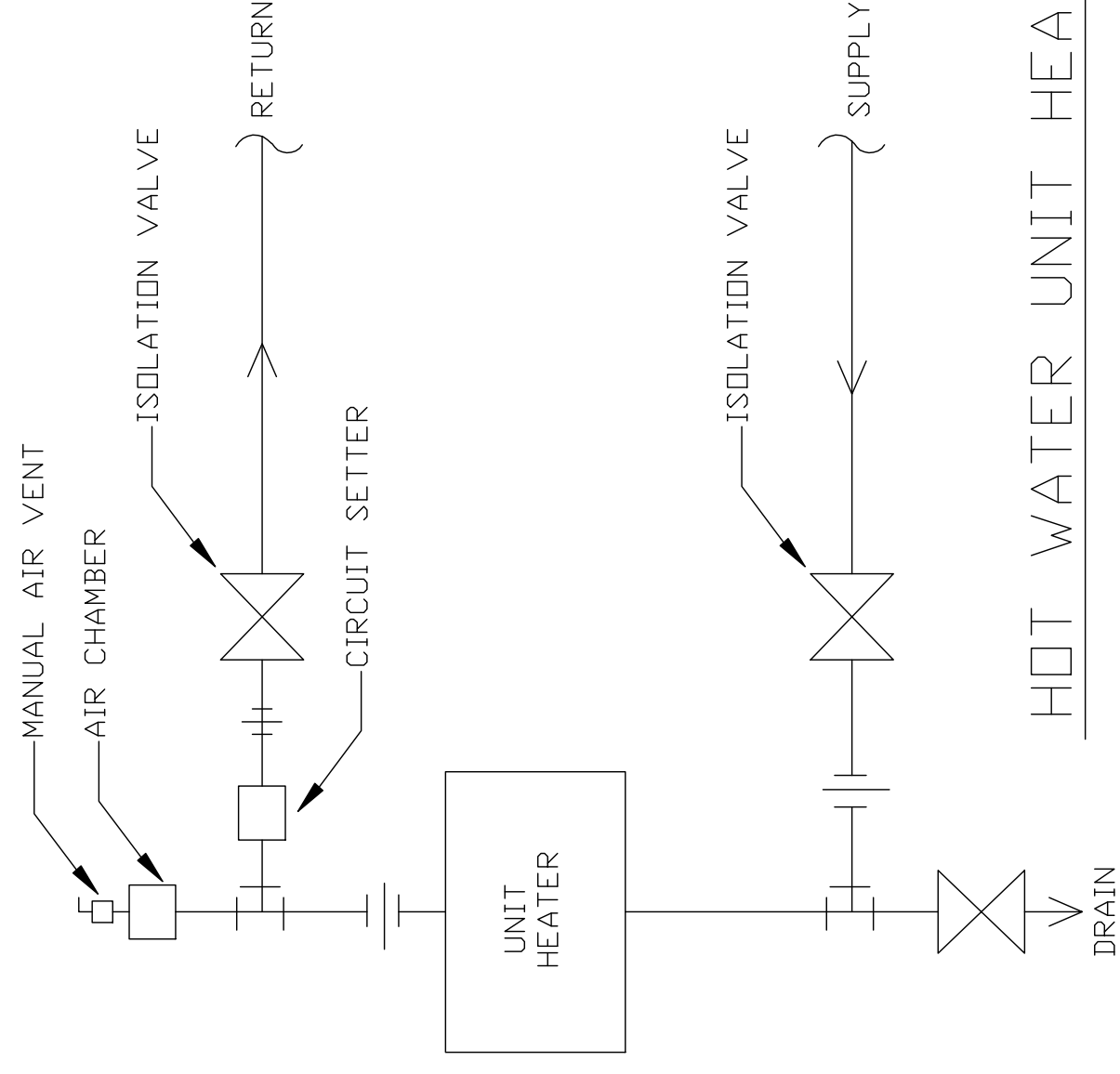
HOT WATER HEATER



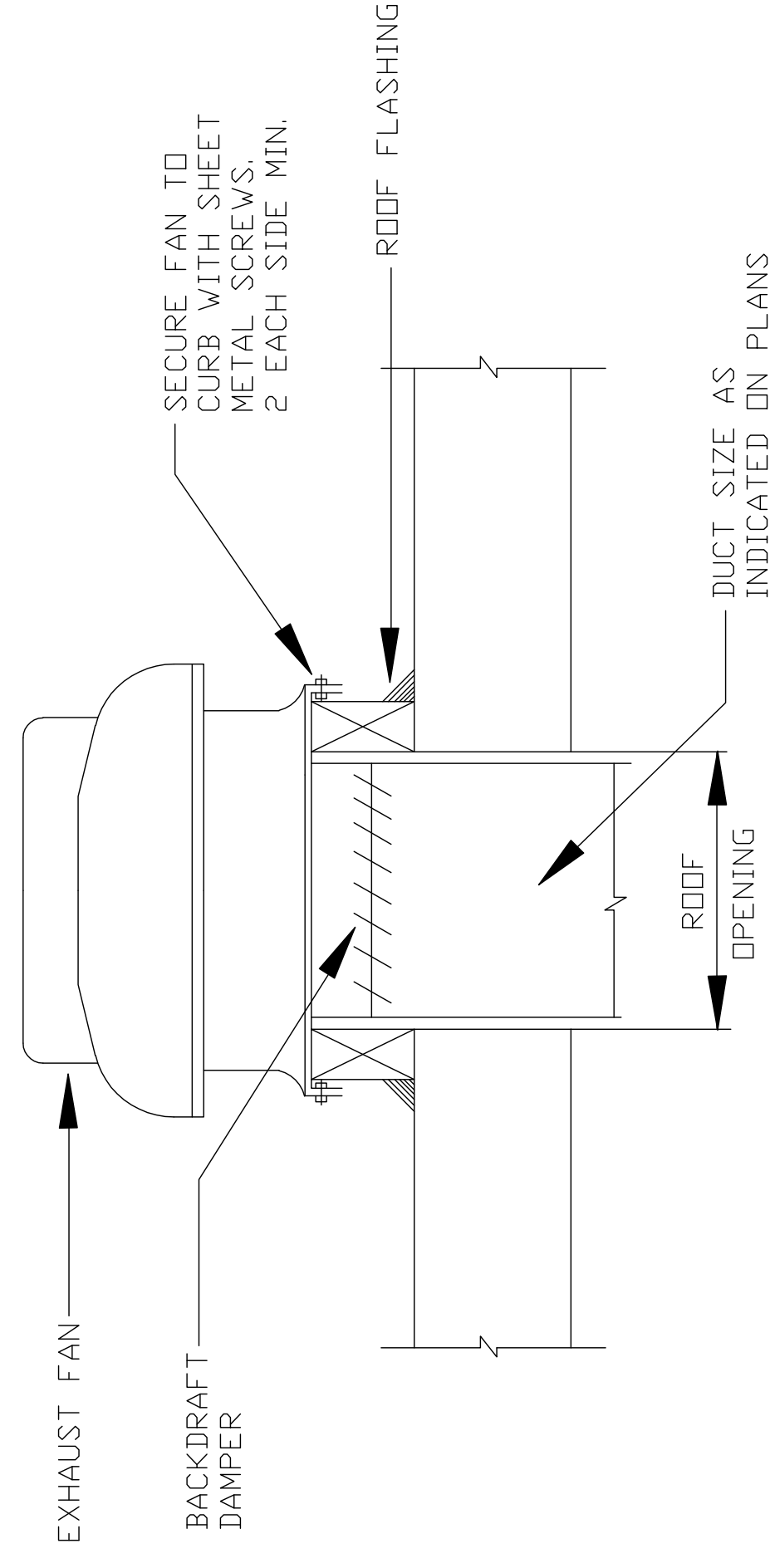
FRAME MOUNT PUMP PIPING



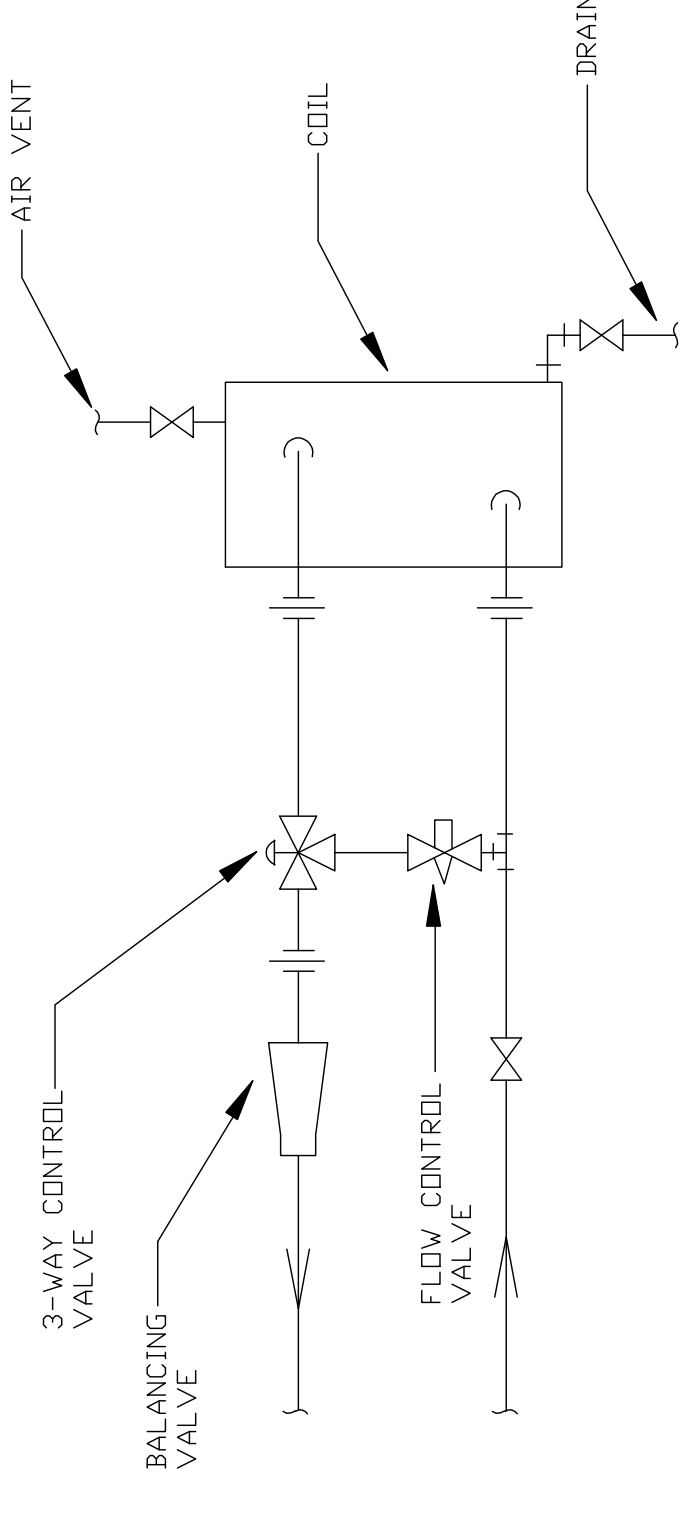
FIRE DAMPER DETAIL



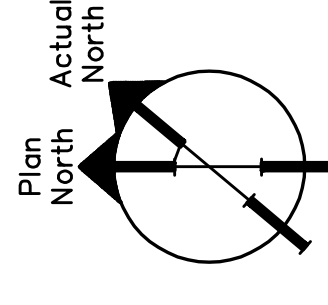
HOT WATER UNIT HEATER



ROOF FAN



FAN COIL PIPING DIAGRAM



REV.	DESCRIPTION	DATE
0	100% CD	08-31-07

DESIGN/BUILD/MAINTAIN



PROJECT: BAYSIDE VILLAGE
- A STUDENT HOUSING COMPLEX
100 MARGINAL WAY
PORTLAND, MAINE

SHEET TITLE: HVAC DETAILS

SCALE: 1/16"=1'-0" DATE: 08/15/2007

PROJECT MANAGER: ADK

JOB CHG/DRAWN: MAS

E OF RECORD: DDT

THAYER CAD FILE

SHEET No.

M8.6