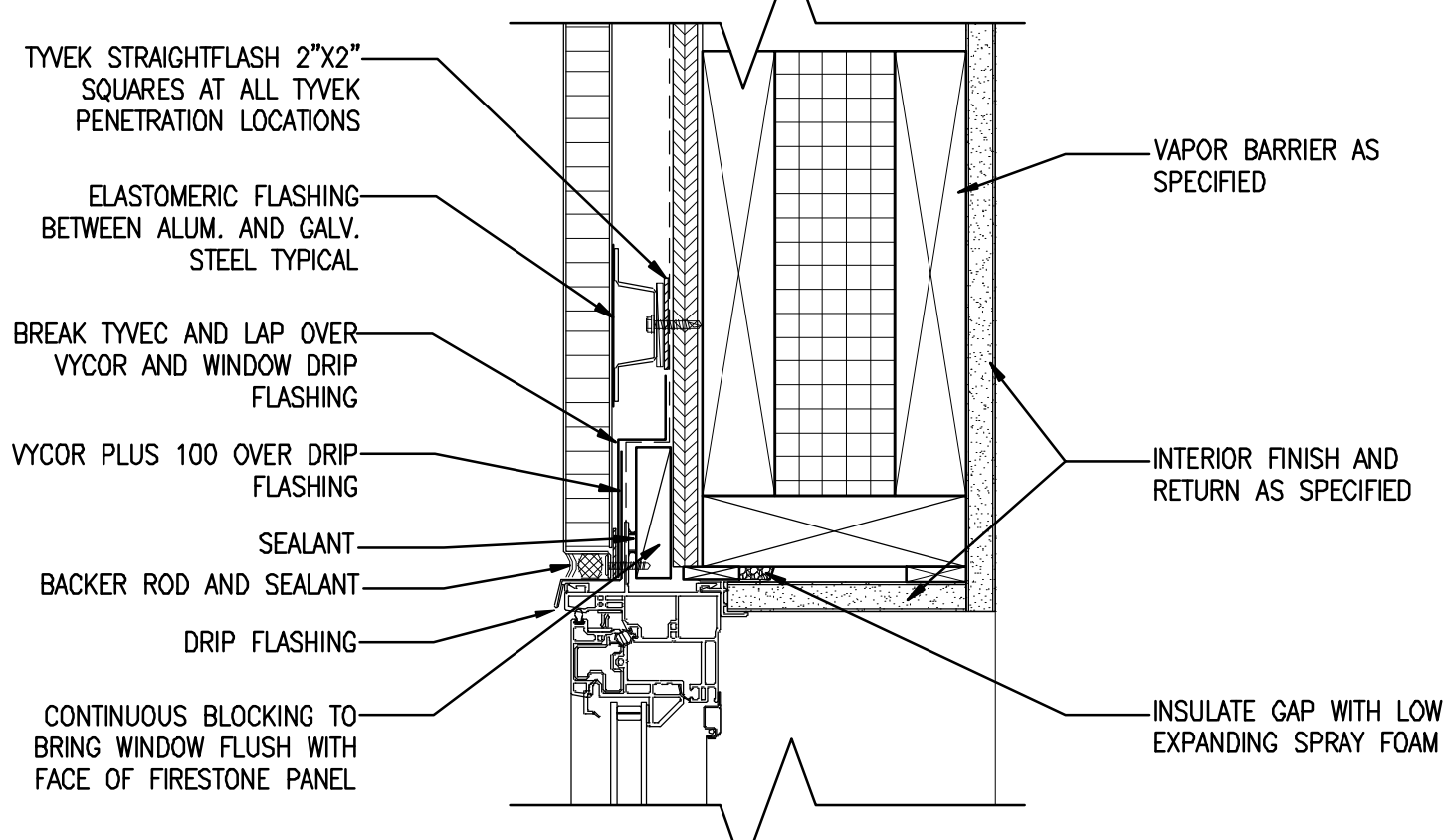
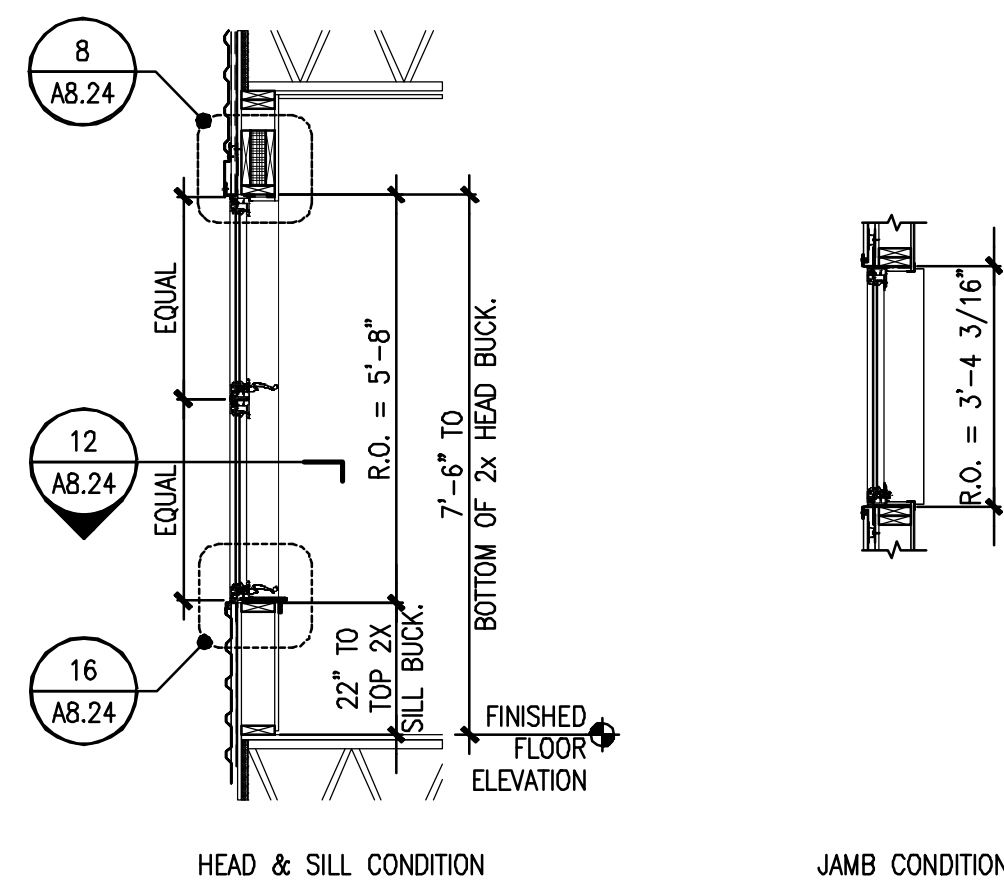
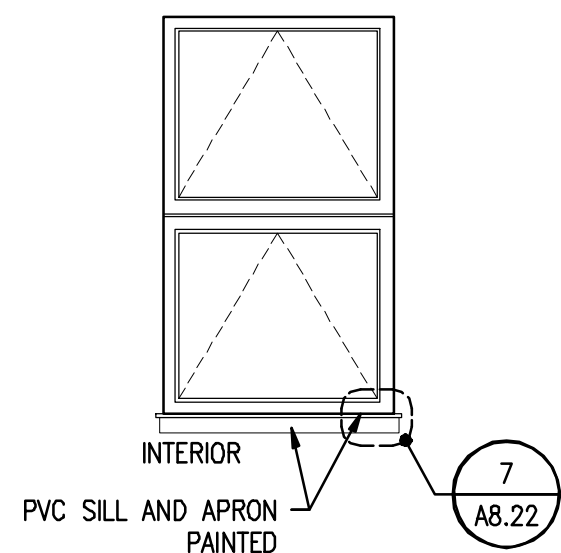


AWNING PAIR VINYL WINDOW ASSEMBLY AT METAL SIDING OPENINGS. EQUAL TO PARADIGM 8352 SERIES NEW CONSTRUCTION



1 ELEVATIONS & DETAILS @ WINDOW TYPE "J.T."

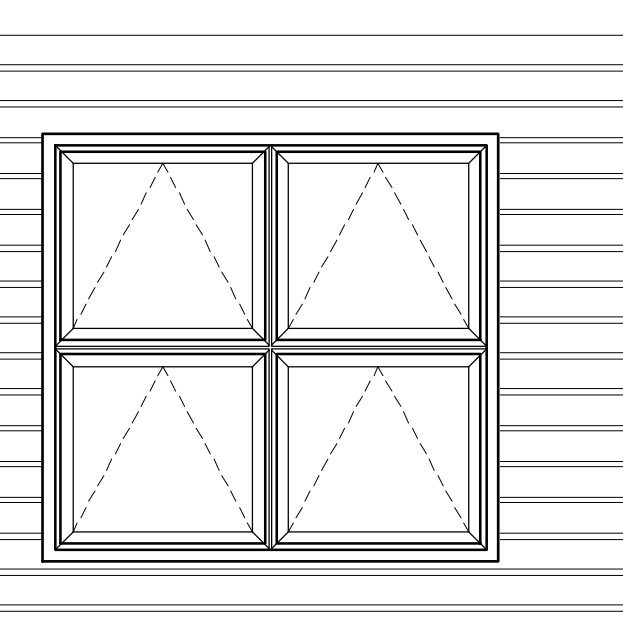
REFERENCED FROM:

SCALE: 3/8" = 1'-0"

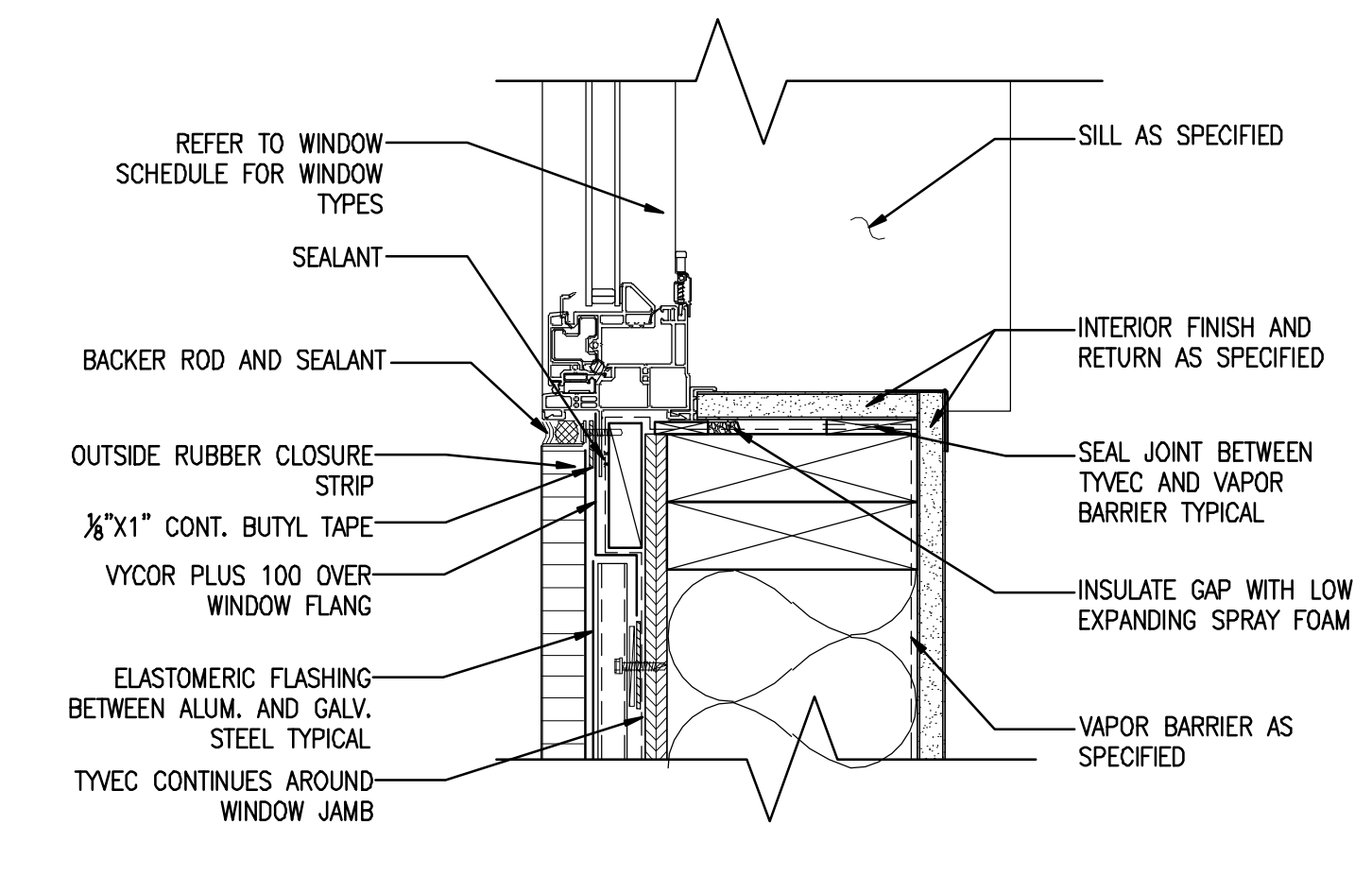
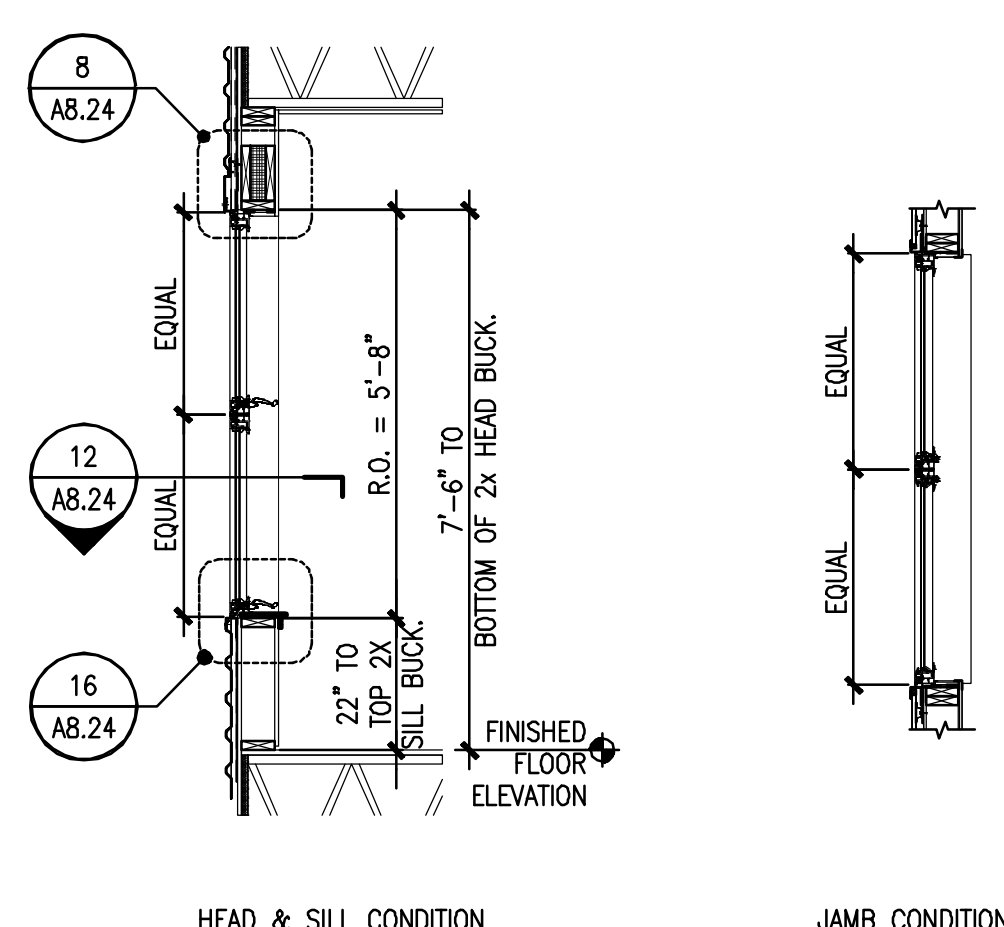
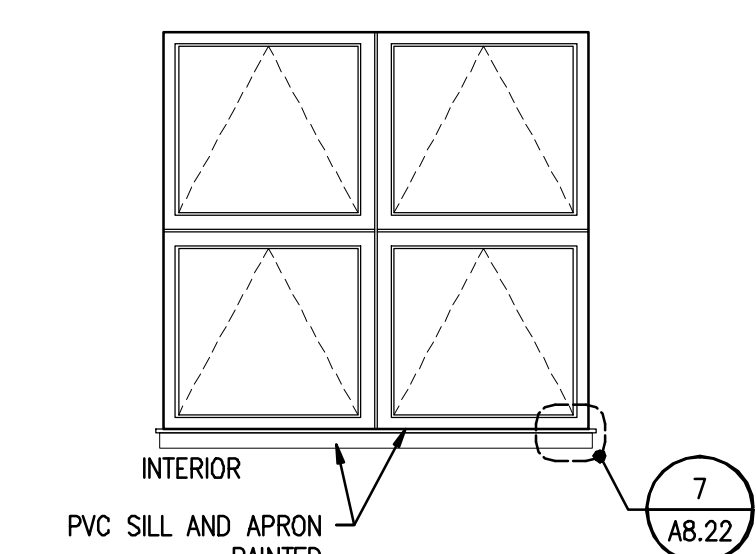
3 HEAD DETAIL

REFERENCED FROM:

SCALE: 3" = 1'-0"



2-AWNING PAIR VINYL WINDOW ASSEMBLY AT METAL SIDING OPENINGS. EQUAL TO PARADIGM 8352 SERIES NEW CONSTRUCTION



5 ELEVATIONS & DETAILS @ WINDOW TYPE "K.T."

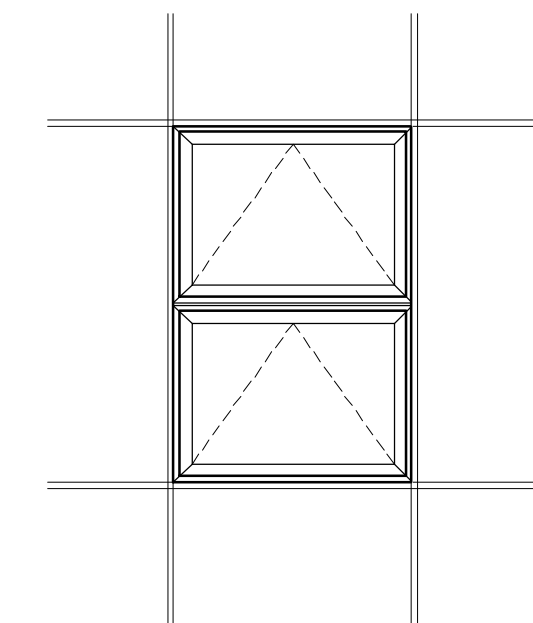
REFERENCED FROM:

SCALE: 3/8" = 1'-0"

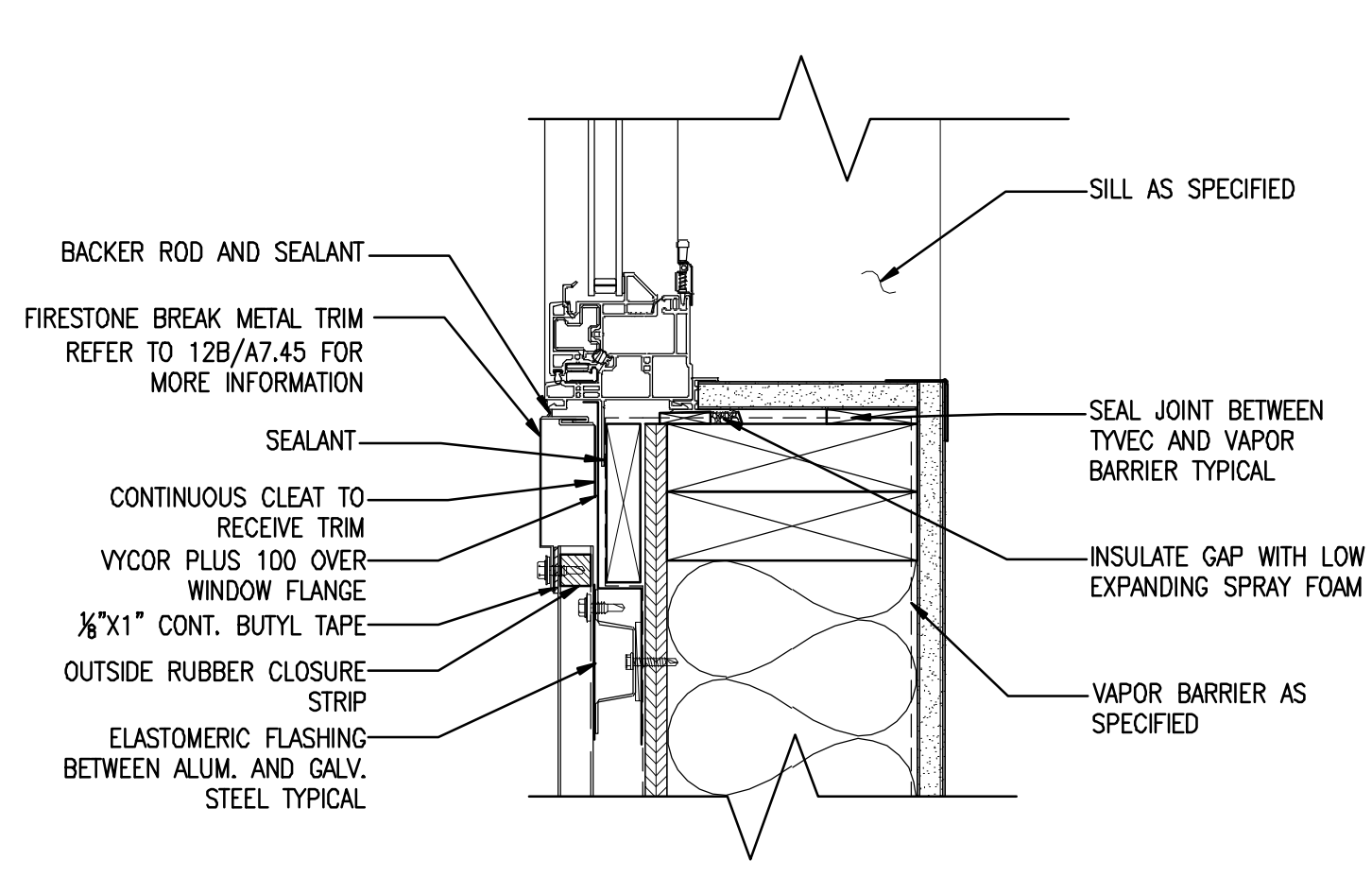
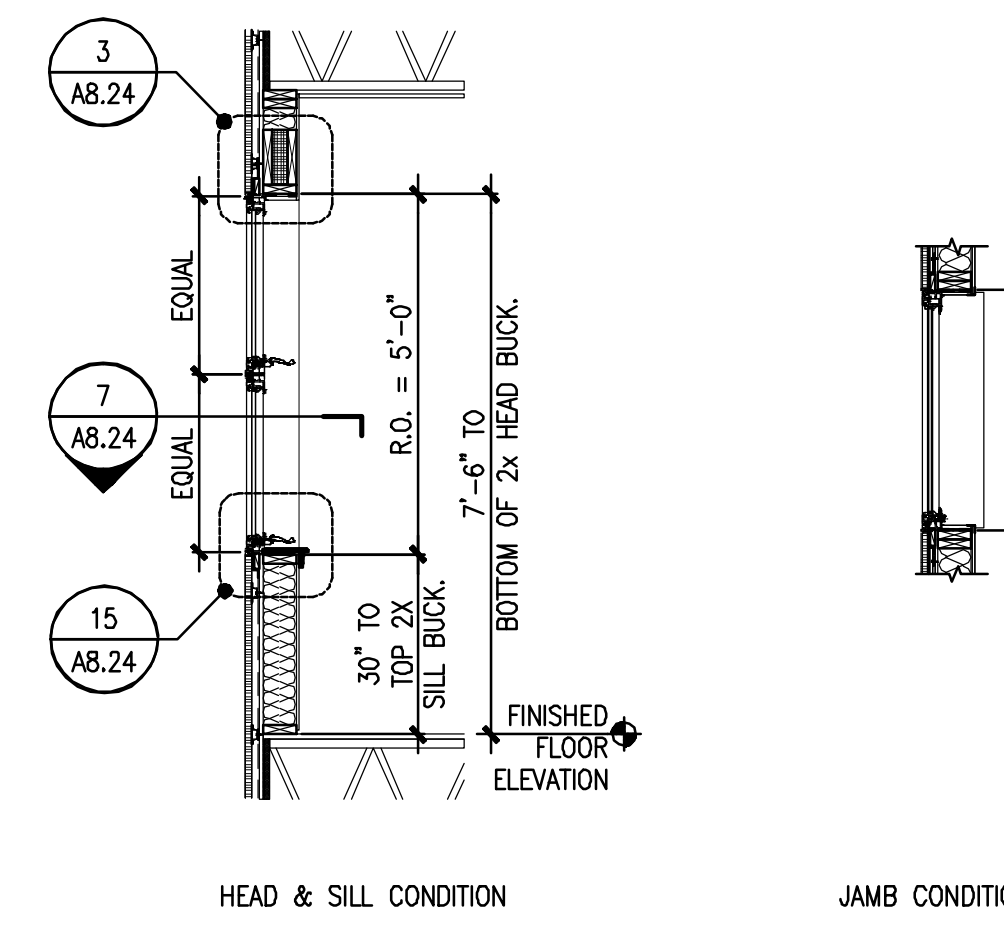
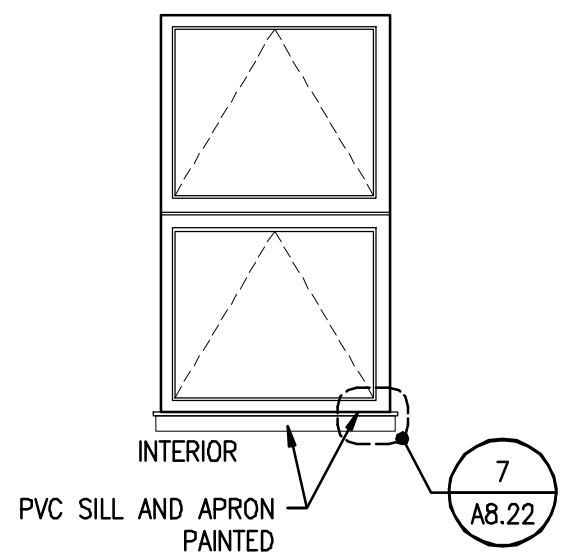
7 JAMB DETAIL

REFERENCED FROM:

SCALE: 3" = 1'-0"



AWNING PAIR VINYL WINDOW ASSEMBLY AT METAL SIDING OPENINGS. EQUAL TO PARADIGM 8352 SERIES NEW CONSTRUCTION



9 ELEVATIONS & DETAILS @ WINDOW TYPE "J.P."

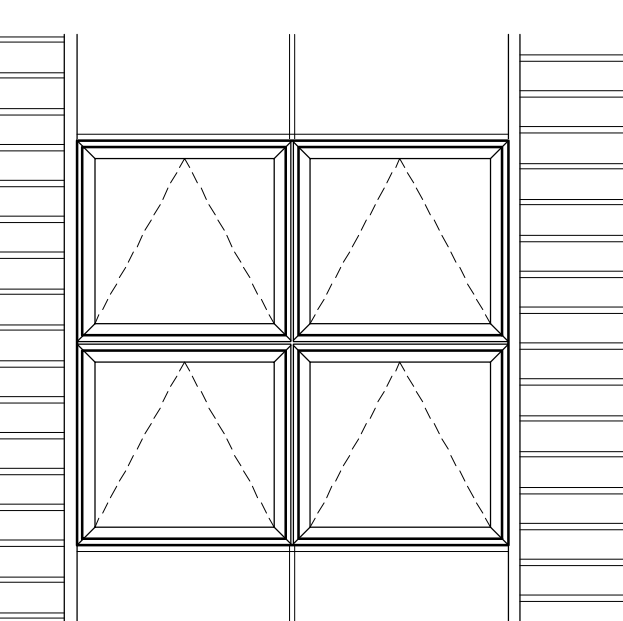
REFERENCED FROM:

SCALE: 3/8" = 1'-0"

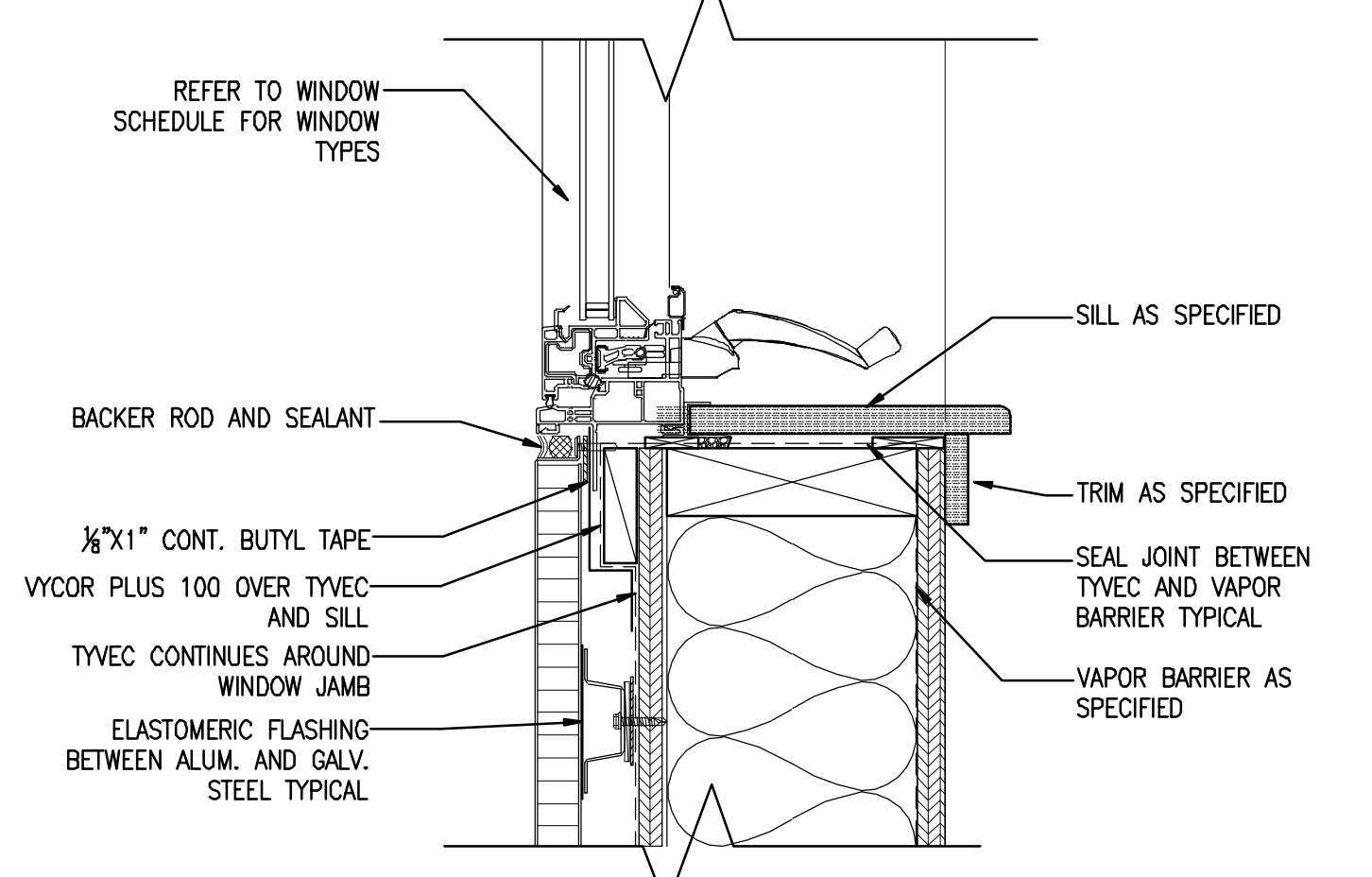
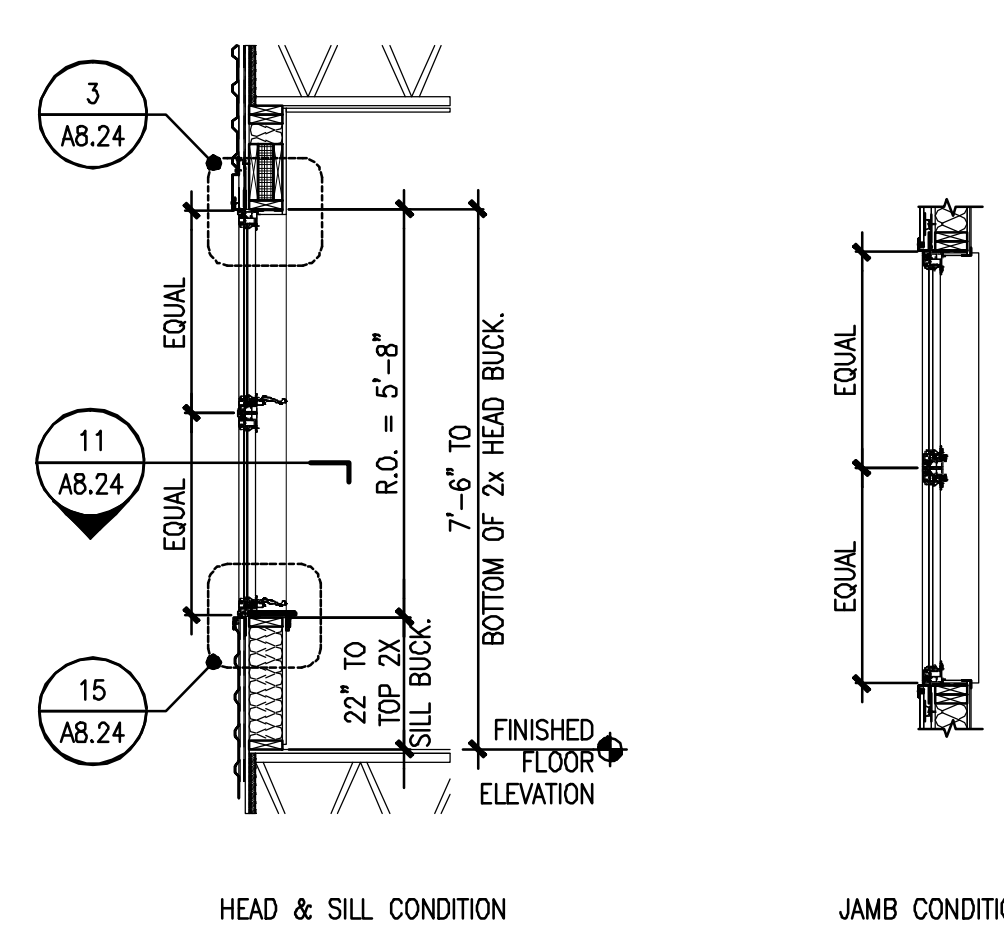
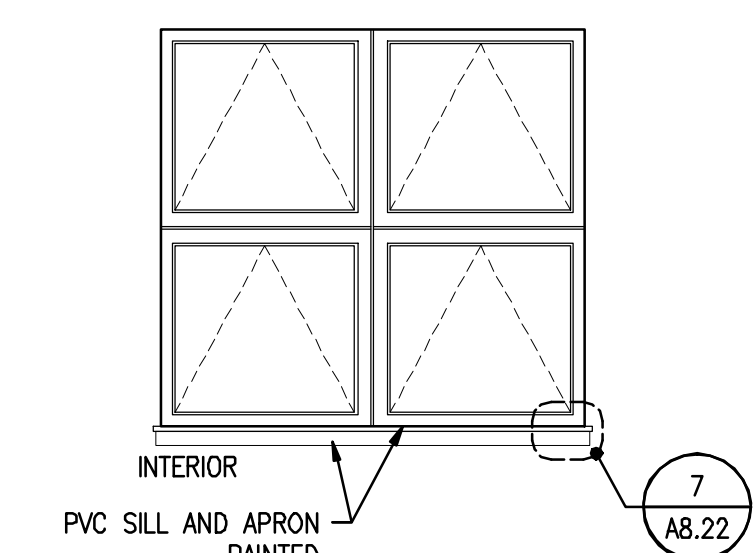
11 JAMB DETAIL

REFERENCED FROM:

SCALE: 3" = 1'-0"



2-AWNING PAIR VINYL WINDOW ASSEMBLY AT METAL SIDING OPENINGS. EQUAL TO PARADIGM 8352 SERIES NEW CONSTRUCTION



13 ELEVATIONS & DETAILS @ WINDOW TYPE "K.P."

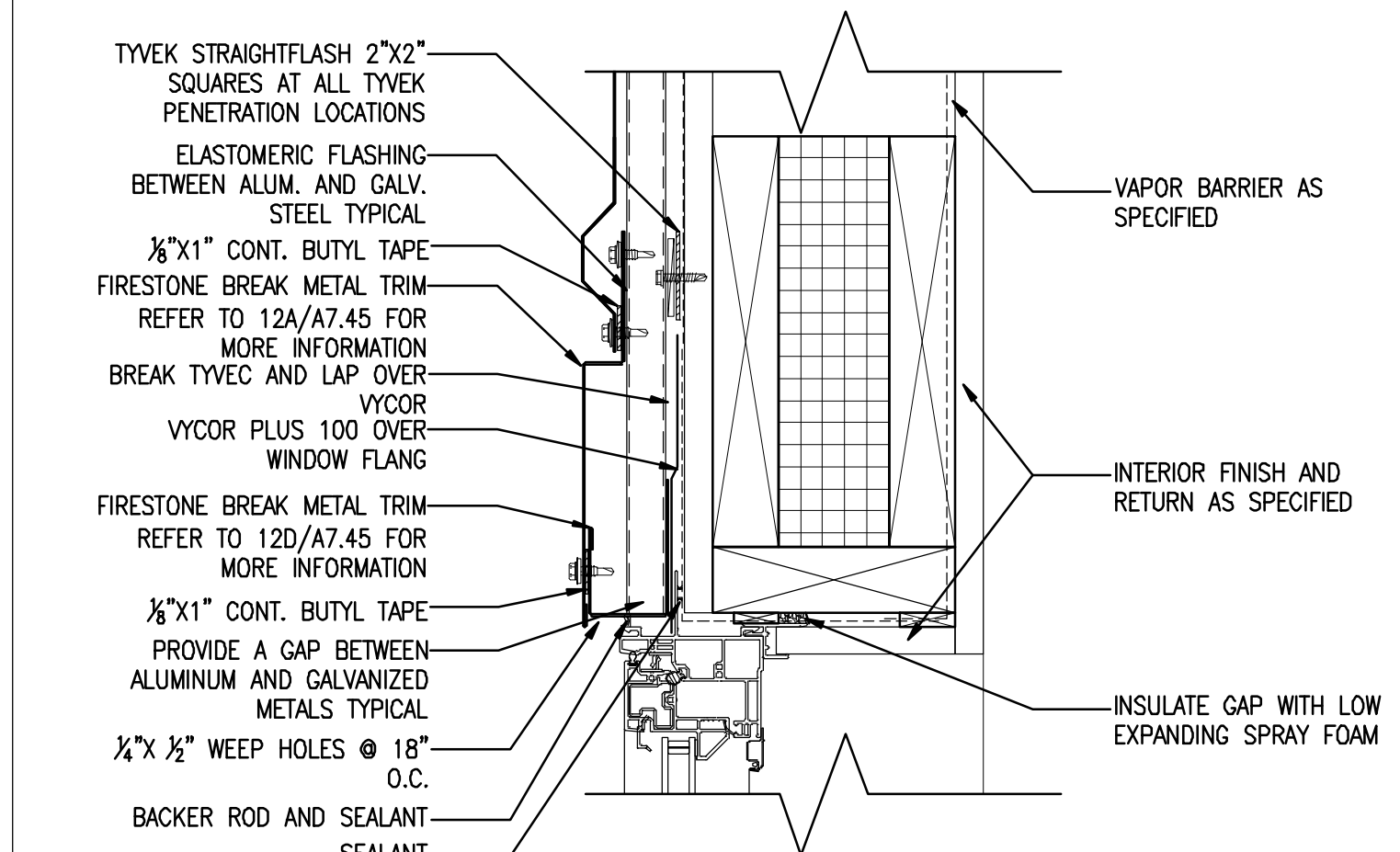
REFERENCED FROM:

SCALE: 3/8" = 1'-0"

15 SILL DETAIL

REFERENCED FROM:

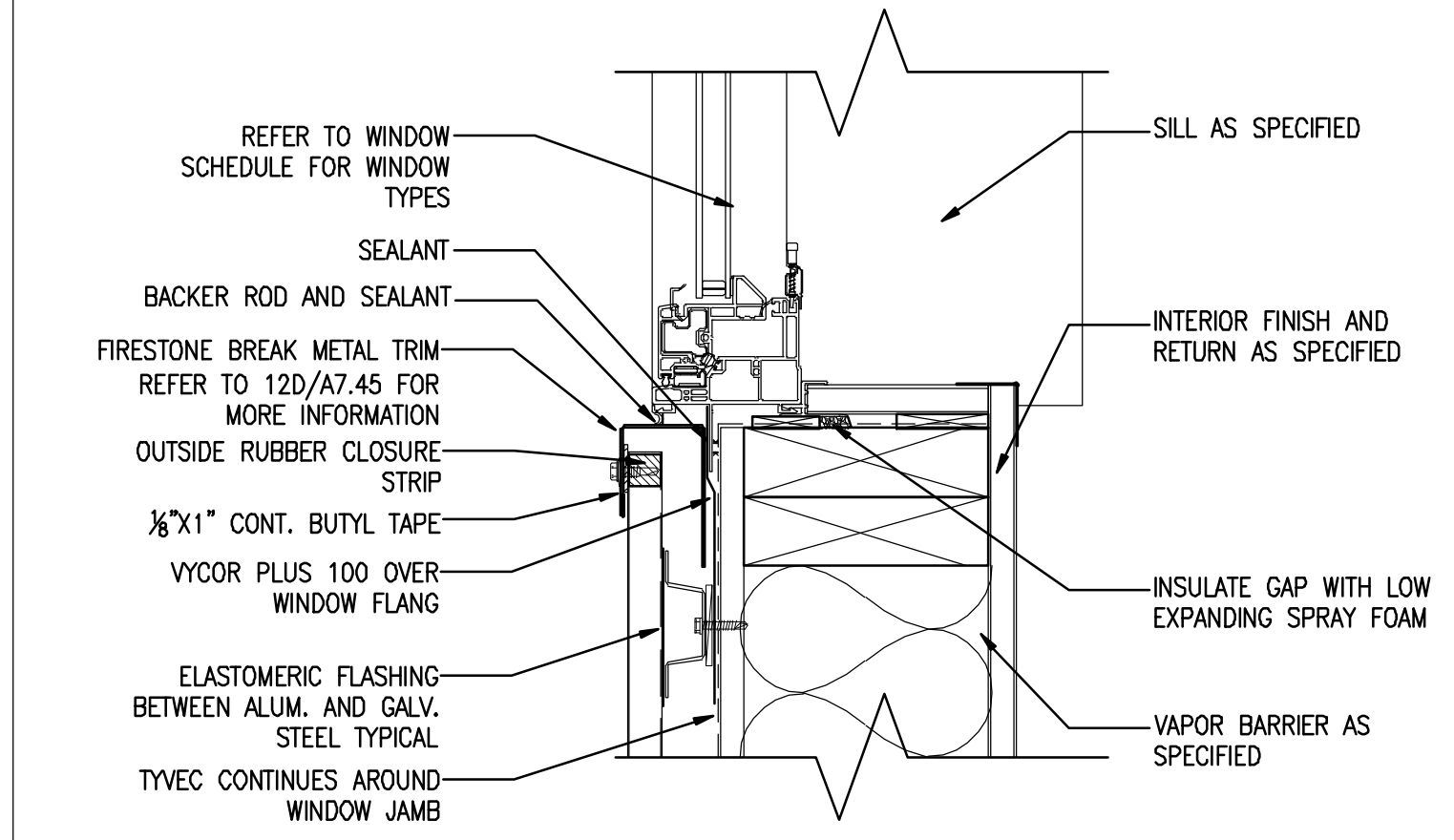
SCALE: 3" = 1'-0"



8 HEAD DETAIL

REFERENCED FROM:

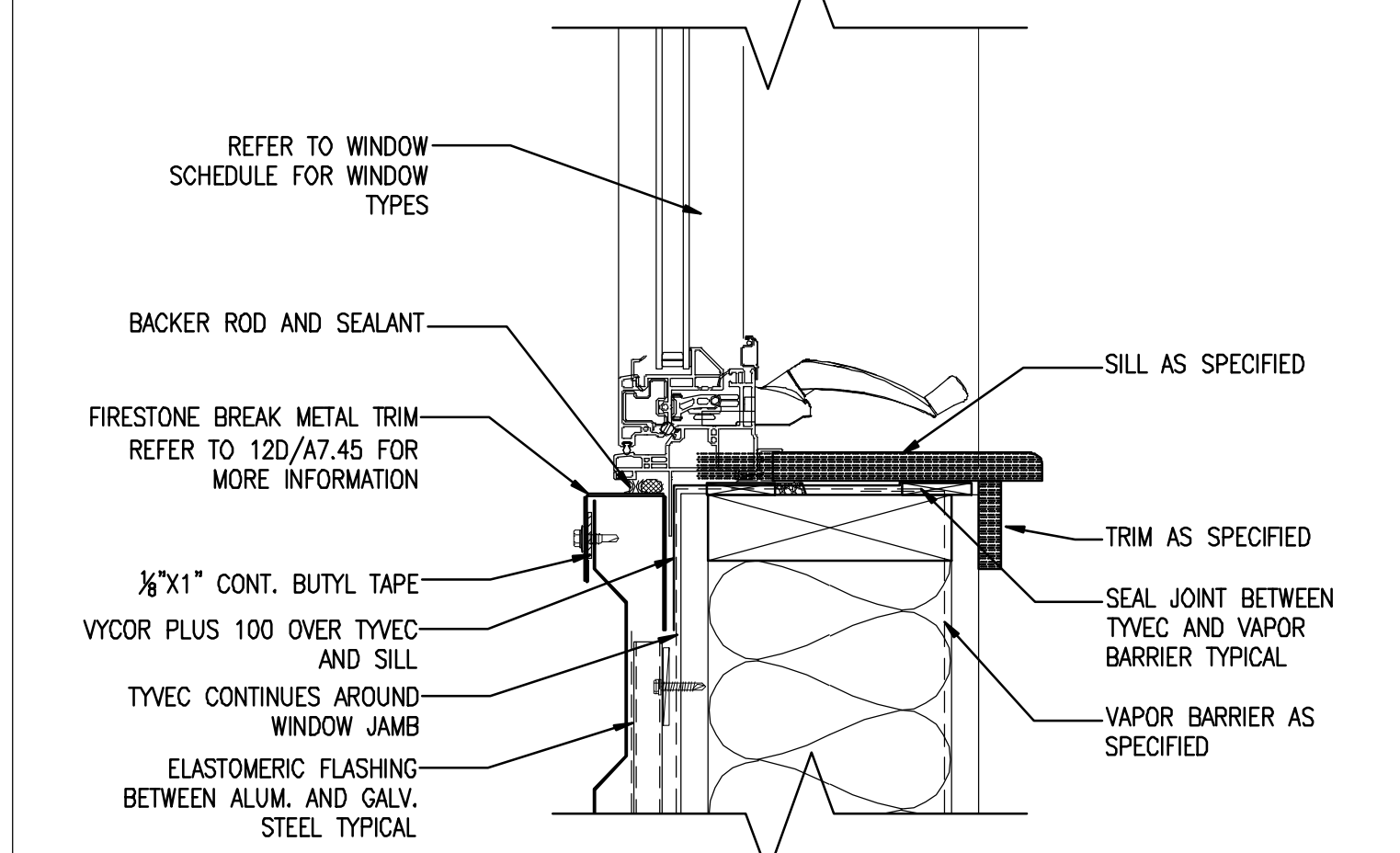
SCALE: 3" = 1'-0"



12 JAMB DETAIL

REFERENCED FROM:

SCALE: 3" = 1'-0"

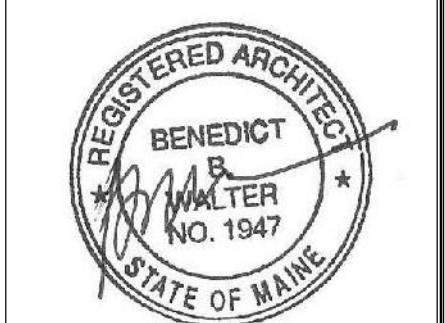


16 SILL DETAIL

REFERENCED FROM:

SCALE: 3" = 1'-0"

CWS Architects
 Architecture
 Space Planning
 Value Design
 434 Cumberland Avenue
 Portland, ME 04101
 Phone: (207) 774-4441
 Fax: (207) 774-4016
 www.CWSArch.com



Owner: **SOUTHERN MAINE STUDENT HOUSING LLC**
 247 COMMERCIAL STREET
 ROCKPORT, MAINE 04856
 TEL: (207) 236-4067

Contractor: **PIZZAGALLI CONSTRUCTION**
 131 PRESUMPSCOT STREET
 PORTLAND, ME 04103
 TEL: (207) 874-2323
 FAX: (207) 874-2727

BAYSIDE VILLAGE - A STUDENT HOUSING COMPLEX
 132 MARGINAL WAY
 PORTLAND, MAINE

Project No: 2006-432/BVP

Drawing Title: **WINDOW ELEVATIONS & MISC DETAILS**

Scale: AS NOTED
 Date: SEPTEMBER 14, 2007

- Revisions:
- △
 - △
 - △
 - △
 - △

Drawing Number: **A8.24**