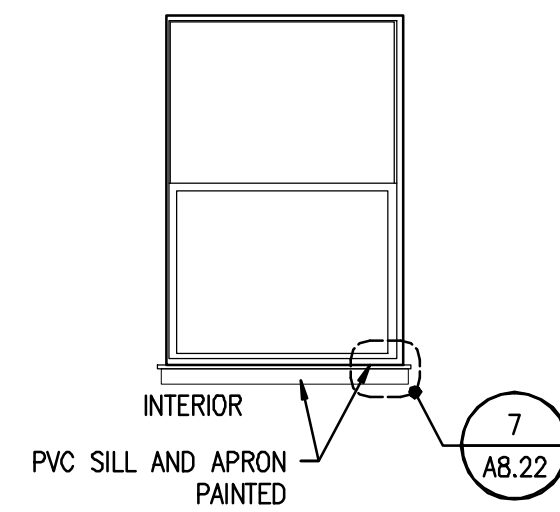
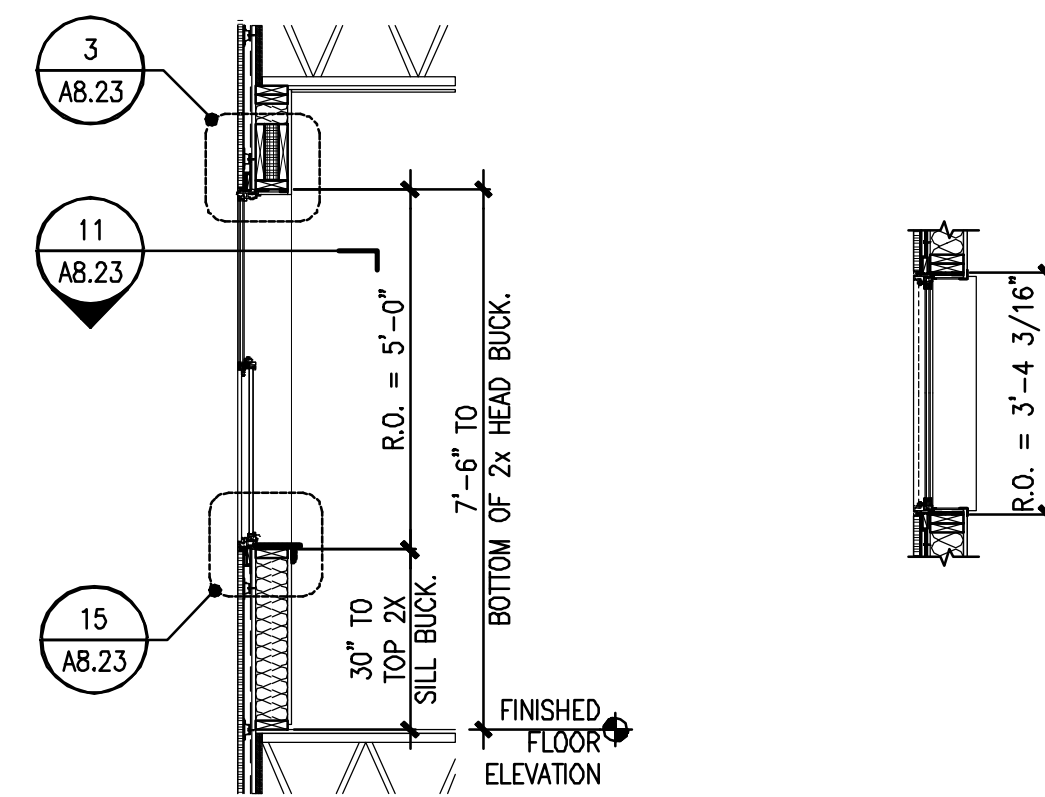


SINGLE-HUNG VINYL WINDOW ASSEMBLY AT METAL PANEL OPENINGS, EQUAL TO PARADIGM 8381 SERIES NEW CONSTRUCTION

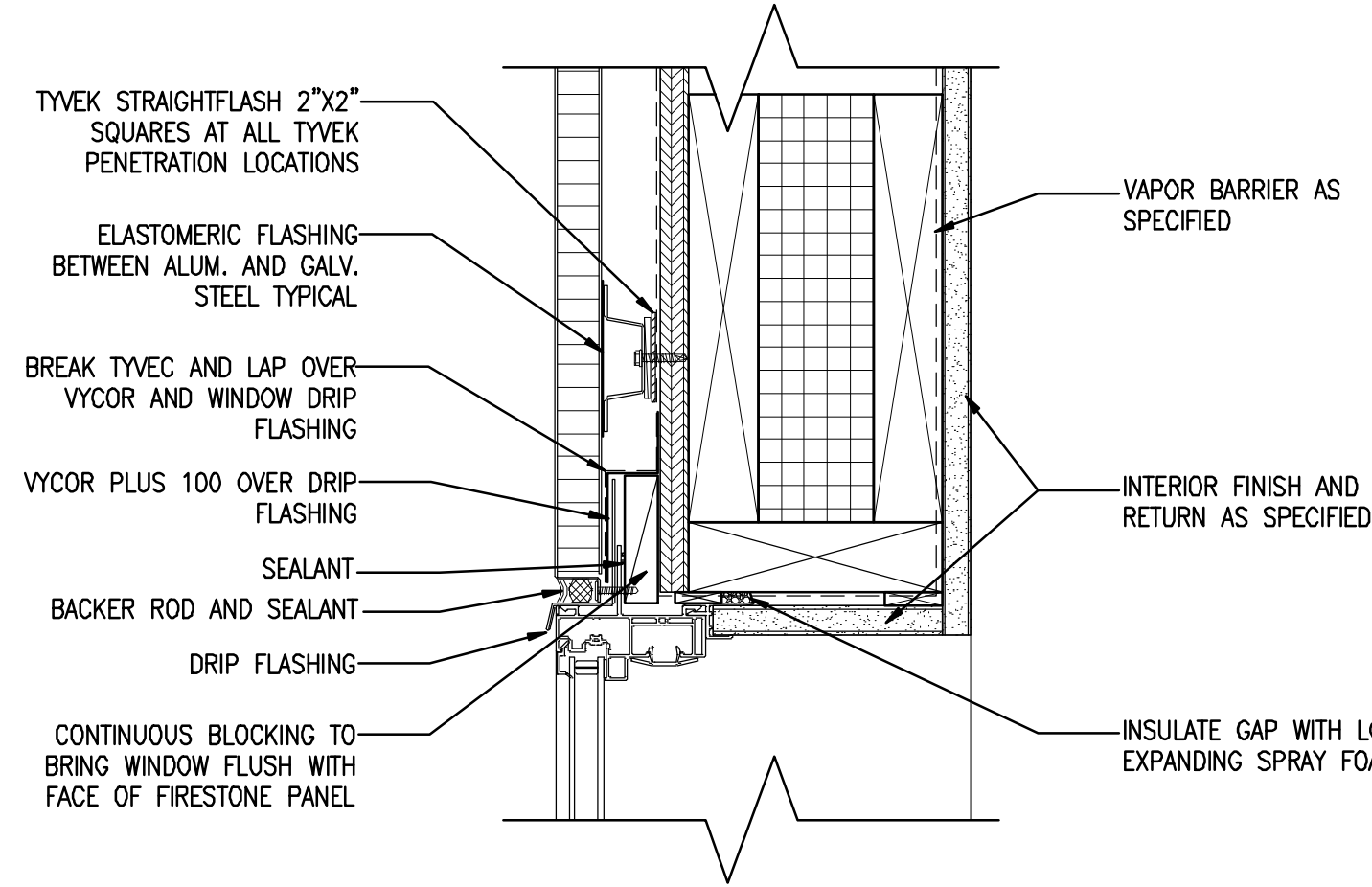


INTERIOR PVC SILL AND APRON PAINTED



HEAD & SILL CONDITION

JAMB CONDITION



3 HEAD DETAIL

REFERENCED FROM:

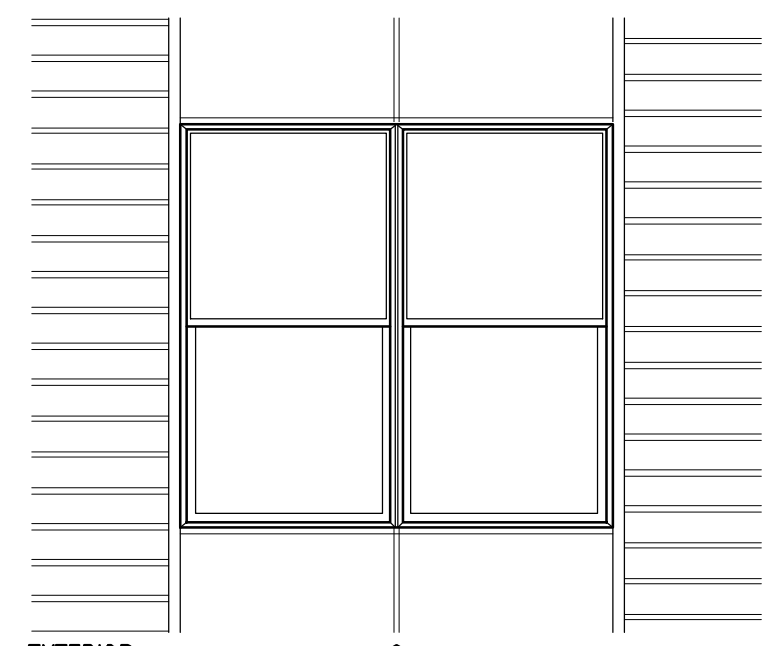
SCALE: 3" = 1'-0"

SCALE: 3/8" = 1'-0"

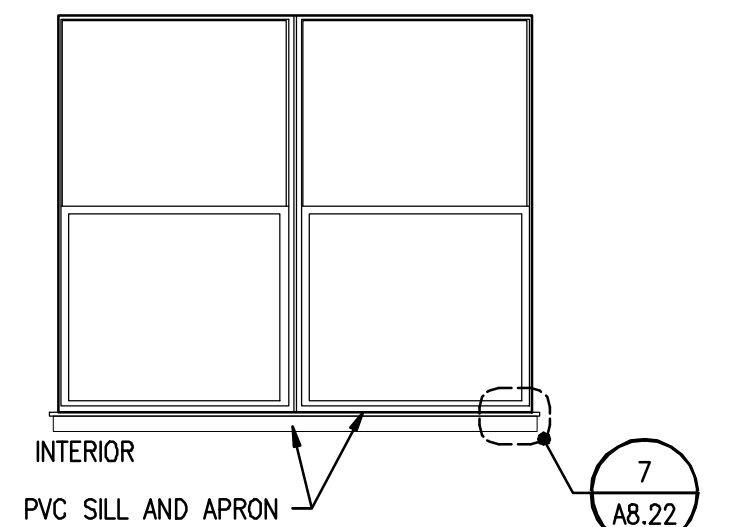
1 ELEVATIONS & DETAILS @ WINDOW TYPE "A.P."

REFERENCED FROM:

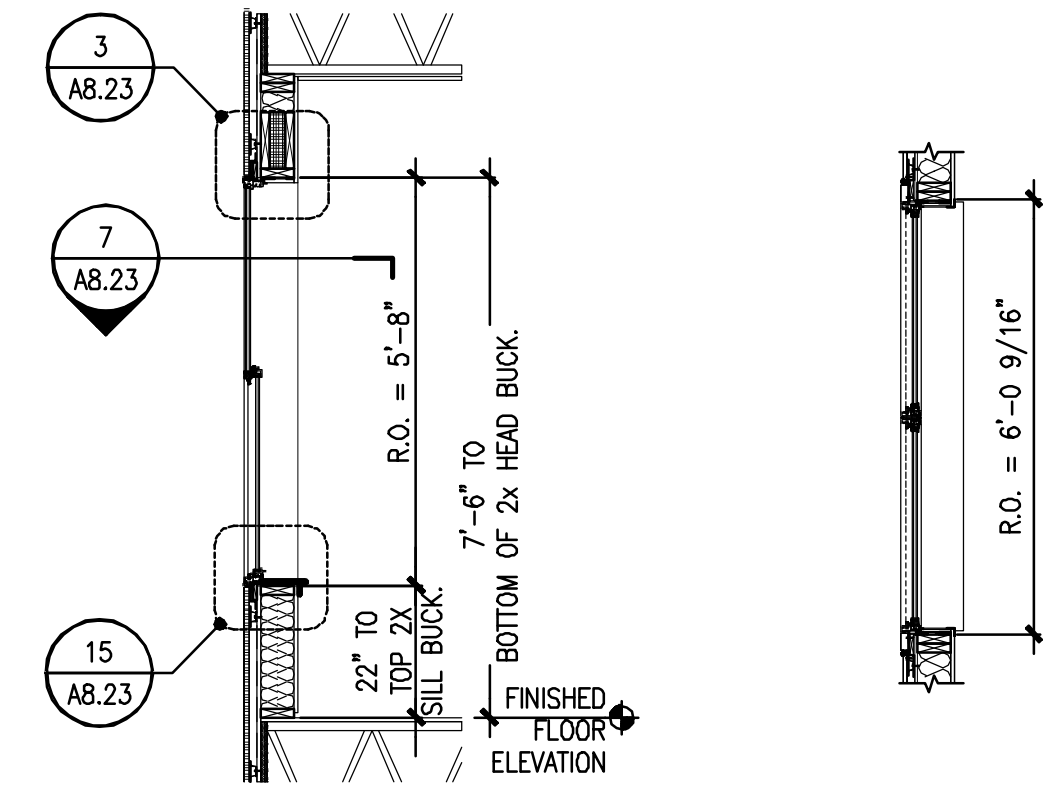
SCALE: 3/8" = 1'-0"



SINGLE-HUNG PAIR VINYL WINDOW ASSEMBLY AT METAL PANEL OPENINGS, EQUAL TO PARADIGM 8381 SERIES NEW CONSTRUCTION

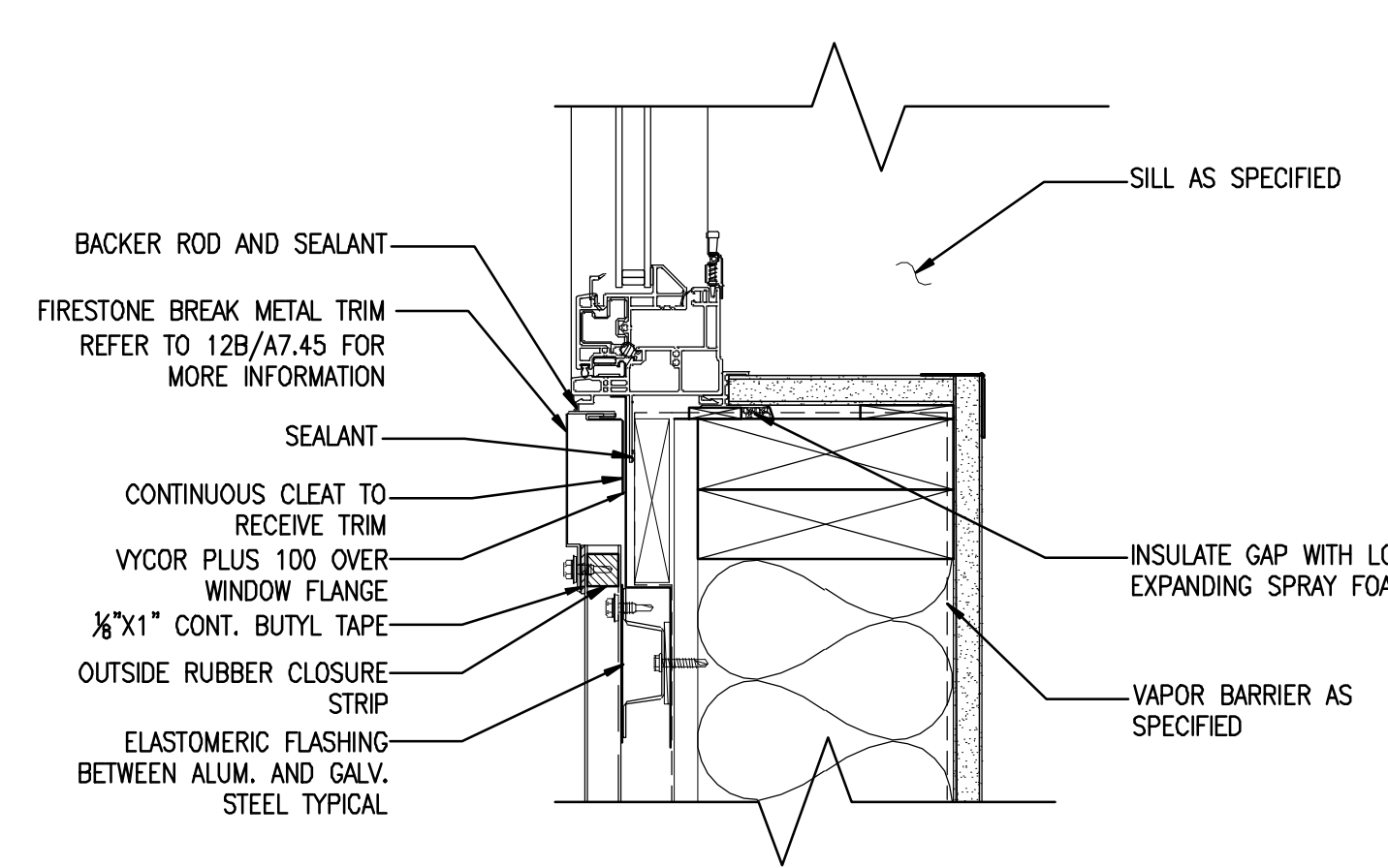


INTERIOR PVC SILL AND APRON PAINTED



HEAD & SILL CONDITION

JAMB CONDITION



7 JAMB DETAIL

REFERENCED FROM:

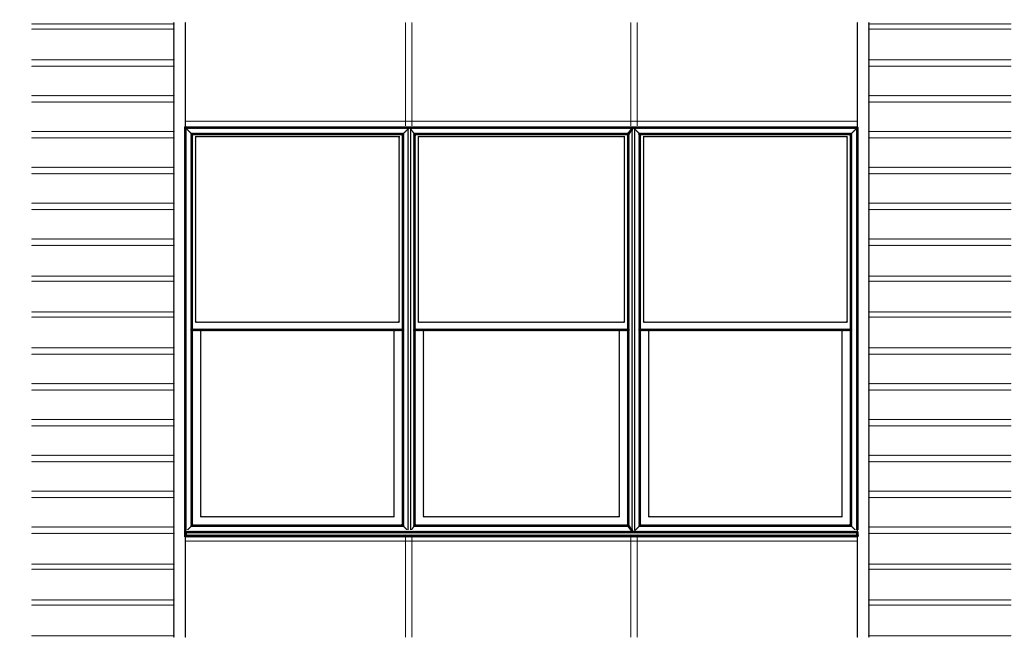
SCALE: 3" = 1'-0"

SCALE: 3/8" = 1'-0"

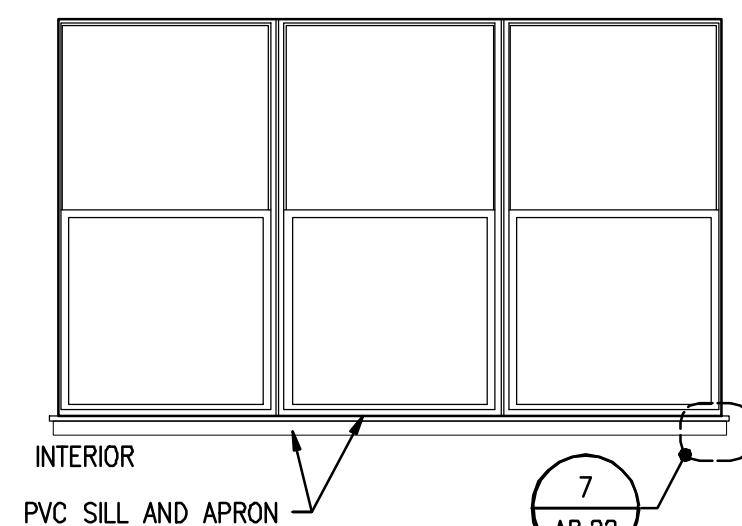
5 ELEVATIONS & DETAILS @ WINDOW TYPE "B.P."

REFERENCED FROM:

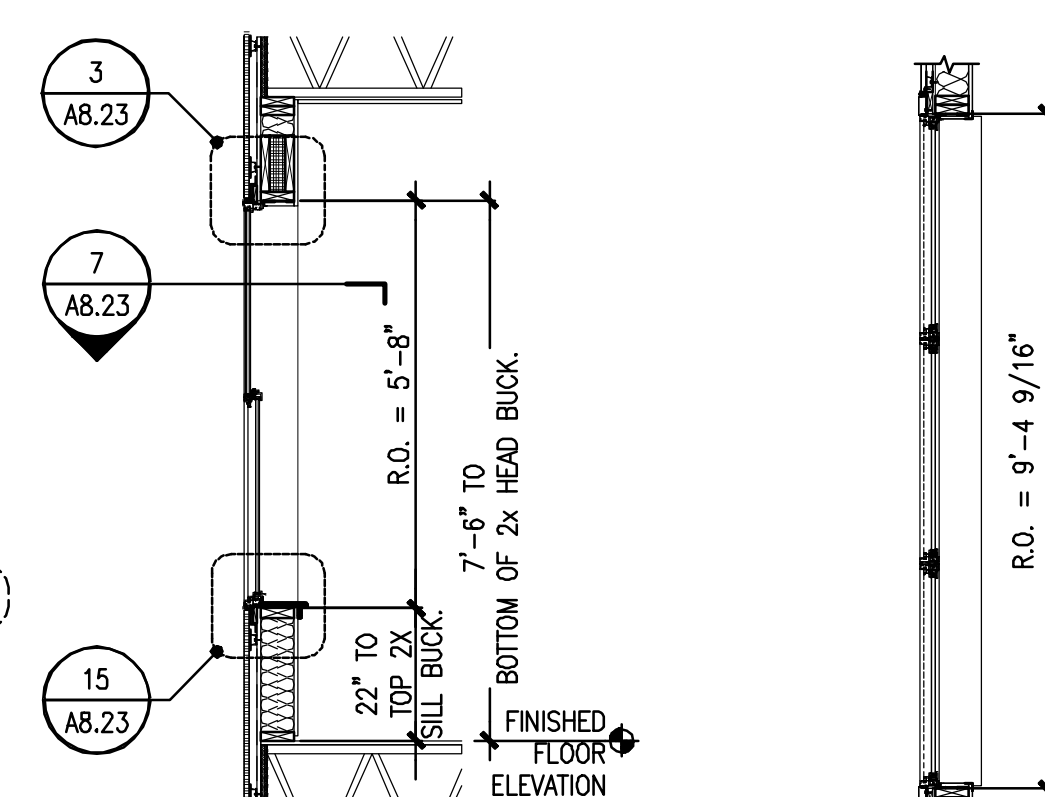
SCALE: 3/8" = 1'-0"



SINGLE-HUNG TRIPLE VINYL WINDOW ASSEMBLY AT METAL SIDING OPENINGS, EQUAL TO PARADIGM 8381 SERIES NEW CONSTRUCTION

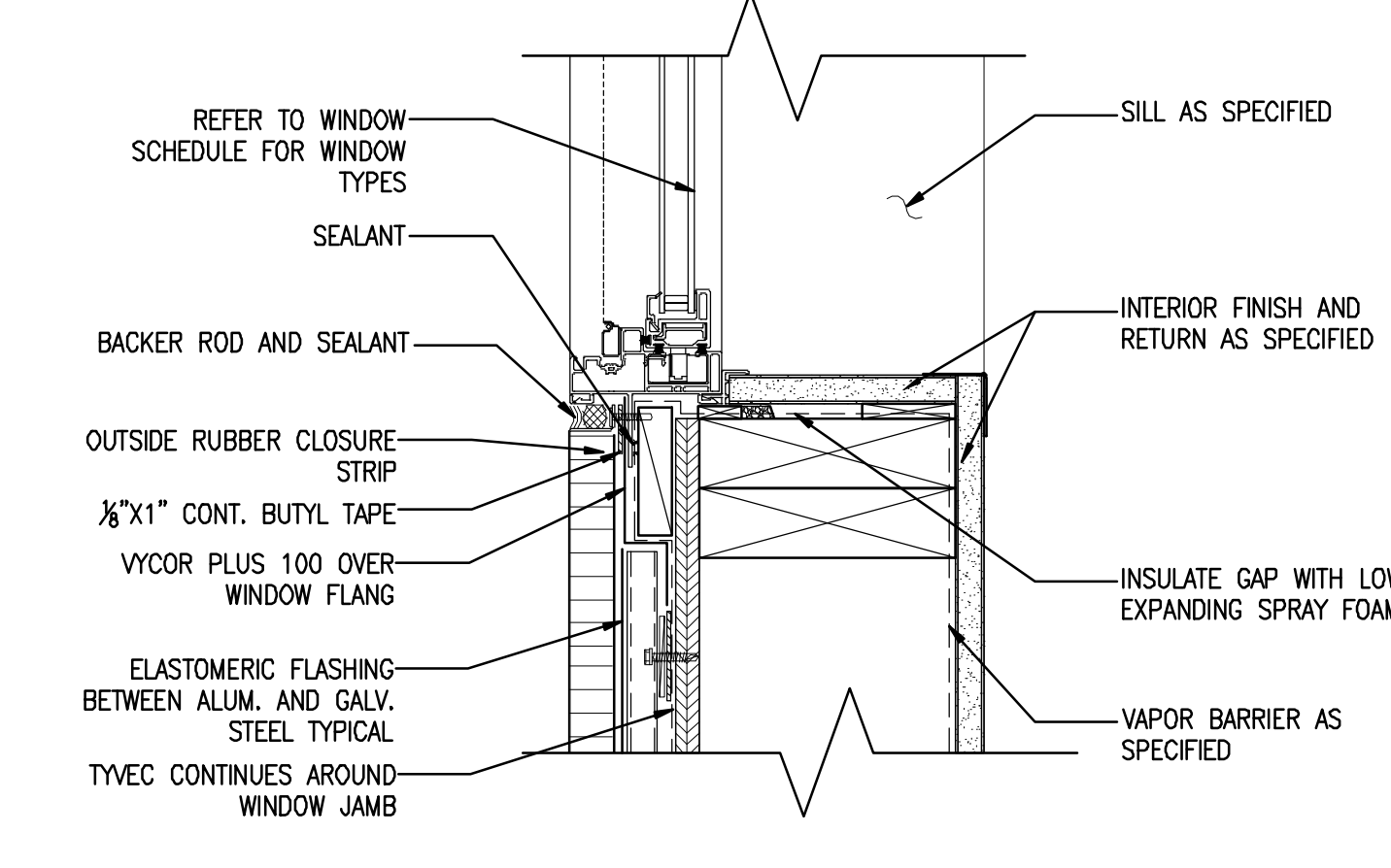


INTERIOR PVC SILL AND APRON PAINTED



HEAD & SILL CONDITION

JAMB CONDITION



11 JAMB DETAIL

REFERENCED FROM:

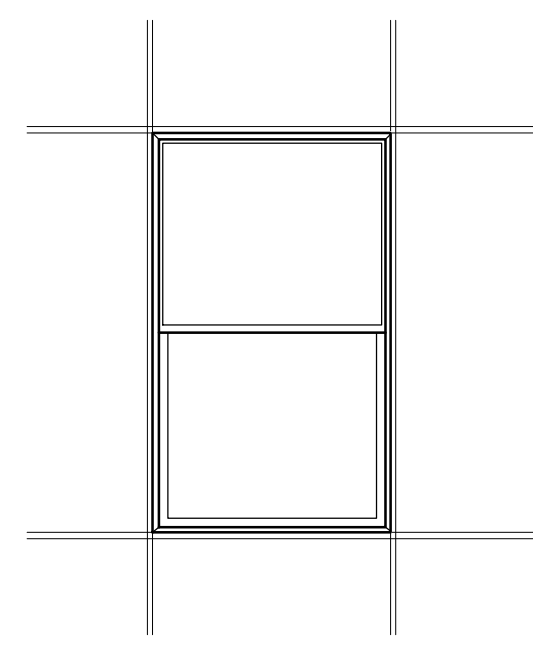
SCALE: 3" = 1'-0"

SCALE: 3" = 1'-0"

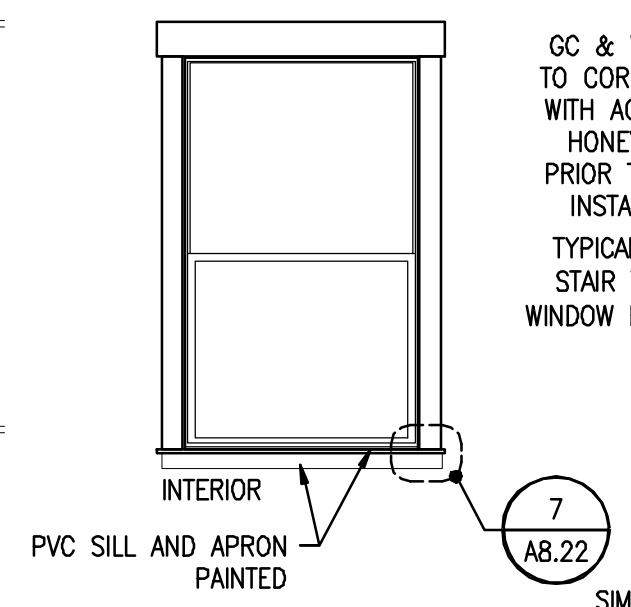
9 ELEVATIONS & DETAILS @ WINDOW TYPE "C.P."

REFERENCED FROM:

SCALE: 3/8" = 1'-0"

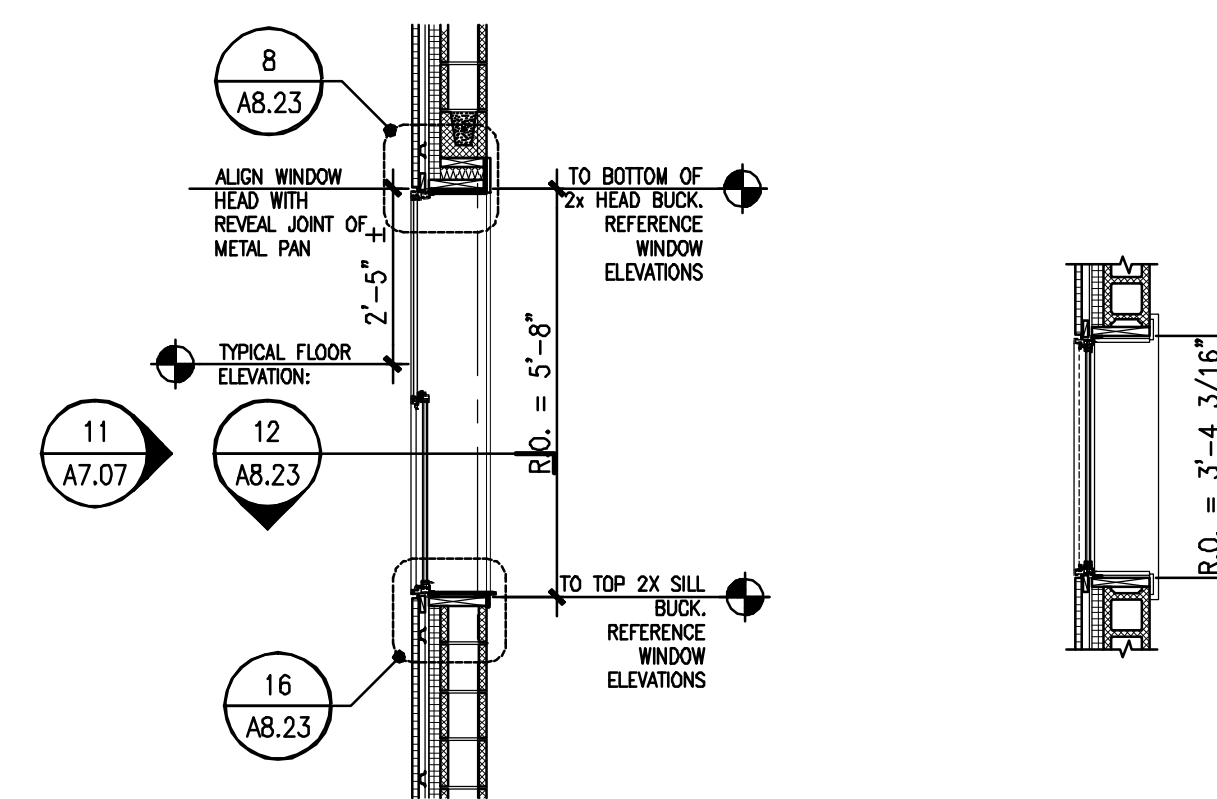


SINGLE-HUNG VINYL WINDOW ASSEMBLY AT METAL PANEL OPENINGS, EQUAL TO PARADIGM 8381 SERIES NEW CONSTRUCTION



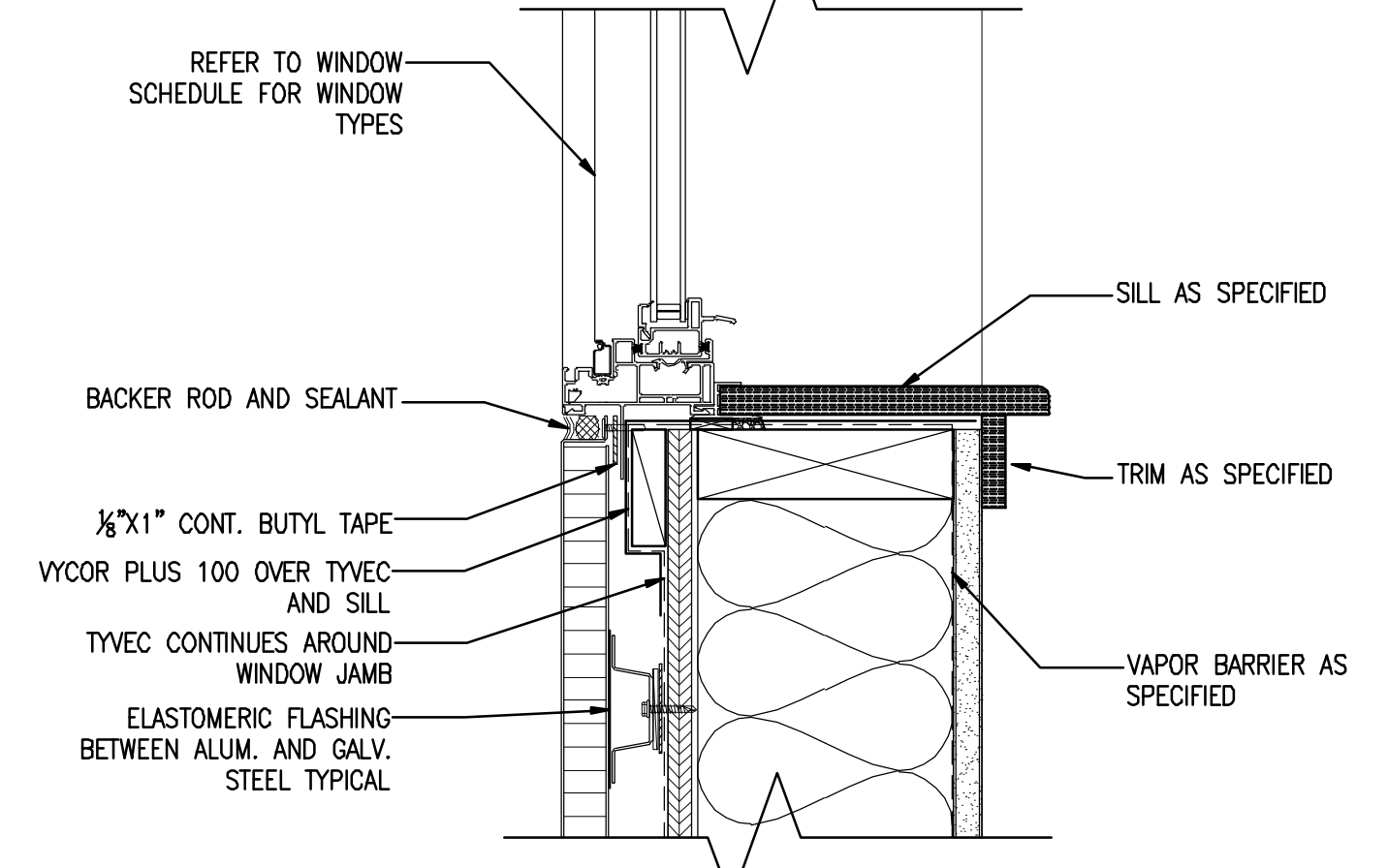
INTERIOR PVC SILL AND APRON PAINTED

GC & WINDOW MANUFACTURER TO CORRELATE WINDOW HEIGHT WITH ACCENT REVEAL JOINT OF HONEYCOMB METAL PANELS PRIOR TO MANUFACTURING AND INSTALLATION OF WINDOWS. TYPICAL FOR ALL WINDOWS IN STAIR TOWER #1. REFERENCE WINDOW ELEVATIONS FOR FURTHER INFORMATION.



HEAD & SILL CONDITION

JAMB CONDITION



15 SILL DETAIL

REFERENCED FROM:

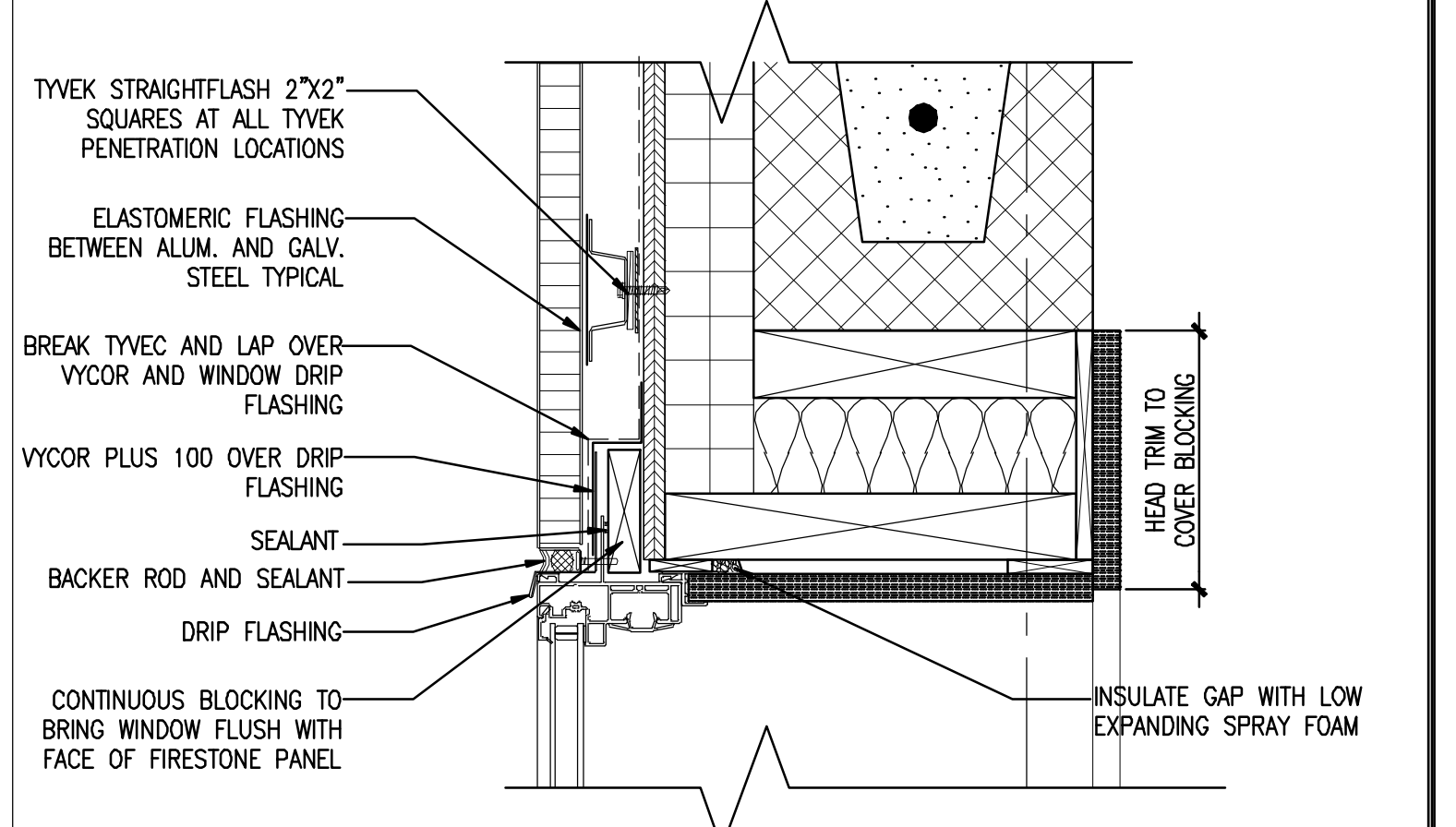
SCALE: 3" = 1'-0"

SCALE: 3" = 1'-0"

13 ELEVATIONS & DETAILS @ WINDOW TYPE "E.P."

REFERENCED FROM:

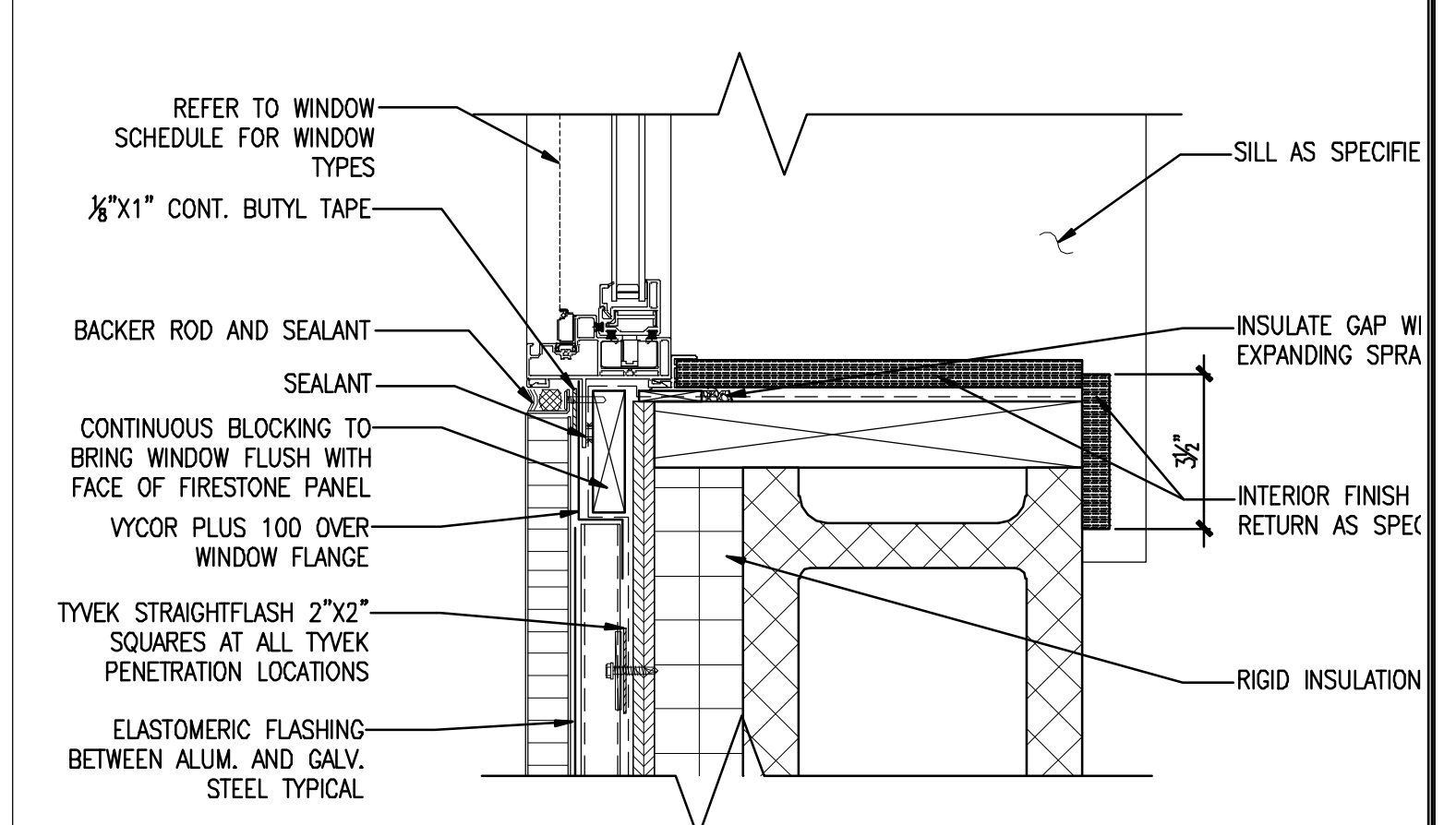
SCALE: 3/8" = 1'-0"



8 HEAD DETAIL

REFERENCED FROM:

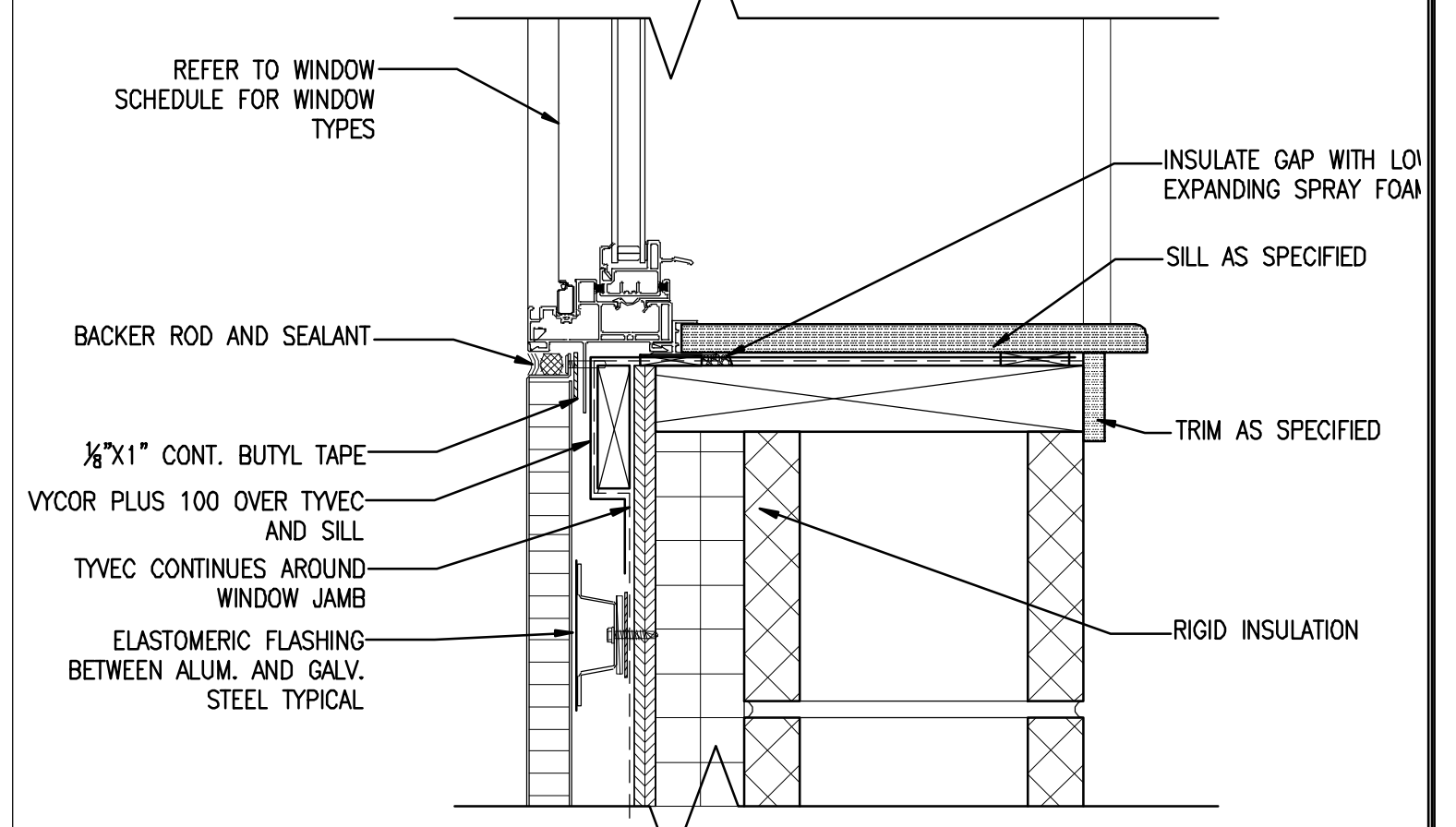
SCALE: 3" = 1'-0"



12 JAMB DETAIL

REFERENCED FROM:

SCALE: 3" = 1'-0"



16 SILL DETAIL

REFERENCED FROM:

SCALE: 3" = 1'-0"

CWS Architects
 Architecture
 Space Planning
 Value Design
 434 Cumberland Avenue
 Portland, ME 04101
 Phone: (207) 774-4441
 Fax: (207) 774-4016
 www.CWSarch.com



Owner: **SOUTHERN MAINE STUDENT HOUSING LLC**
 247 COMMERCIAL STREET
 ROCKPORT, MAINE 04856
 TEL: (207) 236-4067

Contractor: **PIZZAGALLI CONSTRUCTION**
 131 PRESUMPSCOT STREET
 PORTLAND, ME 04103
 TEL: (207) 874-2323
 FAX: (207) 874-2727

BAYSIDE VILLAGE - A STUDENT HOUSING COMPLEX
 132 MARGINAL WAY
 PORTLAND, MAINE

Project No: 2006-432/BVP

Drawing Title: **WINDOW ELEVATIONS & MISC DETAILS**

Scale: AS NOTED
 Date: SEPTEMBER 14, 2007

- Revisions:
- ▲
 - ▲
 - ▲
 - ▲
 - ▲

Drawing Number:

A8.23