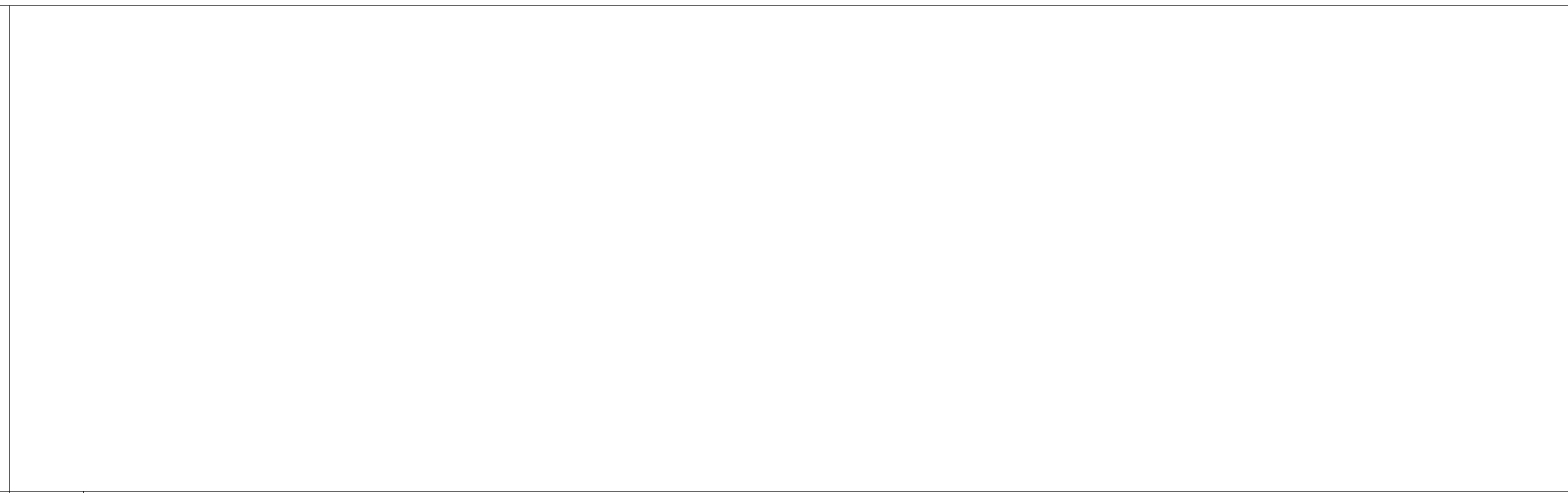
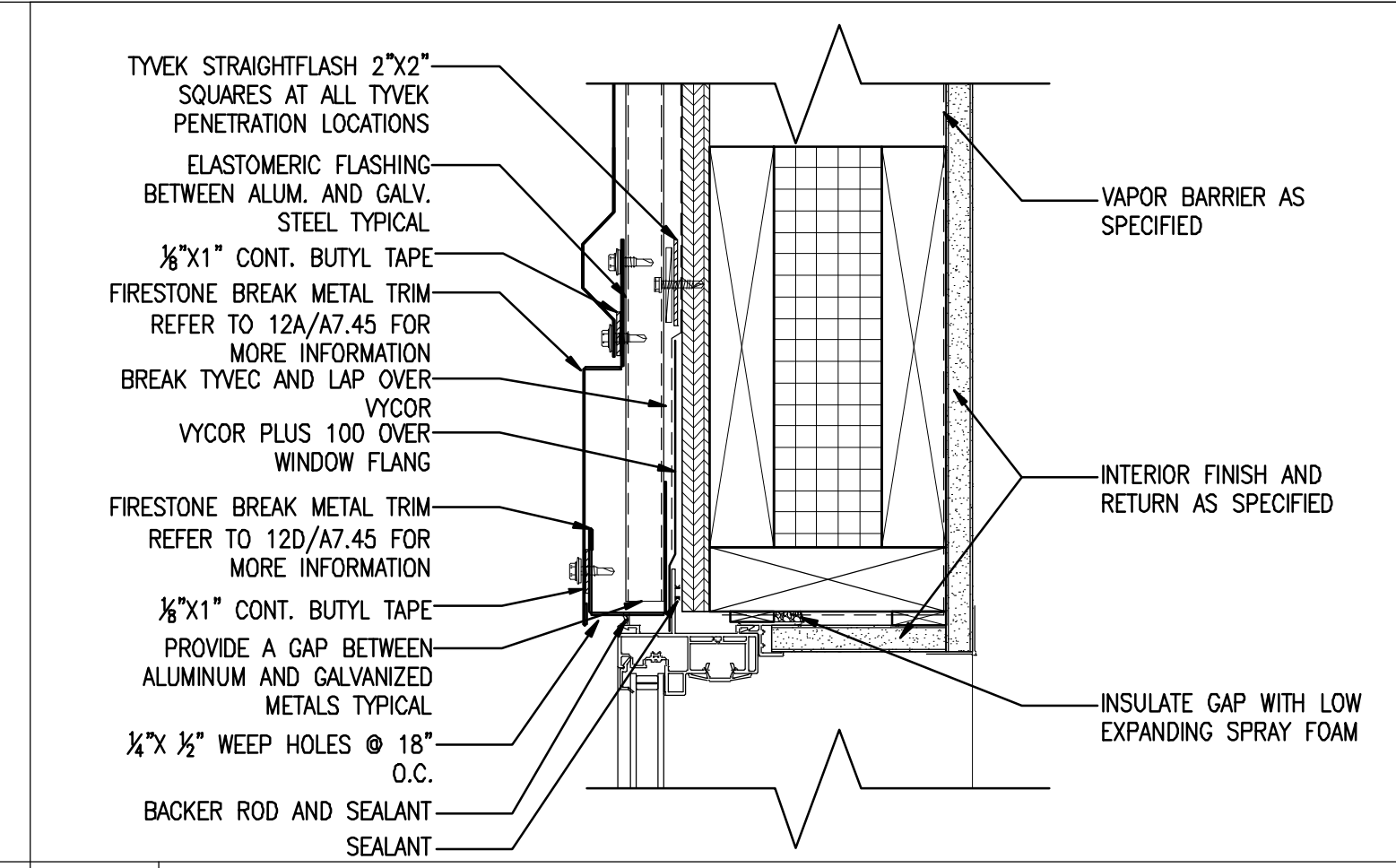
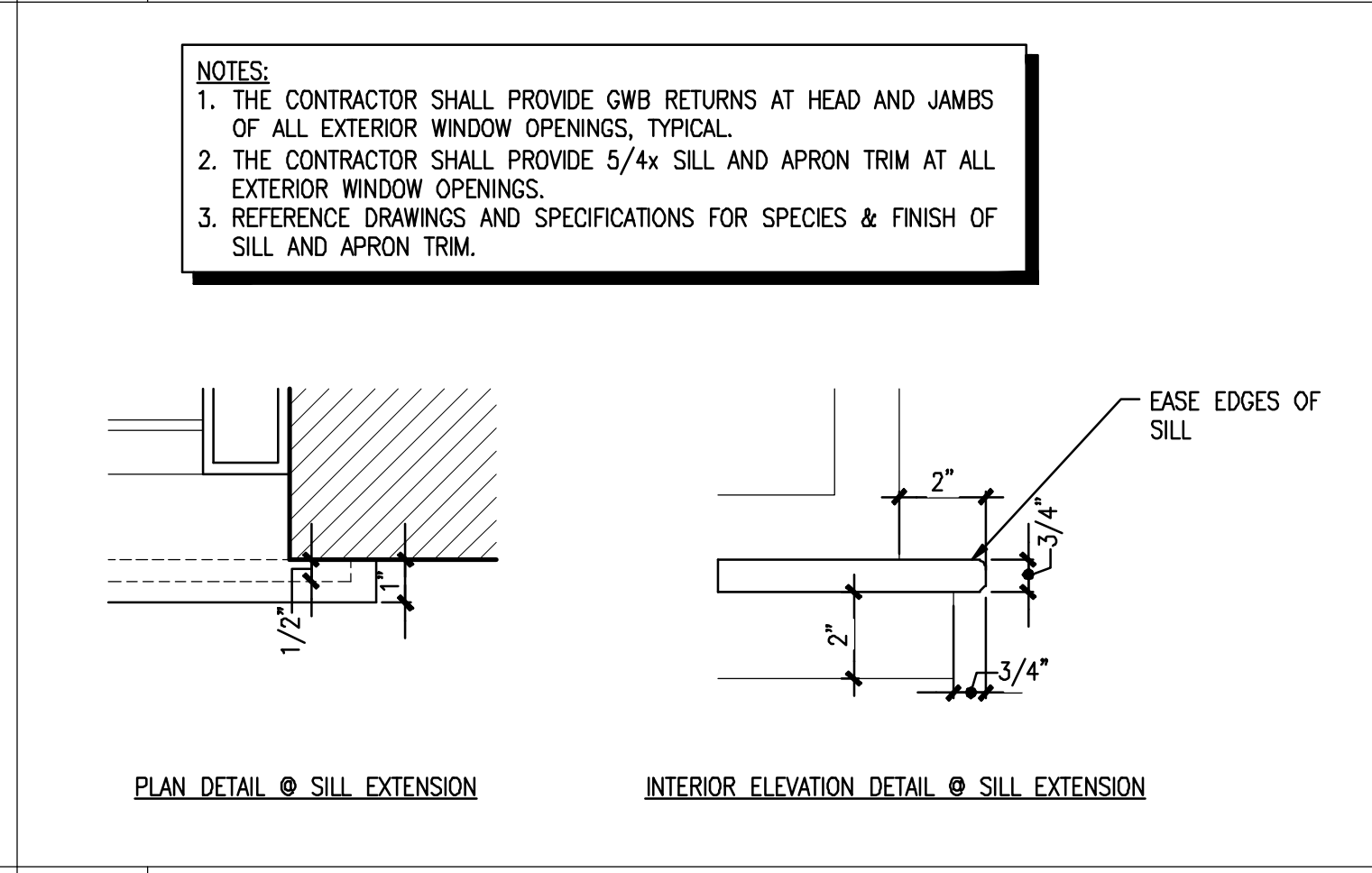


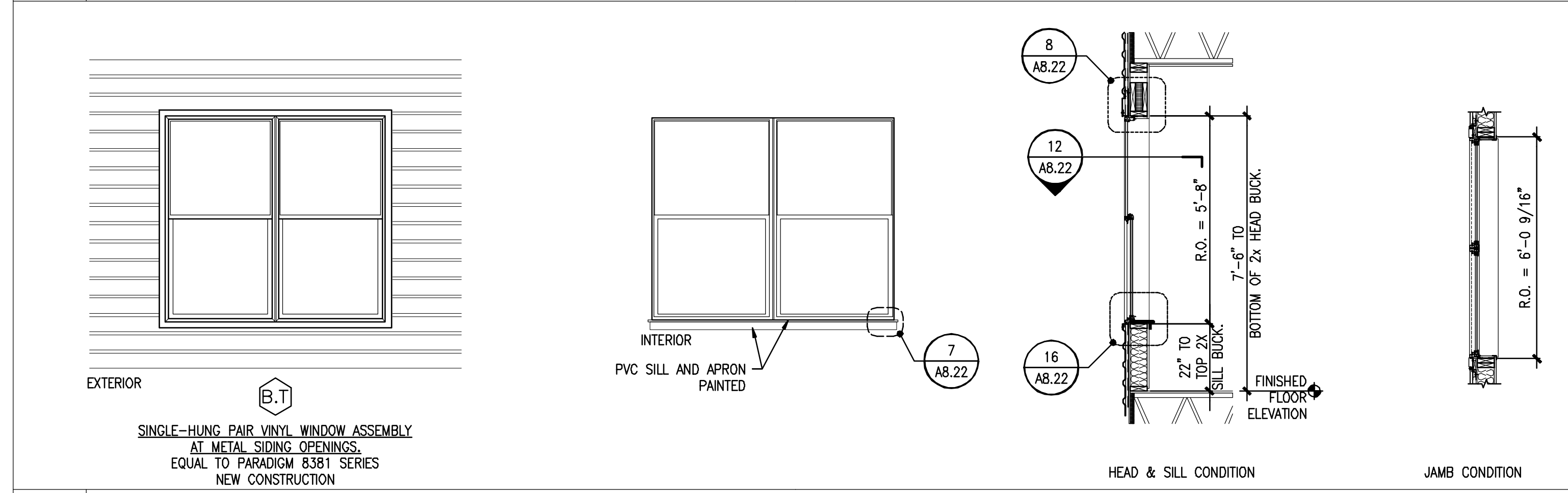
**1 ELEVATIONS & DETAILS @ WINDOW TYPE "A"**  
REFERENCED FROM:  
SCALE: 3/8" = 1'-0"



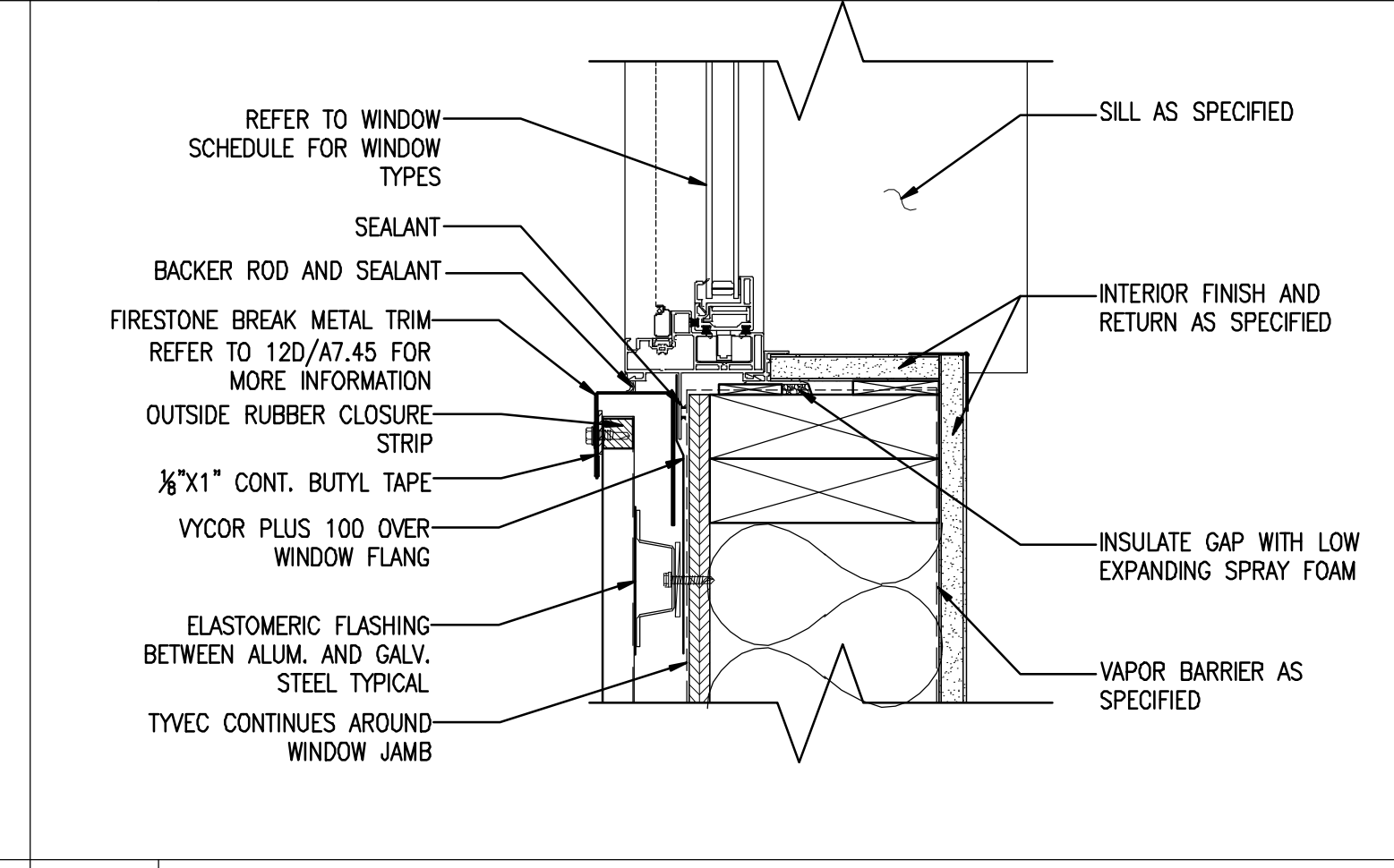
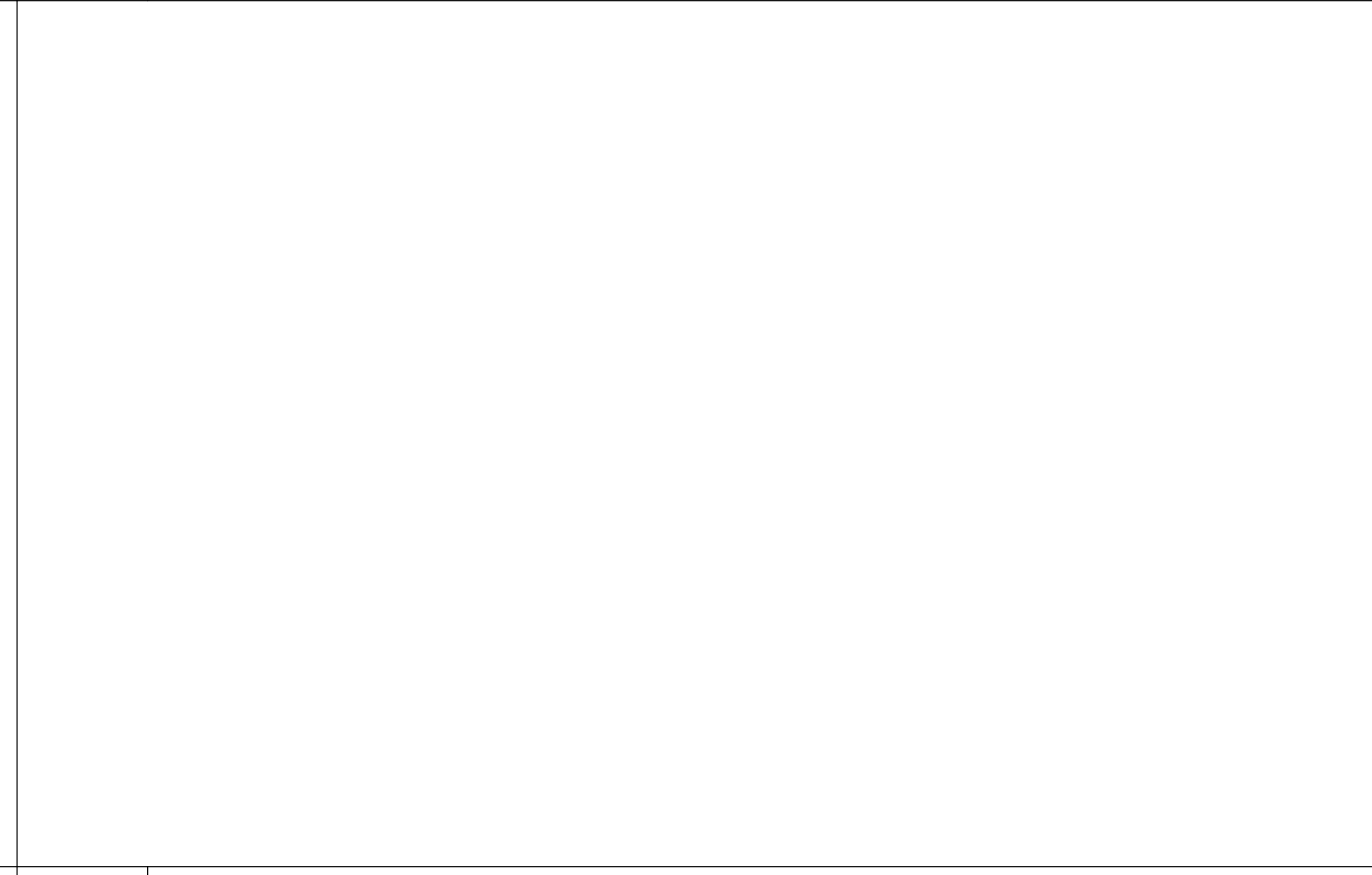
**3 REFERENCED FROM:**  
SCALE: 3/8" = 1'-0"



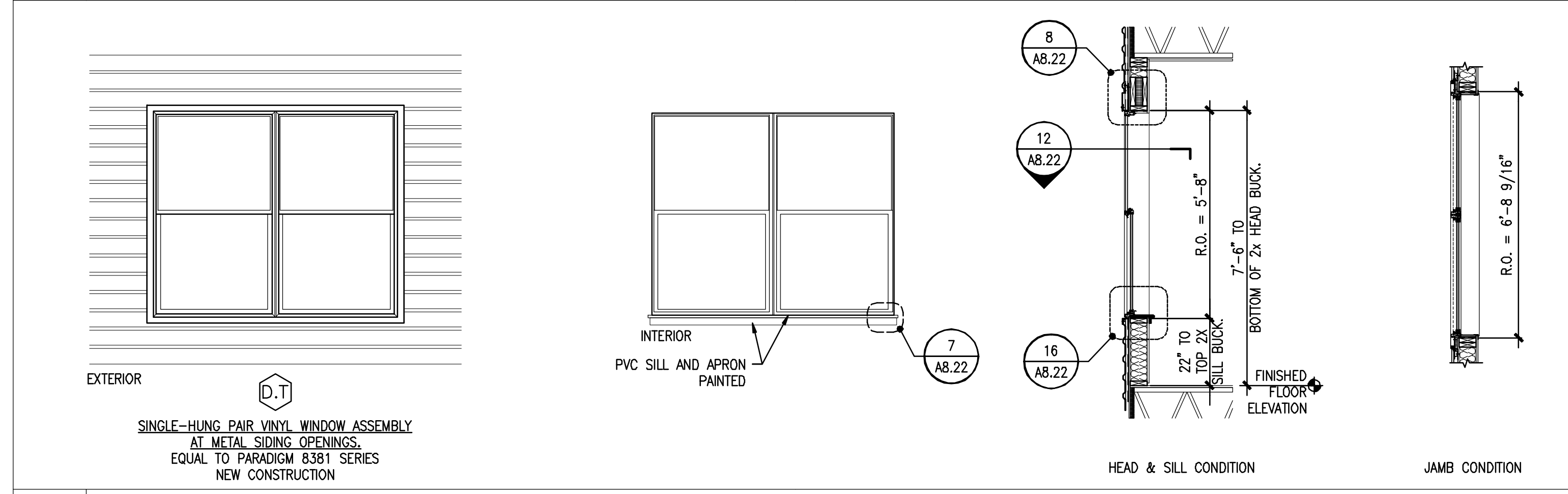
**7 RETURN DETAIL @ WINDOW SILL**  
REFERENCED FROM:  
SCALE: 3" = 1'-0"



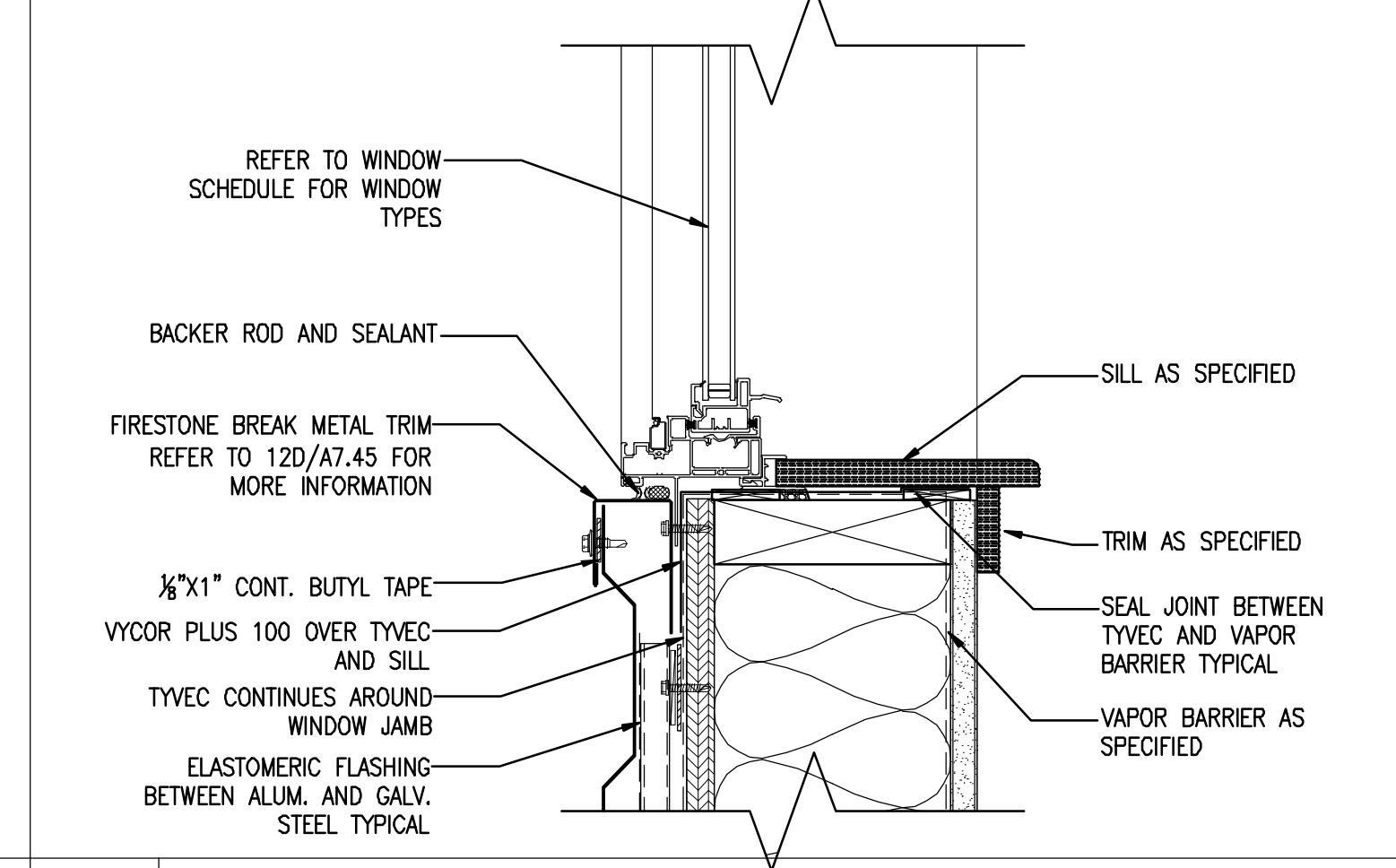
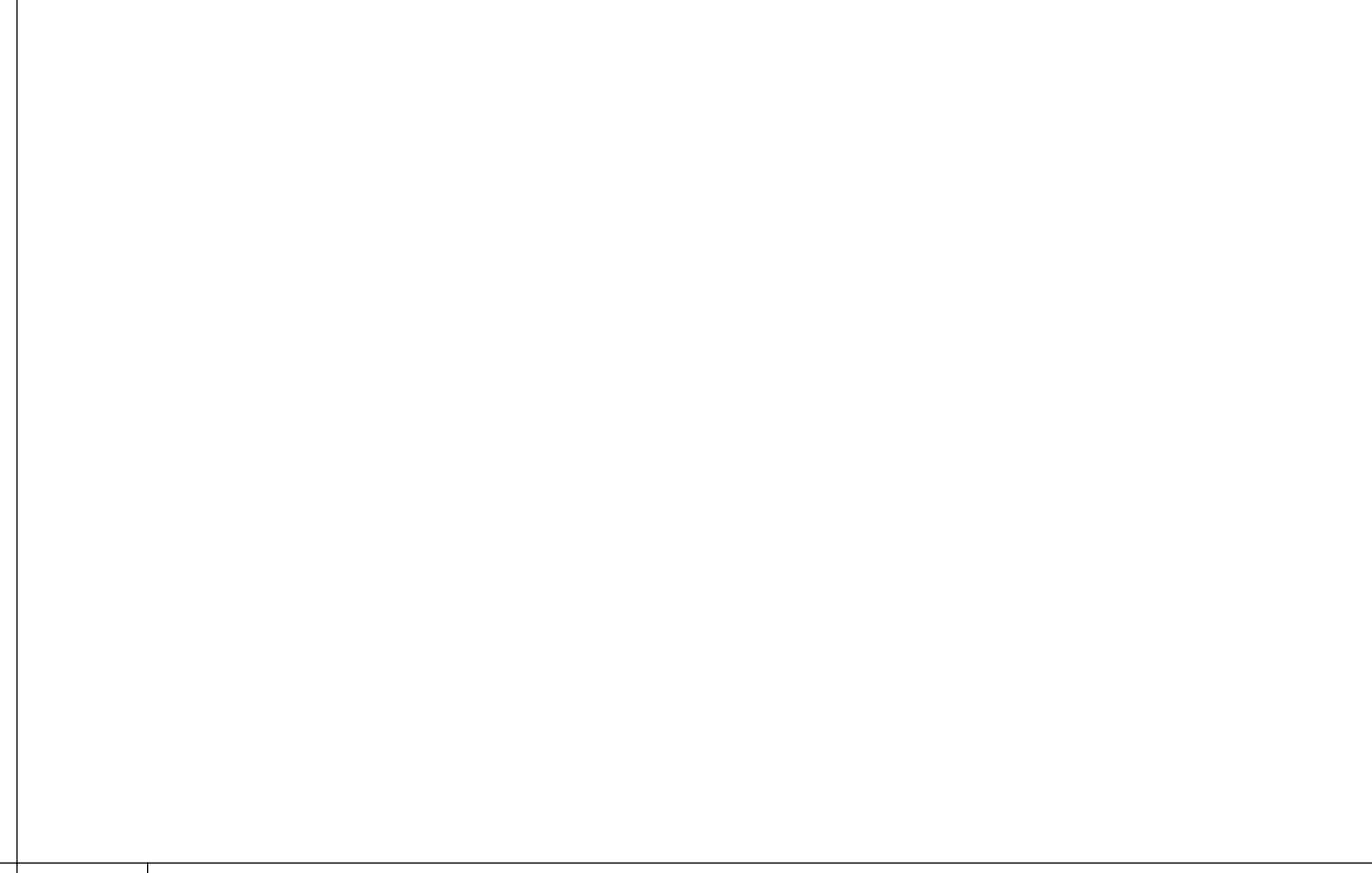
**5 ELEVATIONS & DETAILS @ WINDOW TYPE "B"**  
REFERENCED FROM:  
SCALE: 3/8" = 1'-0"



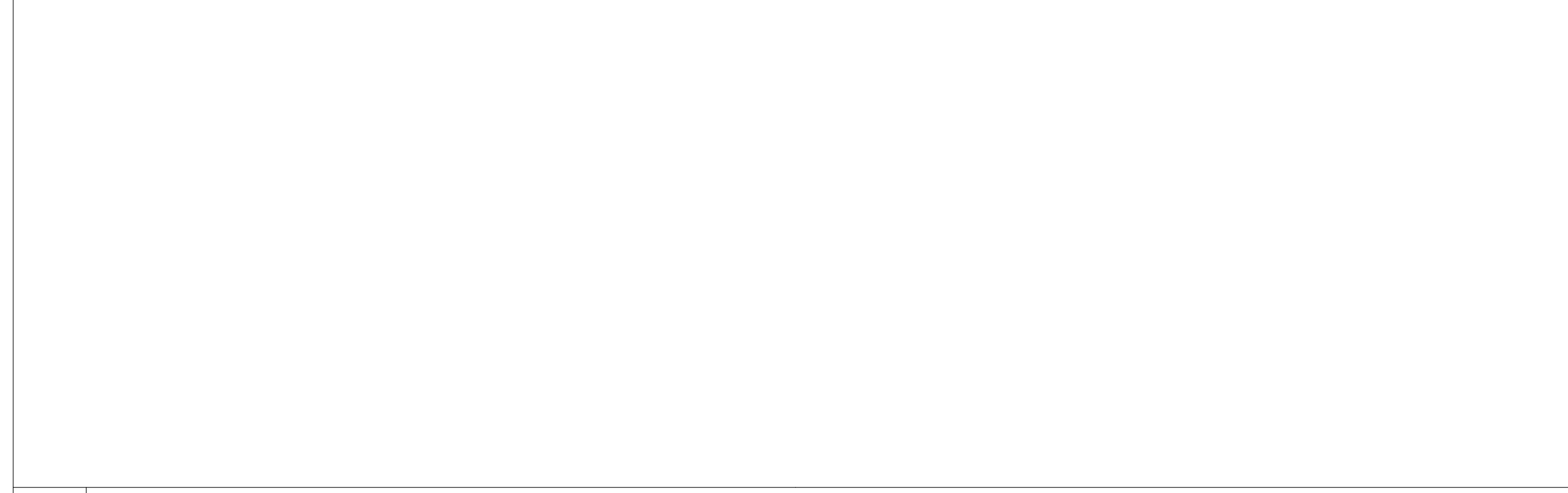
**8 HEAD DETAIL**  
REFERENCED FROM:  
SCALE: 3" = 1'-0"



**9 ELEVATIONS & DETAILS @ WINDOW TYPE "C"**  
REFERENCED FROM:  
SCALE: 3/8" = 1'-0"



**12 JAMB DETAIL**  
REFERENCED FROM:  
SCALE: 3" = 1'-0"



**11 DETAIL @**  
REFERENCED FROM:  
SCALE: 3/8" = 1'-0"

**13 REFERENCED FROM:**  
SCALE: 3/8" = 1'-0"

**15 DETAIL @**  
REFERENCED FROM:  
SCALE: 3/8" = 1'-0"

**16 SILL DETAIL**  
REFERENCED FROM:  
SCALE: 3" = 1'-0"