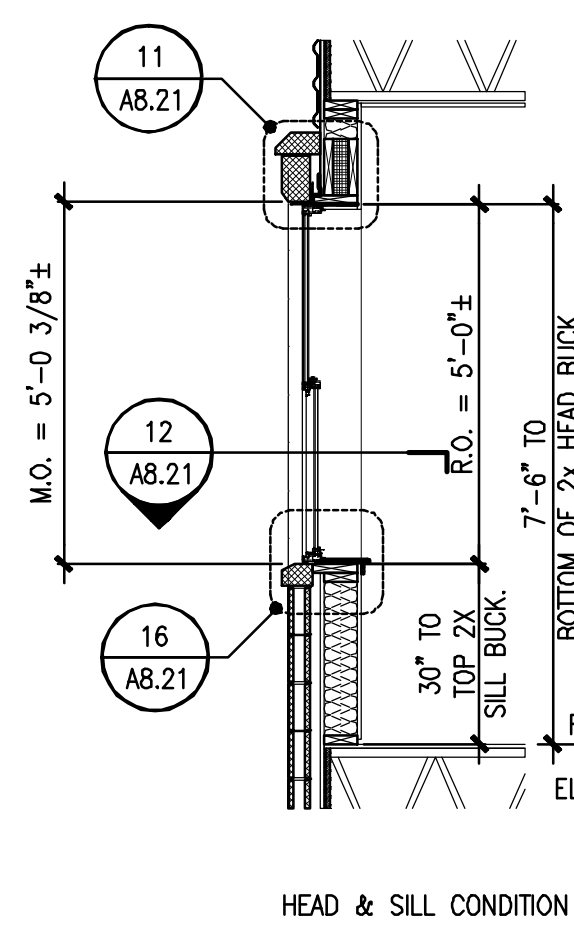
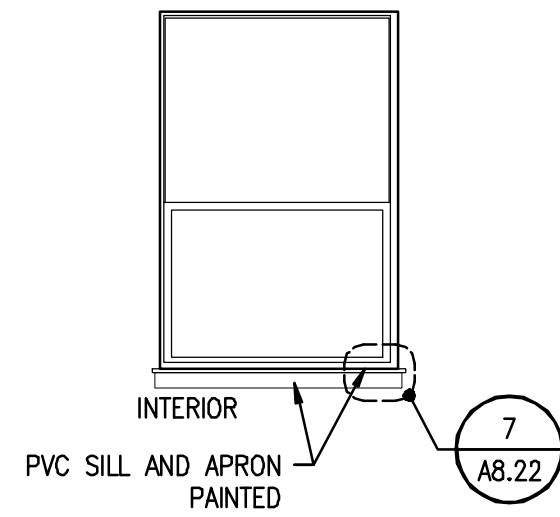
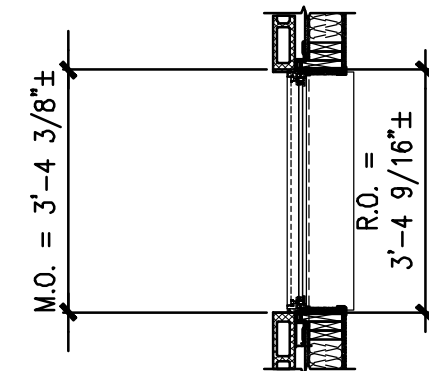


**A.M**  
SINGLE-HUNG VINYL WINDOW ASSEMBLY AT BRICK OPENINGS. EQUAL TO PARADIGM 8381 SERIES NEW CONSTRUCTION

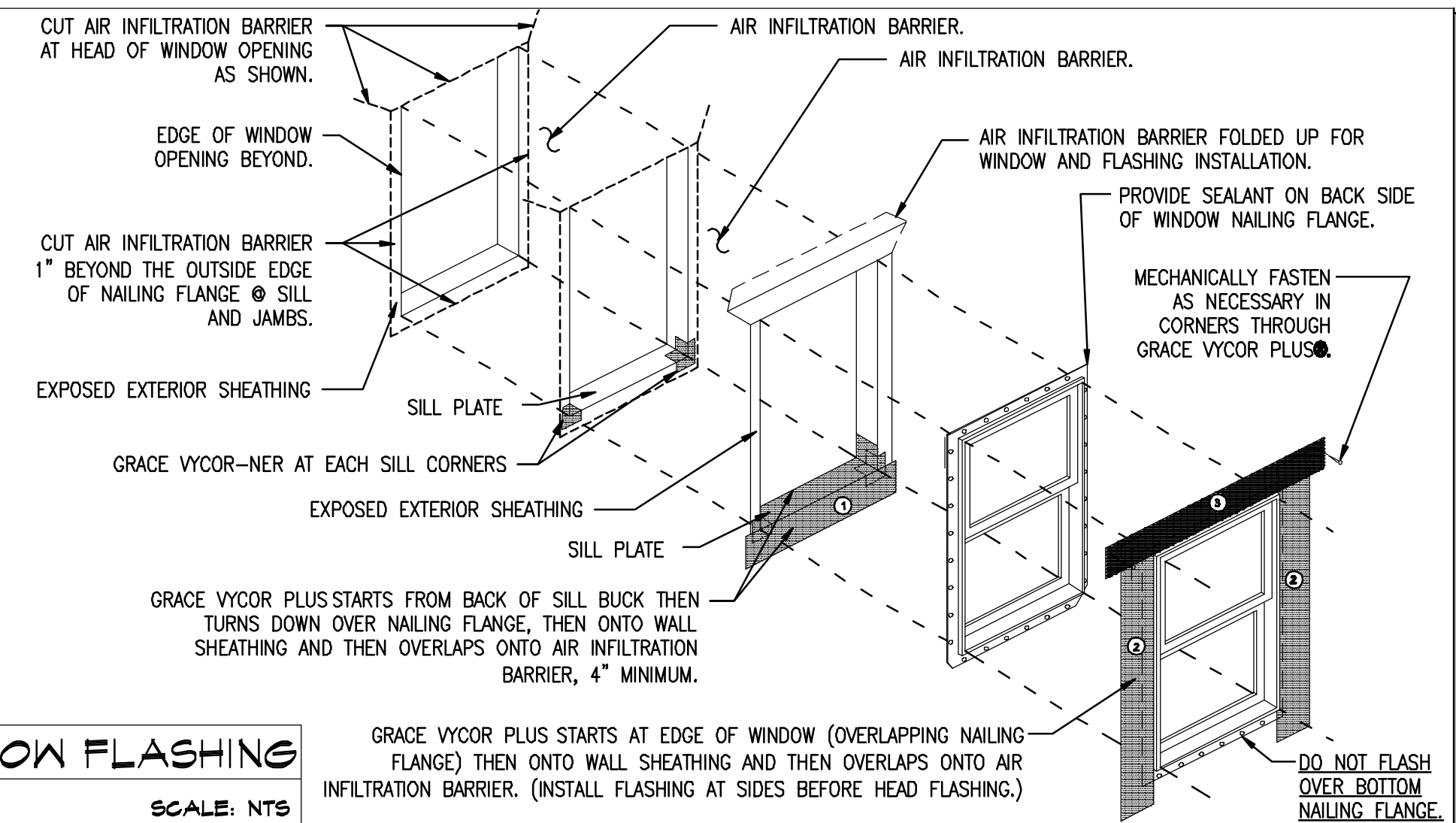
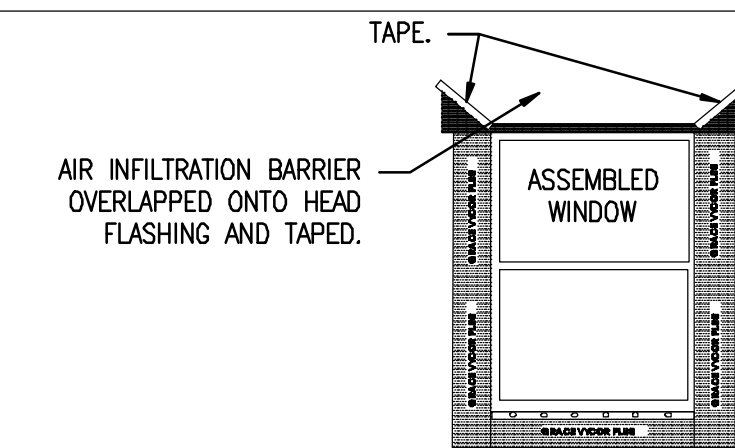


HEAD & SILL CONDITION



JAMB CONDITION

NOTES:  
A. INSTALL AIR INFILTRATION BARRIER AS SPECIFIED.  
B. INSTALL GRACE VYCOR PLUS IN ORDER AS SHOWN BY NUMBERED STEPS.  
C. IF APPLICABLE, LEAVE RELEASE PAPER ON LOWER HALF ON SILL FLASHING UNTIL FUTURE TIE-IN.  
D. INSTALL GRACE VYCOR PLUS AND AIR INFILTRATION BARRIER TO FORM WATER SHEDDING LAPS TO THE EXTERIOR SIDE OF THE WALL ASSEMBLY.  
E. COORDINATE WITH FLASHING REQUIREMENTS OF WINDOW MANUFACTURER. REFERENCE WINDOW ELEVATIONS & DETAILS FOR ADDITIONAL INFORMATION.  
F. HEAD AND JAMB DETAILS AT DOOR CONDITIONS SIMILAR.

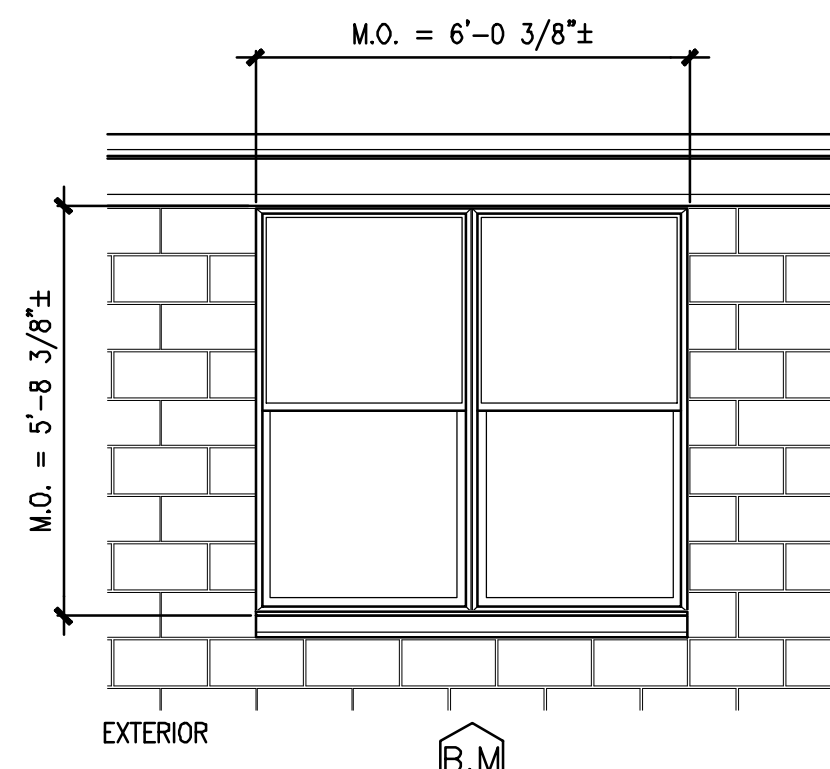


**1 ELEVATIONS & DETAILS @ WINDOW TYPE "A.M"**

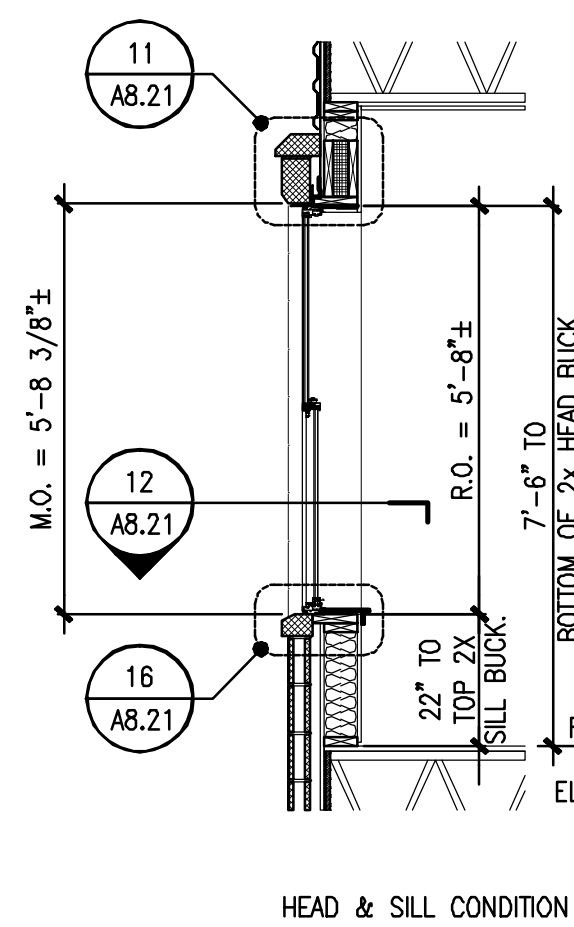
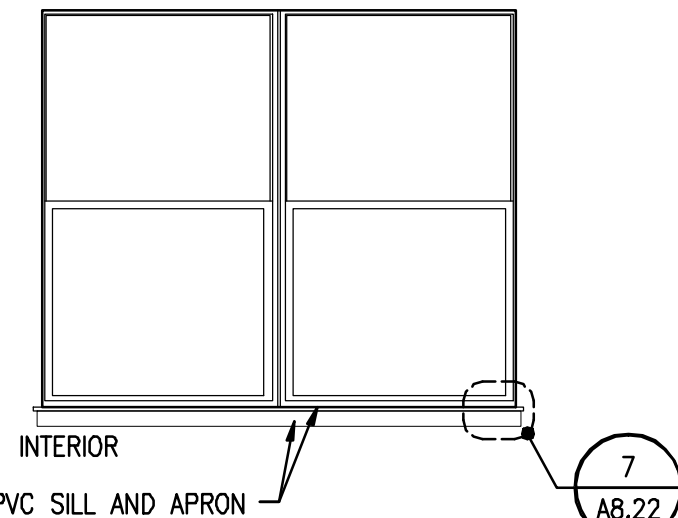
SCALE: 3/8" = 1'-0"

**3 TYP INSTALLATION DET. OF WINDOW FLASHING**

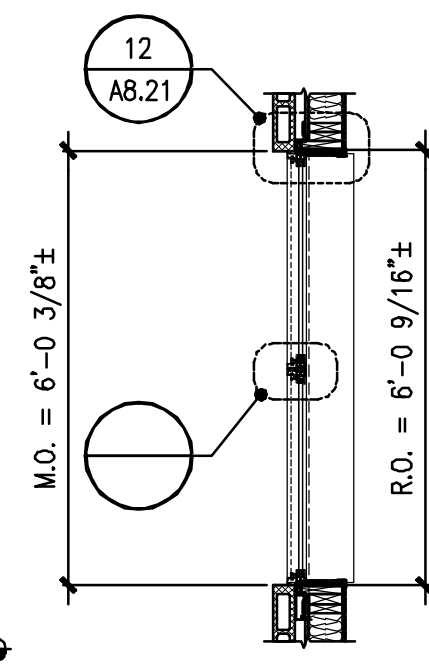
SCALE: NTS



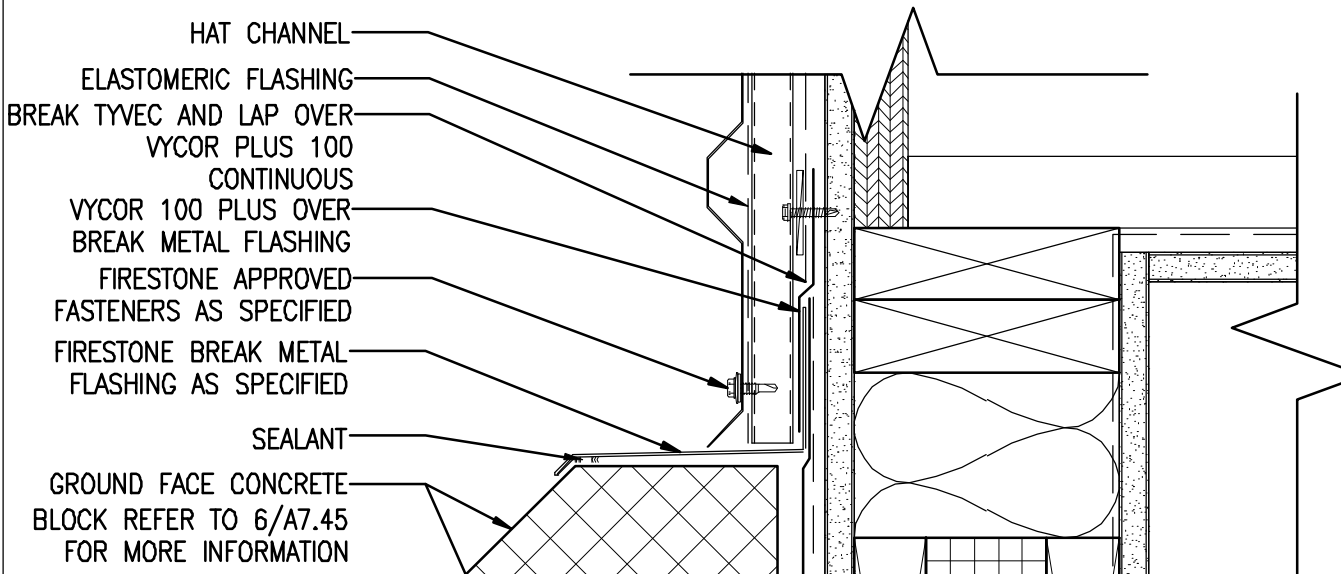
**B.M**  
SINGLE-HUNG PAIR VINYL WINDOW ASSEMBLY AT BRICK OPENINGS. EQUAL TO PARADIGM 8381 SERIES NEW CONSTRUCTION



HEAD & SILL CONDITION

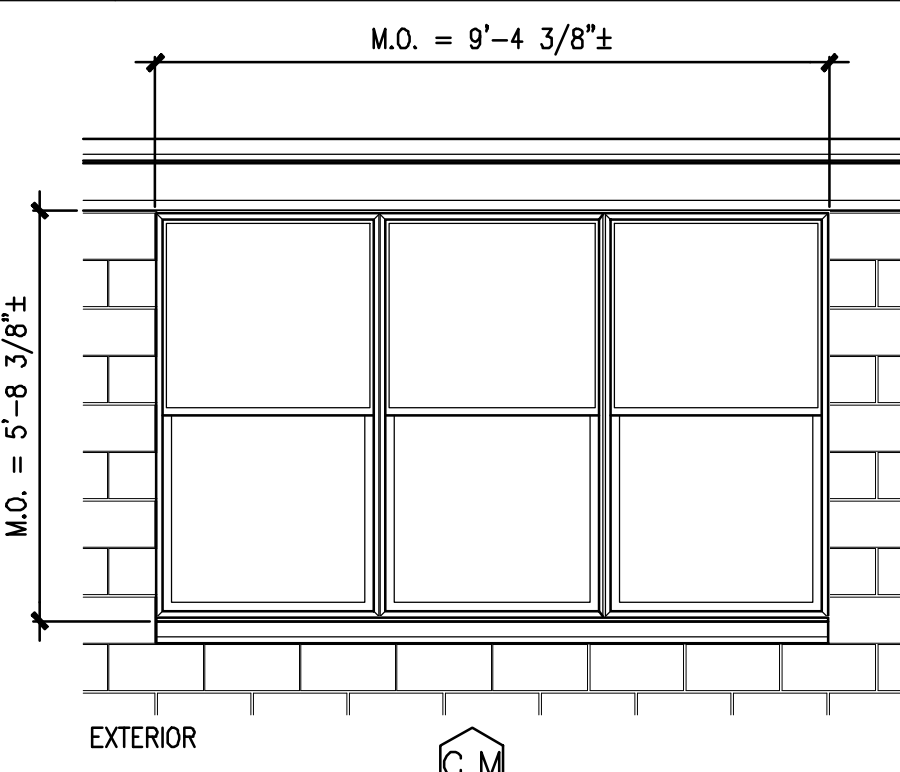


JAMB CONDITION

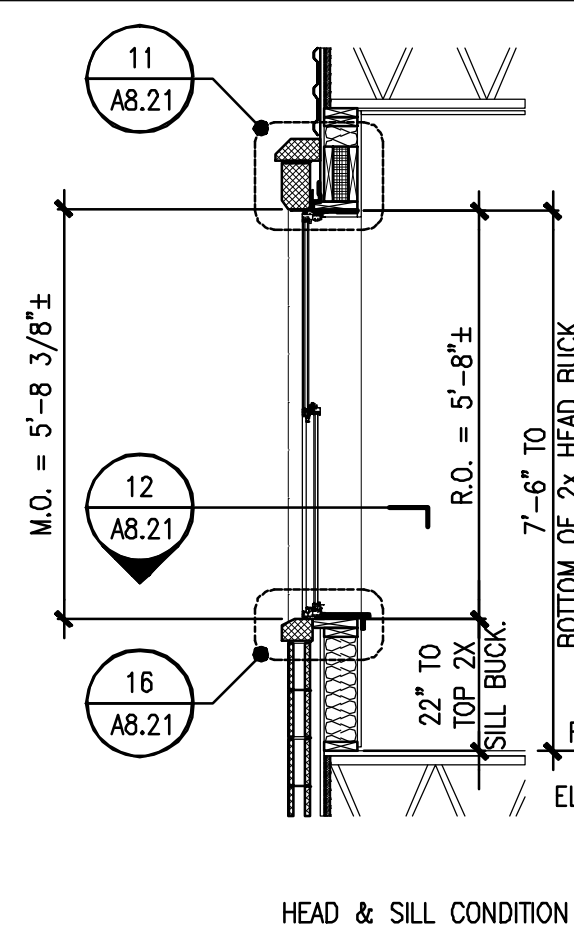
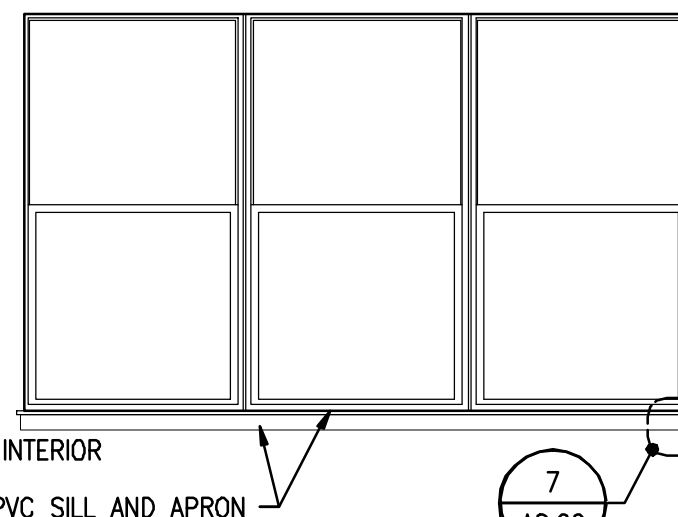


**5 ELEVATIONS & DETAILS @ WINDOW TYPE "B.M"**

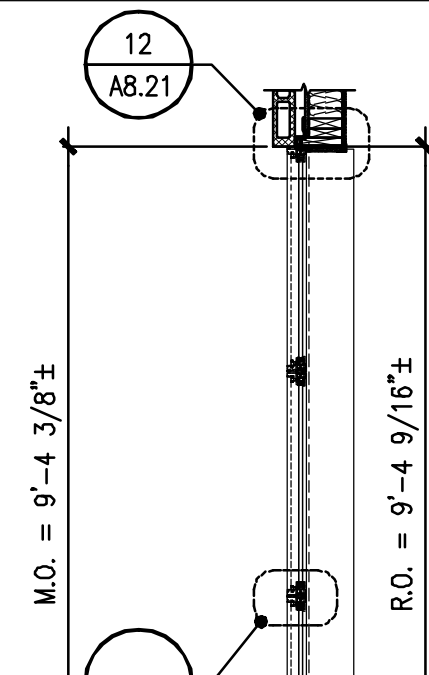
SCALE: 3/8" = 1'-0"



**C.M**  
SINGLE-HUNG TRIPLE VINYL WINDOW ASSEMBLY AT BRICK OPENINGS. EQUAL TO PARADIGM 8381 SERIES NEW CONSTRUCTION



HEAD & SILL CONDITION



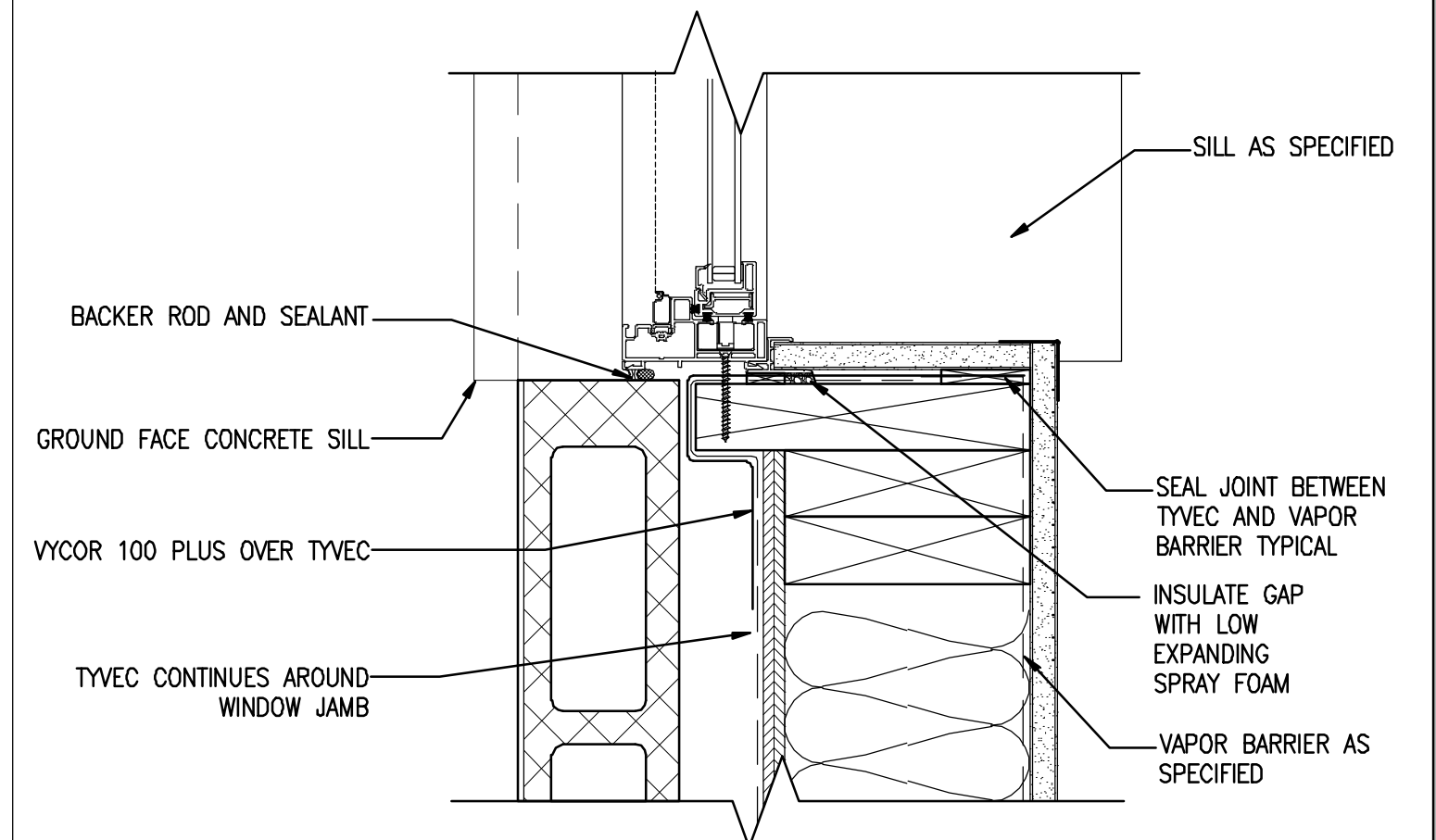
JAMB CONDITION

**11 MASONRY HEAD DETAIL**

SCALE: 3" = 1'-0"

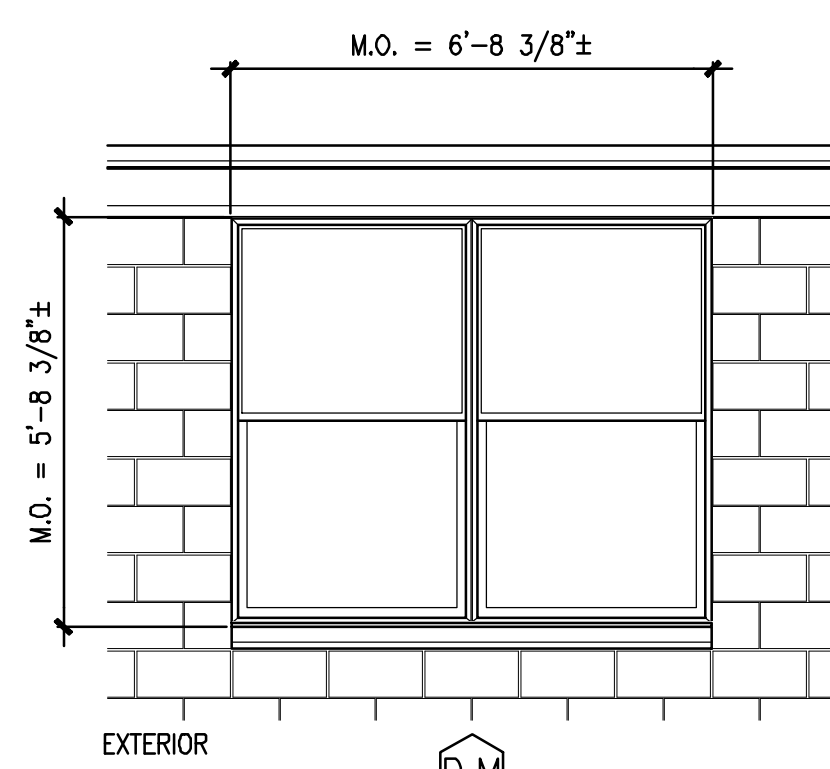
**8 MASONRY HEAD DETAIL**

SCALE: 3" = 1'-0"

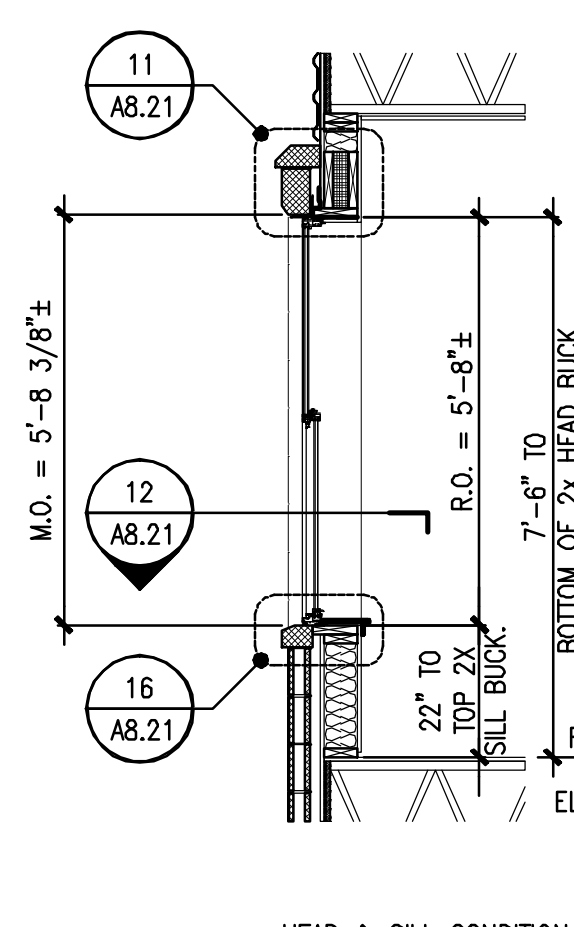
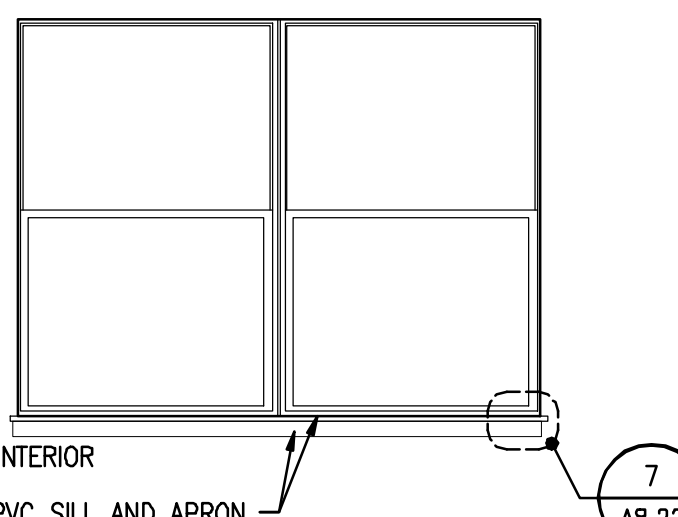


**9 ELEVATIONS & DETAILS @ WINDOW TYPE "C.M"**

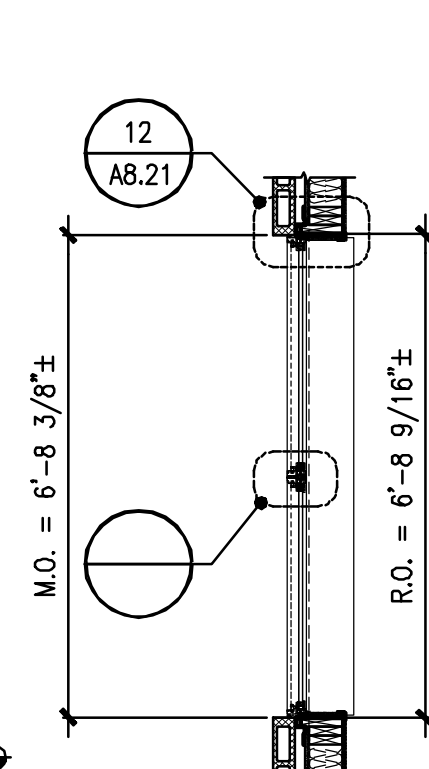
SCALE: 3/8" = 1'-0"



**D.M**  
SINGLE-HUNG PAIR VINYL WINDOW ASSEMBLY AT BRICK OPENINGS. EQUAL TO PARADIGM 8381 SERIES NEW CONSTRUCTION



HEAD & SILL CONDITION



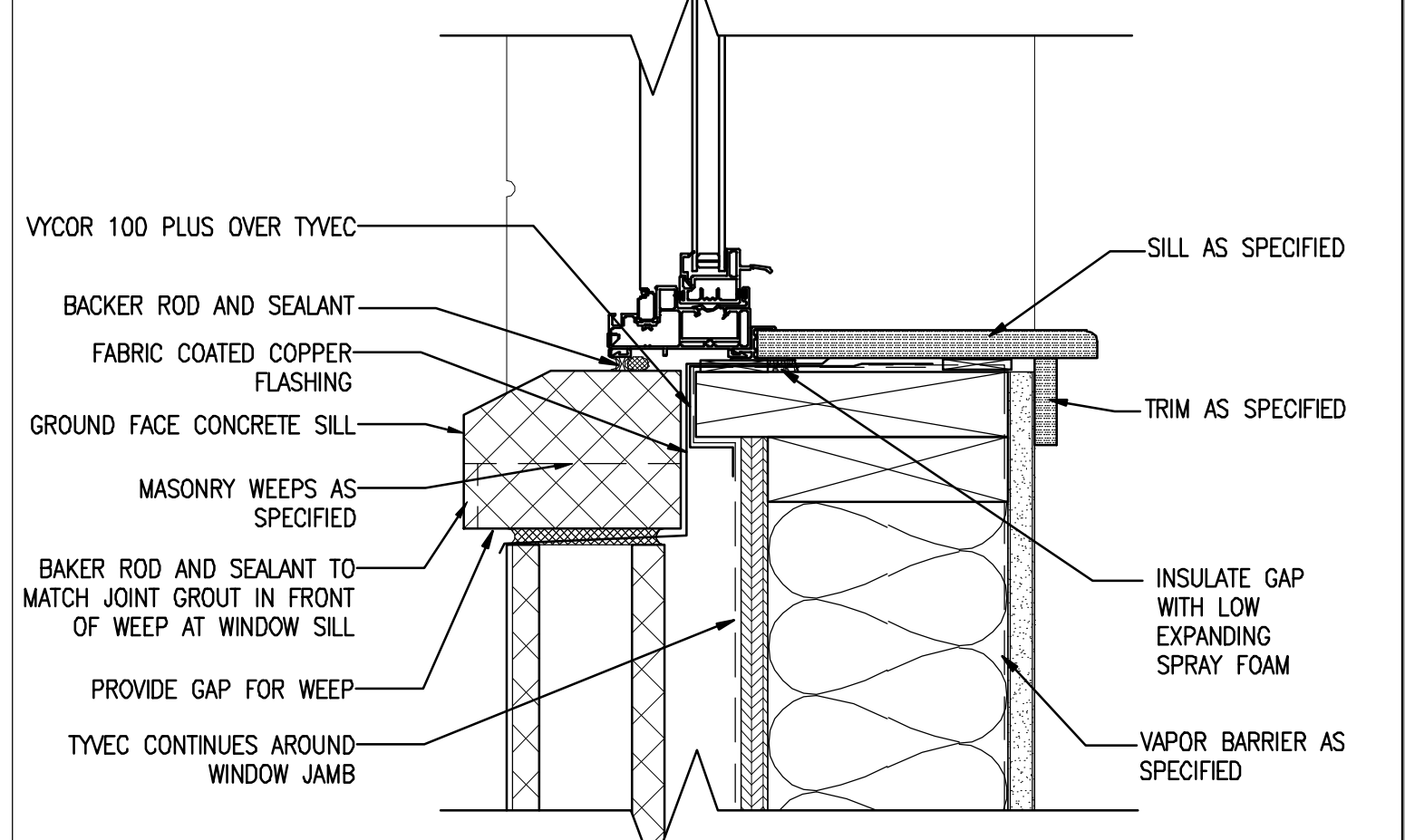
JAMB CONDITION

**15 DETAIL @**

SCALE:

**12 MASONRY JAMB DETAIL**

SCALE: 3" = 1'-0"



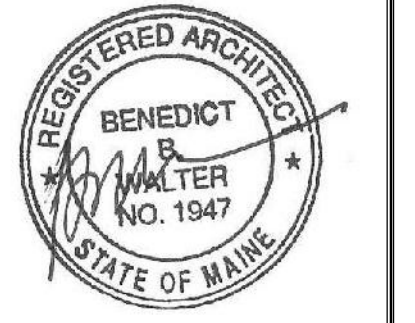
**13 ELEVATIONS & DETAILS @ WINDOW TYPE "D.M"**

SCALE: 3/8" = 1'-0"

**16 MASONRY SILL DETAIL**

SCALE: 3" = 1'-0"

**CWS Architects**  
Architecture  
Space Planning  
Value Design  
434 Cumberland Avenue  
Portland, ME 04101  
Phone: (207) 774-4441  
Fax: (207) 774-4016  
www.CWSarch.com



Owner: **SOUTHERN MAINE STUDENT HOUSING LLC**  
247 COMMERCIAL STREET  
ROCKPORT, MAINE 04856  
TEL: (207) 236-4067

Contractor: **PIZZAGALLI CONSTRUCTION**  
131 PRESUMSCOT STREET  
PORTLAND, ME 04103  
TEL: (207) 874-2323  
FAX: (207) 874-2727

**BAYSIDE VILLAGE - A STUDENT HOUSING COMPLEX**  
132 MARGINAL WAY  
PORTLAND, MAINE

Project No: 2006-432-BVP  
Drawing Title: **WINDOW ELEVATIONS & MISC DETAILS**

Scale: AS NOTED  
Date: SEPTEMBER 14, 2007  
Revisions:

Drawing Number: **A8.21**