

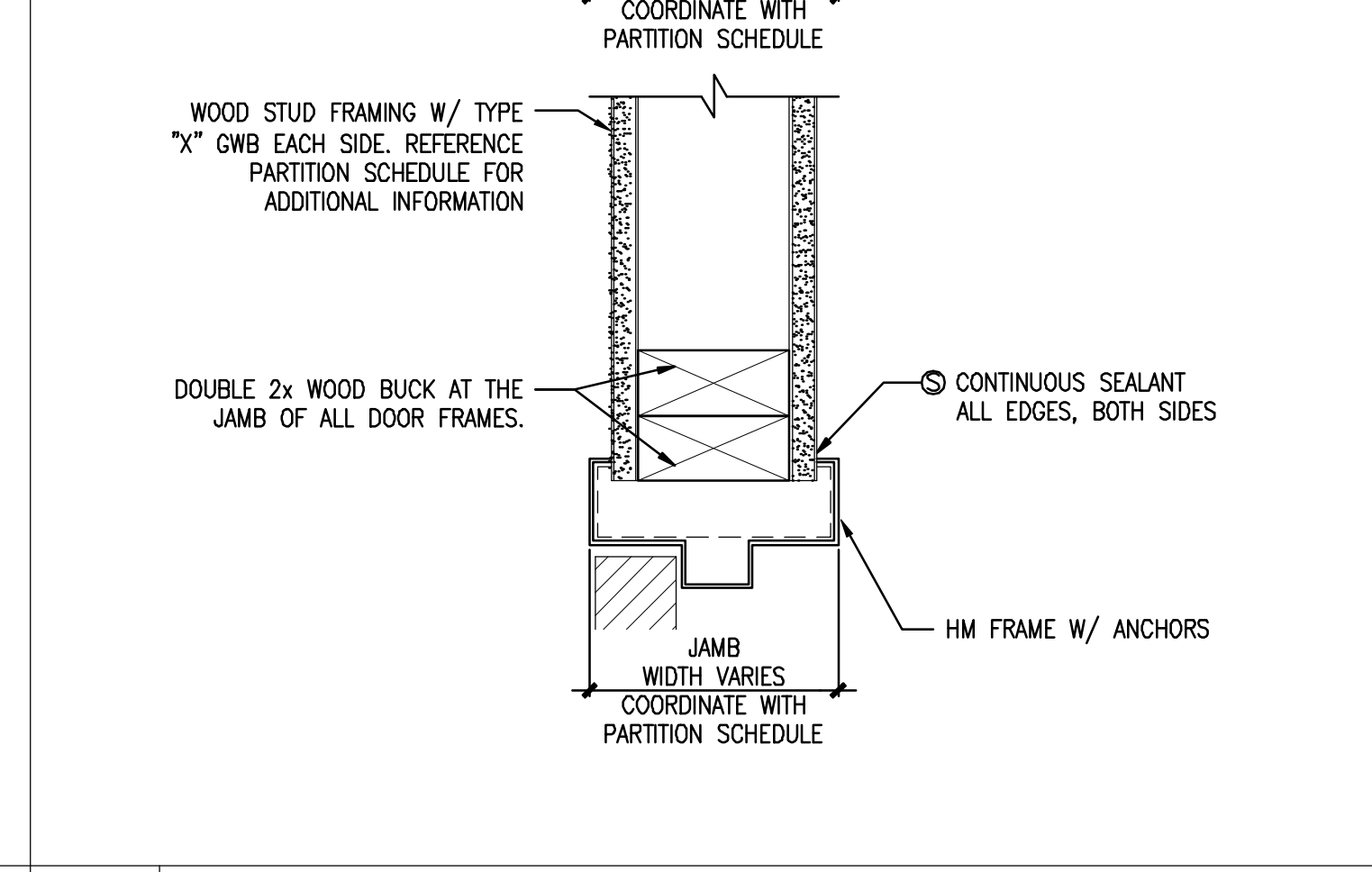
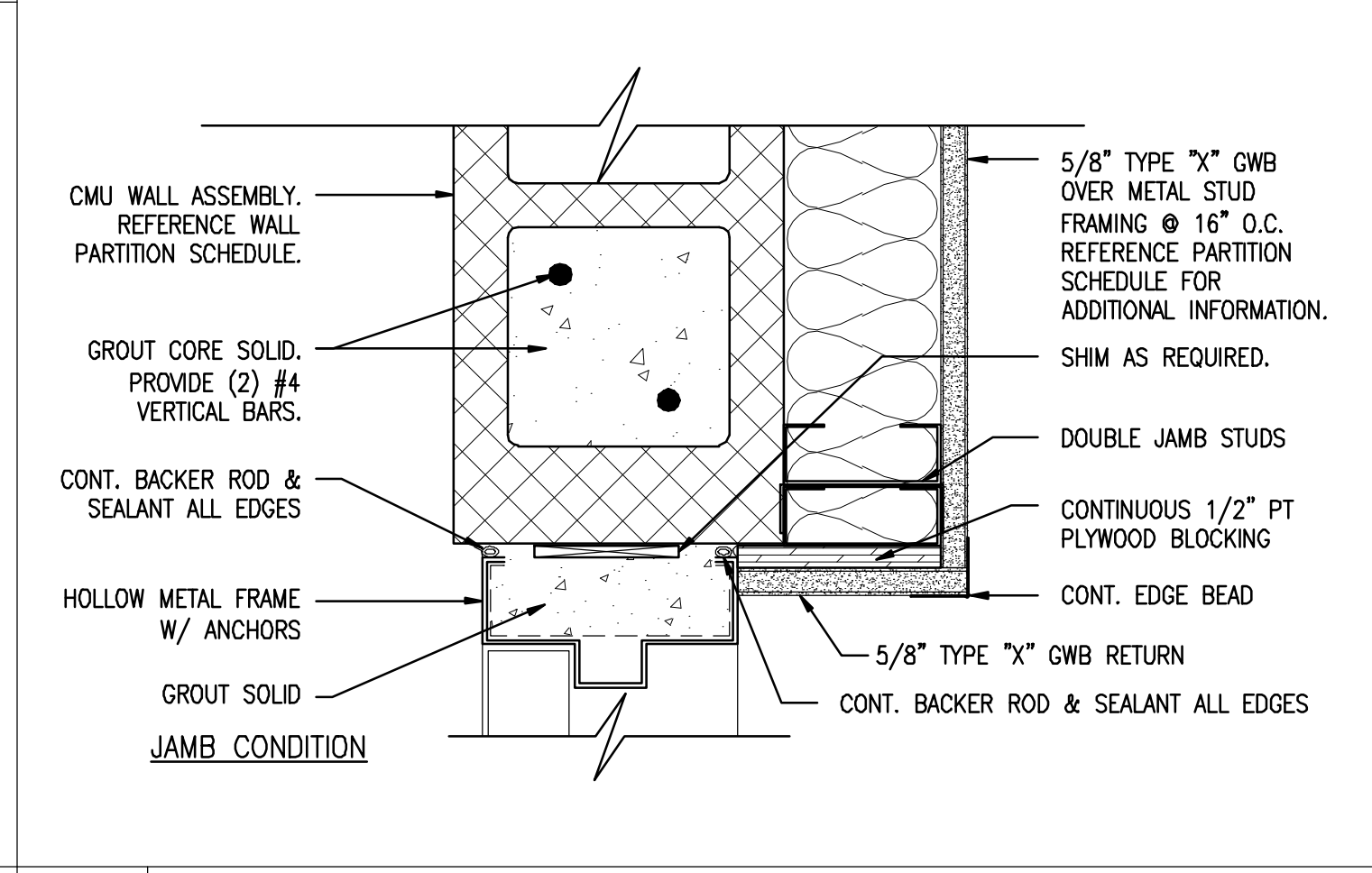
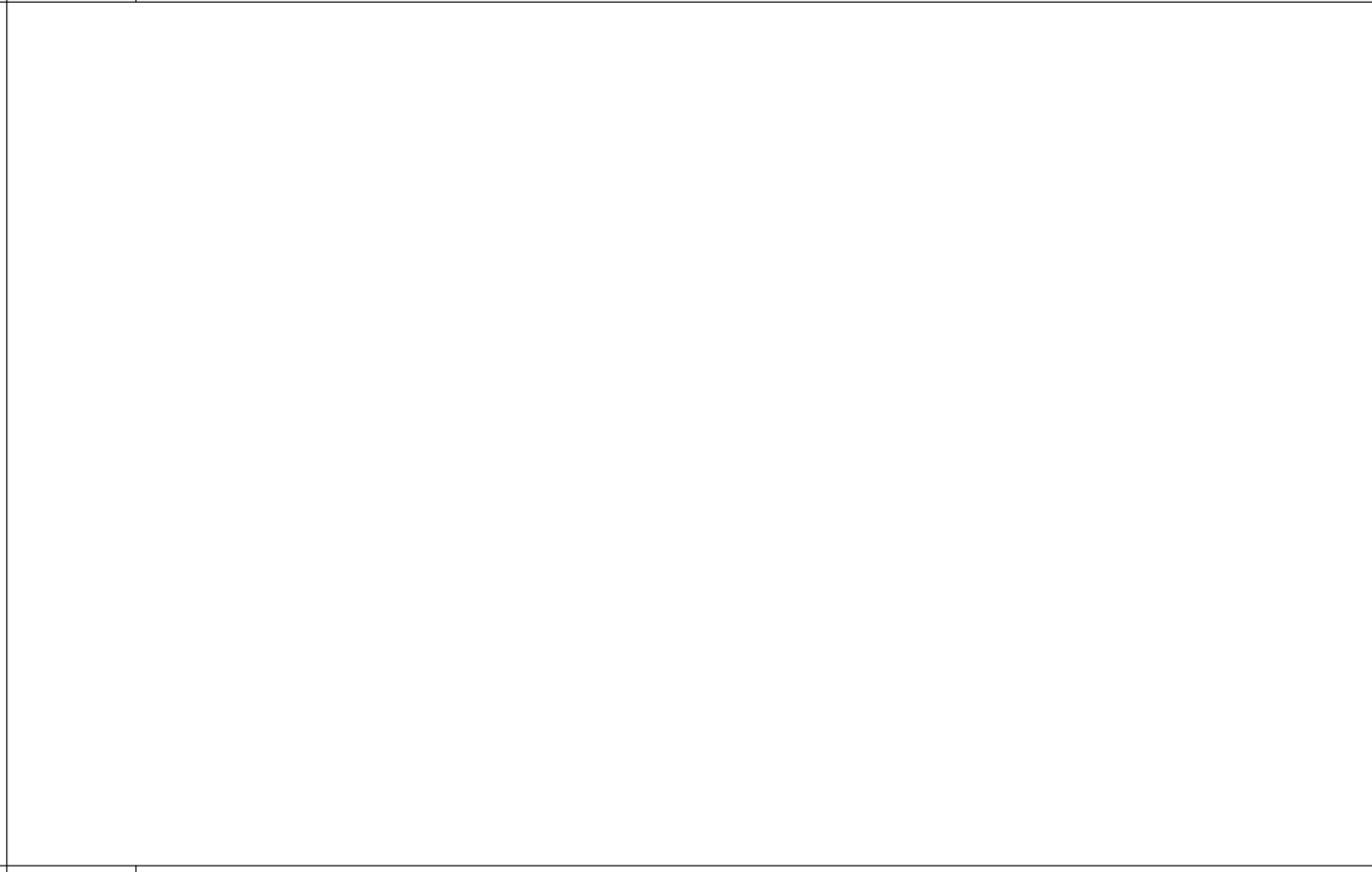
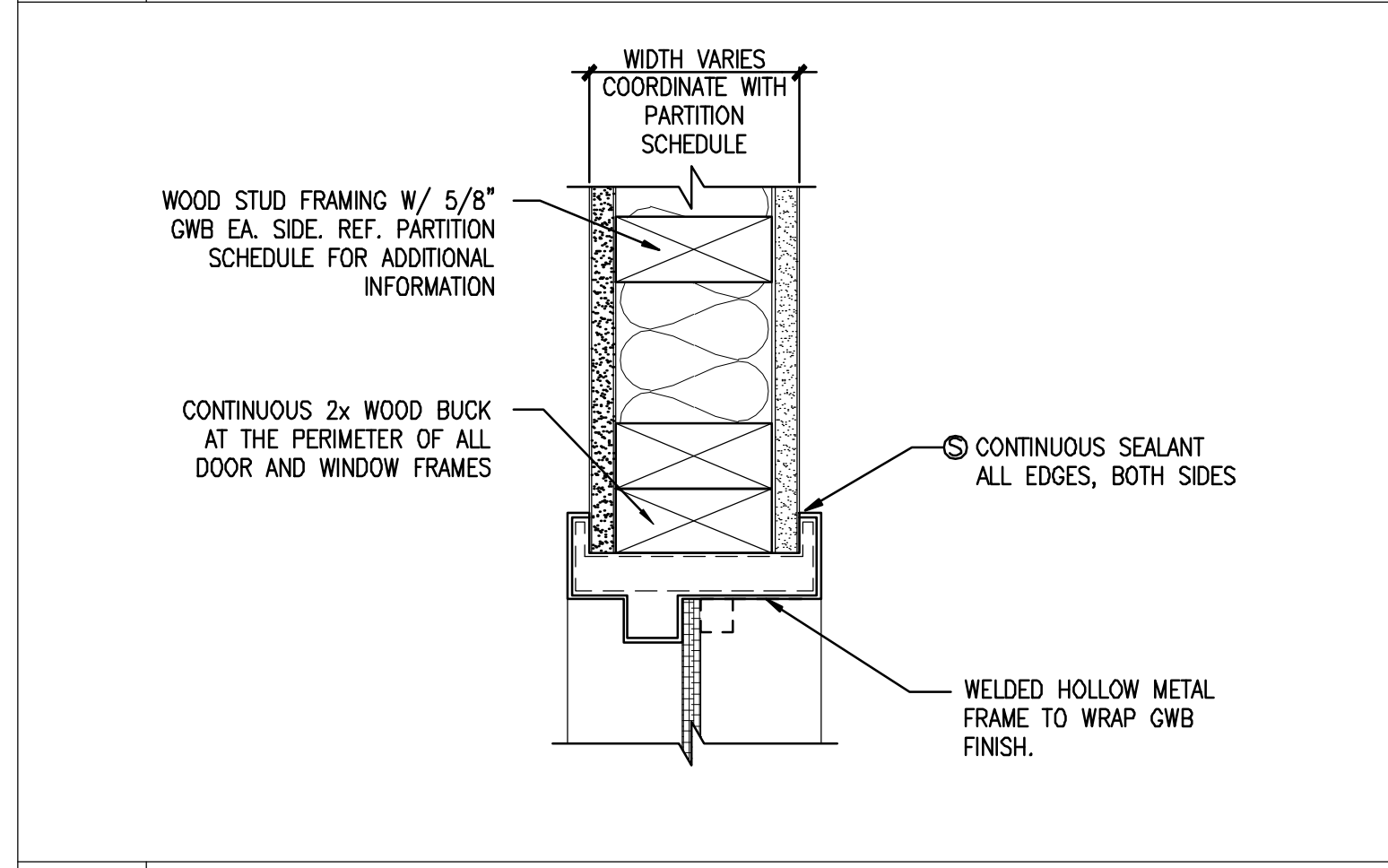
**1** DETAIL @  
REFERENCED FROM: SCALE:

**2** DETAIL @  
REFERENCED FROM: SCALE:

**5** JAMB DETAIL @ HM WINDOW  
REFERENCED FROM: SCALE: 3" = 1'-0"

**6** DETAIL @  
REFERENCED FROM: SCALE:

**7** HEAD & JAMB DET'S @ CMU WALL ASSEMBLY  
REFERENCED FROM: SCALE: 3" = 1'-0"

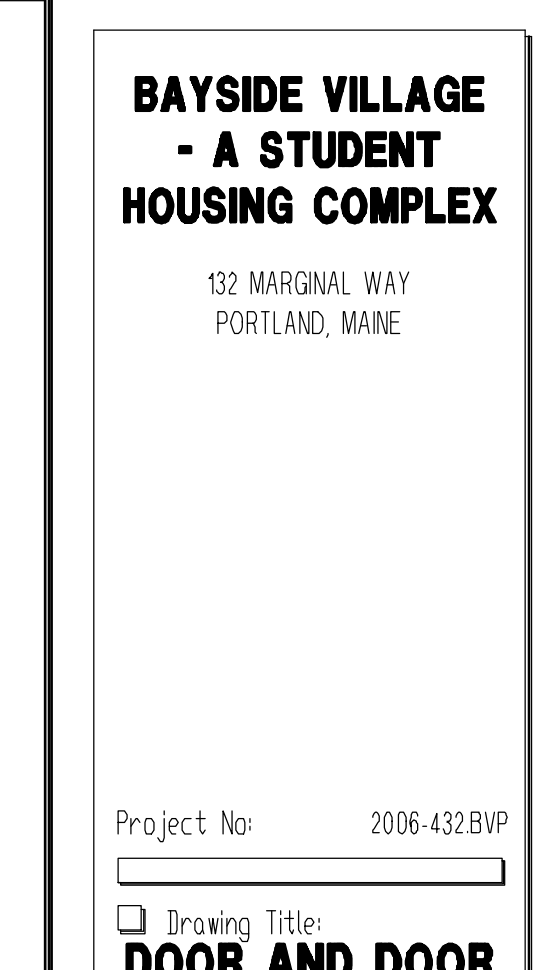
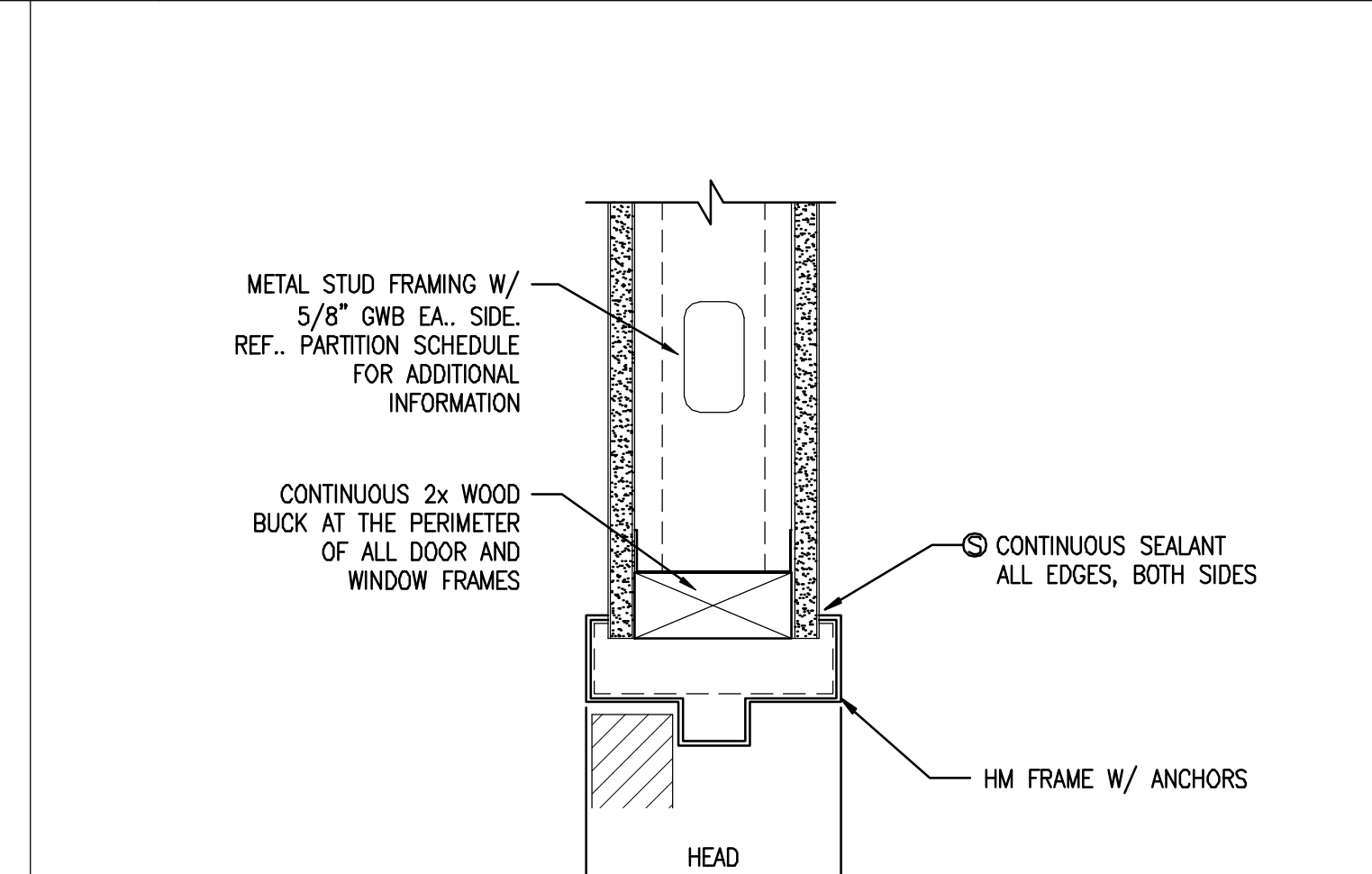
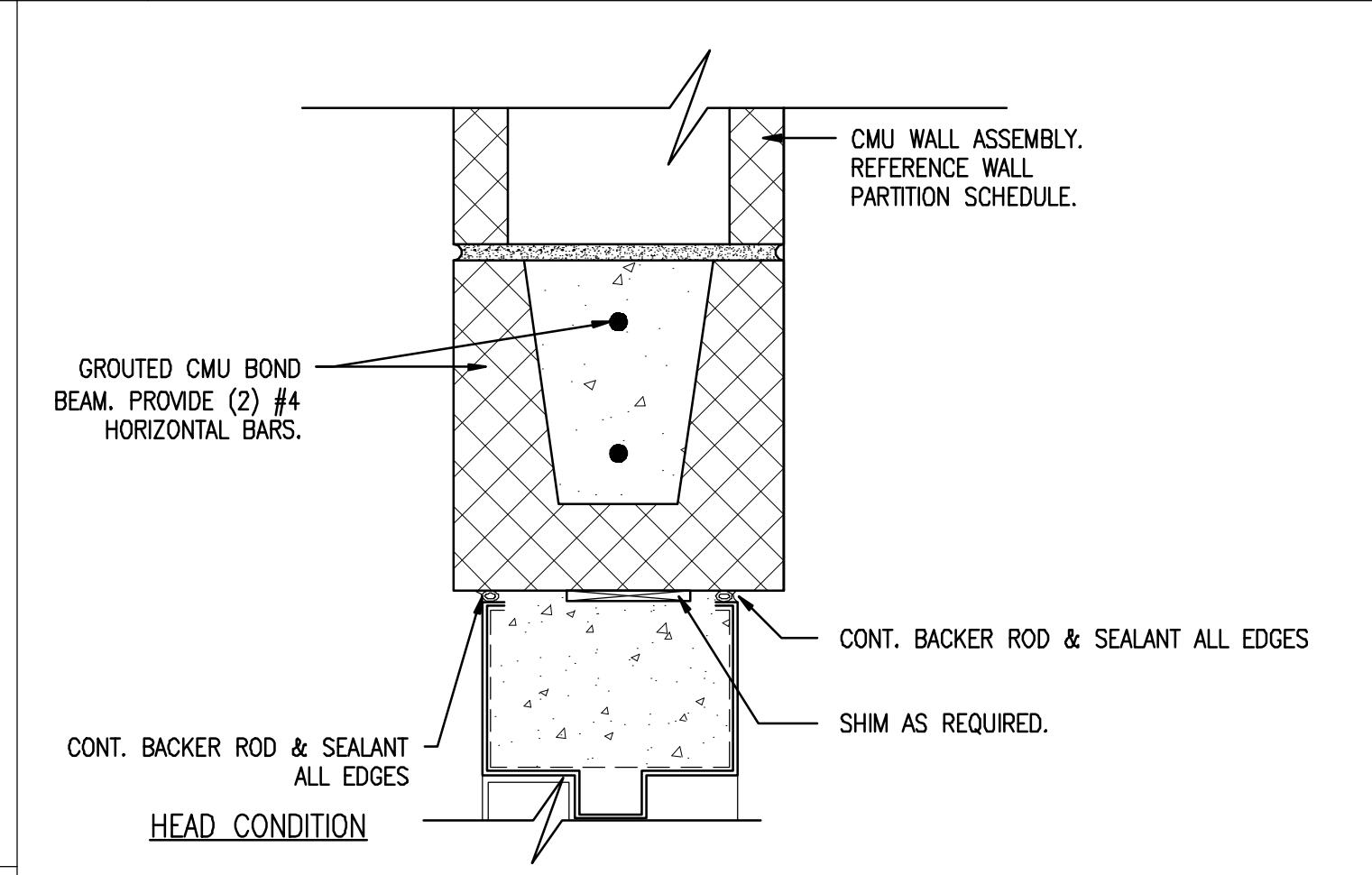
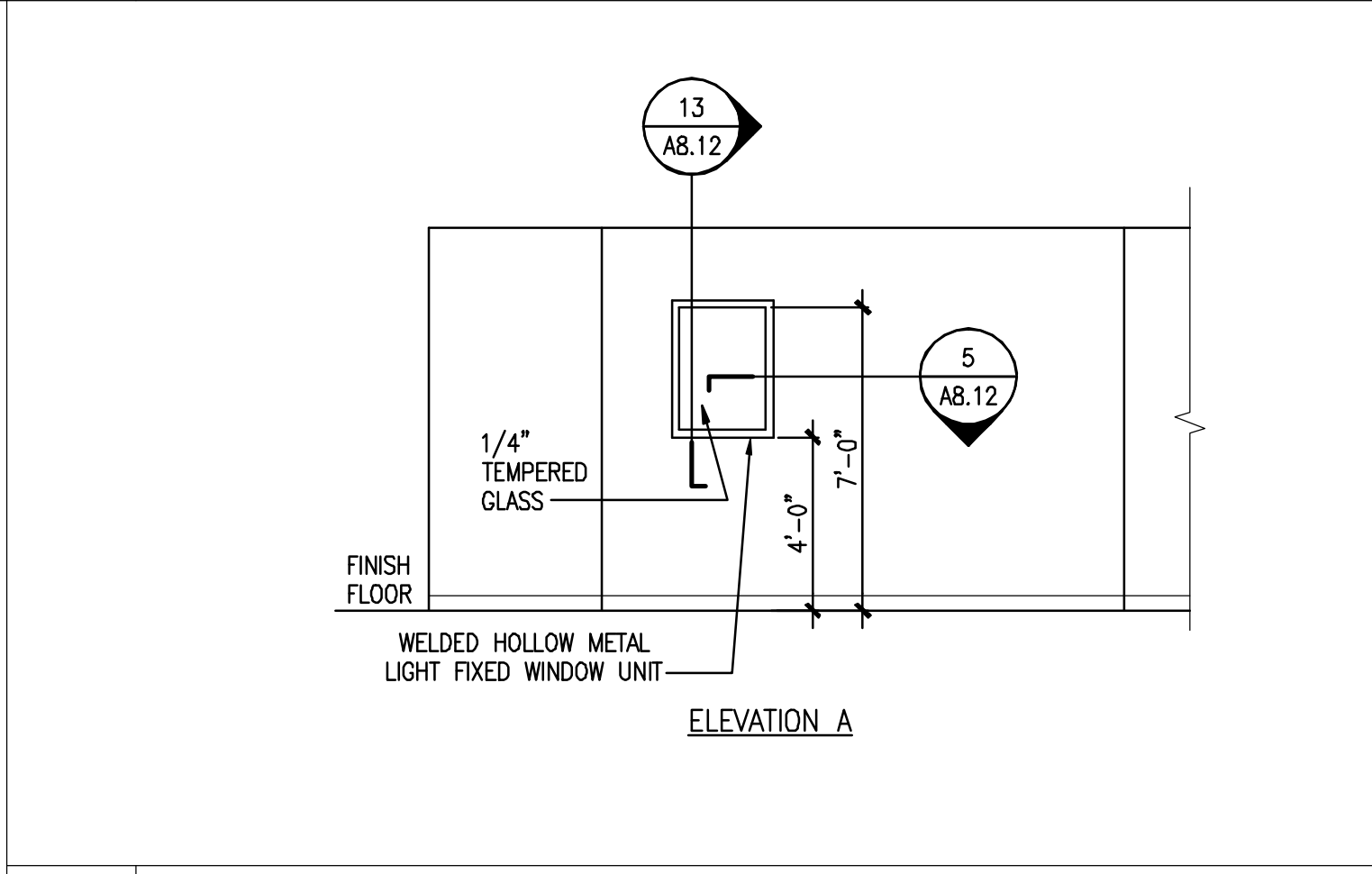
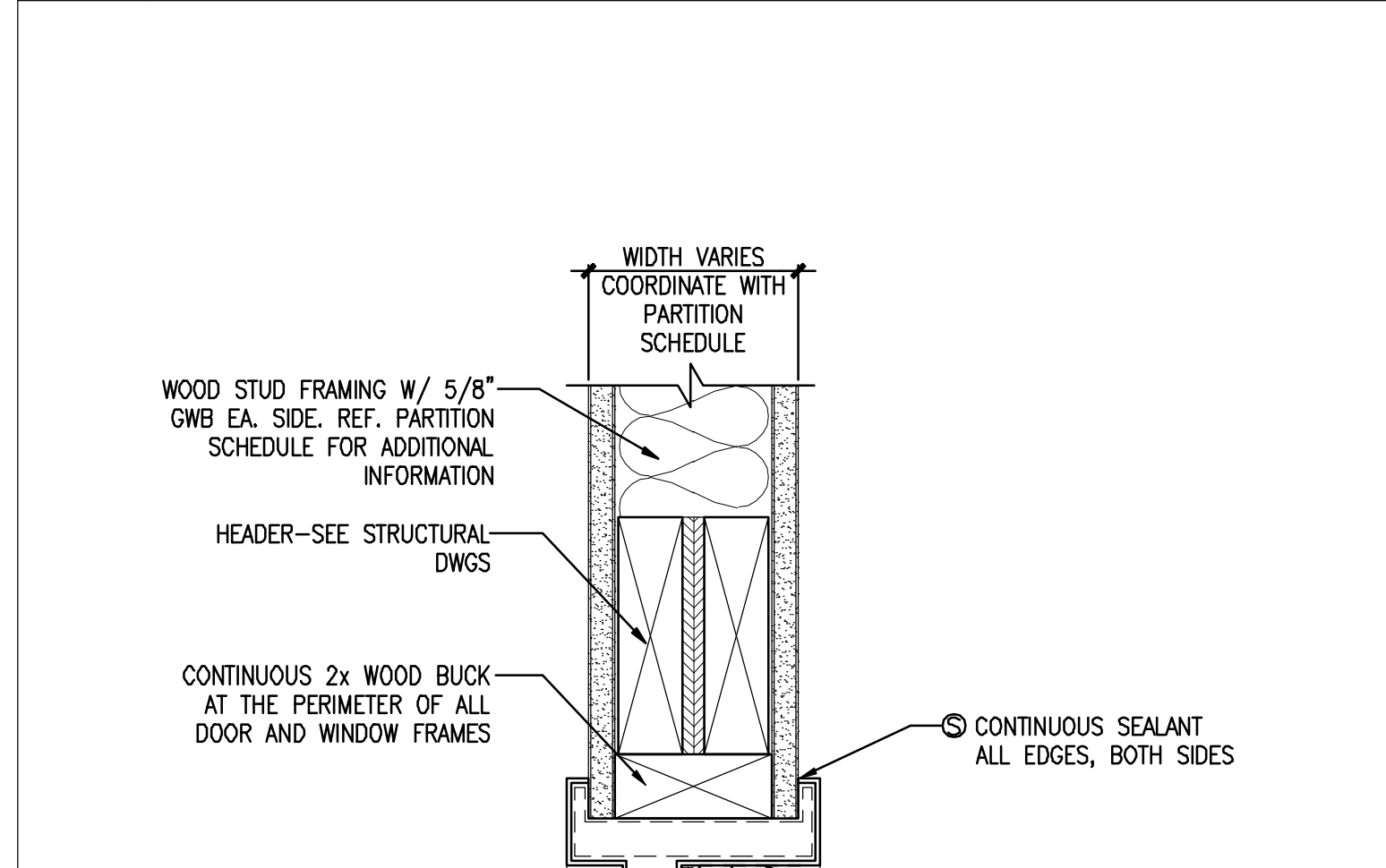


**5** JAMB DETAIL @ HM WINDOW  
REFERENCED FROM: SCALE: 3" = 1'-0"

**6** DETAIL @  
REFERENCED FROM: SCALE:

**7** HEAD & JAMB DET'S @ CMU WALL ASSEMBLY  
REFERENCED FROM: SCALE: 3" = 1'-0"

**8** HEAD & JAMB DET'S @ WOOD STUD FRAMING  
REFERENCED FROM: SCALE: 3" = 1'-0"

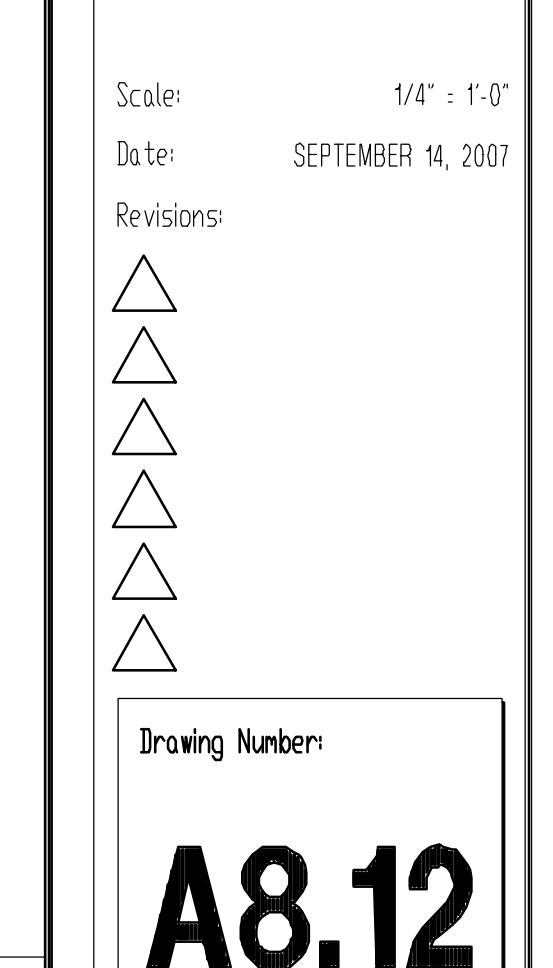
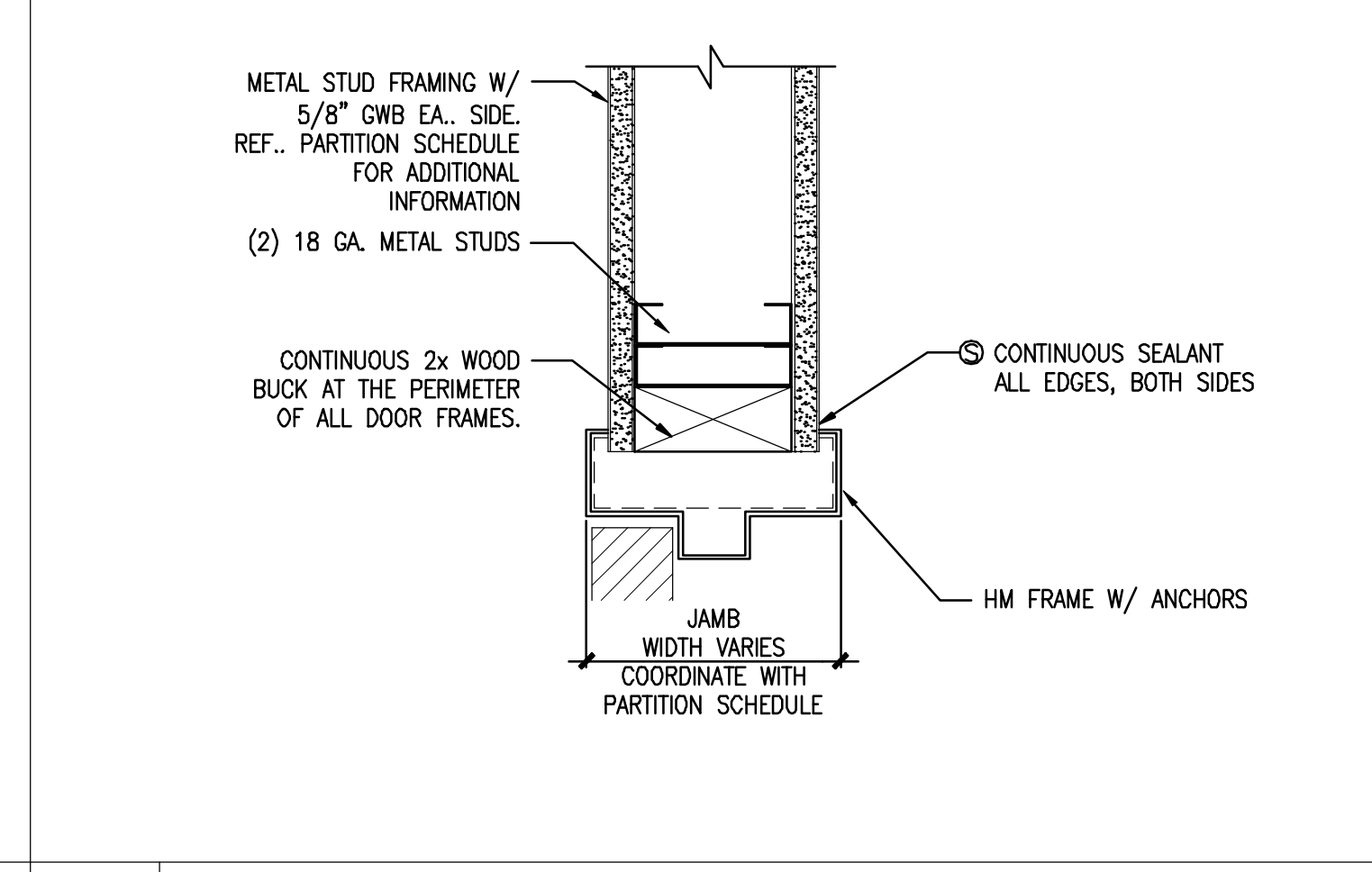
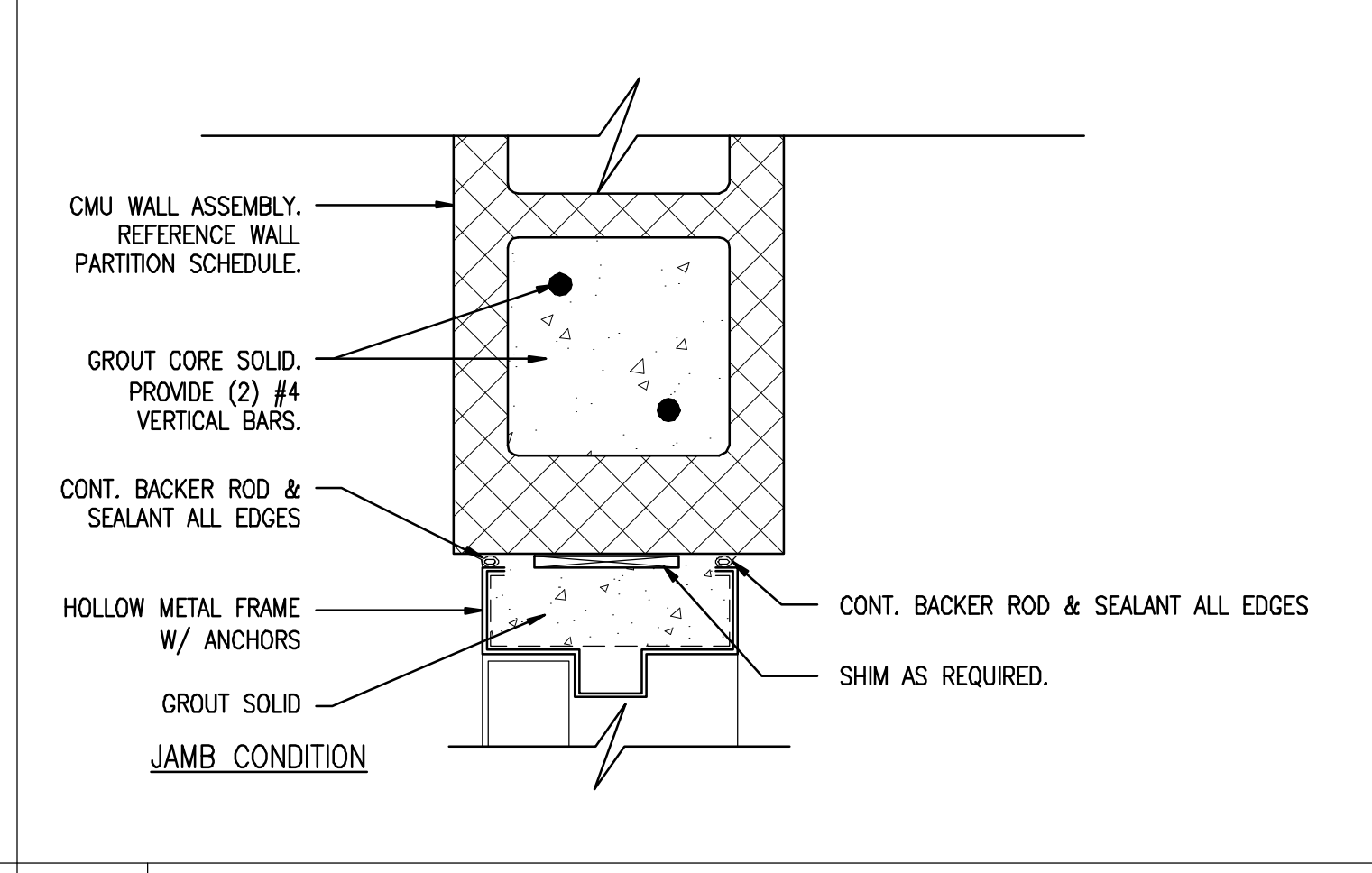
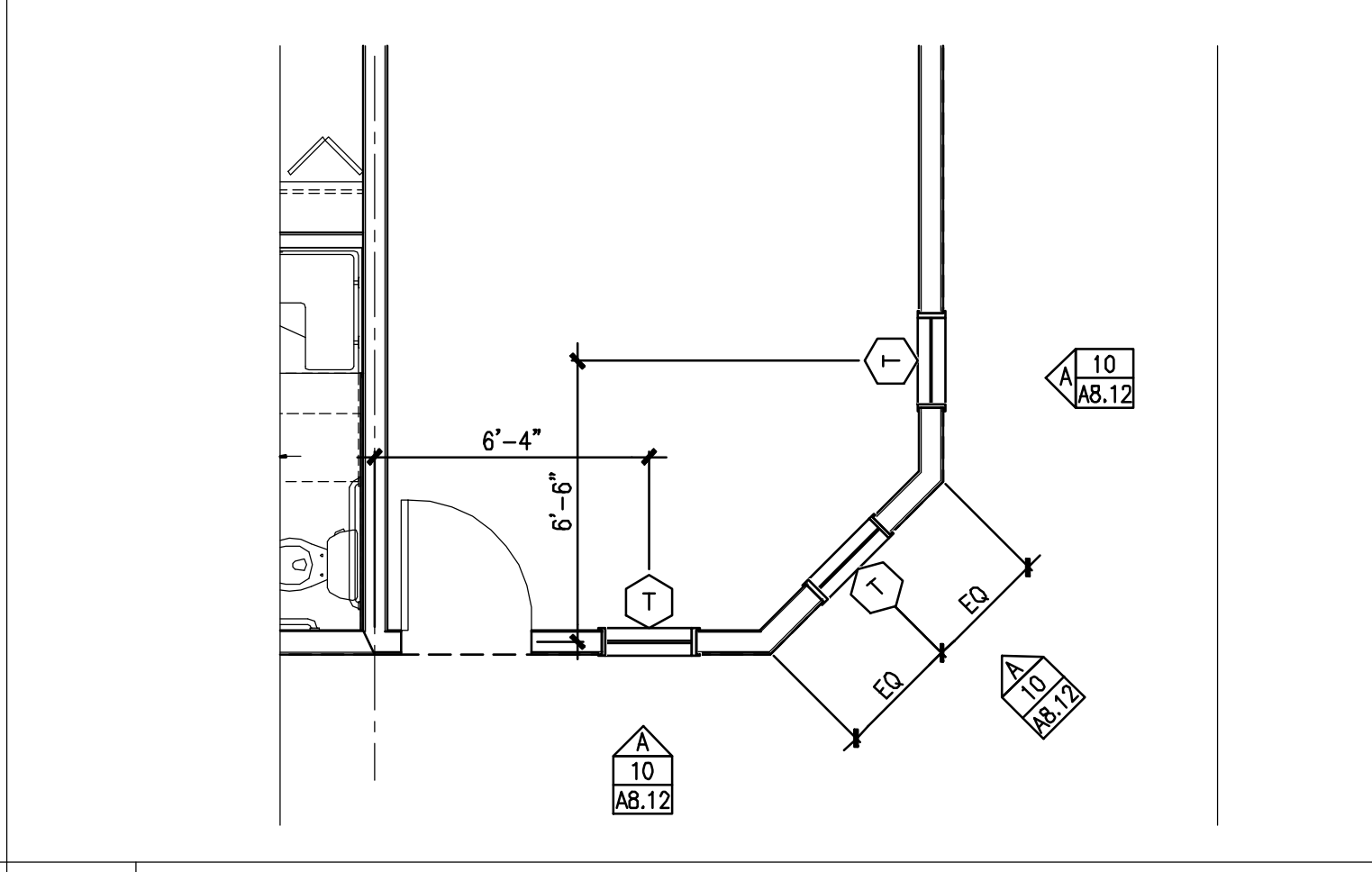
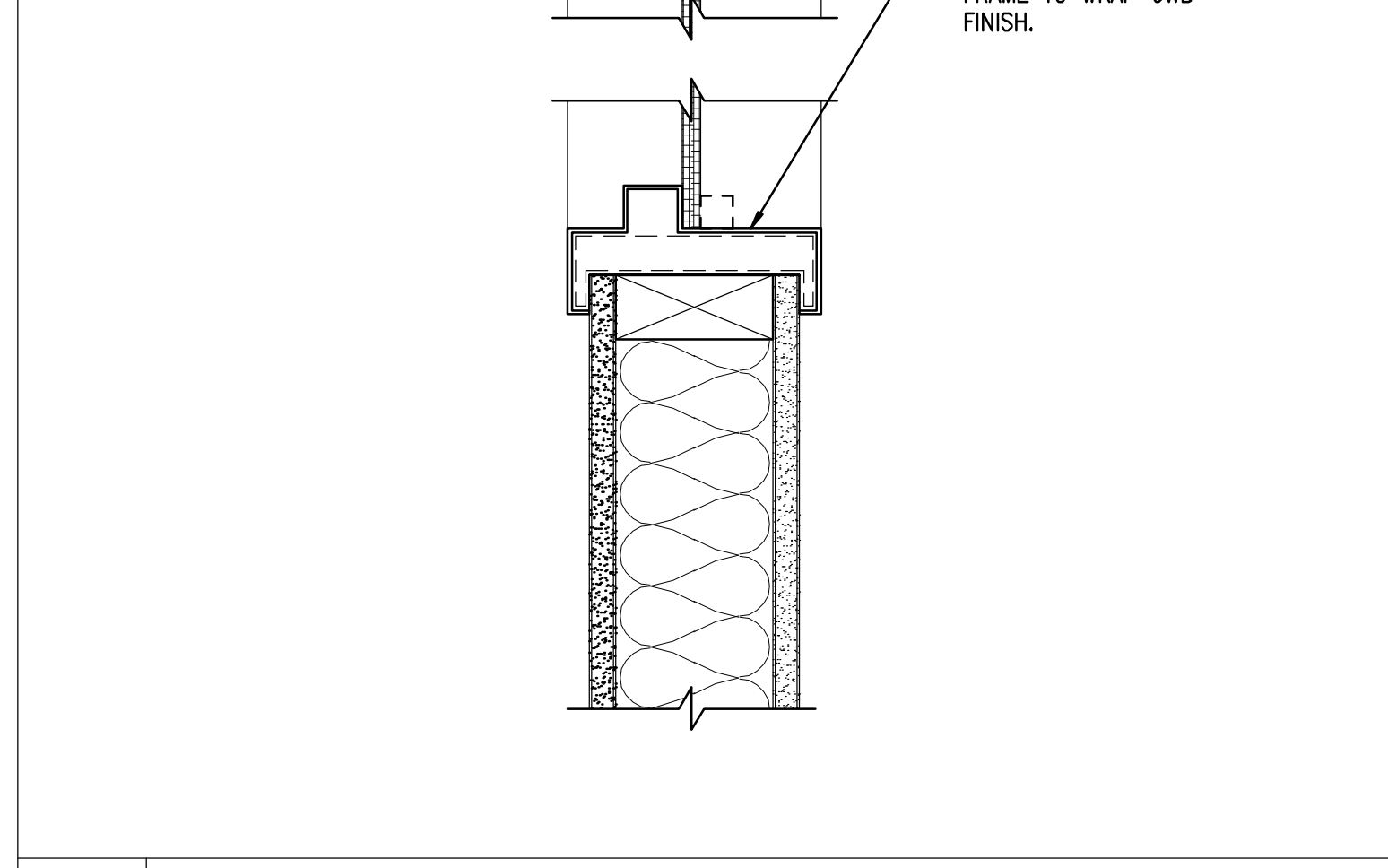


**5** JAMB DETAIL @ HM WINDOW  
REFERENCED FROM: SCALE: 3" = 1'-0"

**6** DETAIL @  
REFERENCED FROM: SCALE:

**7** HEAD & JAMB DET'S @ CMU WALL ASSEMBLY  
REFERENCED FROM: SCALE: 3" = 1'-0"

**8** HEAD & JAMB DET'S @ WOOD STUD FRAMING  
REFERENCED FROM: SCALE: 3" = 1'-0"



**13** HEAD AND SILL DETAIL @ HM WINDOW  
REFERENCED FROM: SCALE: 3" = 1'-0"

**14** ENLARGED PLAN @ OFFICE WINDOWS  
REFERENCED FROM: SCALE: 1/4" = 1'-0"

**15** HEAD & JAMB DET'S @ CMU WALL ASSEMBLY  
REFERENCED FROM: SCALE: 3" = 1'-0"

**16** HEAD & JAMB DET'S @ METAL STUD FRAMING  
REFERENCED FROM: SCALE: 3" = 1'-0"



**CWS Architects**  
Architecture  
Space Planning  
Value Design

434 Cumberland Avenue  
Portland, ME 04101  
Phone: (207) 774-4441  
Fax: (207) 774-4016  
www.CWSarch.com

REGISTERED ARCHITECT  
BENEDICT WALTER  
NO. 1947  
STATE OF MAINE

Owner: **SOUTHERN MAINE STUDENT HOUSING LLC**  
247 COMMERCIAL STREET  
ROCKPORT, MAINE 04856  
TEL: (207) 236-4067

Contractor: **PIZZAGALLI CONSTRUCTION**  
131 PRESUMPSCOT STREET  
PORTLAND, ME 04103  
TEL: (207) 874-2323  
FAX: (207) 874-2727

**BAYSIDE VILLAGE - A STUDENT HOUSING COMPLEX**  
132 MARGINAL WAY  
PORTLAND, MAINE

Project No: 2006-432/BVP

Drawing Title: **DOOR AND DOOR FRAME DETAILS**

Scale: 1/4" = 1'-0"  
Date: SEPTEMBER 14, 2007

Revisions:

Drawing Number: **A8.12**

ISSUED FOR CONSTRUCTION