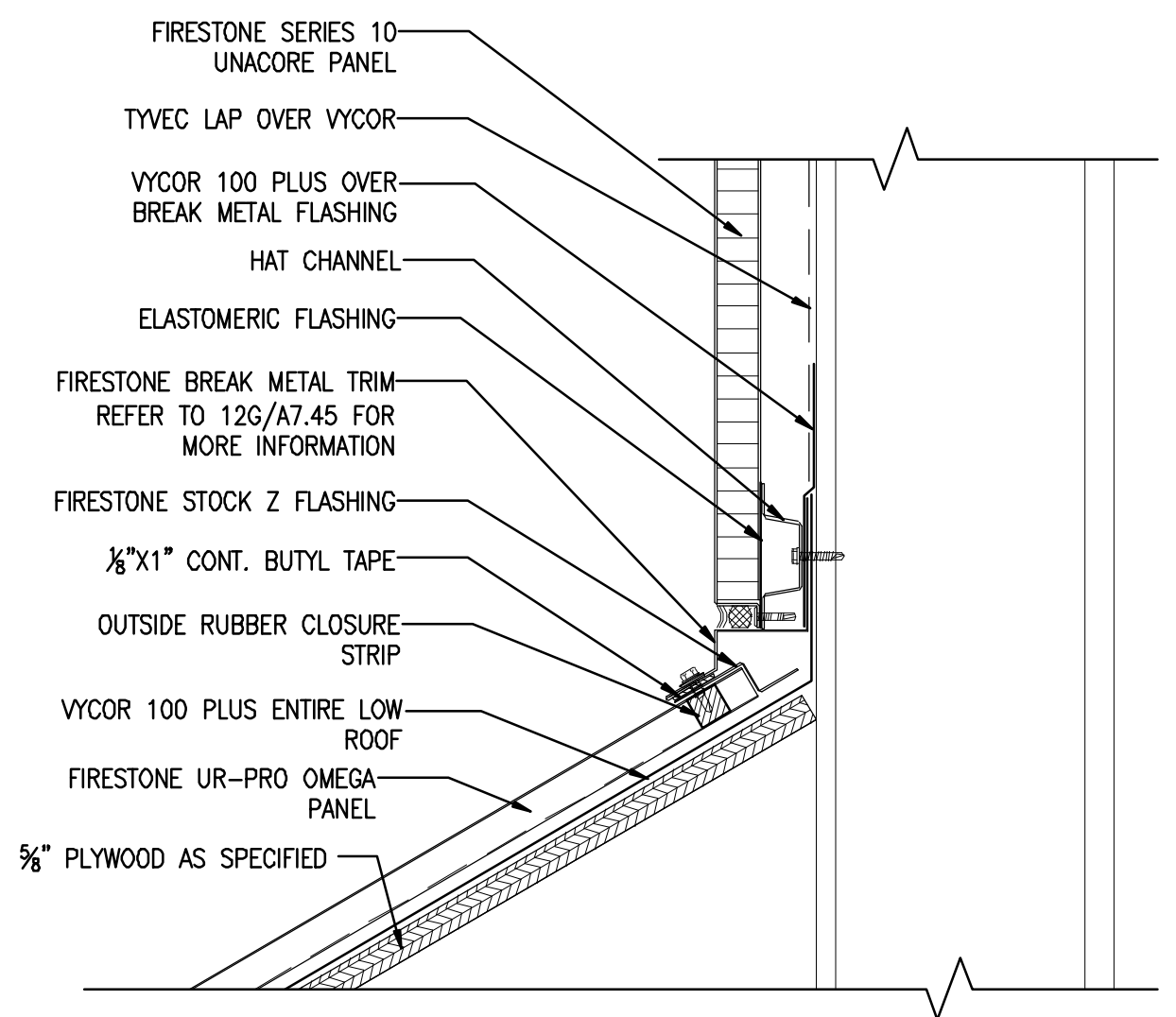
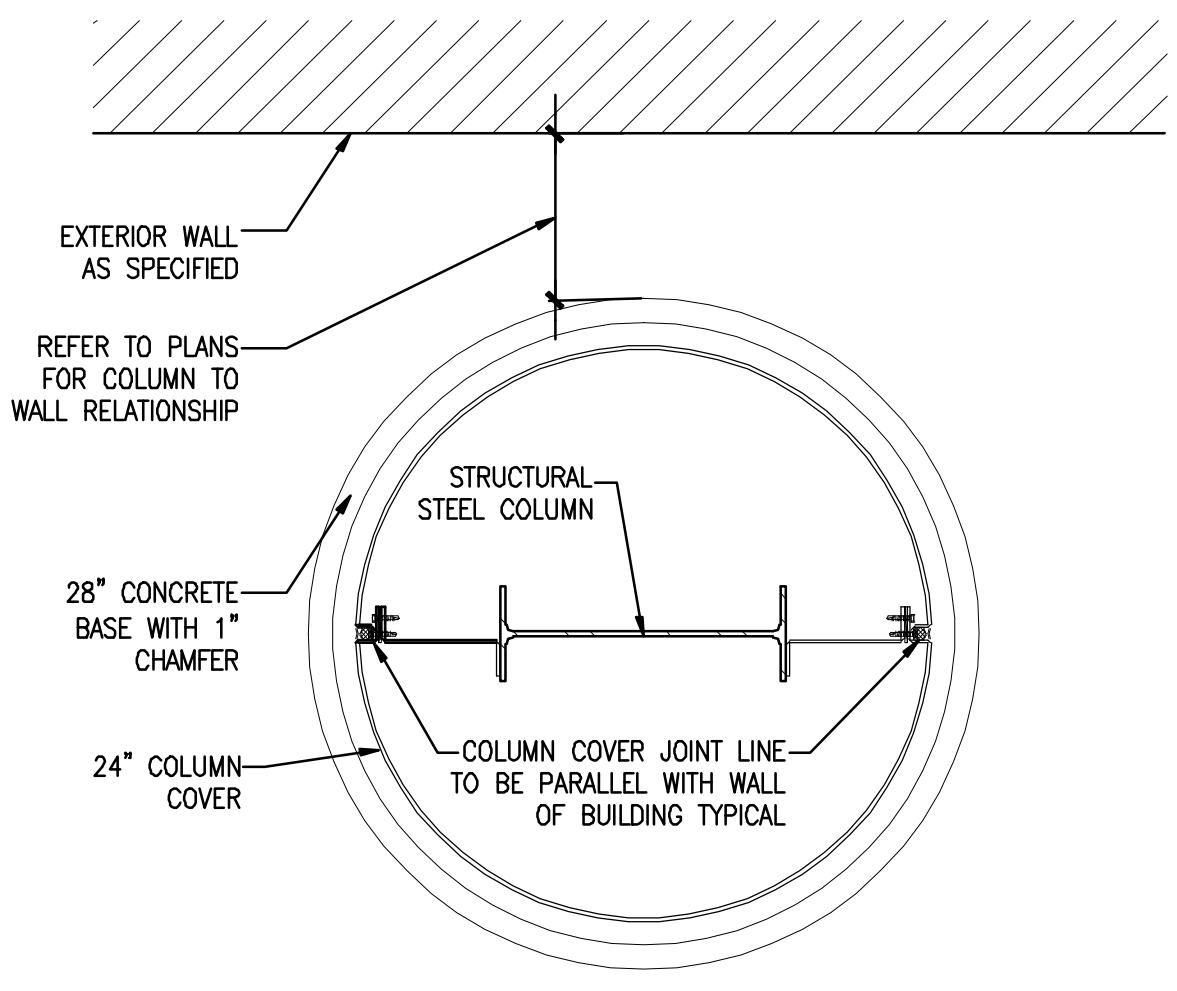


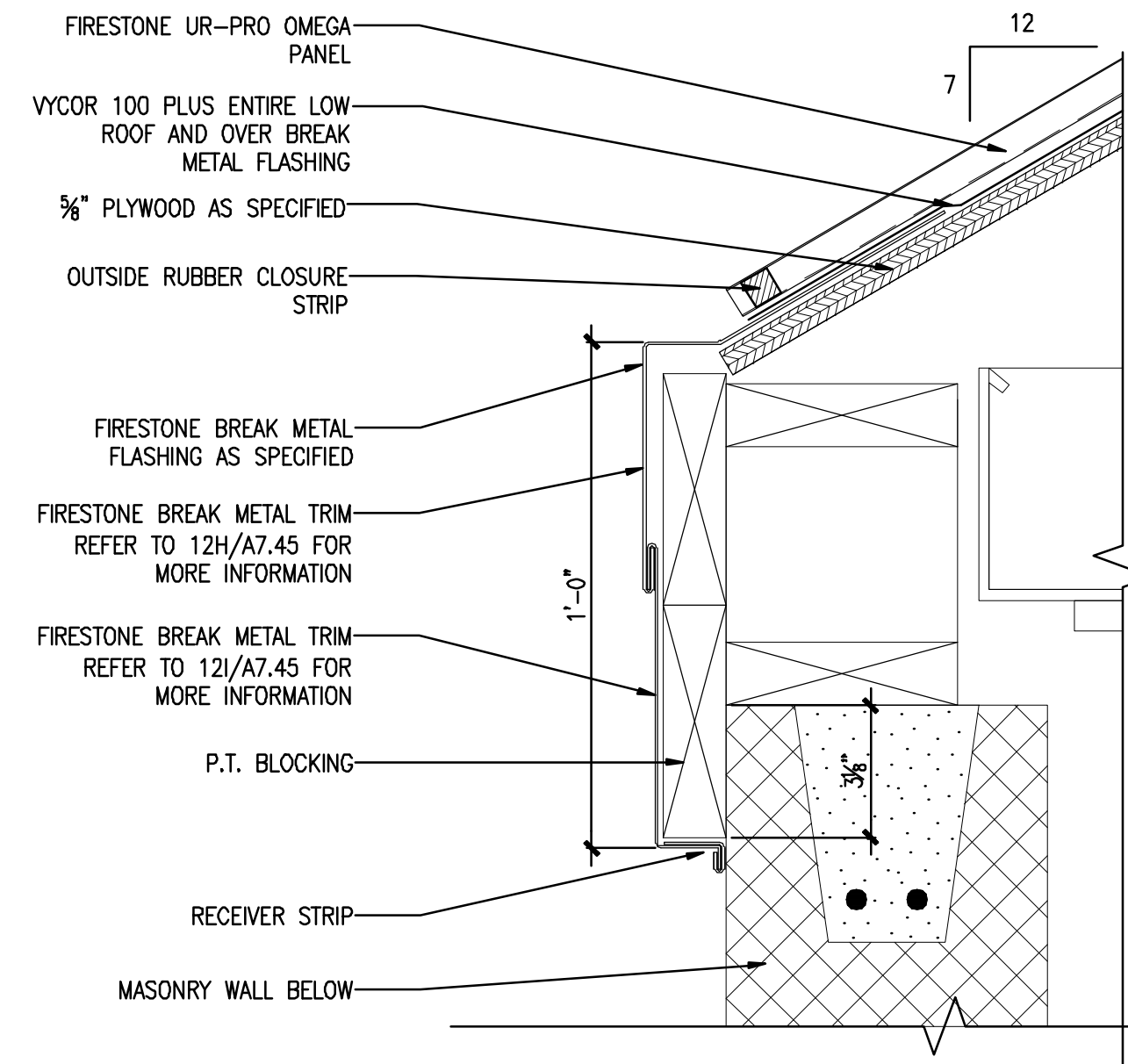
**1** SLOPE ROOF EDGE DETAIL  
UR-PRO OMEGA ROOF PANEL AND GFR/P ACCENT BAND SCALE: 3" = 1'-0"



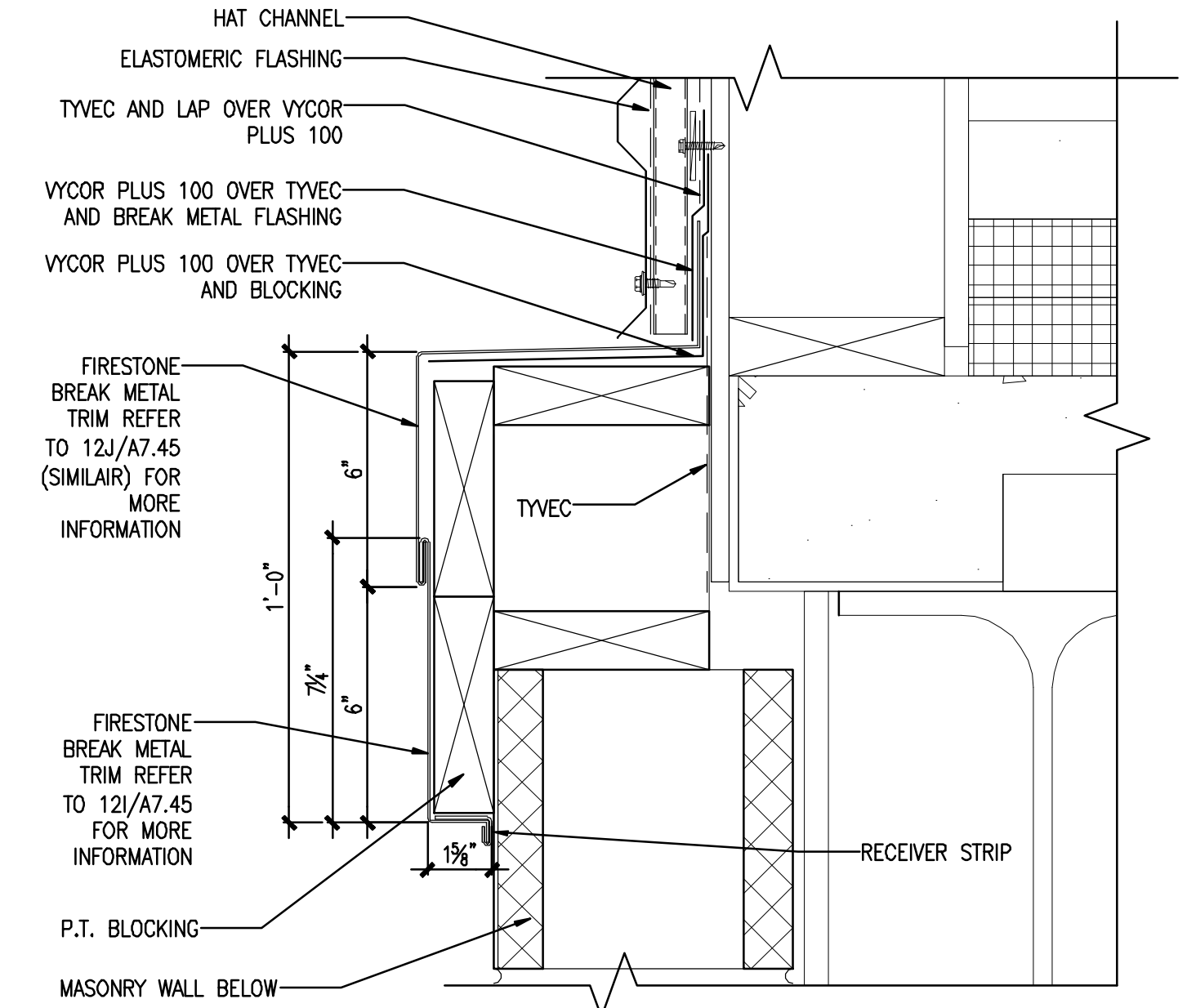
**2** SLOPE ROOF WALL DETAIL  
UR-PRO OMEGA PANEL (ROOF) SERIES 100 (WALL) SCALE: 3" = 1'-0"



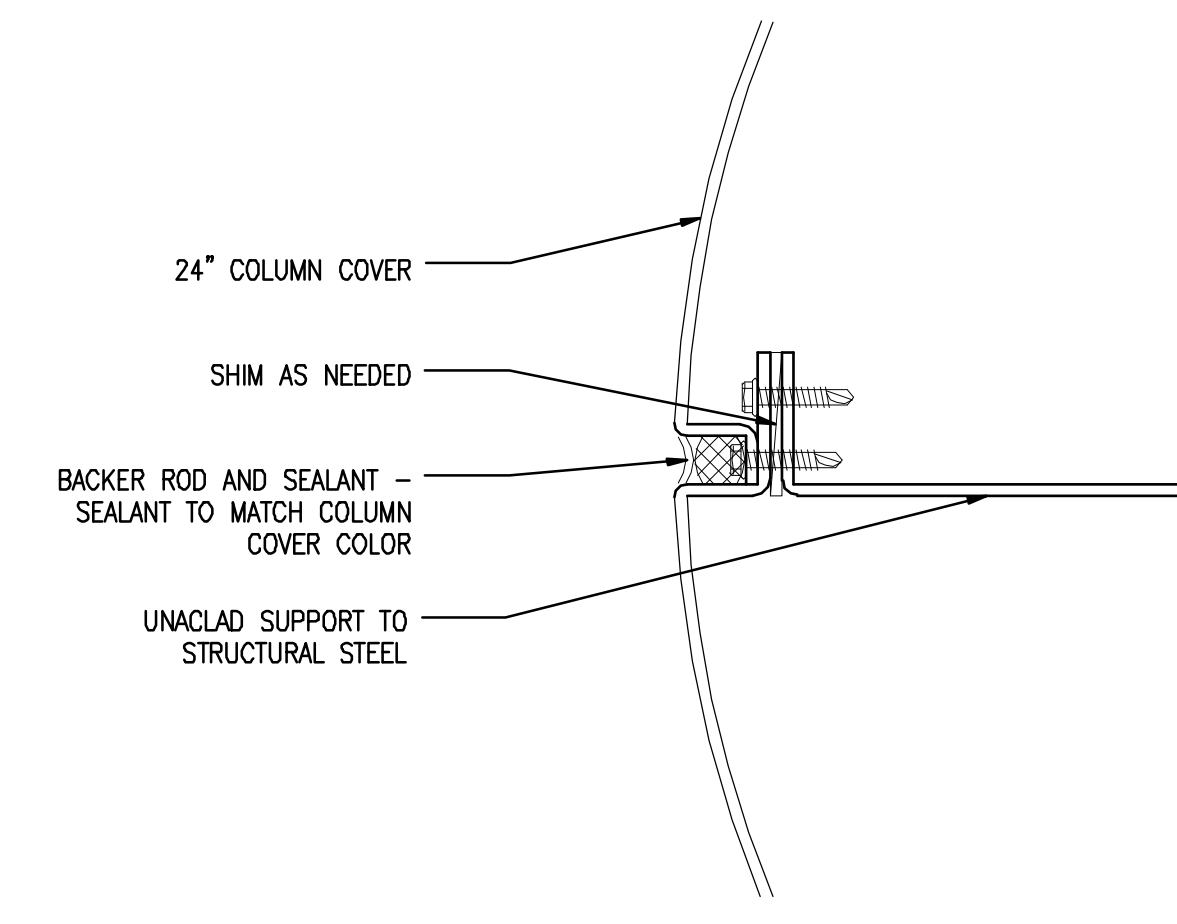
**3** COLUMN SECTION DETAIL SCALE: 1 1/2" = 1'-0"



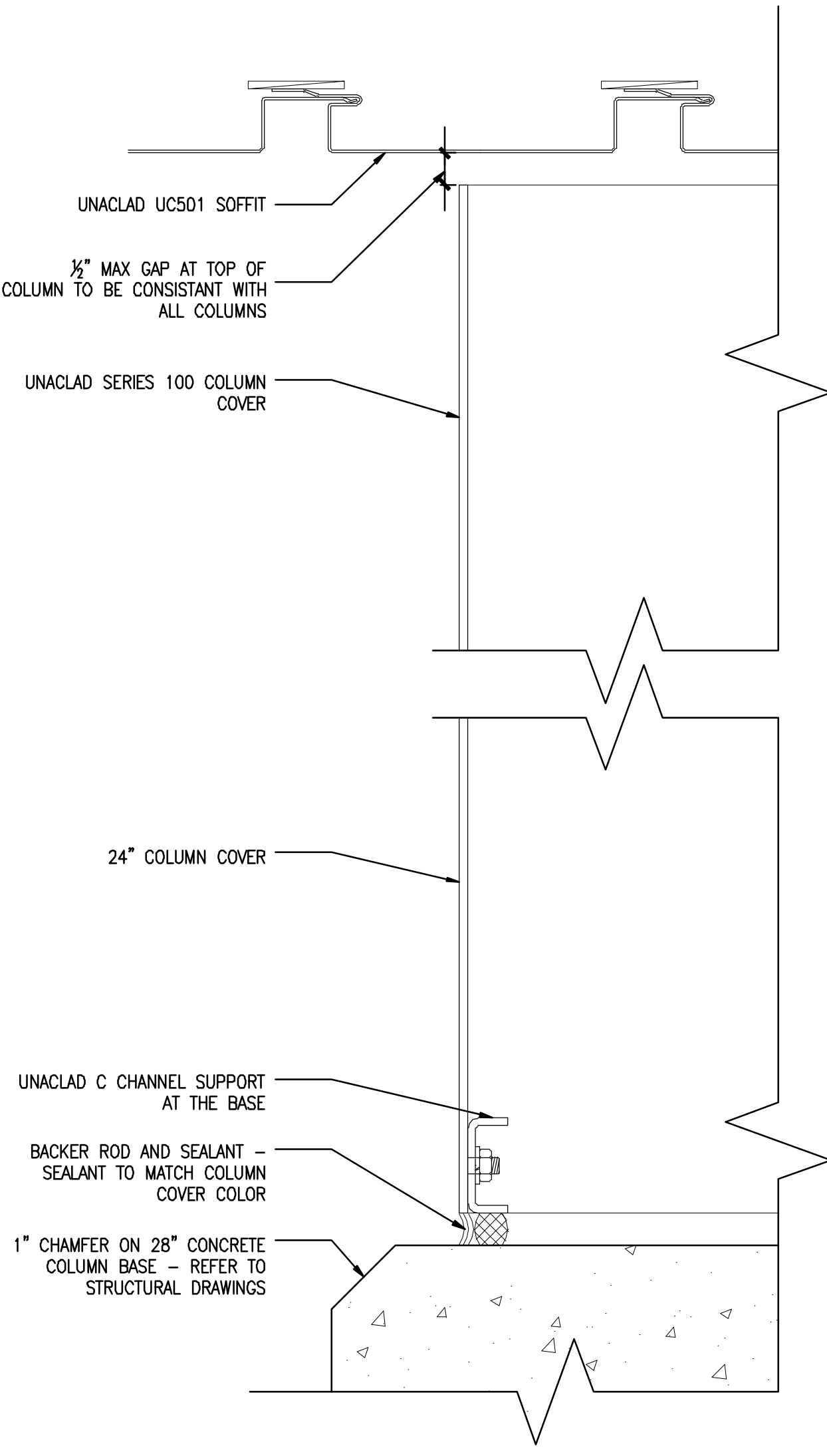
**5** SLOPE ROOF ALTERNATE EDGE DETAIL  
REFERENCED FROM: SCALE: 3" = 1'-0"



**6** ACCENT BAND DETAIL  
BREAK METAL ACCENT BAND SCALE: 3" = 1'-0"



**7** COLUMN COVER JOINT DETAIL SCALE: 6" = 1'-0"



**8** COLUMN HEAD AND BASE DETAIL  
REFERENCED FROM: SCALE: 6" = 1'-0"

**9**

SCALE: 6" = 1'-0"

**CWS Architects**  
 Architecture  
 Space Planning  
 Value Design  
 434 Cumberland Avenue  
 Portland, ME 04101  
 Phone: (207) 774-4441  
 Fax: (207) 774-4016  
 www.CWSArch.com

**SOUTHERN MAINE STUDENT HOUSING LLC**  
 247 COMMERCIAL STREET  
 ROCKPORT, MAINE 04856  
 TEL: (207) 236-4067

**PIZZAGALLI CONSTRUCTION**  
 131 PRESUMPSCOT STREET  
 PORTLAND, ME 04103  
 TEL: (207) 874-2323  
 FAX: (207) 874-2727

**BAYSIDE VILLAGE - A STUDENT HOUSING COMPLEX**  
 132 MARGINAL WAY  
 PORTLAND, MAINE

Project No: 2006-432/BVP

Drawing Title:  
**EXTERIOR DETAILS**

Scale: AS NOTED  
 Date: SEPTEMBER 14, 2007

Revisions:  
 △  
 △  
 △  
 △  
 △

Drawing Number:  
**A7.46**