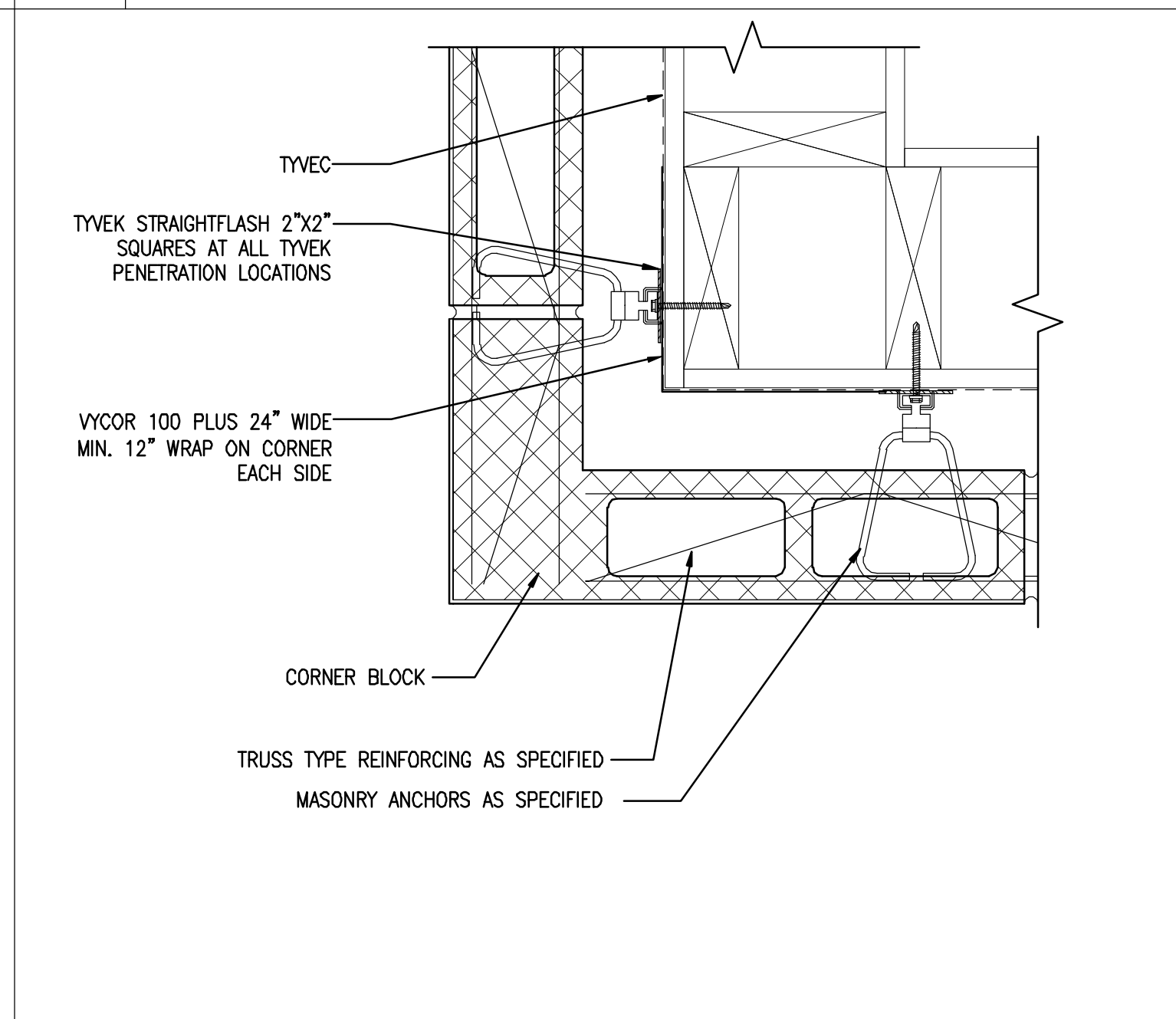
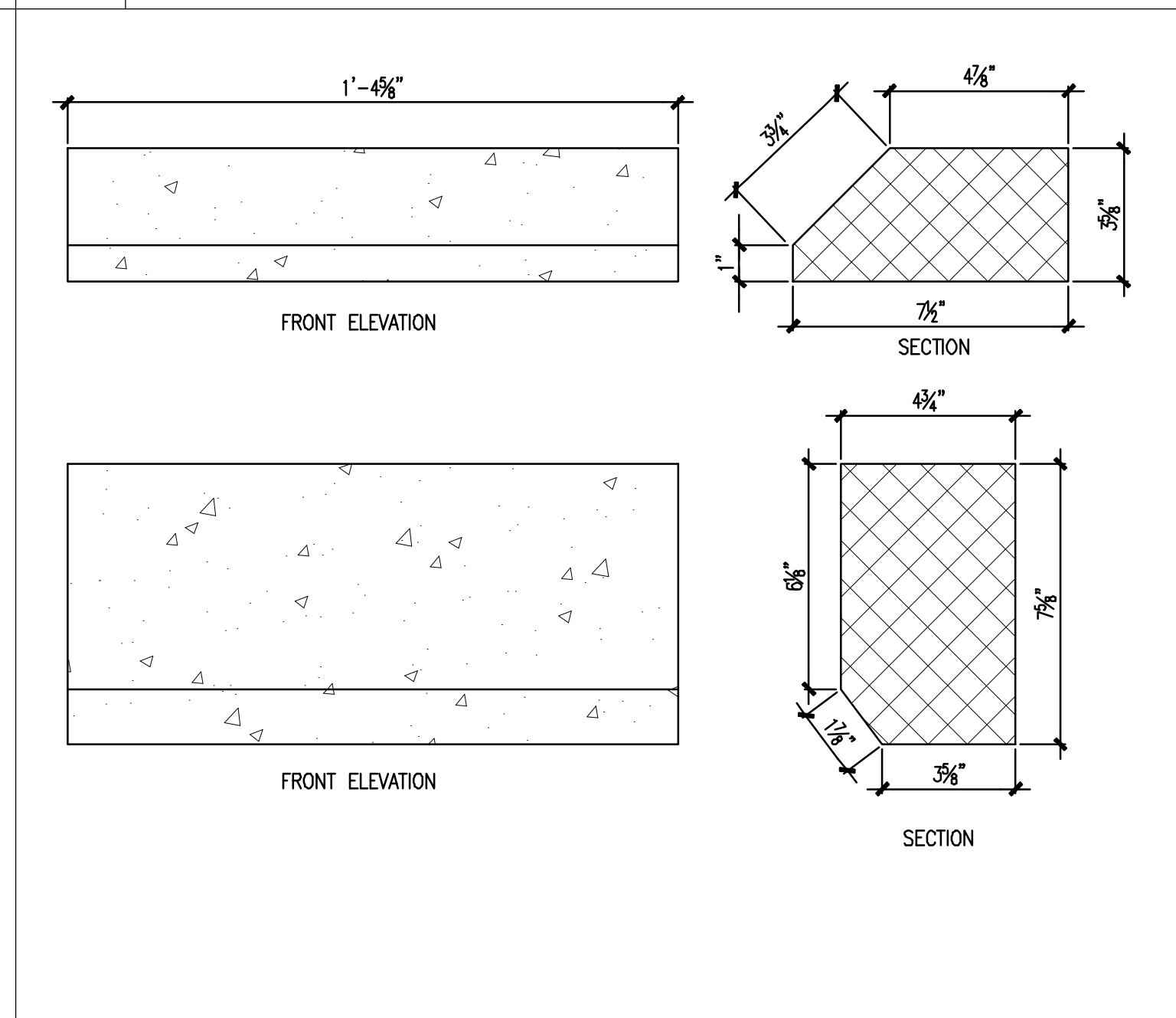
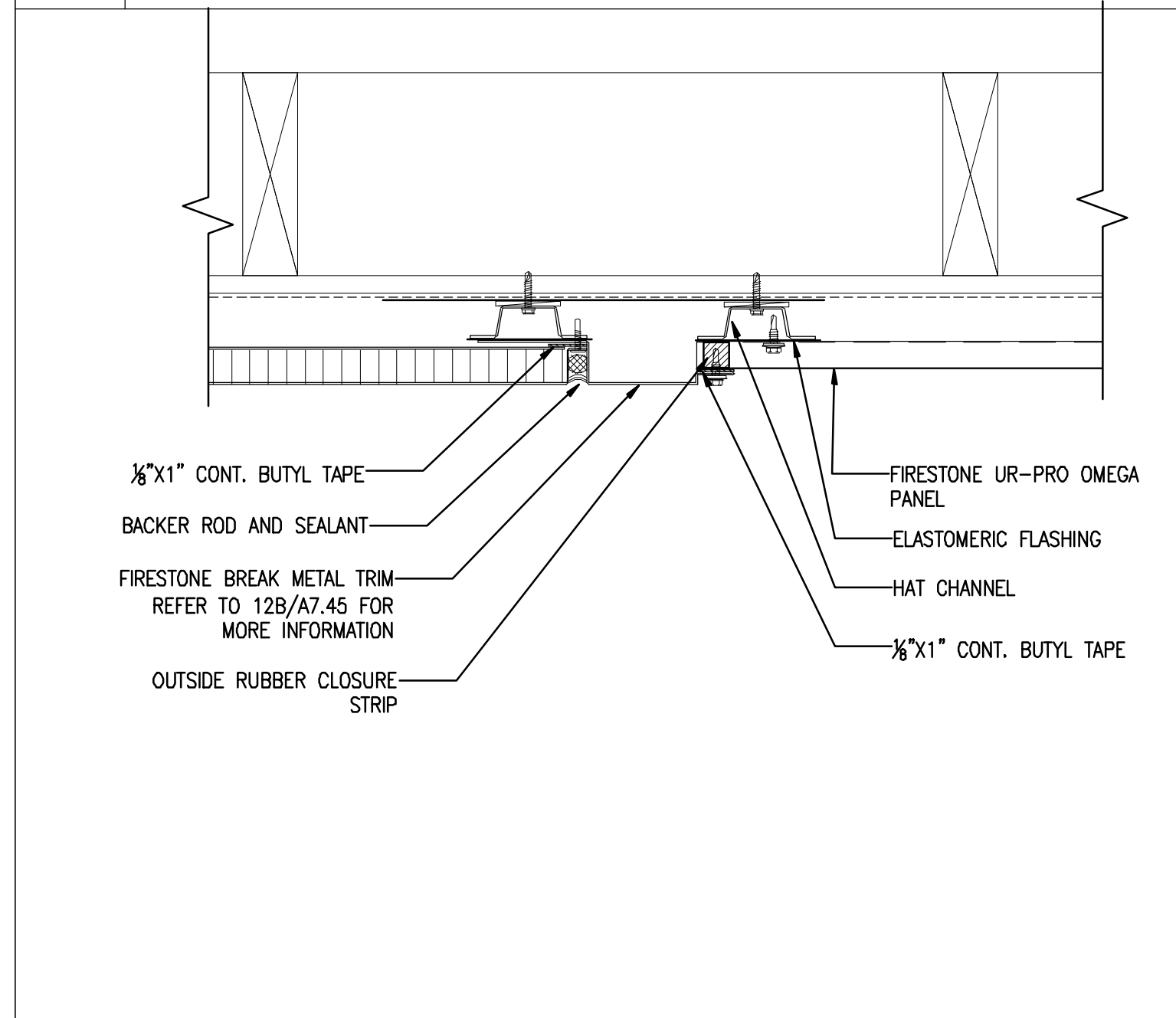


1 OUTSIDE CORNER DETAIL
SERIES 10 UNACLAD PANEL SCALE: 3/8"=1'-0"

2 INSIDE CORNER
SERIES 10 UNACLAD PANEL AT MASONRY WALL SCALE: 3/8"=1'-0"

3 SOFFIT DETAIL
SERIES 10 UNACLAD PANEL SCALE: 3/8"=1'-0"

4 SOFFIT DETAIL
SERIES 10 UNACLAD PANEL AT WALL INTERSECTION SCALE: 3/8"=1'-0"



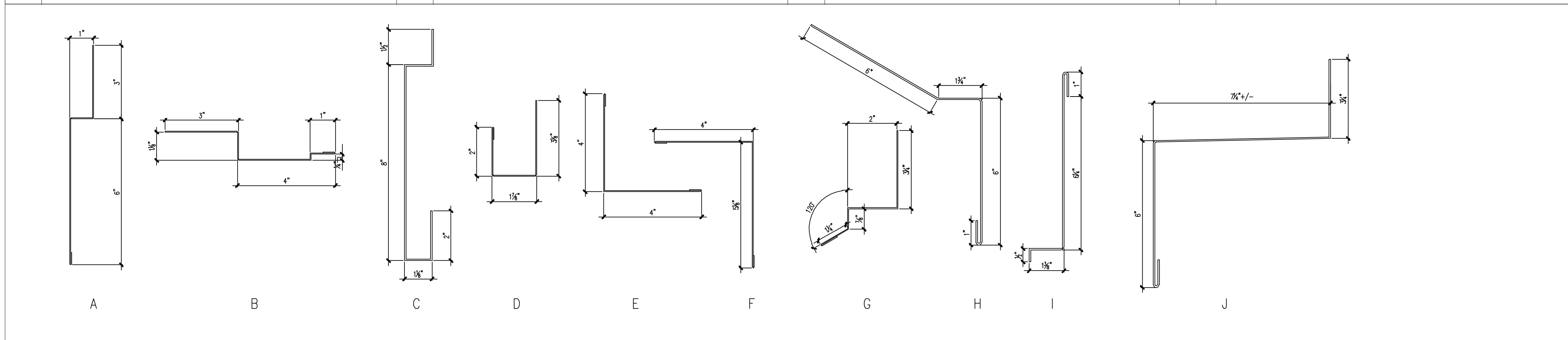
NOTE: SEE 6/A6.31 FOR EXPANSION JOINT EXTERIOR CLADDING DETAIL

5 DETAIL @ REFERENCED FROM: SCALE:

6 MASONRY DETAIL @ TOP OF WALL REFERENCED FROM: SCALE: 3/8"=1'-0"

7 MASONRY CORNER DETAIL REFERENCED FROM: SCALE:

8 - REFERENCED FROM: SCALE: 3/8"=1'-0"



12 BREAK METAL TRIM DETAILS REFERENCED FROM: SCALE: 6"=1'-0"

CWS
CWS Architects
Architecture
Space Planning
Value Design
434 Cumberland Avenue
Portland, ME 04101
Phone: (207) 774-4441
Fax: (207) 774-4016
www.CWSarch.com

REGISTERED ARCHITECT
BENEDICT
WALTER
NO. 1947
STATE OF MAINE

Owner: **SOUTHERN MAINE STUDENT HOUSING LLC**
247 COMMERCIAL STREET
ROCKPORT, MAINE 04856
TEL: (207) 236-4067

Contractor: **PIZZAGALLI CONSTRUCTION**
131 PRESUMPSCOT STREET
PORTLAND, ME 04103
TEL: (207) 874-2323
FAX: (207) 874-2727

BAYSIDE VILLAGE - A STUDENT HOUSING COMPLEX
132 MARGINAL WAY
PORTLAND, MAINE

Project No: 2006-432/BVP

Drawing Title: **EXTERIOR DETAILS**

Scale: AS NOTED
Date: SEPTEMBER 14, 2007

Revisions:

Drawing Number: **A7.45**