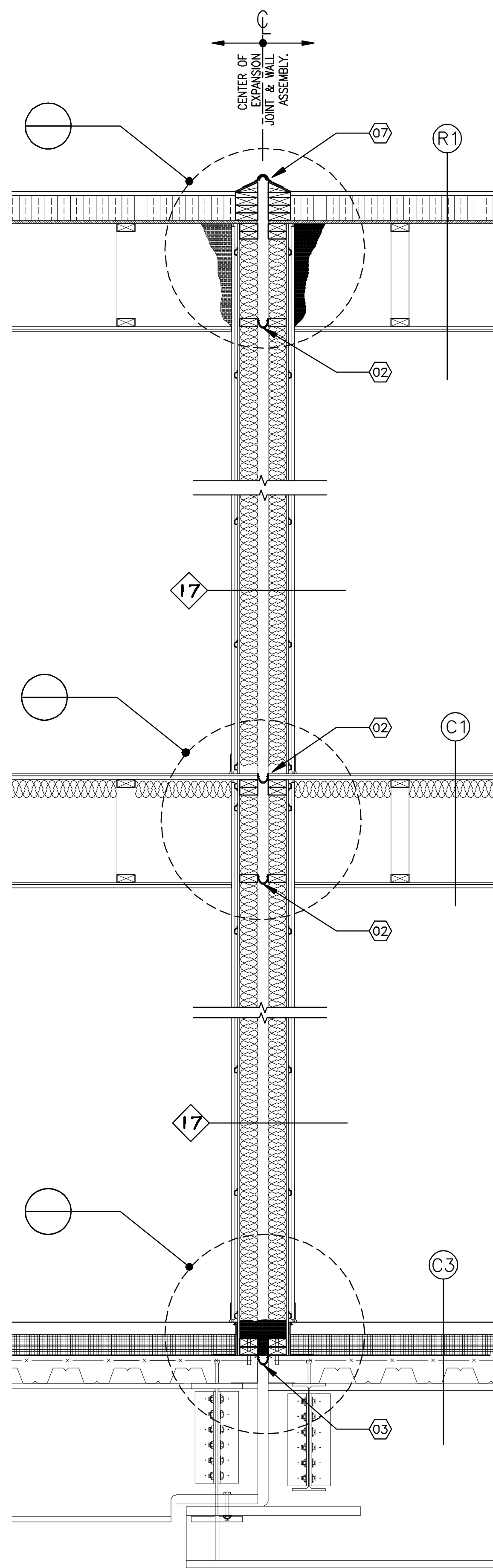


ROOF ELEVATION:



TYPICAL FLOOR ELEVATION:

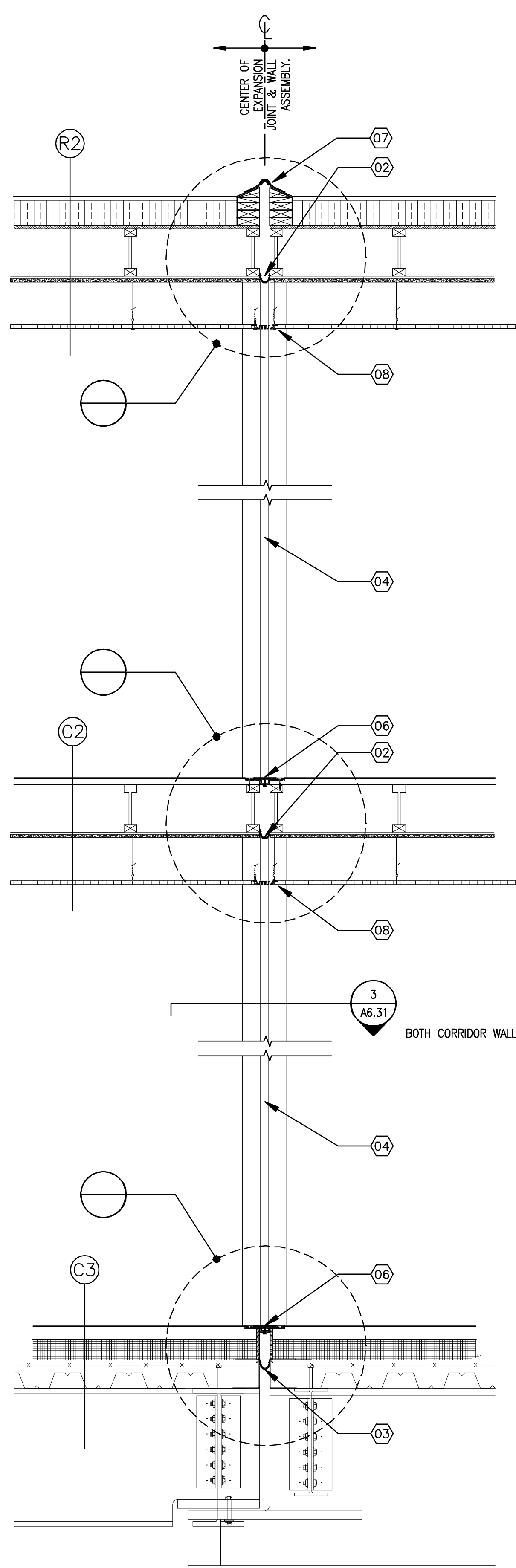
FIRST FLOOR ELEVATION:  
113'-10" (ARCH)

TOP OF SLAB ELEVATION:  
113'-3 1/2" (ARCH)

**1** EXPANSION JOINT BUILDING SECTION

REFERENCED FROM:

SCALE: 3/4" = 1'-0"



**2** EXPANSION JOINT BUILDING SECTION

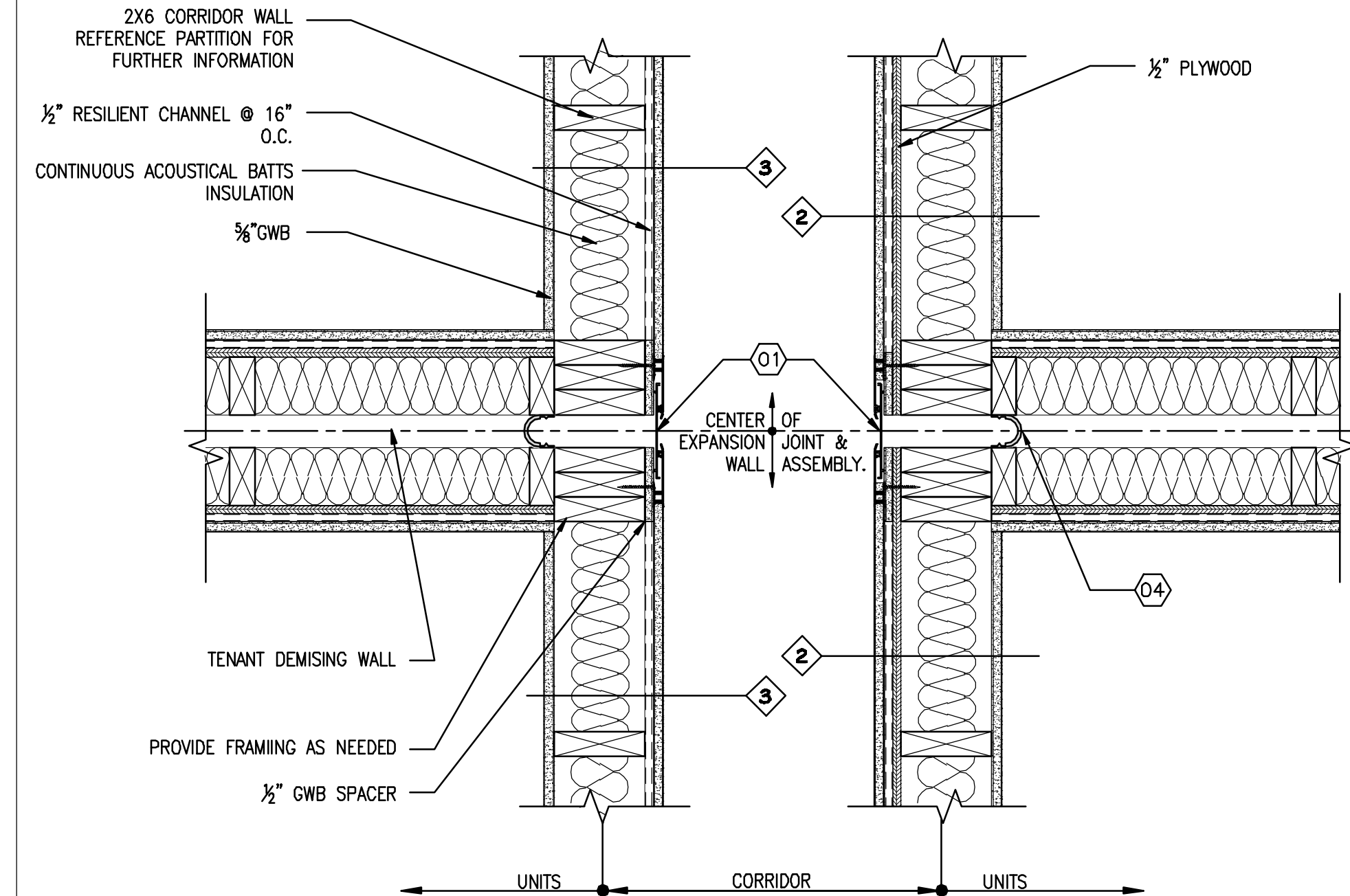
REFERENCED FROM:

SCALE: 3/4" = 1'-0"

**3** EXPANSION CONTROL JOINT - VERTICAL WALL JOINT

REFERENCED FROM:

SCALE: 1/2" = 1'-0"

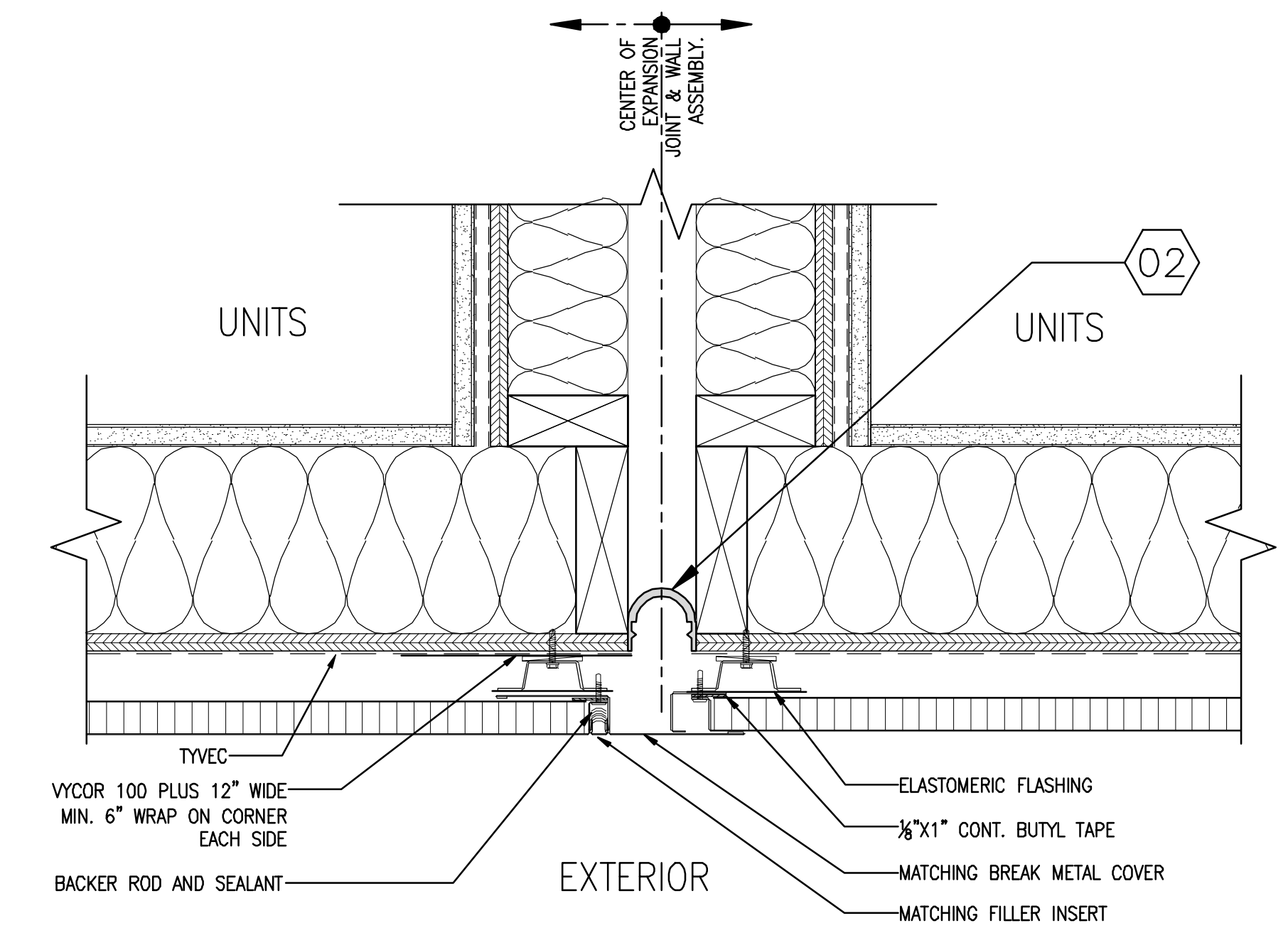


EXPANSION CONTROL SYSTEM SCHEDULE - WATSON BOWMAN ACME PRODUCTS OR EQUAL		
01	WABO CONTOUR II MODEL: CTR-200	1 HR. RATED MIN.
02	WABO FIREFLEX MODEL: HFF 02-2	1 HR. RATED MIN.
03	WABO FIREFLEX MODEL: HFF 02-2	3 HR. RATED MIN.
04	WABO FIREFLEX MODEL: VFF 02-2	1 HR. RATED MIN.
05	WABO FIREFLEX MODEL: VFF 02-2	2 HR. RATED MIN.
06	WABO TWIN SEAM FLOOR MODEL: TSF-200	1 HR. RATED MIN.
07	WABO FLASH MODEL: EEJ-200	1 HR. RATED MIN.
08	WABO FASTWRAP MODEL: CEB-200	1 HR. RATED MIN.

**4** EXPANSION CONTROL SYSTEM LEGEND

REFERENCED FROM:

SCALE: NTS



**5** EXTERIOR CLADDING EXPANSION CONTROL JOINT

REFERENCED FROM:

SCALE: 3" = 1'-0"

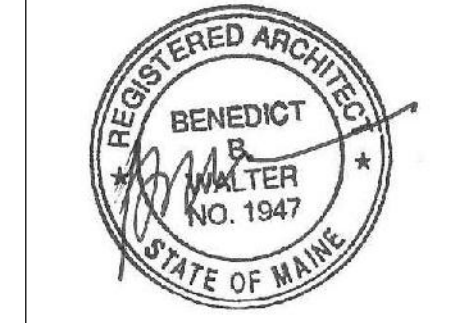


CWS Architects

Architecture  
Space Planning  
Value Design

434 Cumberland Avenue  
Portland, ME 04101  
Phone: (207) 774-4441  
Fax: (207) 774-4016

www.CWSArch.com



Owner:  
**SOUTHERN MAINE STUDENT HOUSING LLC**  
247 COMMERCIAL STREET  
ROCKPORT, MAINE 04856  
TEL: (207) 236-4067

Contractor:  
**PIZZAGALLI CONSTRUCTION**  
131 PRESUMPSCOT STREET  
PORTLAND, ME 04103  
TEL: (207) 874-2323  
FAX: (207) 874-2727

**BAYSIDE VILLAGE - A STUDENT HOUSING COMPLEX**

132 MARGINAL WAY  
PORTLAND, MAINE

Project No: 2006-432/BVP

Drawing Title:  
**EXPANSION JOINT WALL SECTIONS**

Scale: 1/2" = 1'-0"  
Date: SEPTEMBER 14, 2007

- Revisions:
- ▲
  - ▲
  - ▲
  - ▲
  - ▲

Drawing Number:

**A6.31**