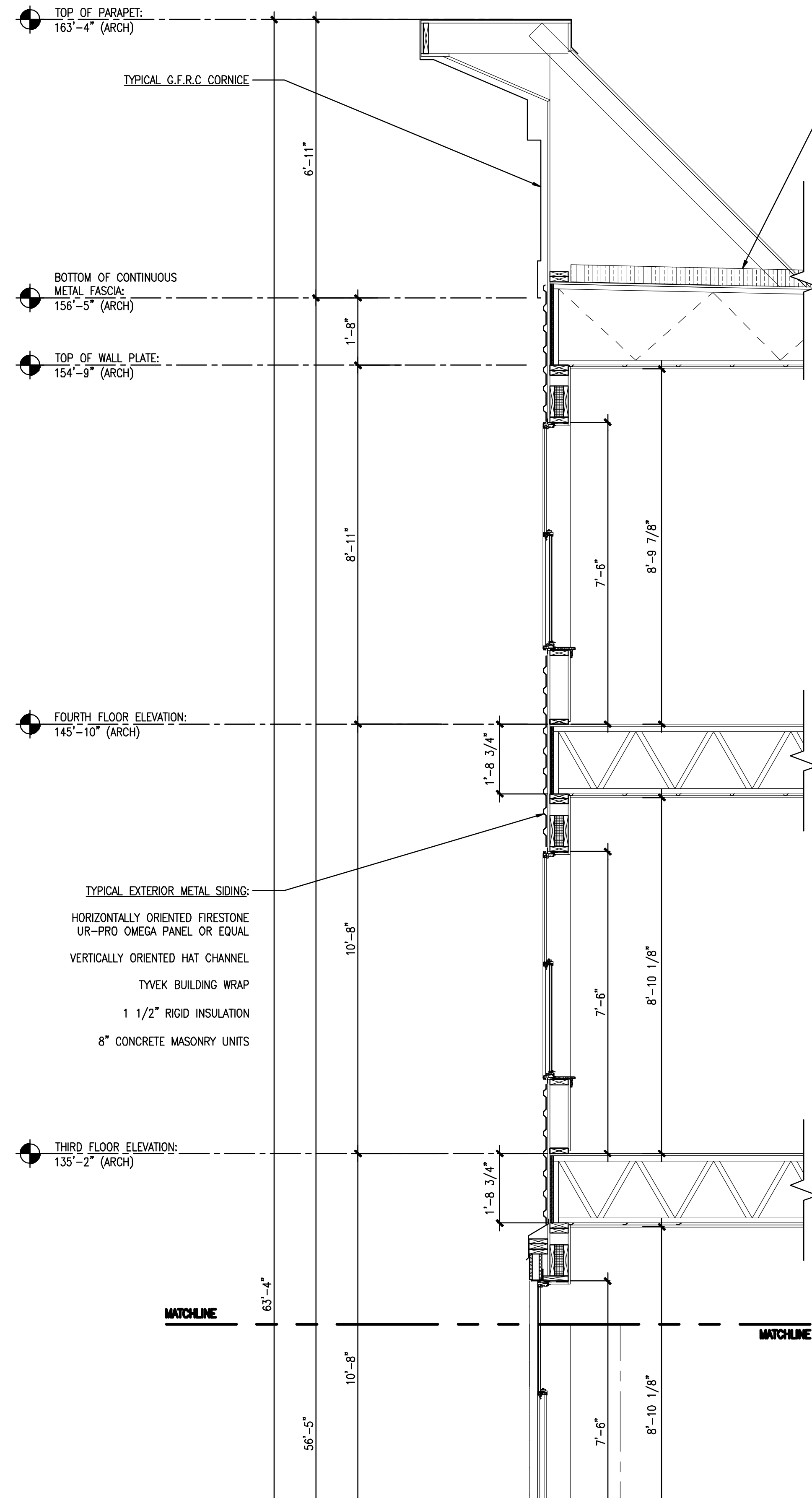
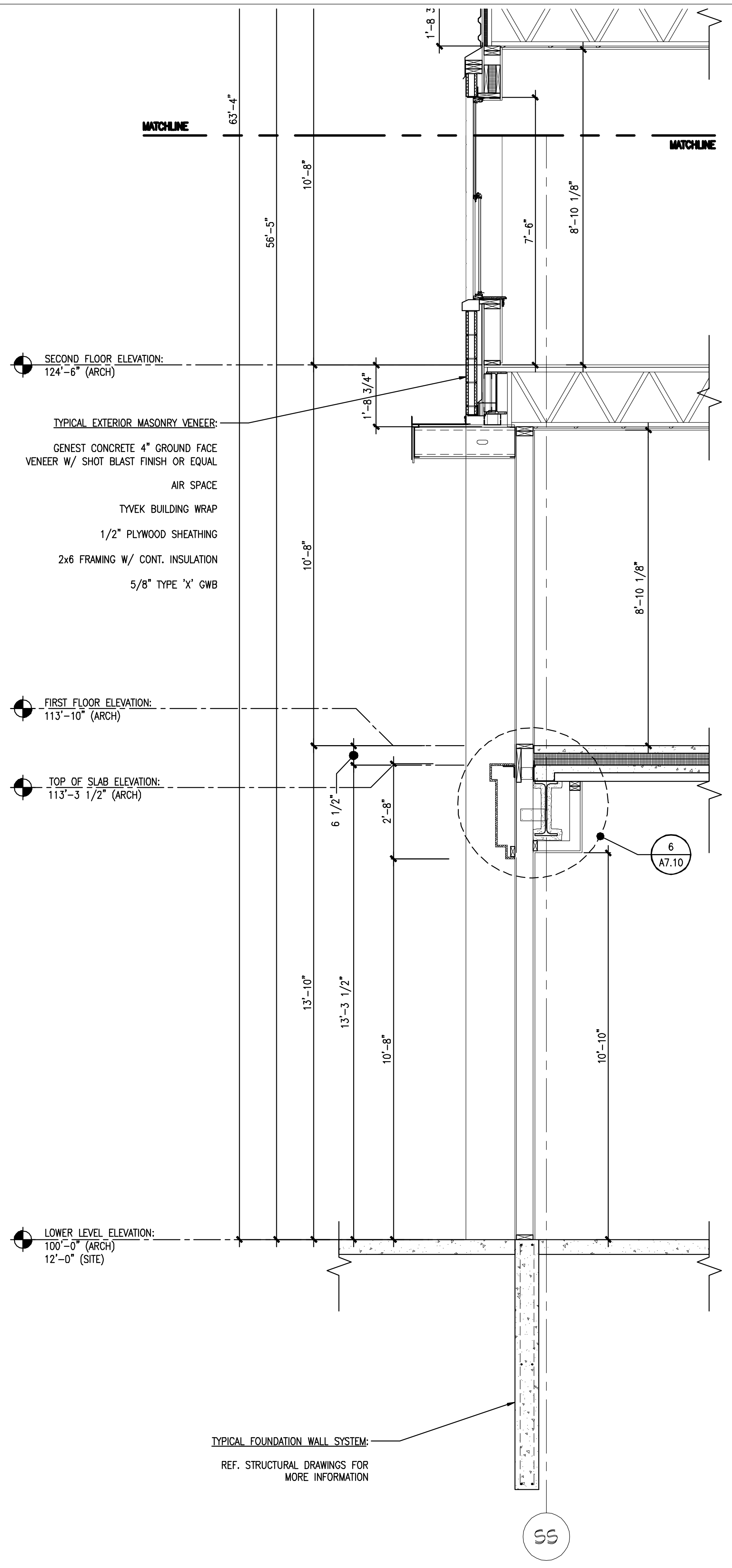


SS



**TYPICAL ROOF ASSEMBLY:**  
 EPDM ROOFING MEMBRANE  
 POLYISOCYANURATE INSULATION  
 PLYWOOD SHEATHING  
 WOOD ROOF TRUSS SYSTEM  
 1/2" FURRING CHANNELS @ 16" O.C.  
 5/8" TYPE 'X' GWB

**TYPICAL EXTERIOR METAL SIDING:**  
 HORIZONTALLY ORIENTED FIRESTONE  
 UR-PRO OMEGA PANEL OR EQUAL  
 VERTICALLY ORIENTED HAT CHANNEL  
 TYVEK BUILDING WRAP  
 1 1/2" RIGID INSULATION  
 8" CONCRETE MASONRY UNITS



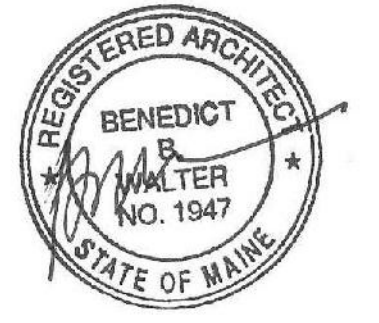
**TYPICAL EXTERIOR MASONRY VENEER:**  
 GENEST CONCRETE 4" GROUND FACE  
 VENEER W/ SHOT BLAST FINISH OR EQUAL  
 AIR SPACE  
 TYVEK BUILDING WRAP  
 1/2" PLYWOOD SHEATHING  
 2x6 FRAMING W/ CONT. INSULATION  
 5/8" TYPE 'X' GWB

**TYPICAL FOUNDATION WALL SYSTEM:**  
 REF. STRUCTURAL DRAWINGS FOR  
 MORE INFORMATION

**21 WALL SECTION**  
 REFERENCED FROM:

SCALE: 1/2" = 1'-0"

**CWS Architects**  
 Architecture  
 Space Planning  
 Value Design  
 434 Cumberland Avenue  
 Portland, ME 04101  
 Phone: (207) 774-4441  
 Fax: (207) 774-4016  
 www.CWSarch.com



Owner: **SOUTHERN MAINE STUDENT HOUSING LLC**  
 247 COMMERCIAL STREET  
 ROCKPORT, MAINE 04856  
 TEL: (207) 236-4067

Contractor: **PIZZAGALLI CONSTRUCTION**  
 131 PRESUMPSCOT STREET  
 PORTLAND, ME 04103  
 TEL: (207) 874-2323  
 FAX: (207) 874-2727

**BAYSIDE VILLAGE - A STUDENT HOUSING COMPLEX**  
 132 MARGINAL WAY  
 PORTLAND, MAINE

Project No: 2006-432-BVP  
 Drawing Title: **WALL SECTION**

Scale: 1/2" = 1'-0"  
 Date: SEPTEMBER 14, 2007  
 Revisions:

- △
- △
- △
- △
- △

Drawing Number: **A6.21**