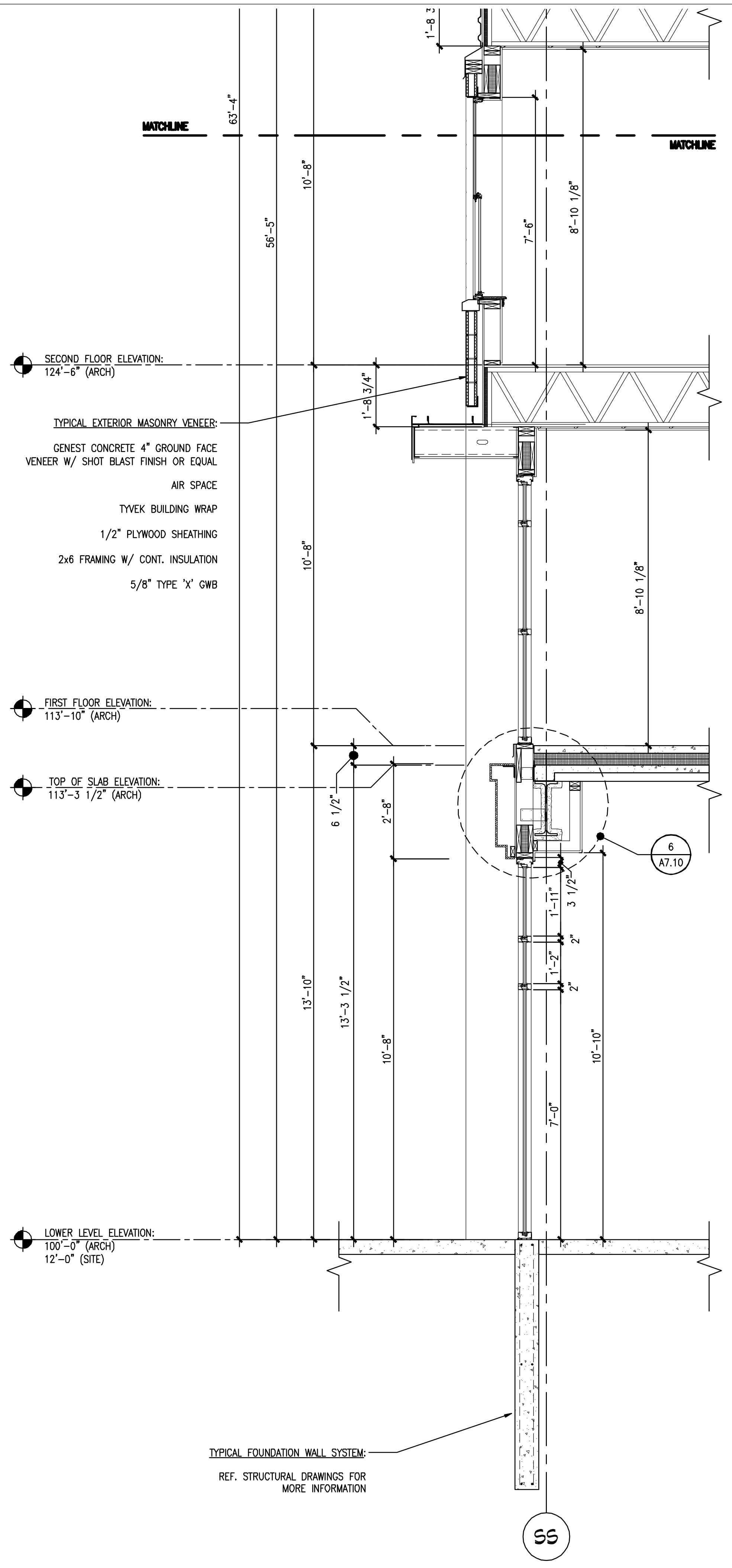


TYPICAL ROOF ASSEMBLY:
 EPDM ROOFING MEMBRANE
 POLYISOCYANURATE INSULATION
 PLYWOOD SHEATHING
 WOOD ROOF TRUSS SYSTEM
 1/2" FURRING CHANNELS @ 16" O.C.
 5/8" TYPE 'X' GWB

TYPICAL EXTERIOR METAL SIDING:
 HORIZONTALLY ORIENTED FIRESTONE
 UR-PRO OMEGA PANEL OR EQUAL
 VERTICALLY ORIENTED HAT CHANNEL
 TYVEK BUILDING WRAP
 1 1/2" RIGID INSULATION
 8" CONCRETE MASONRY UNITS



TYPICAL EXTERIOR MASONRY VENEER:
 GENEST CONCRETE 4" GROUND FACE
 VENEER W/ SHOT BLAST FINISH OR EQUAL
 AIR SPACE
 TYVEK BUILDING WRAP
 1/2" PLYWOOD SHEATHING
 2x6 FRAMING W/ CONT. INSULATION
 5/8" TYPE 'X' GWB

TYPICAL FOUNDATION WALL SYSTEM:
 REF. STRUCTURAL DRAWINGS FOR
 MORE INFORMATION

