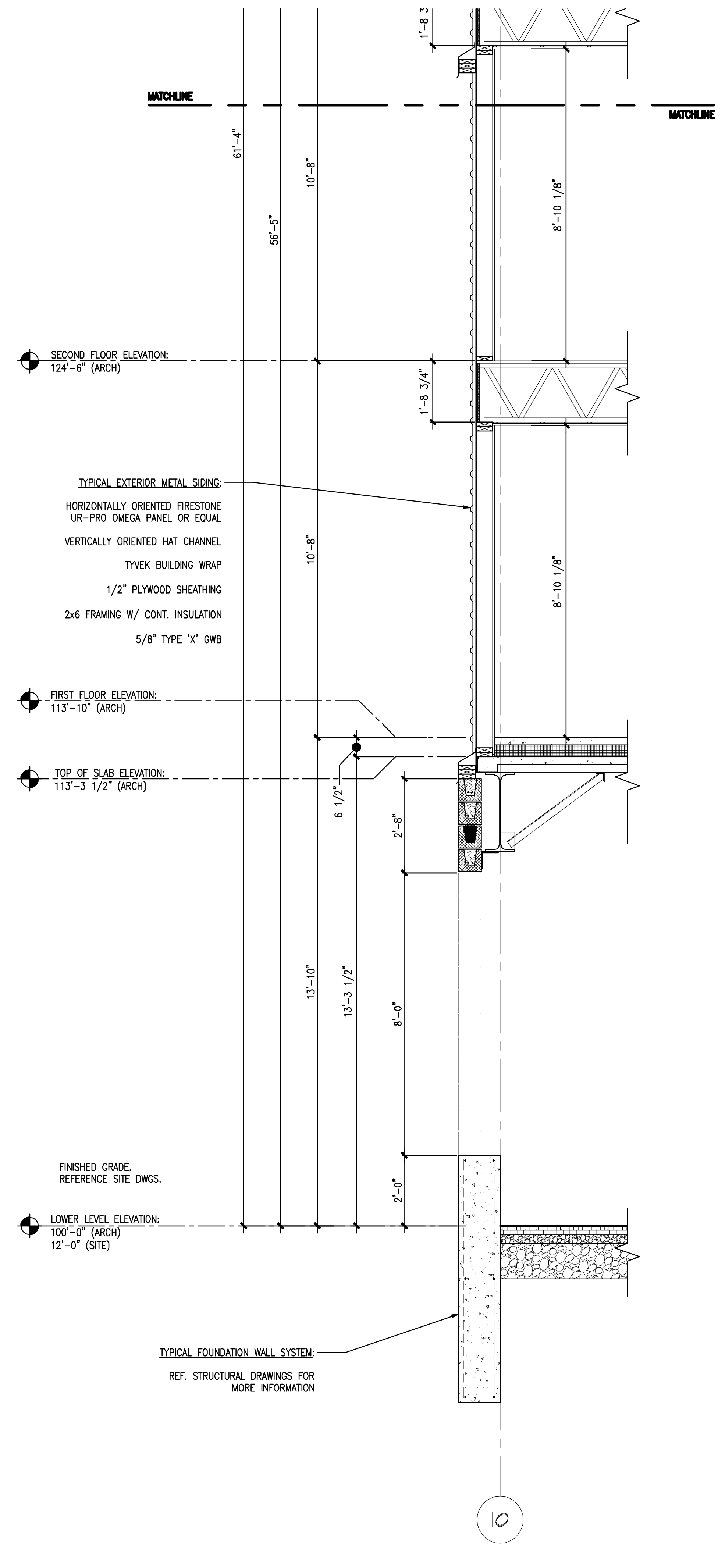


TYPICAL G.F.R.C CORNICE

TYPICAL ROOF ASSEMBLY:
 EPDM ROOFING MEMBRANE
 POLYISOCYANURATE INSULATION
 PLYWOOD SHEATHING
 WOOD ROOF TRUSS SYSTEM
 1/2" FURRING CHANNELS @ 16" O.C.
 5/8" TYPE 'X' GWB

MATCHLINE



TYPICAL EXTERIOR METAL SIDING:
 HORIZONTALLY ORIENTED FIRESTONE
 UR-PRO OMEGA PANEL OR EQUAL
 VERTICALLY ORIENTED HAT CHANNEL
 TYEK BUILDING WRAP
 1/2" PLYWOOD SHEATHING
 2x6 FRAMING W/ CONT. INSULATION
 5/8" TYPE 'X' GWB

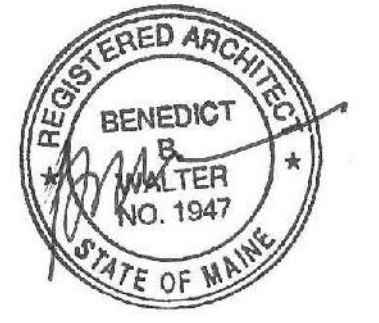
TYPICAL FOUNDATION WALL SYSTEM:
 REF. STRUCTURAL DRAWINGS FOR
 MORE INFORMATION

MATCHLINE

1 WALL SECTION
 REFERENCED FROM:

SCALE: 1/2" = 1'-0"

CWS Architects
 Architecture
 Space Planning
 Value Design
 434 Cumberland Avenue
 Portland, ME 04101
 Phone: (207) 774-4441
 Fax: (207) 774-4016
www.CWSArch.com



Owner: **SOUTHERN MAINE STUDENT HOUSING LLC**
 247 COMMERCIAL STREET
 ROCKPORT, MAINE 04856
 TEL: (207) 236-4067

Contractor: **PIZZAGALLI CONSTRUCTION**
 131 PRESUMPSCOT STREET
 PORTLAND, ME 04103
 TEL: (207) 874-2323
 FAX: (207) 874-2727

BAYSIDE VILLAGE - A STUDENT HOUSING COMPLEX
 132 MARGINAL WAY
 PORTLAND, MAINE

Project No: 2006-432.BVP
 Drawing Title: **WALL SECTION**

Scale: 1/2" = 1'-0"
 Date: SEPTEMBER 14, 2007
 Revisions:

- △
- △
- △
- △
- △

Drawing Number:
A6.01