

Owner:
SOUTHERN MAINE STUDENT HOUSING LLC
247 COMMERCIAL STREET
ROCKPORT, MAINE 04856
TEL: (207) 236-4067

Contractor:
PIZZAGALLI CONSTRUCTION
131 PRESUMPSCOT STREET
PORTLAND, ME 04103
TEL: (207) 874-2323
FAX: (207) 874-2727

BAYSIDE VILLAGE - A STUDENT HOUSING COMPLEX

132 MARGINAL WAY
PORTLAND, MAINE

Project No: 2006-432/BVP

Drawing Title:
SECTION AND PLAN AT MANAGER APARTMENT STAIR

Scale: AS SHOWN

Date: SEPTEMBER 14, 2007

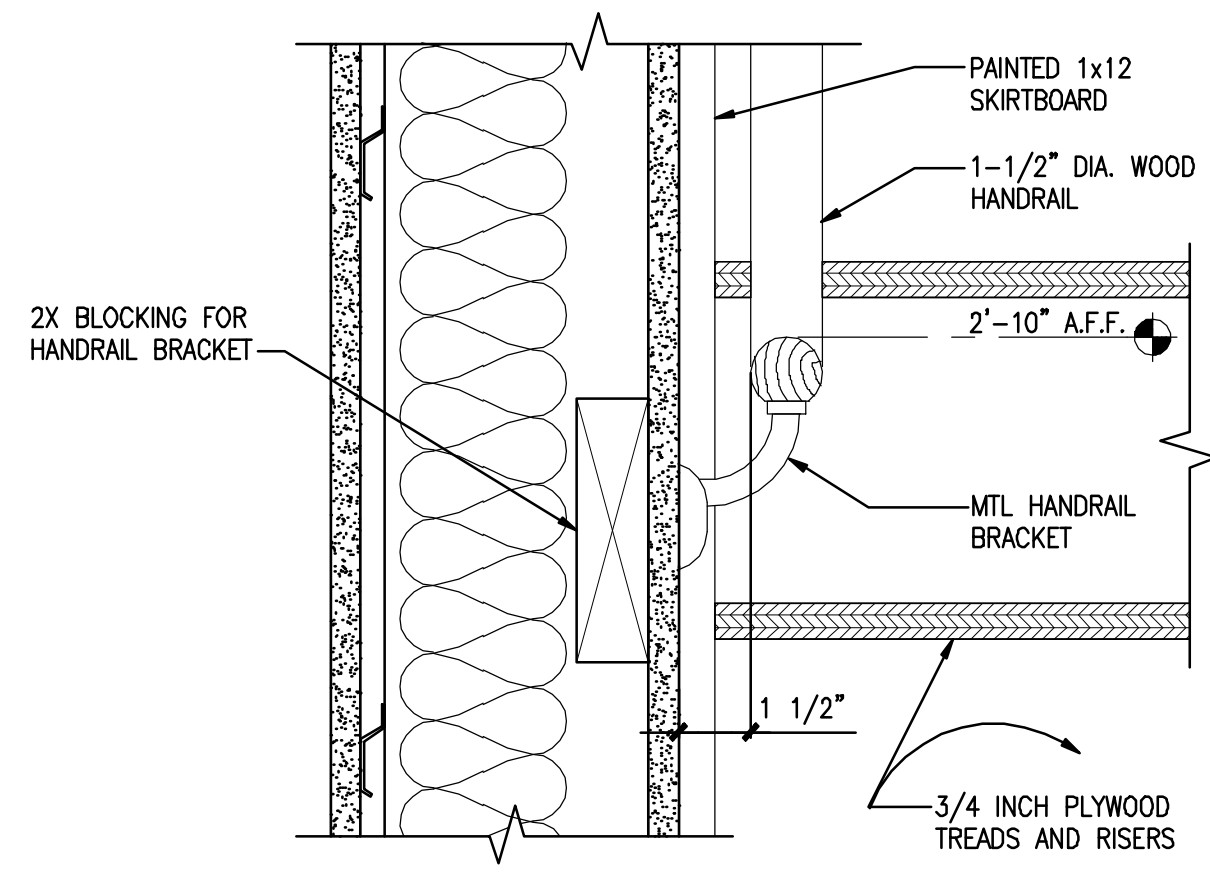
Revisions:

- △
- △
- △
- △
- △
- △

Drawing Number:

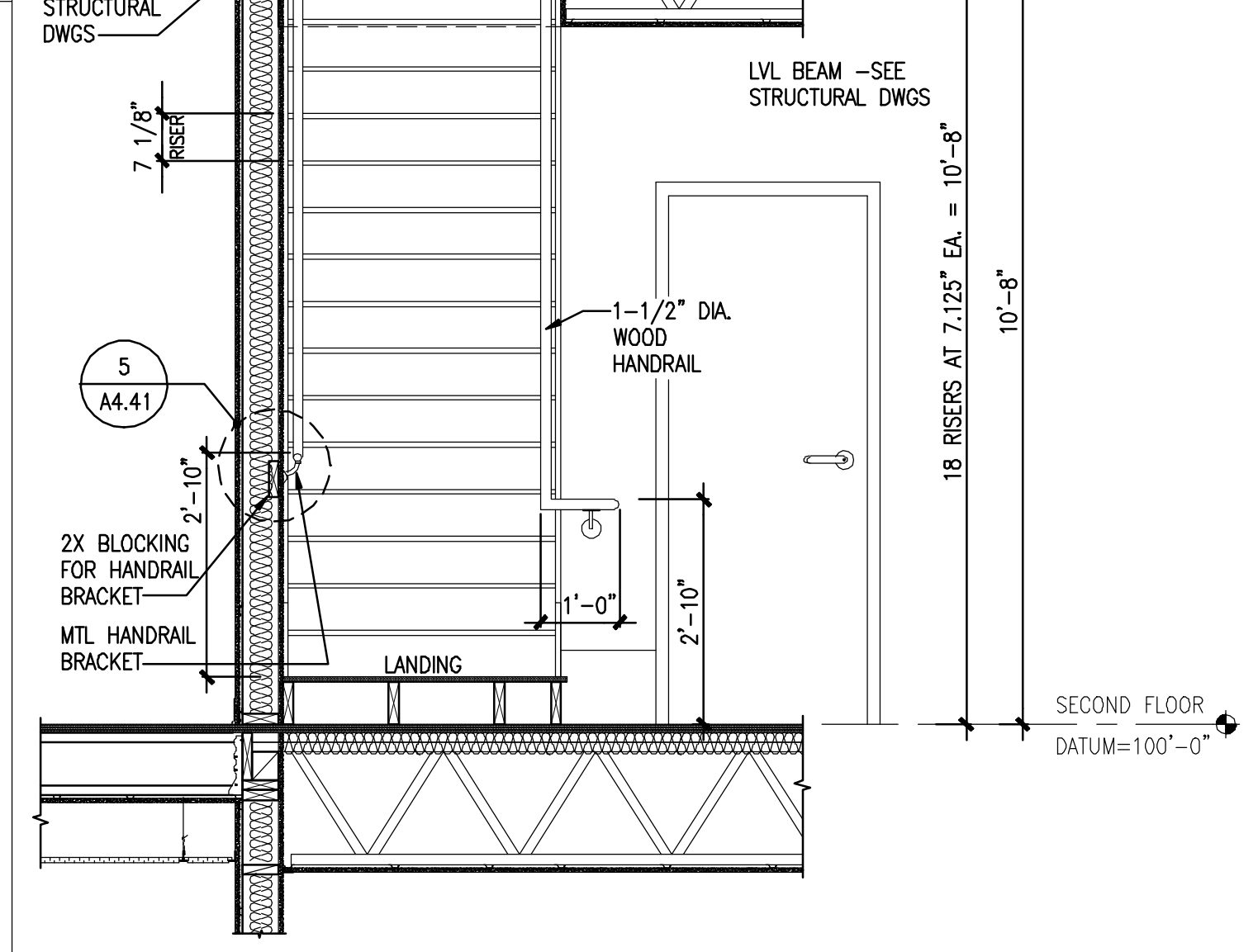
A4.41

1 REFERENCED FROM: SCALE:



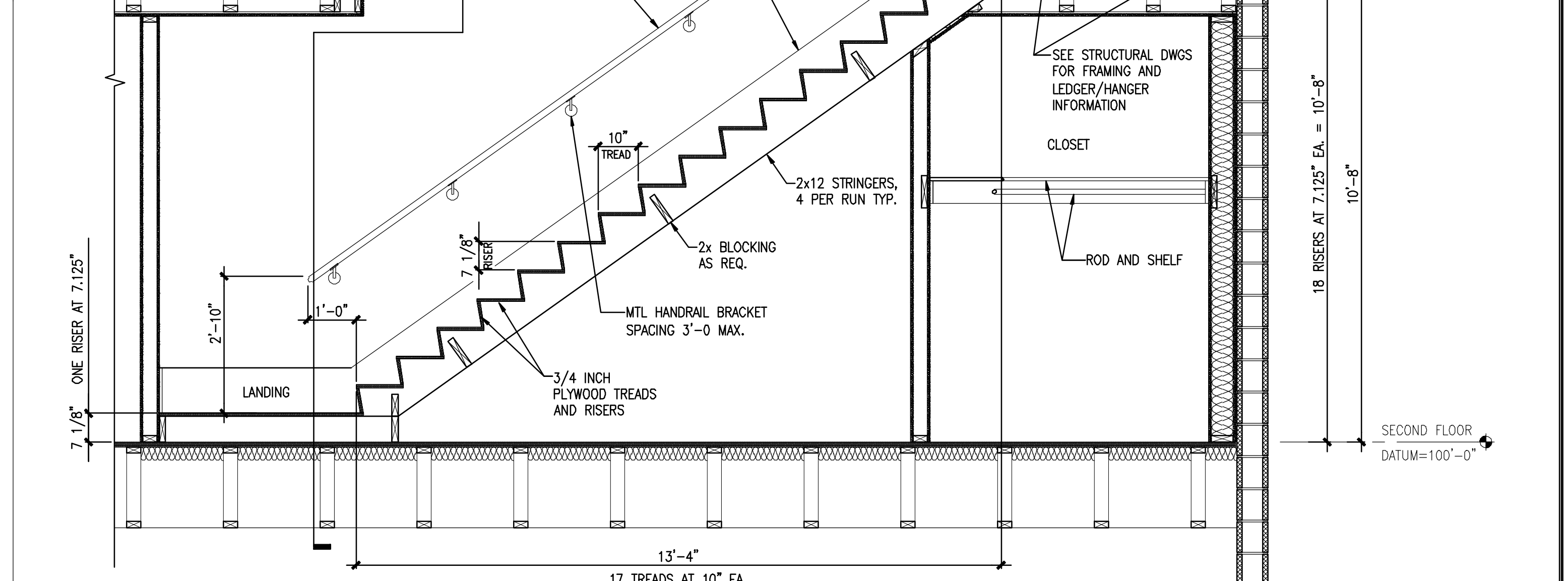
5 DETAIL AT HANDRAIL REFERENCED FROM: SCALE: 3/8"=1'-0"

6 SECTION THROUGH STAIR AT MAN. APART. REFERENCED FROM: SCALE: 1/2"=1'-0"



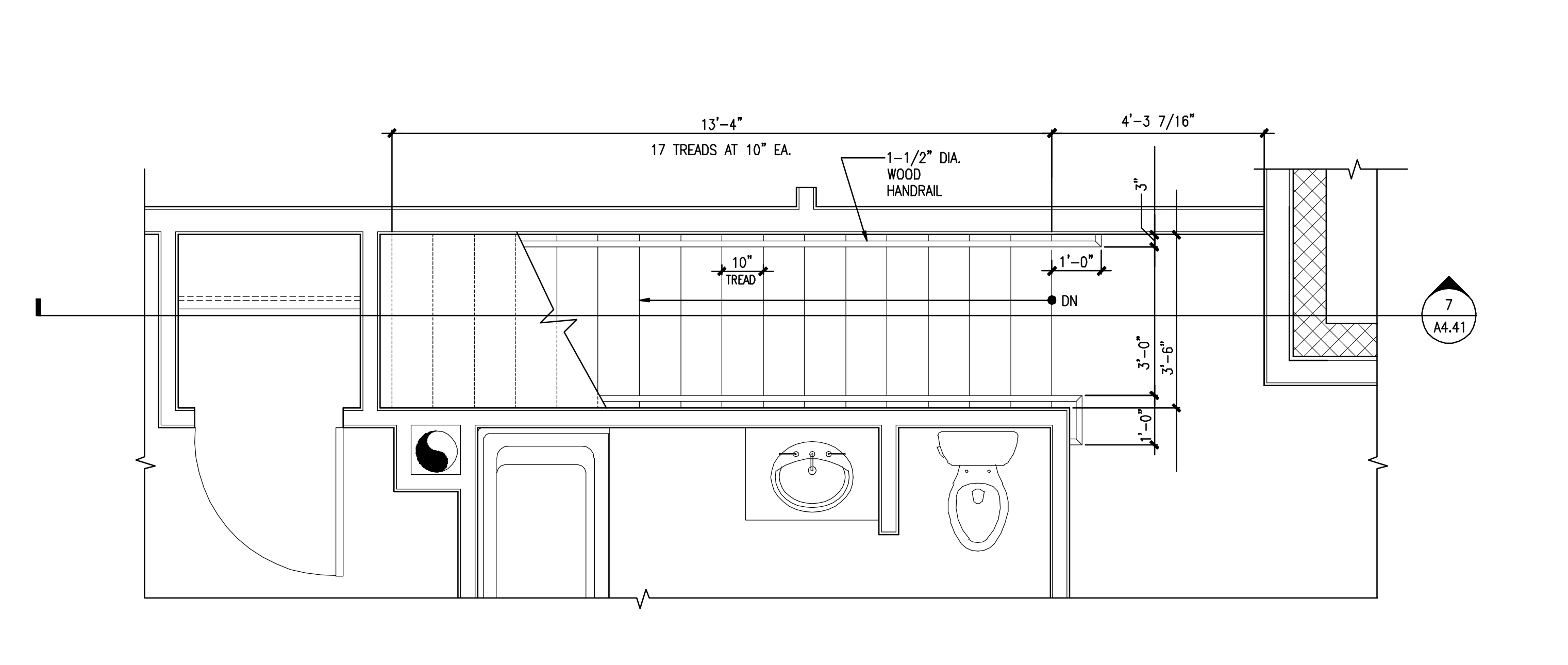
6 SECTION THROUGH STAIR AT MAN. APART. REFERENCED FROM: SCALE: 1/2"=1'-0"

7 SECTION THROUGH STAIR AT MANAGER'S APARTMENT REFERENCED FROM: SCALE: 1/2"=1'-0"



7 SECTION THROUGH STAIR AT MANAGER'S APARTMENT REFERENCED FROM: SCALE: 1/2"=1'-0"

9 PLAN OF STAIR AT MANAGER'S APARTMENT - 3RD FLOOR REFERENCED FROM: SCALE: 1/2"=1'-0"



11 PLAN OF STAIR AT MANAGER'S APARTMENT - 2ND FLOOR REFERENCED FROM: SCALE: 1/2"=1'-0"

