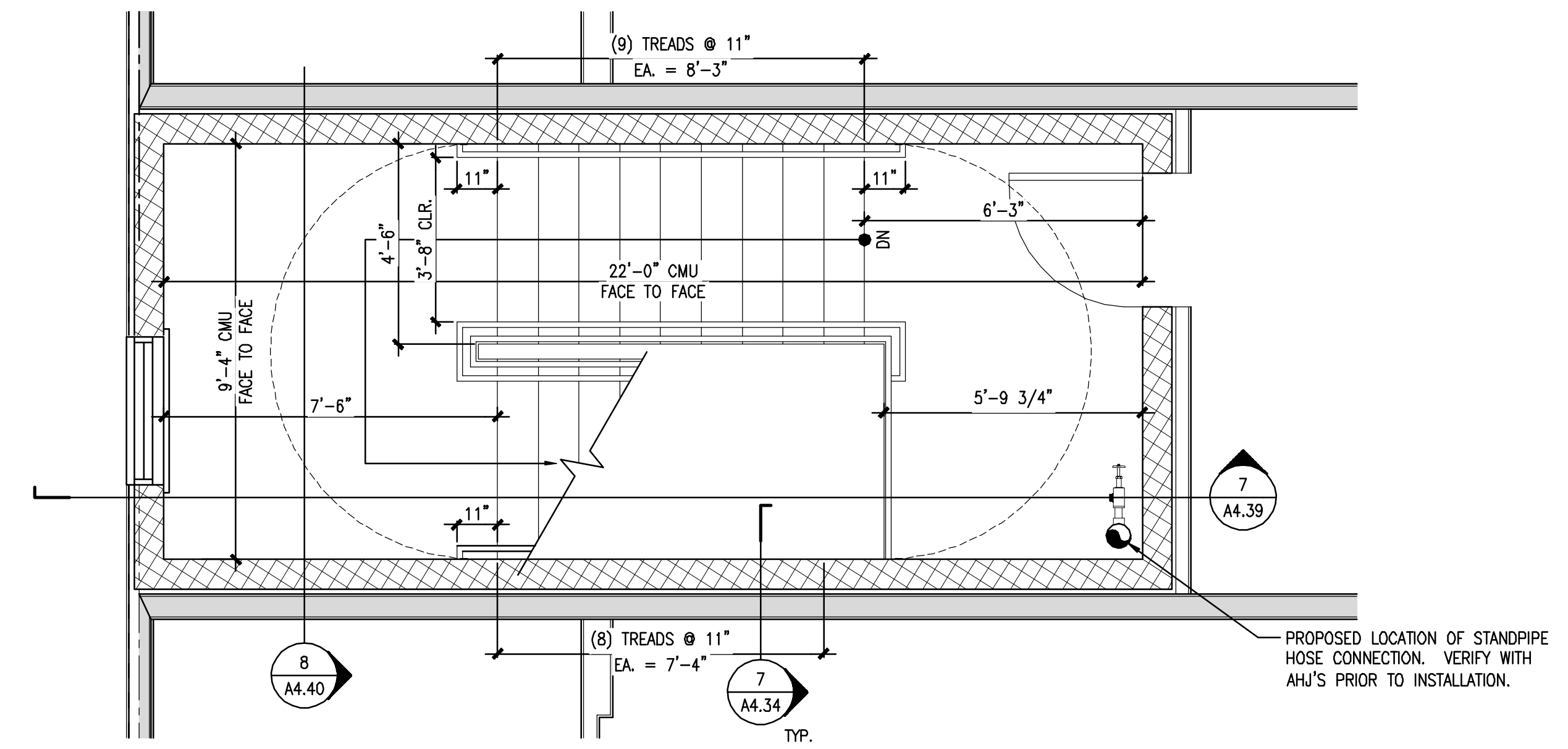


**1** ENLARGED STAIR TOWER #3 PLAN @ FIRST FLOOR

REFERENCED FROM:

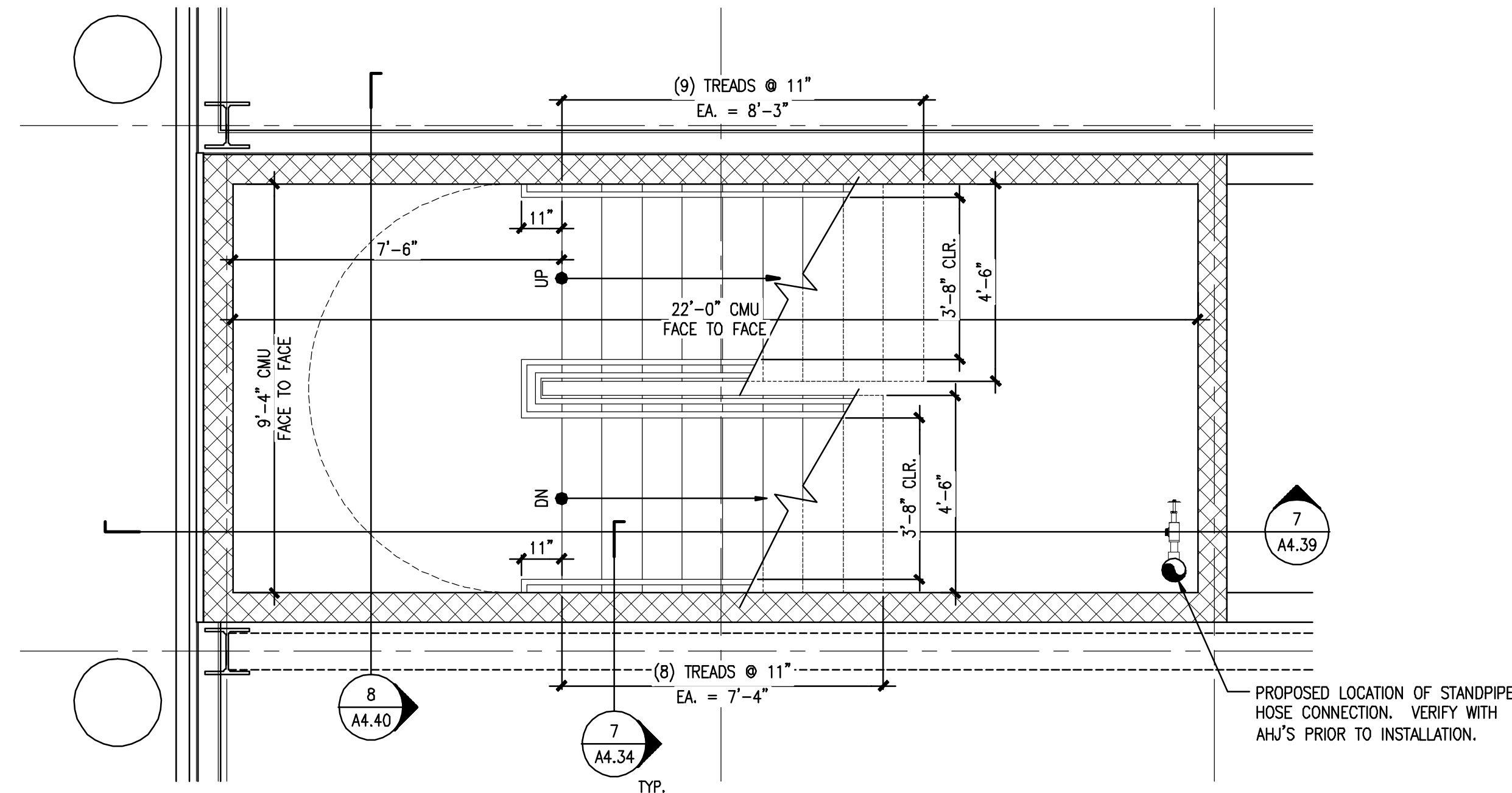
SCALE: 3/8" = 1'-0"



**3** ENLARGED STAIR TOWER #3 PLAN @ FOURTH FLOOR

REFERENCED FROM:

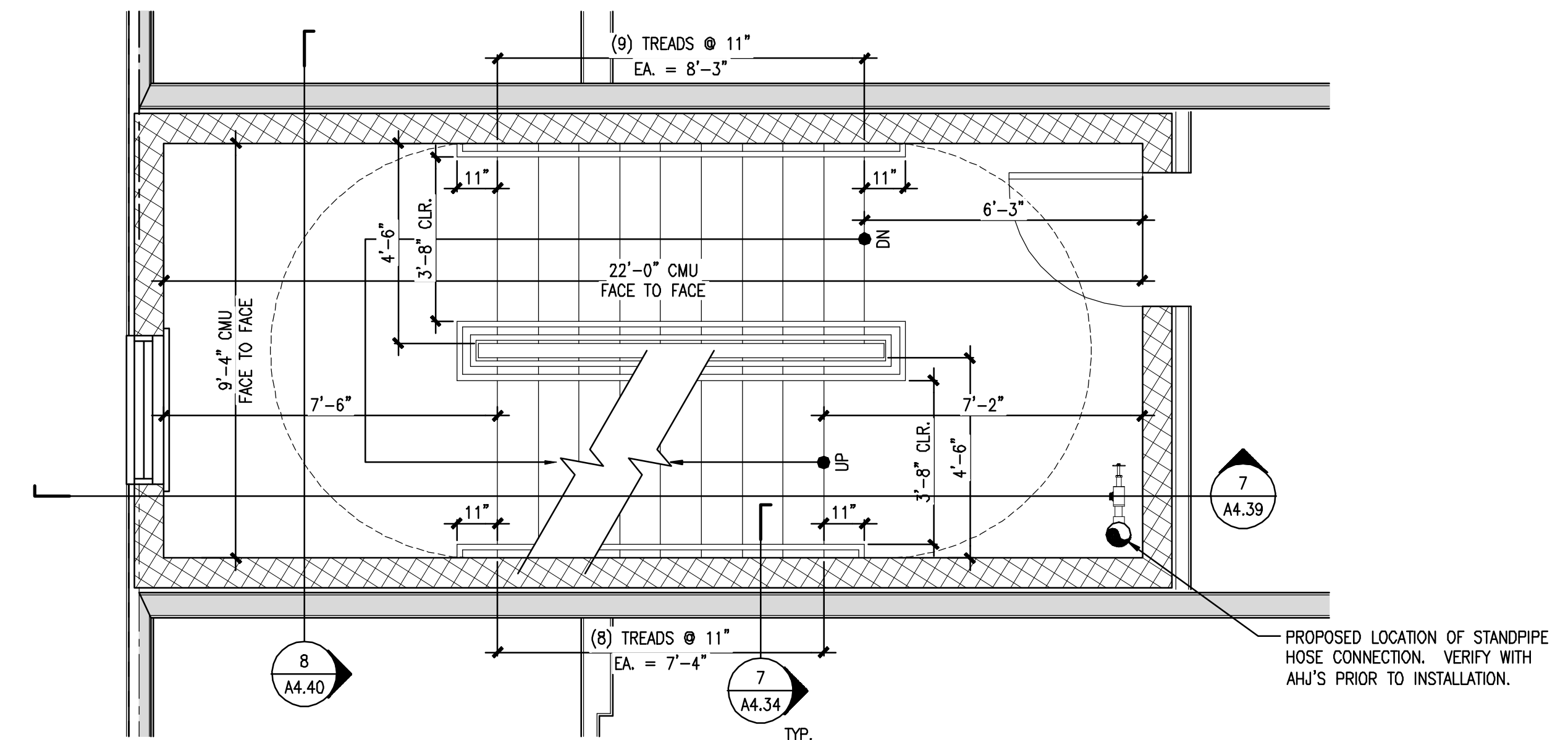
SCALE: 3/8" = 1'-0"



**5** ENLARGED STAIR TOWER #3 PLAN @ INTERMEDIATE LANDING

REFERENCED FROM:

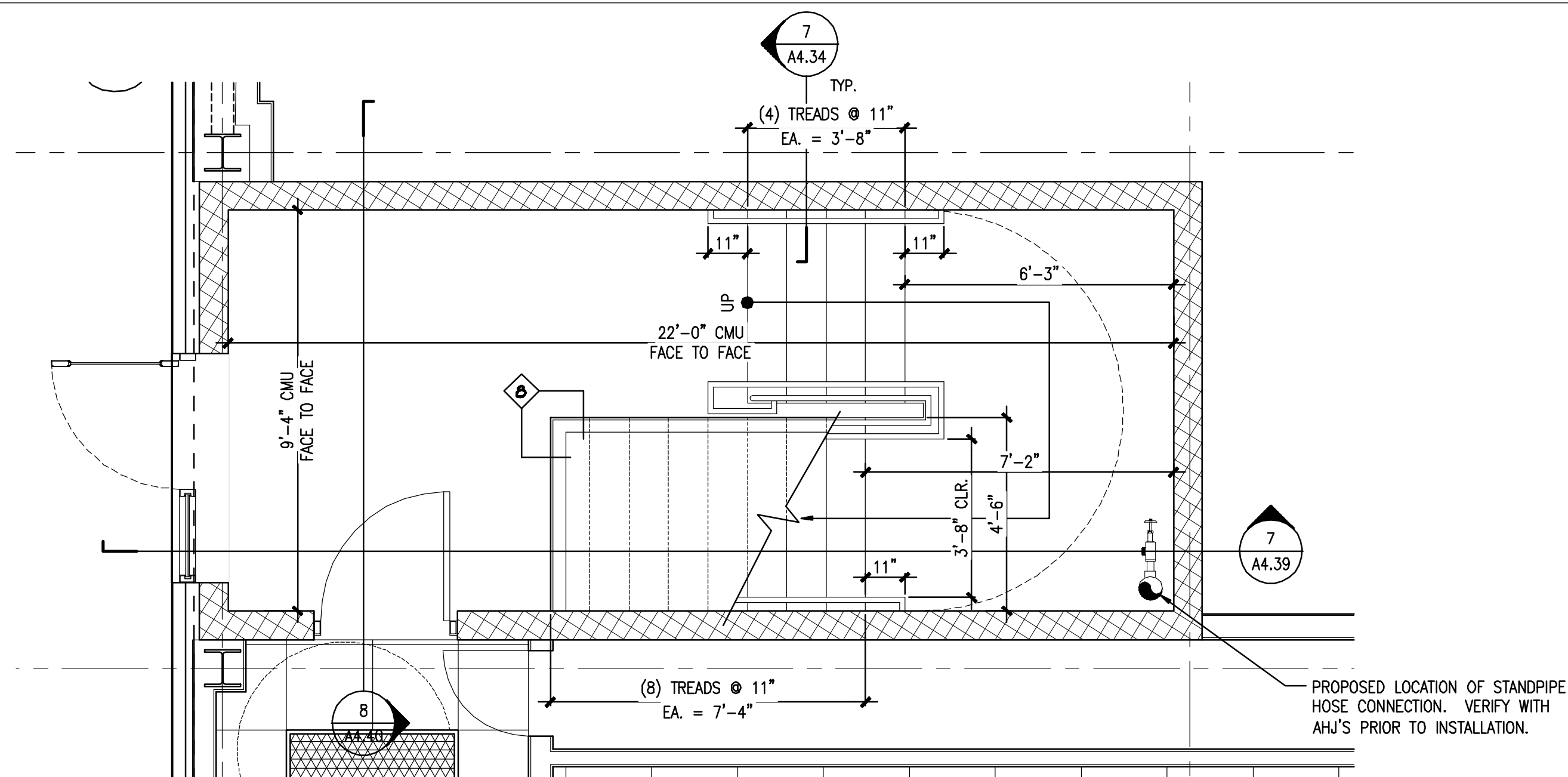
SCALE: 3/8" = 1'-0"



**7** ENLARGED STAIR TOWER #3 PLAN @ THIRD FLOOR

REFERENCED FROM:

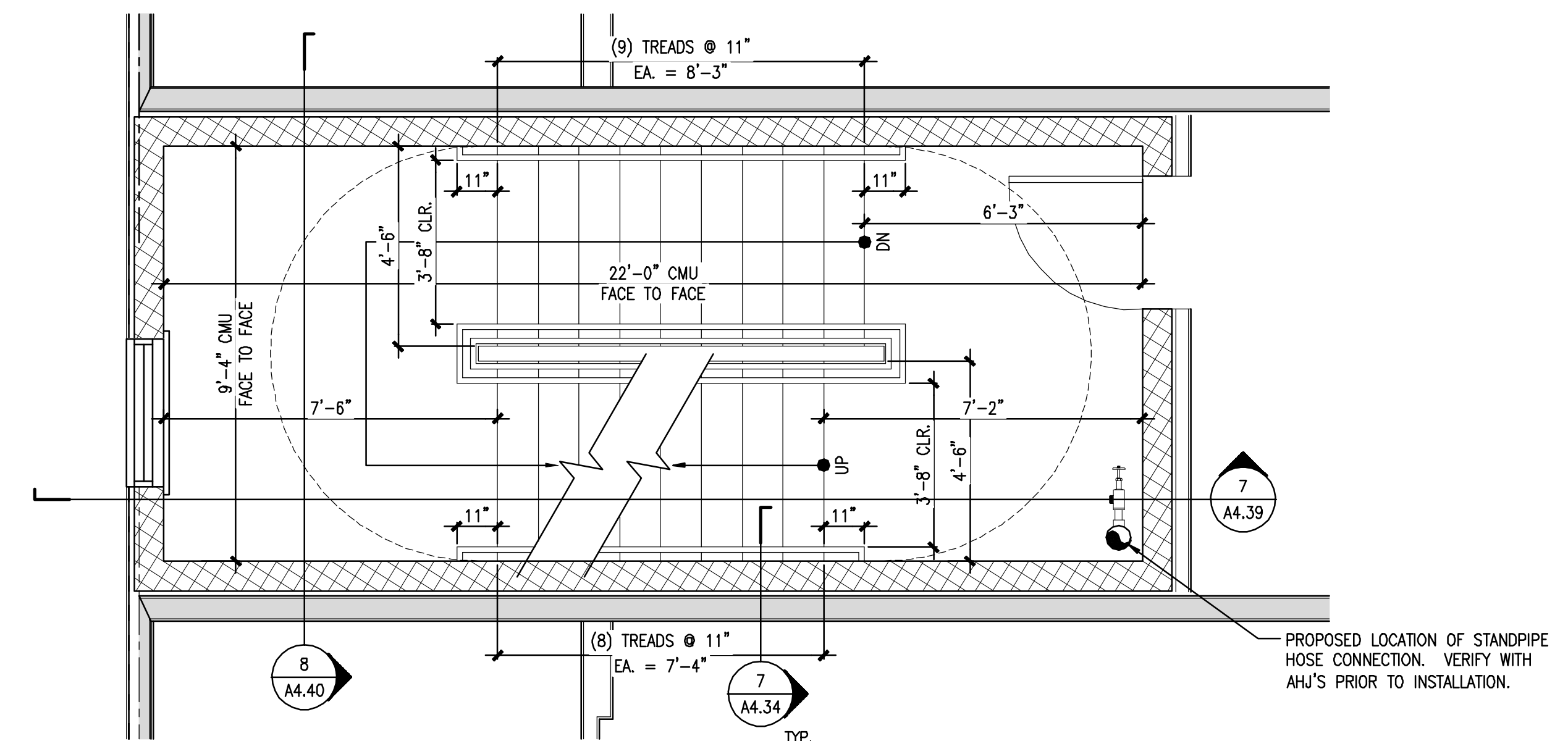
SCALE: 3/8" = 1'-0"



**9** ENLARGED STAIR TOWER #3 PLAN @ LOWER LEVEL

REFERENCED FROM:

SCALE: 3/8" = 1'-0"



**11** ENLARGED STAIR TOWER #3 PLAN @ SECOND FLOOR

REFERENCED FROM:

SCALE: 3/8" = 1'-0"

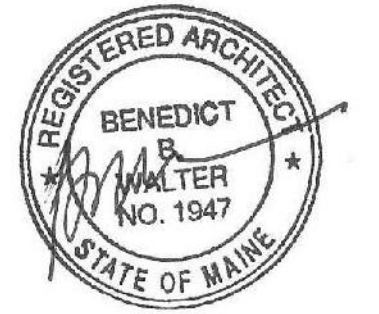


CWS Architects

Architecture  
Space Planning  
Value Design

434 Cumberland Avenue  
Portland, ME 04101  
Phone: (207) 774-4441  
Fax: (207) 774-4016

www.CWSArch.com



Owner:

**SOUTHERN MAINE STUDENT HOUSING LLC**  
247 COMMERCIAL STREET  
ROCKPORT, MAINE 04856  
TEL: (207) 236-4067

Contractor:

**PIZZAGALLI CONSTRUCTION**  
131 PRESUMPSCOT STREET  
PORTLAND, ME 04103  
TEL: (207) 874-2323  
FAX: (207) 874-2727

**BAYSIDE VILLAGE - A STUDENT HOUSING COMPLEX**

132 MARGINAL WAY  
PORTLAND, MAINE

Project No: 2006-432/BVP

Drawing Title:  
**ENLARGED PLANS AT STAIR TOWER #3**

Scale: 3/8" = 1'-0"

Date: SEPTEMBER 14, 2007

Revisions:

- △
- △
- △
- △
- △
- △

Drawing Number:

**A4.38**