

Owner:

SOUTHERN MAINE STUDENT HOUSING LLC
247 COMMERCIAL STREET
ROCKPORT, MAINE 04856
TEL: (207) 236-4067

Contractor:

PIZZAGALLI CONSTRUCTION
131 PRESUMPCOT STREET
PORTLAND, ME 04103
TEL: (207) 874-2323
FAX: (207) 874-2727

BAYSIDE VILLAGE - A STUDENT HOUSING COMPLEX

132 MARGINAL WAY
PORTLAND, MAINE

Project No: 2006-432/BVP

Drawing Title:
ENLARGED ELEVATOR PLANS AND SECTIONS

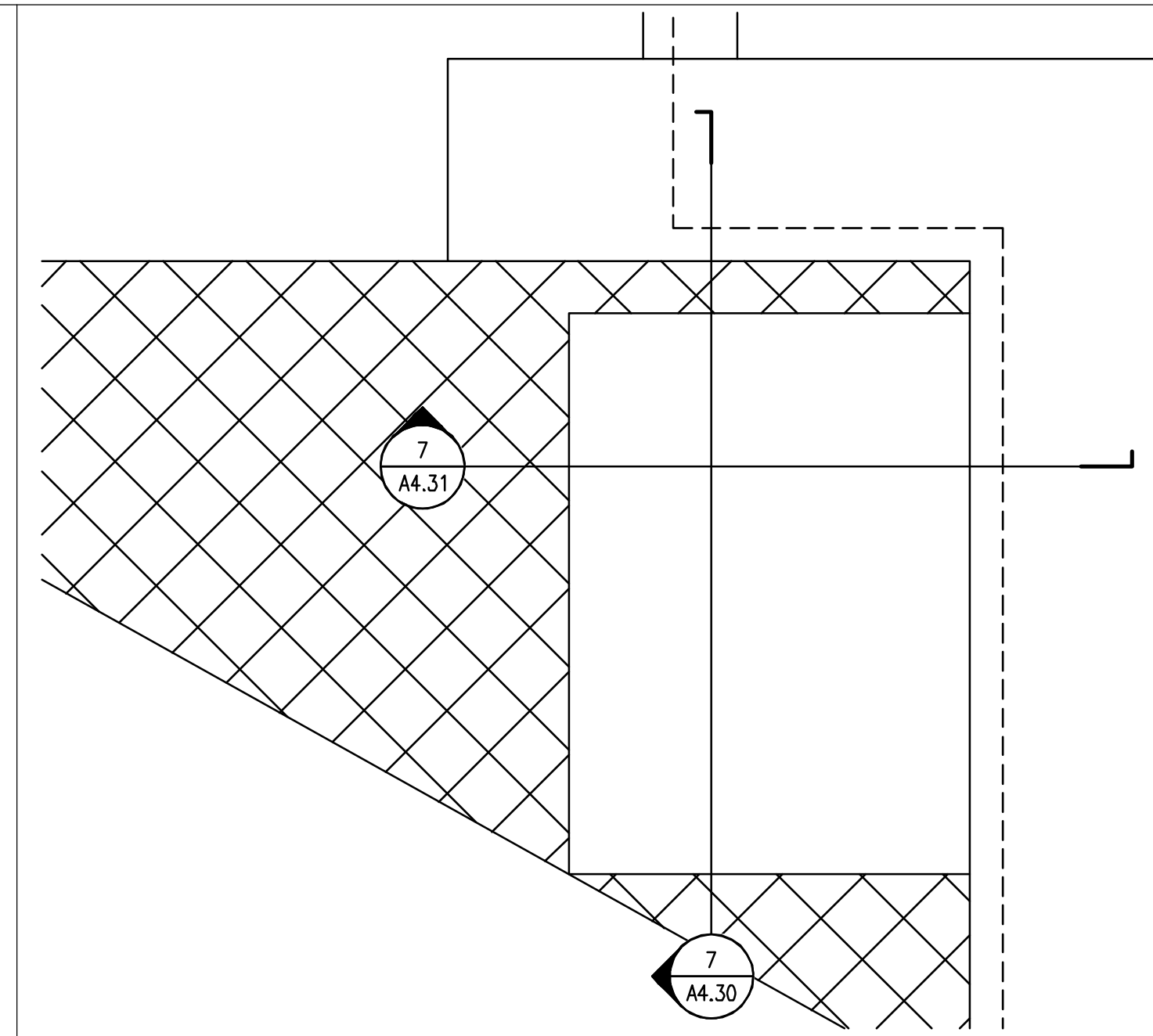
Scale: 3/8" = 1'-0"
Date: SEPTEMBER 14, 2007

Revisions:

- △
- △
- △
- △
- △

Drawing Number:

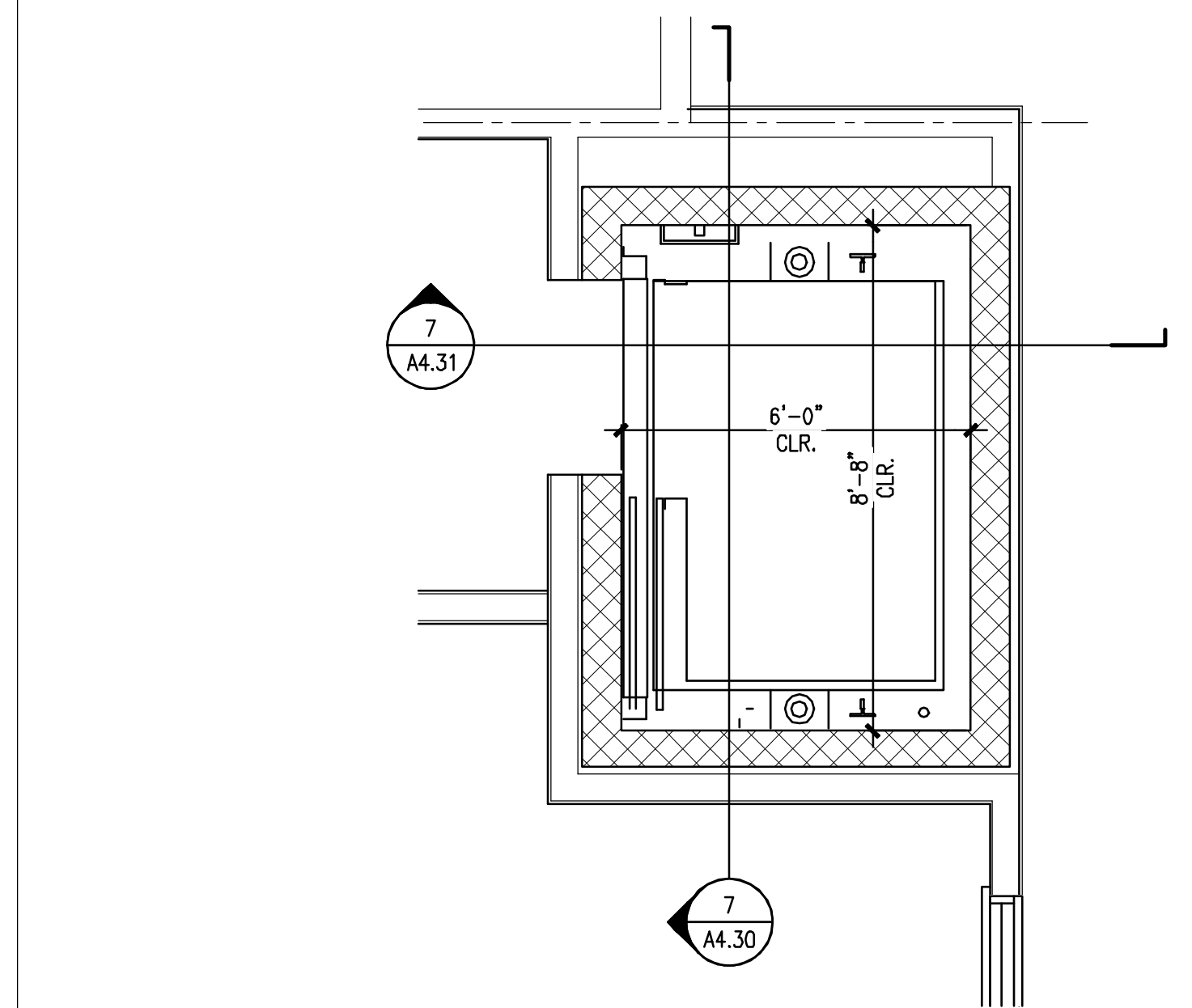
A4.31



3 ENLARGED PLAN @ ELEVATOR ROOF

REFERENCED FROM:

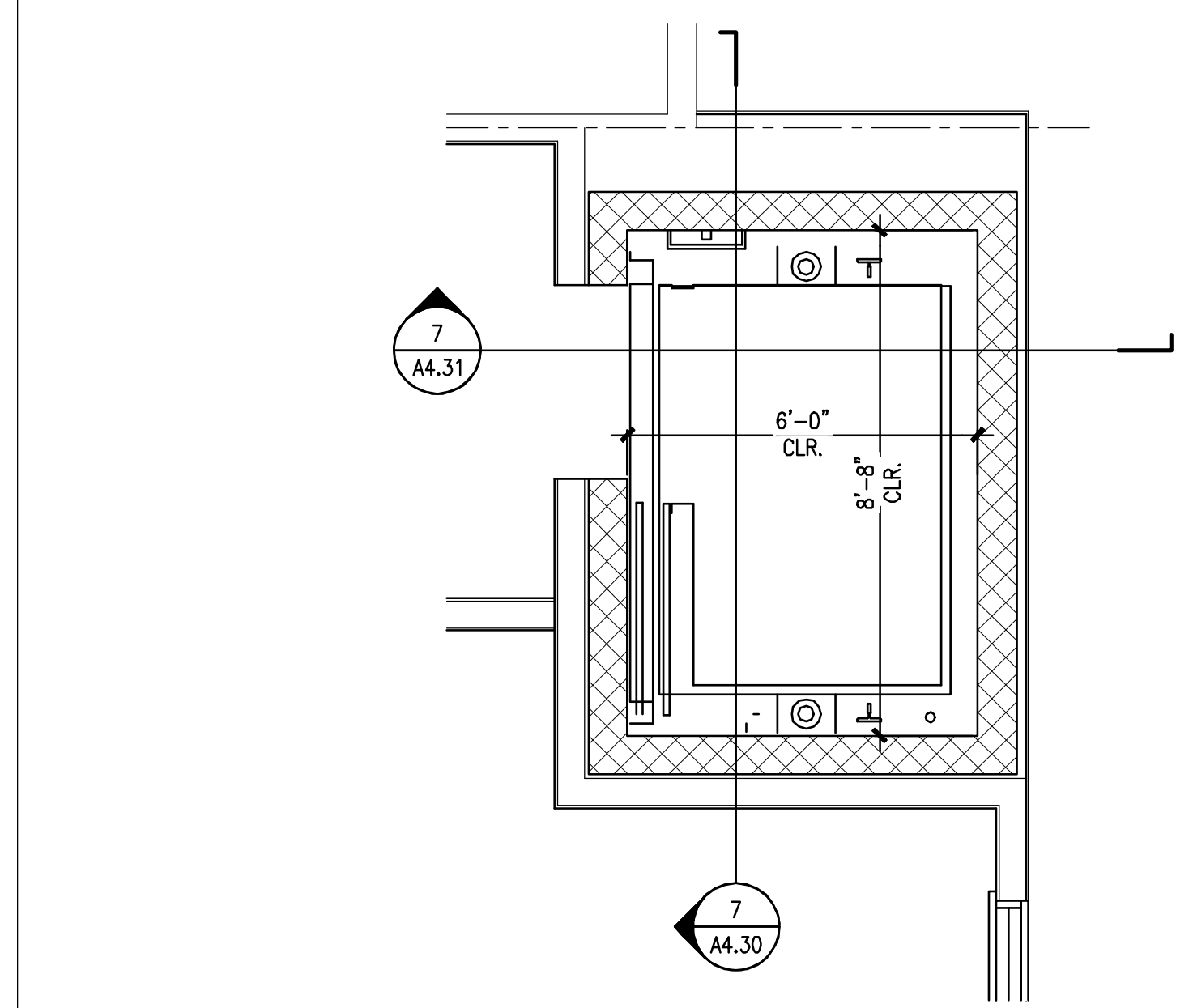
SCALE: 3/8" = 1'-0"



6 ENLARGED PLAN @ FOURTH FLOOR ELEVATOR

REFERENCED FROM:

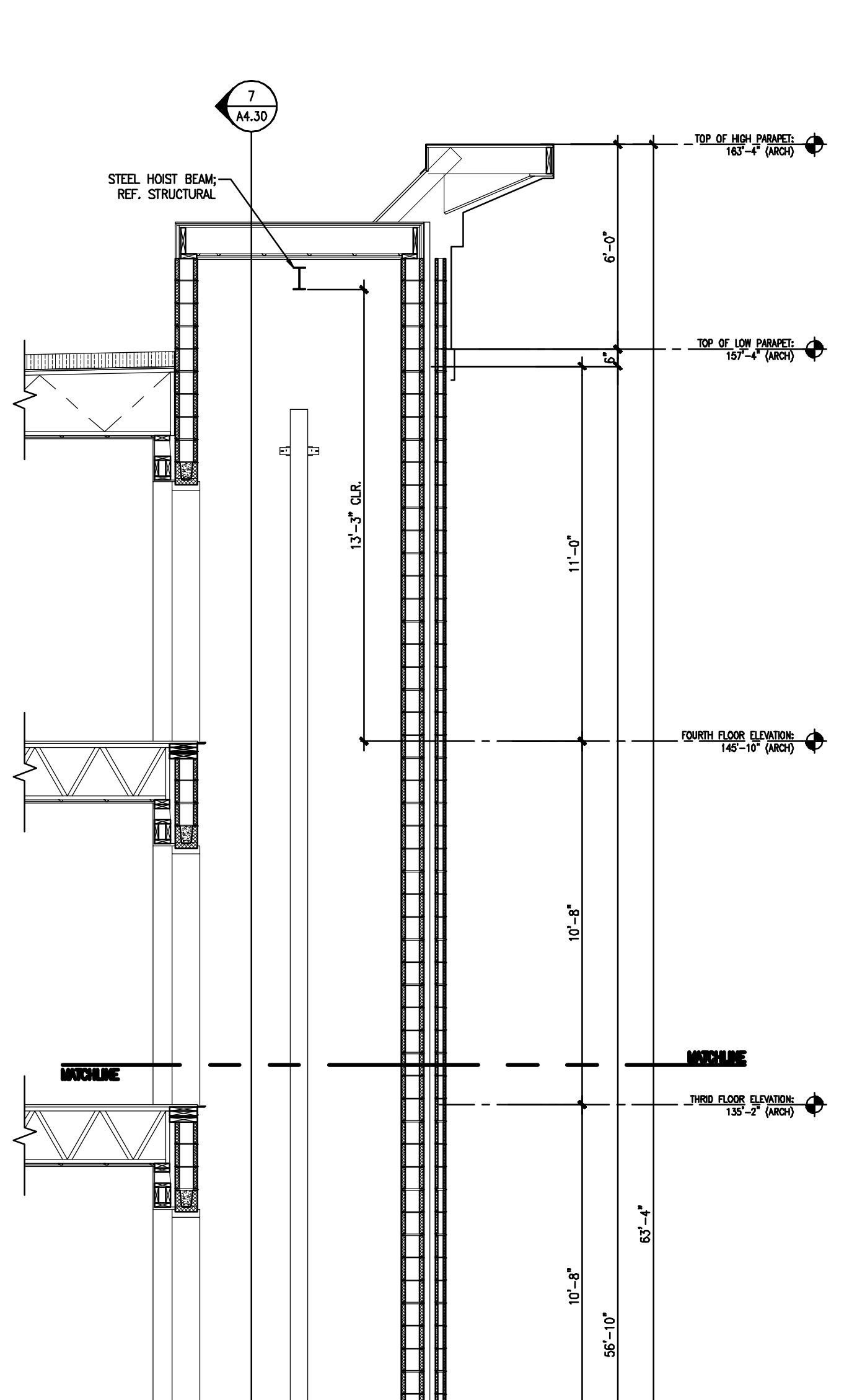
SCALE: 3/8" = 1'-0"



9 ENLARGED PLAN @ THIRD FLOOR ELEVATOR

REFERENCED FROM:

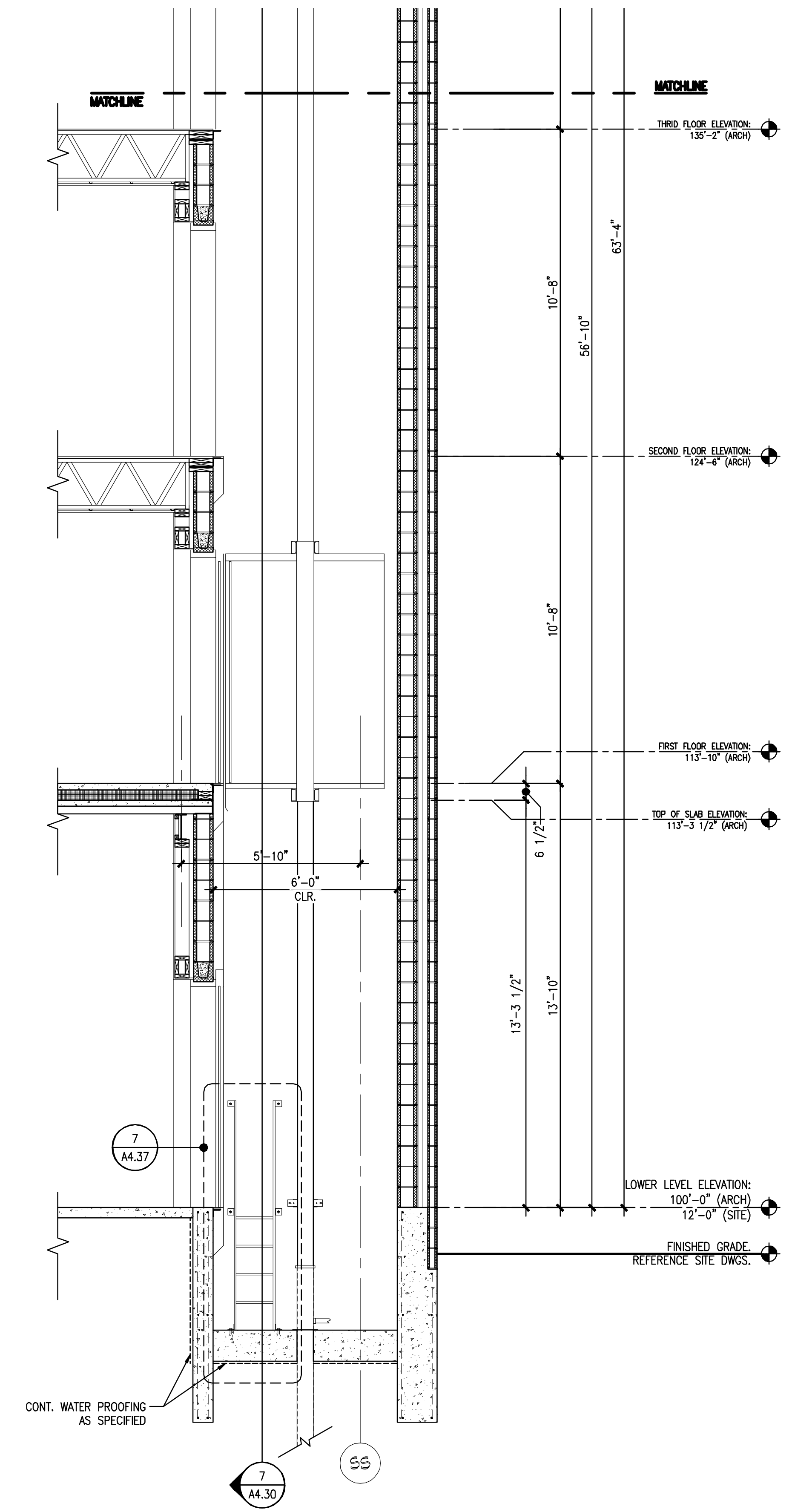
SCALE: 3/8" = 1'-0"



7 SECTION @ ELEVATOR

REFERENCED FROM:

SCALE: 3/8" = 1'-0"



9

ENLARGED PLAN @ THIRD FLOOR ELEVATOR

REFERENCED FROM:

SCALE: 3/8" = 1'-0"