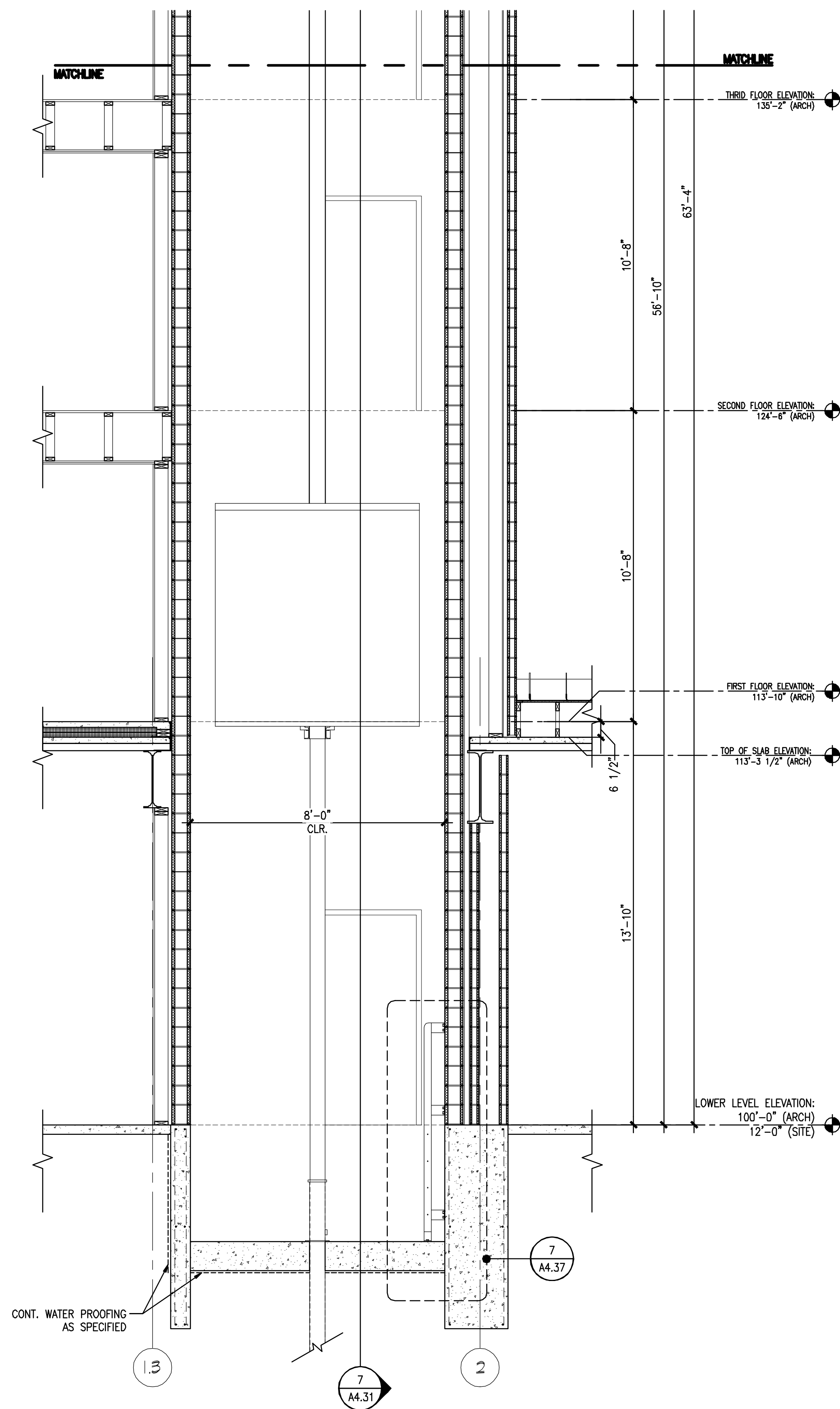
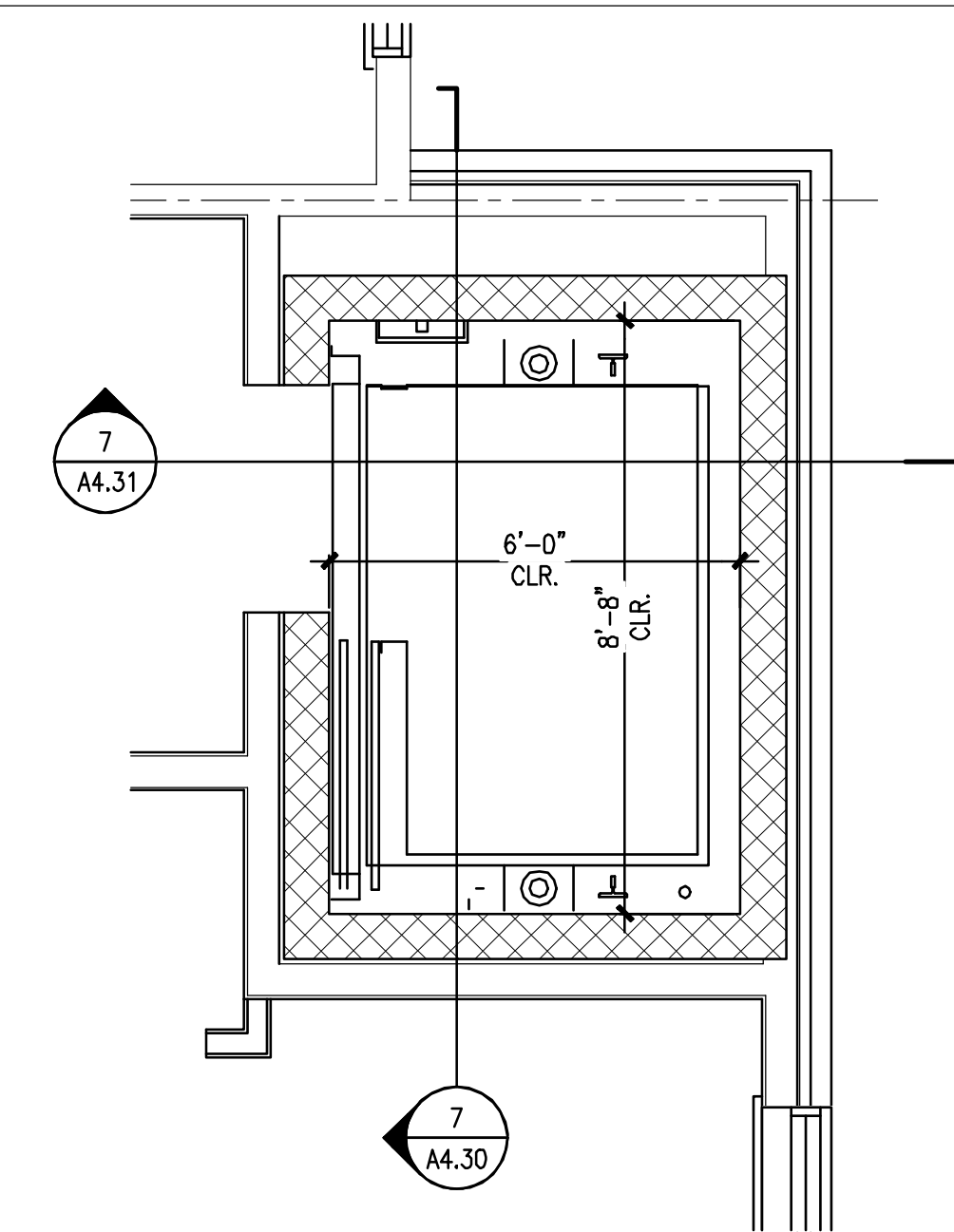


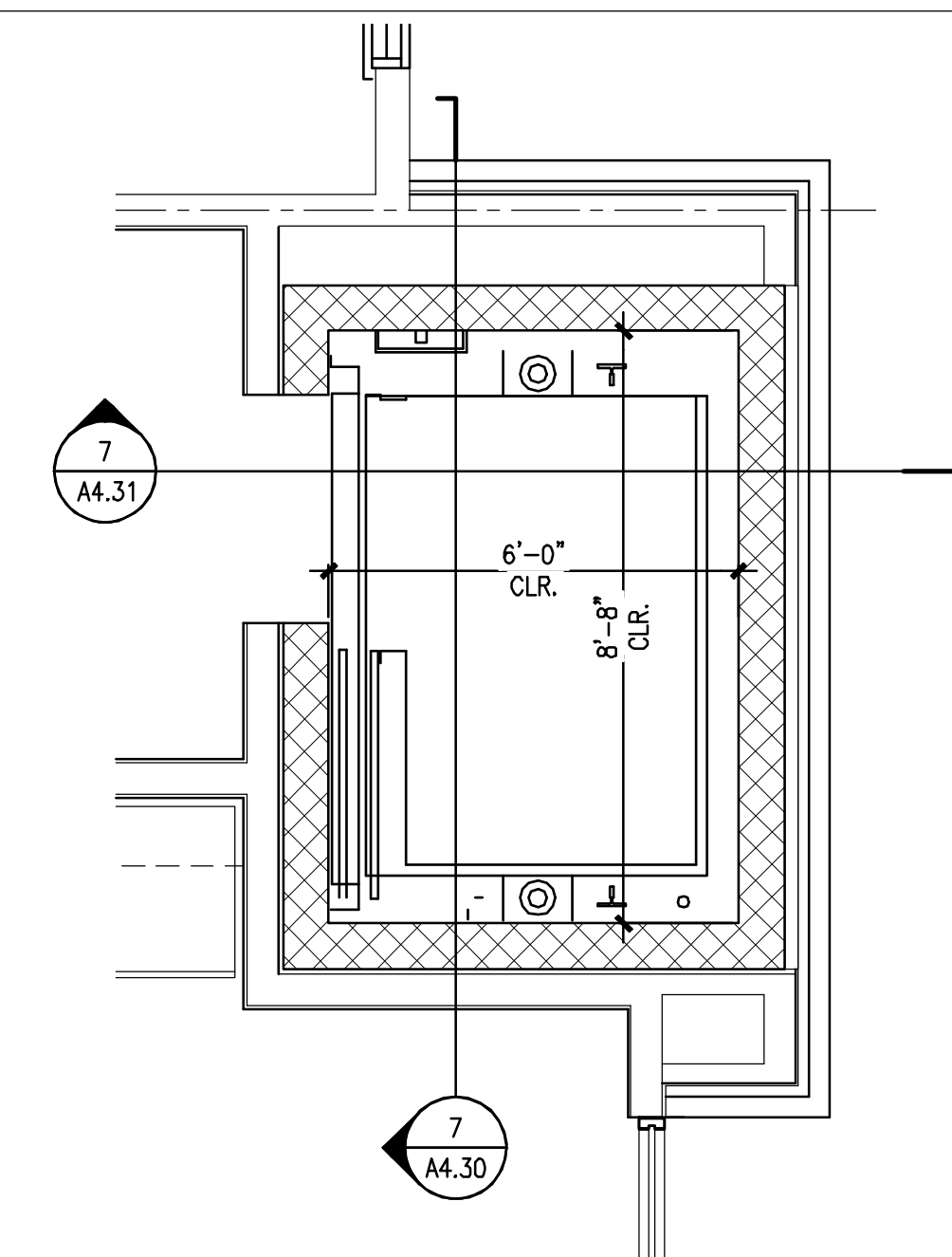
7 SECTION @ ELEVATOR
REFERENCED FROM:



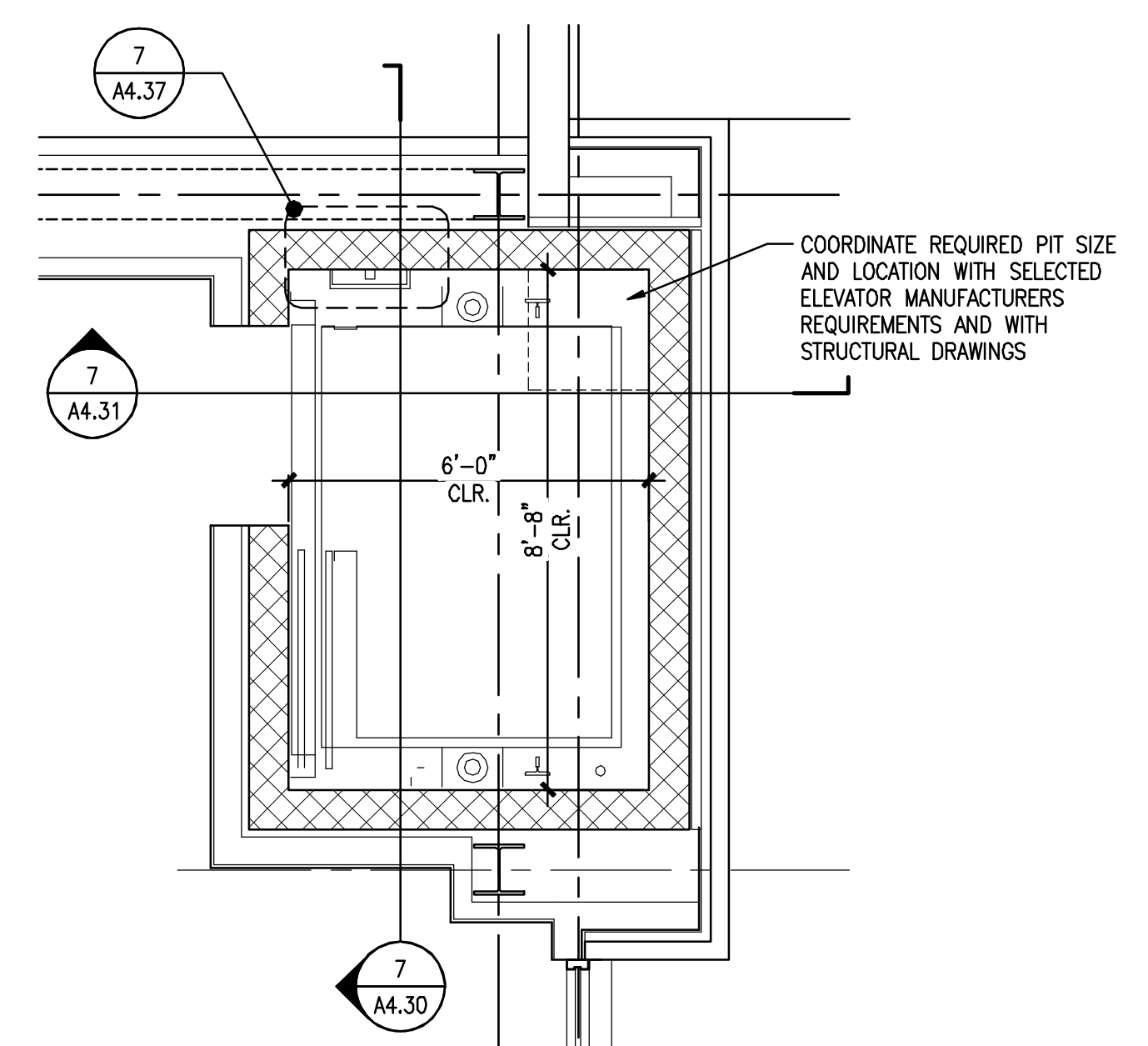
SCALE: 3/8" = 1'-0"



3 ENLARGED PLAN @ SECOND FLOOR ELEVATOR
REFERENCED FROM: SCALE: 3/8" = 1'-0"



6 ENLARGED PLAN @ FIRST FLOOR ELEVATOR
REFERENCED FROM: SCALE: 3/8" = 1'-0"



9 ENLARGED PLAN @ LOWER LEVEL ELEVATOR
REFERENCED FROM: SCALE: 3/8" = 1'-0"

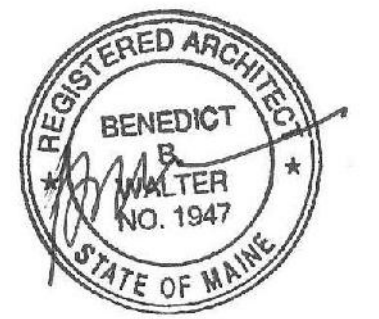


CWS Architects

Architecture
Space Planning
Value Design

434 Cumberland Avenue
Portland, ME 04101
Phone: (207) 774-4441
Fax: (207) 774-4016

www.CWSarch.com



Owner:
SOUTHERN MAINE STUDENT HOUSING LLC
247 COMMERCIAL STREET
ROCKPORT, MAINE 04856
TEL: (207) 236-4067

Contractor:
PIZZAGALLI CONSTRUCTION
131 PRESUMPSCOT STREET
PORTLAND, ME 04103
TEL: (207) 874-2323
FAX: (207) 874-2727

BAYSIDE VILLAGE - A STUDENT HOUSING COMPLEX

132 MARGINAL WAY
PORTLAND, MAINE

Project No: 2006-432/BVP

Drawing Title:
ENLARGED ELEVATOR PLANS AND SECTIONS

Scale: 3/8" = 1'-0"
Date: SEPTEMBER 14, 2007

Revisions:



Drawing Number:

A4.30