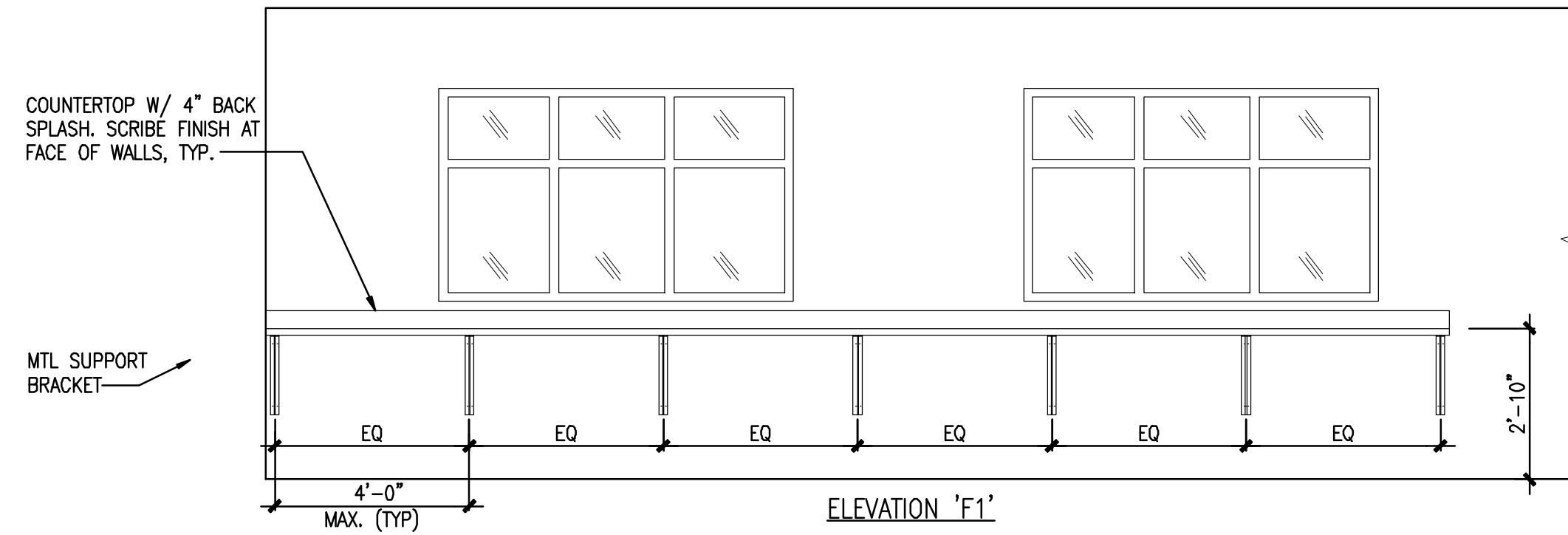


1 INTERIOR ELEVATIONS FOR LAUNDRY ROOM

REFERENCED FROM:

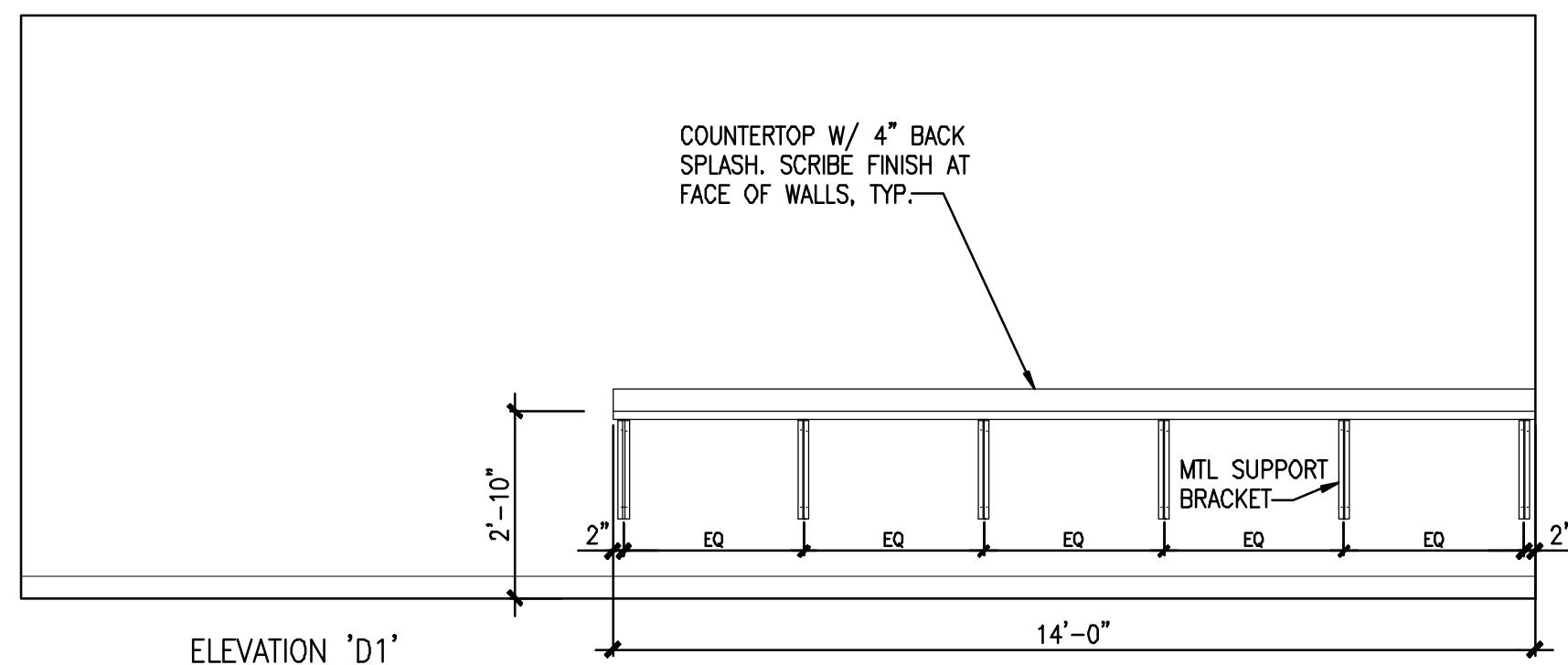
SCALE: 3/8"=1'-0"



2 INTERIOR ELEVATIONS FOR LAUNDRY ROOM

REFERENCED FROM:

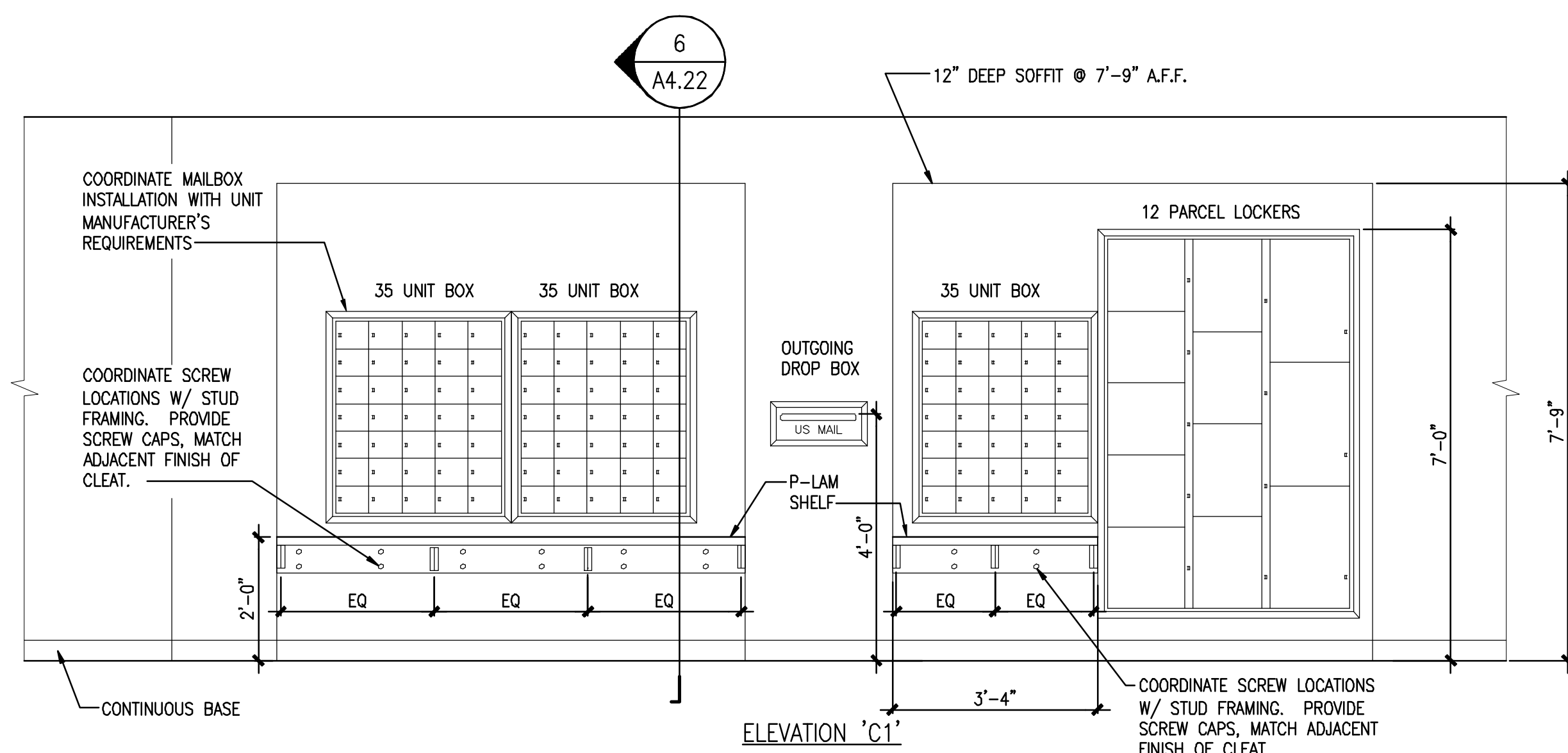
SCALE: 3/8"=1'-0"



4 INTERIOR ELEVATIONS FOR MAIL WORK ROOM

REFERENCED FROM:

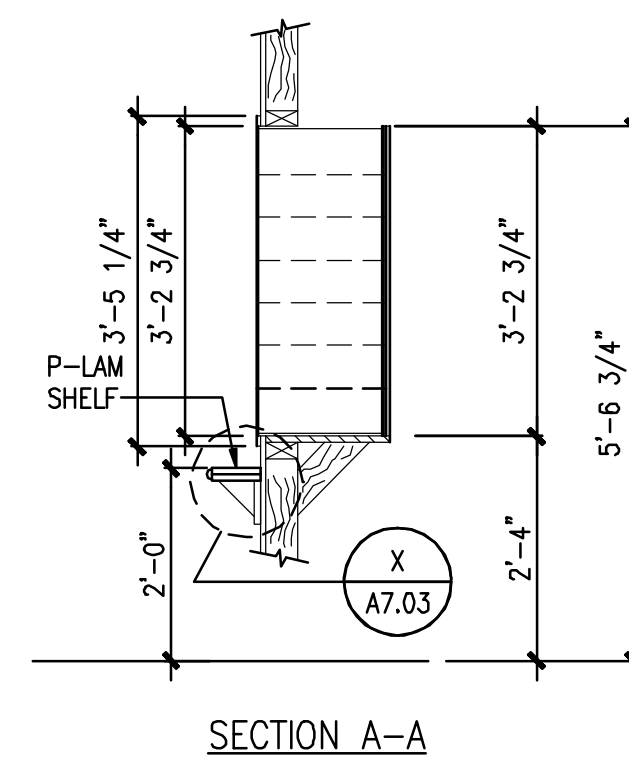
SCALE: 3/8"=1'-0"



5 INTERIOR ELEVATIONS FOR MAIL WORK ROOM

REFERENCED FROM:

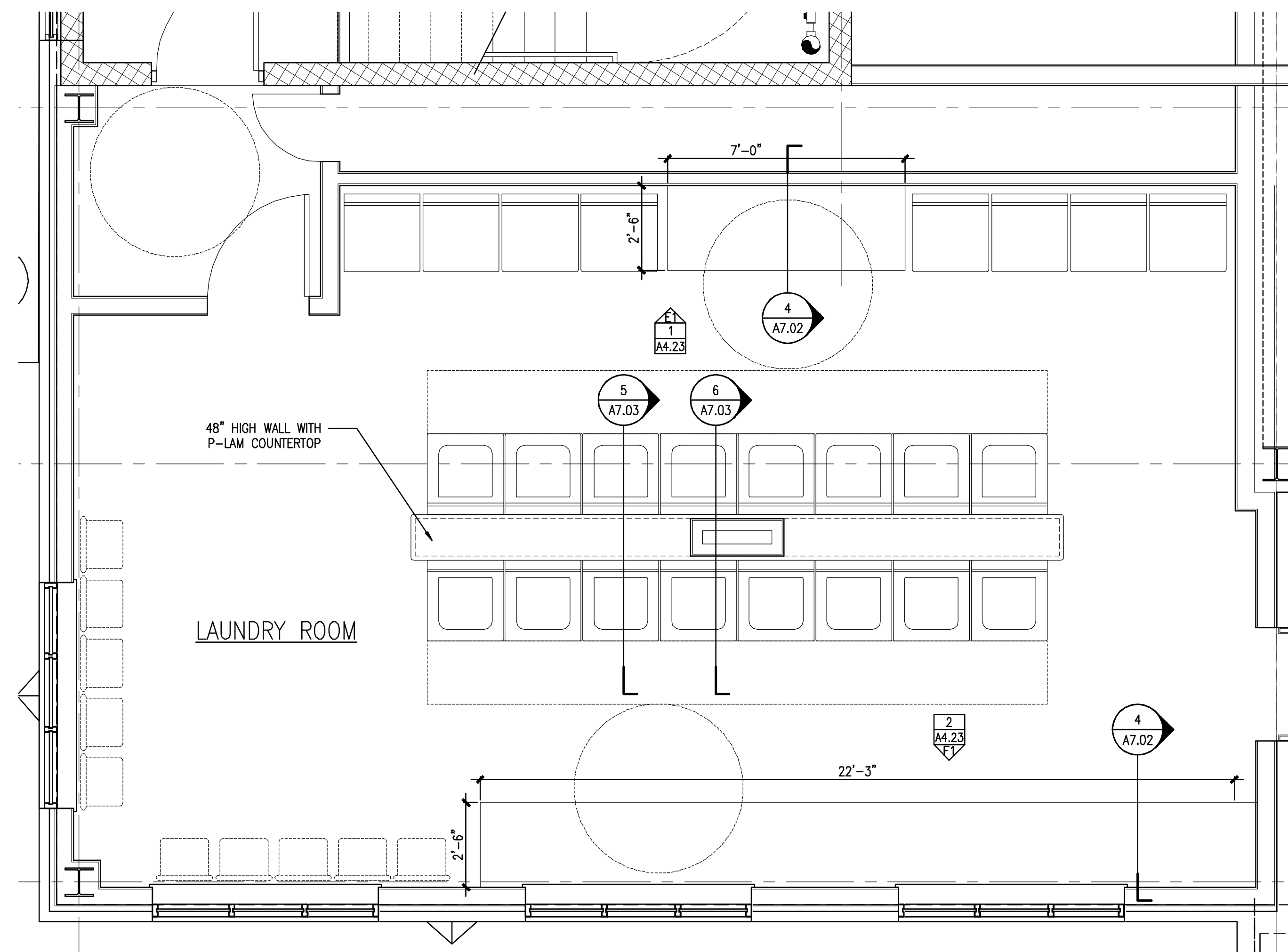
SCALE: 1/2"=1'-0"



6 SECTION THROUGH MAIL BOXES

REFERENCED FROM:

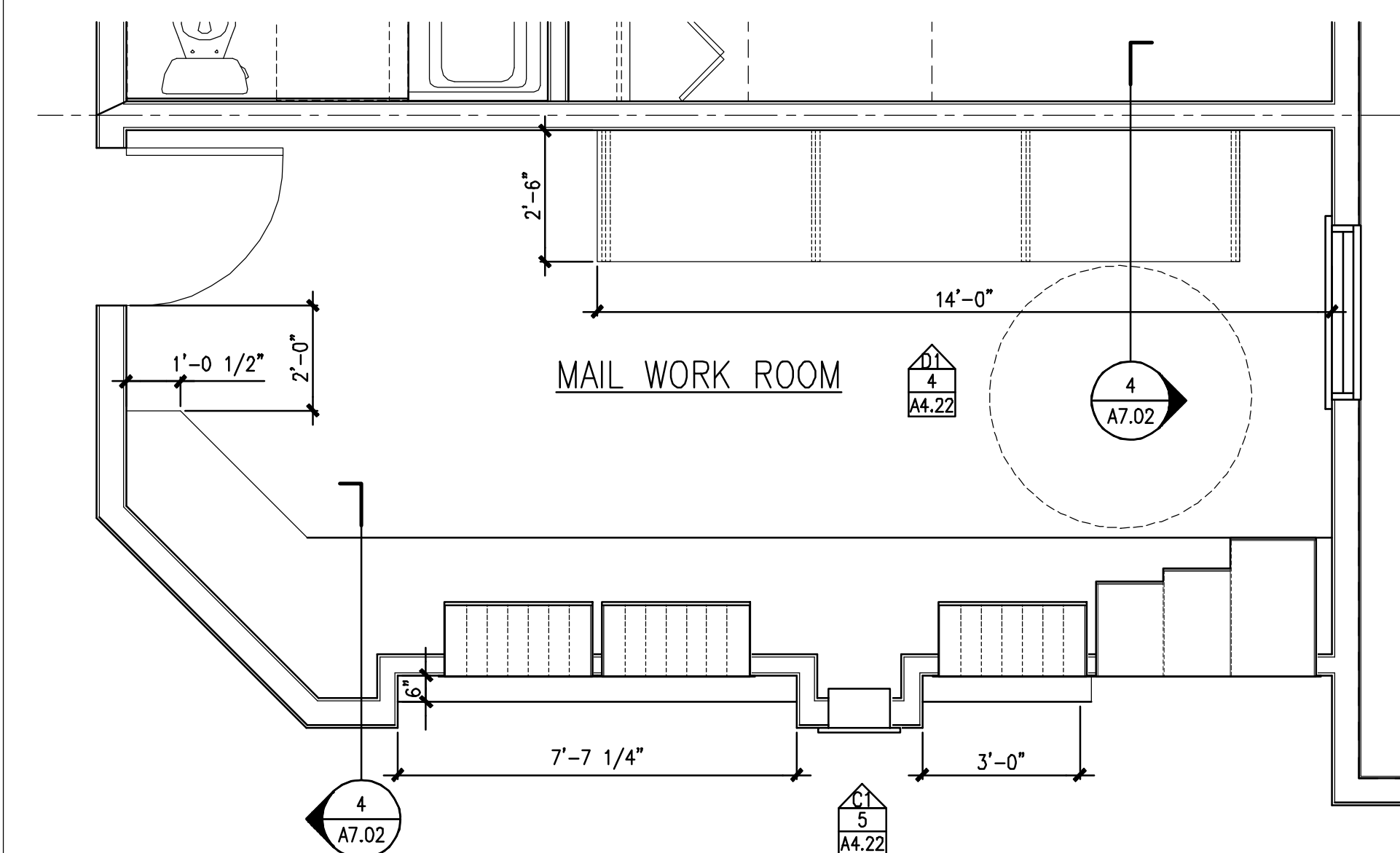
SCALE: 1/2"=1'-0"



3 PLAN OF LAUNDRY ROOM

REFERENCED FROM:

SCALE: 3/8"=1'-0"



7 PLAN OF MAIL WORK ROOM

REFERENCED FROM:

SCALE: 3/8"=1'-0"



CWS Architects

Architecture
Space Planning
Value Design

434 Cumberland Avenue
Portland, ME 04101
Phone: (207) 774-4441
Fax: (207) 774-4016

www.CWSArch.com



Owner:
SOUTHERN MAINE STUDENT HOUSING LLC
247 COMMERCIAL STREET
ROCKPORT, MAINE 04856
TEL: (207) 236-4067

Contractor:
PIZZAGALLI CONSTRUCTION
131 PRESUMPSCOT STREET
PORTLAND, ME 04103
TEL: (207) 874-2323
FAX: (207) 874-2727

BAYSIDE VILLAGE - A STUDENT HOUSING COMPLEX

132 MARGINAL WAY
PORTLAND, MAINE

Project No: 2006-432/BVP

Drawing Title:
INTERIOR ELEVATIONS COMMON SPACES

Scale: AS NOTED
Date: SEPTEMBER 14, 2007

Revisions:



Drawing Number:

A4.22