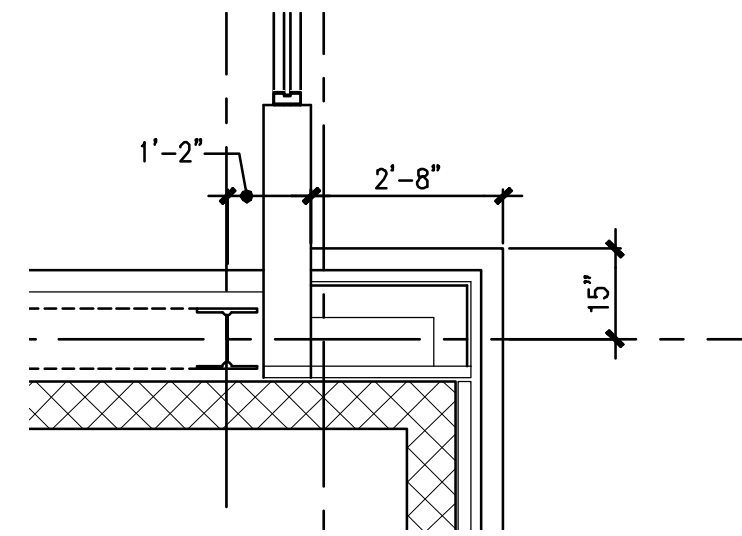
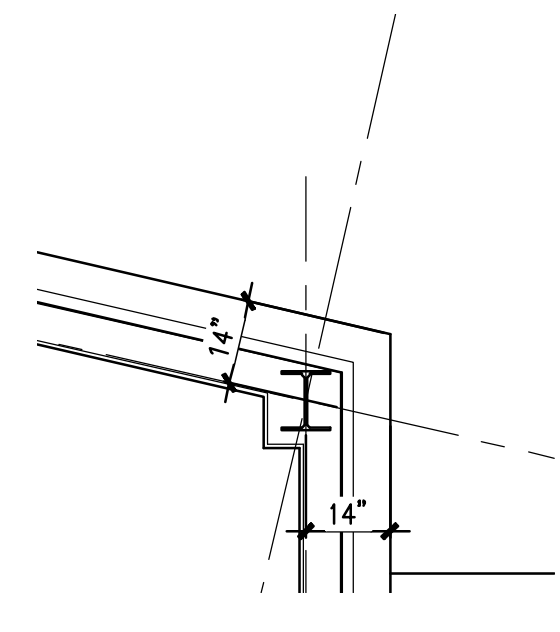


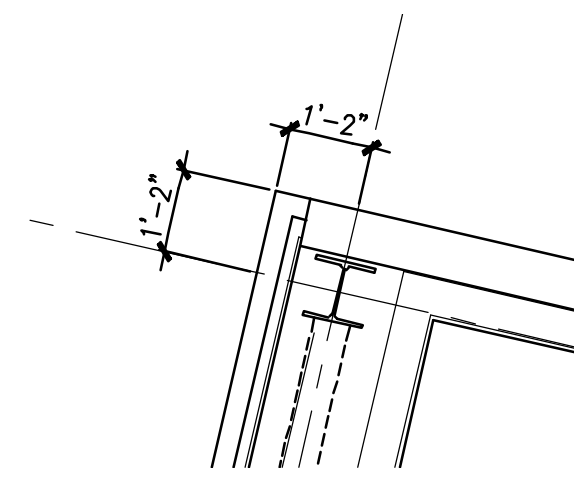
1 DETAIL @ BLDG CORNER
SCALE: 3/8" = 1'-0"



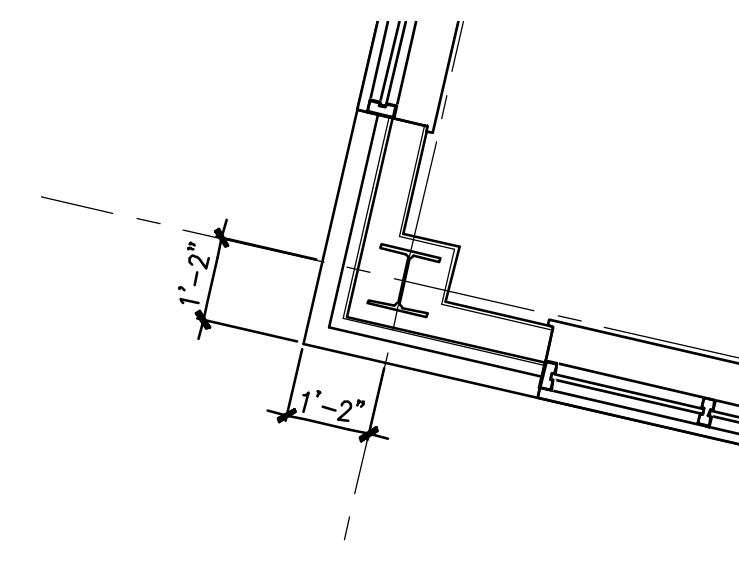
2 DETAIL @ BLDG CORNER
SCALE: 3/8" = 1'-0"



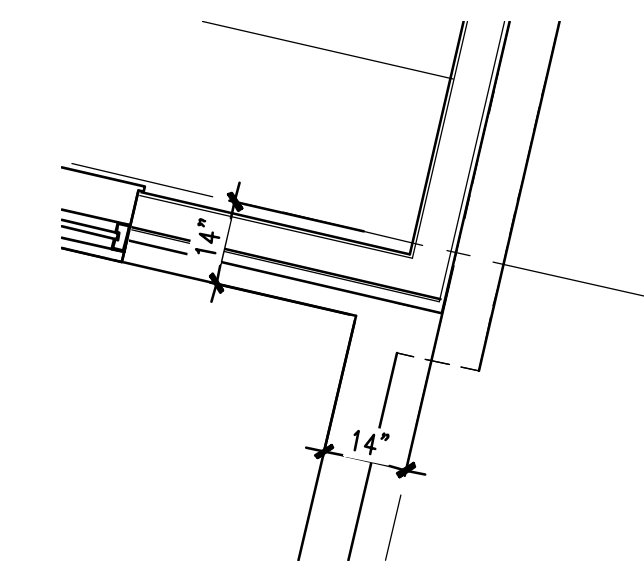
3 DETAIL @ BLDG CORNER
SCALE: 3/8" = 1'-0"



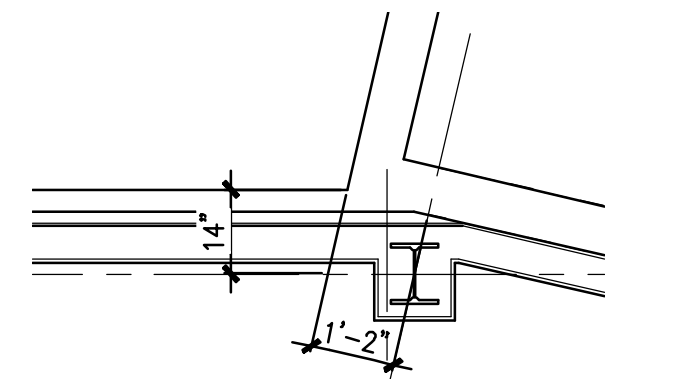
4 DETAIL @ BLDG CORNER
SCALE: 3/8" = 1'-0"



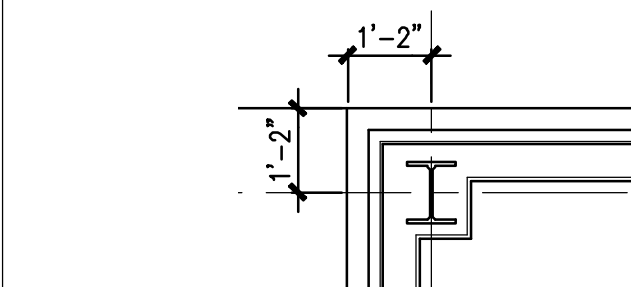
5 DETAIL @ BLDG CORNER
SCALE: 3/8" = 1'-0"



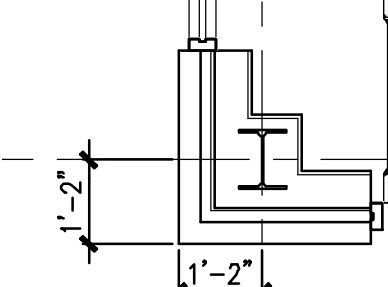
6 DETAIL @ BLDG CORNER
SCALE: 3/8" = 1'-0"



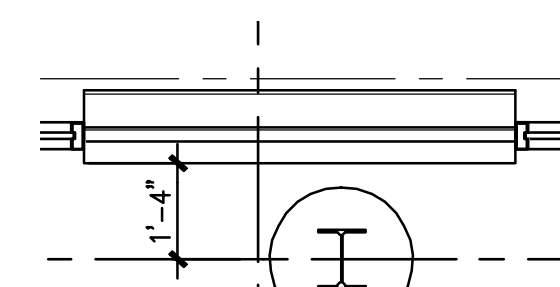
7 DET @ BLD CORNER
SCALE: 3/8" = 1'-0"



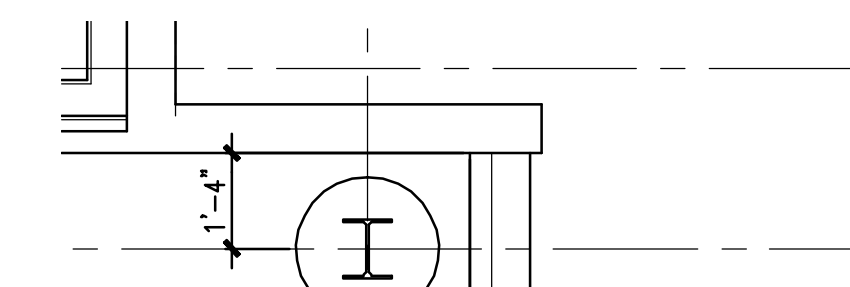
9 DET @ BLDG CORNER
SCALE: 3/8" = 1'-0"



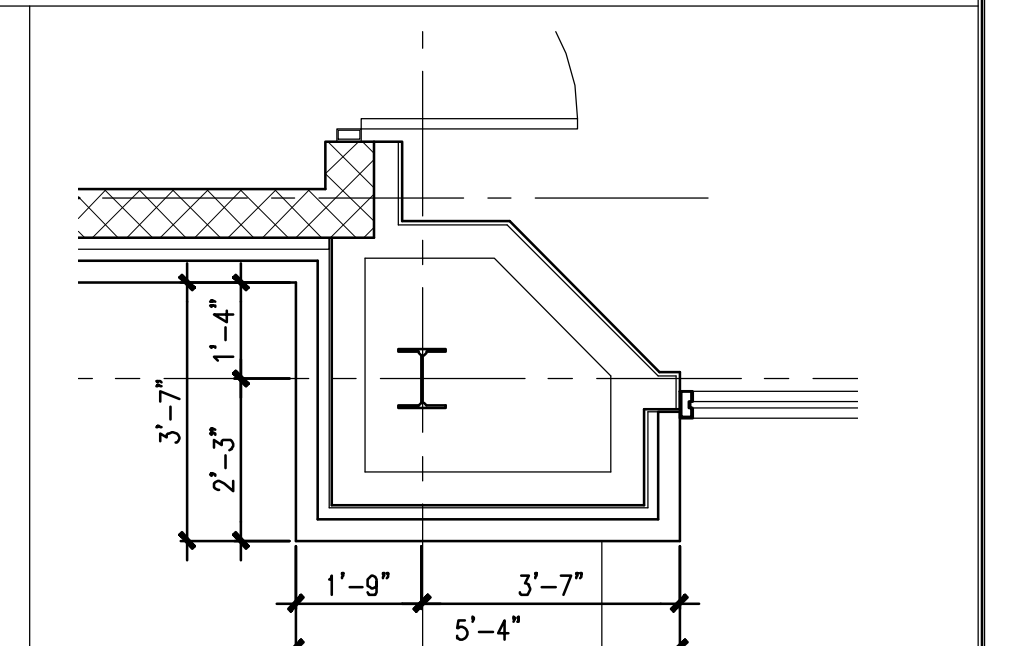
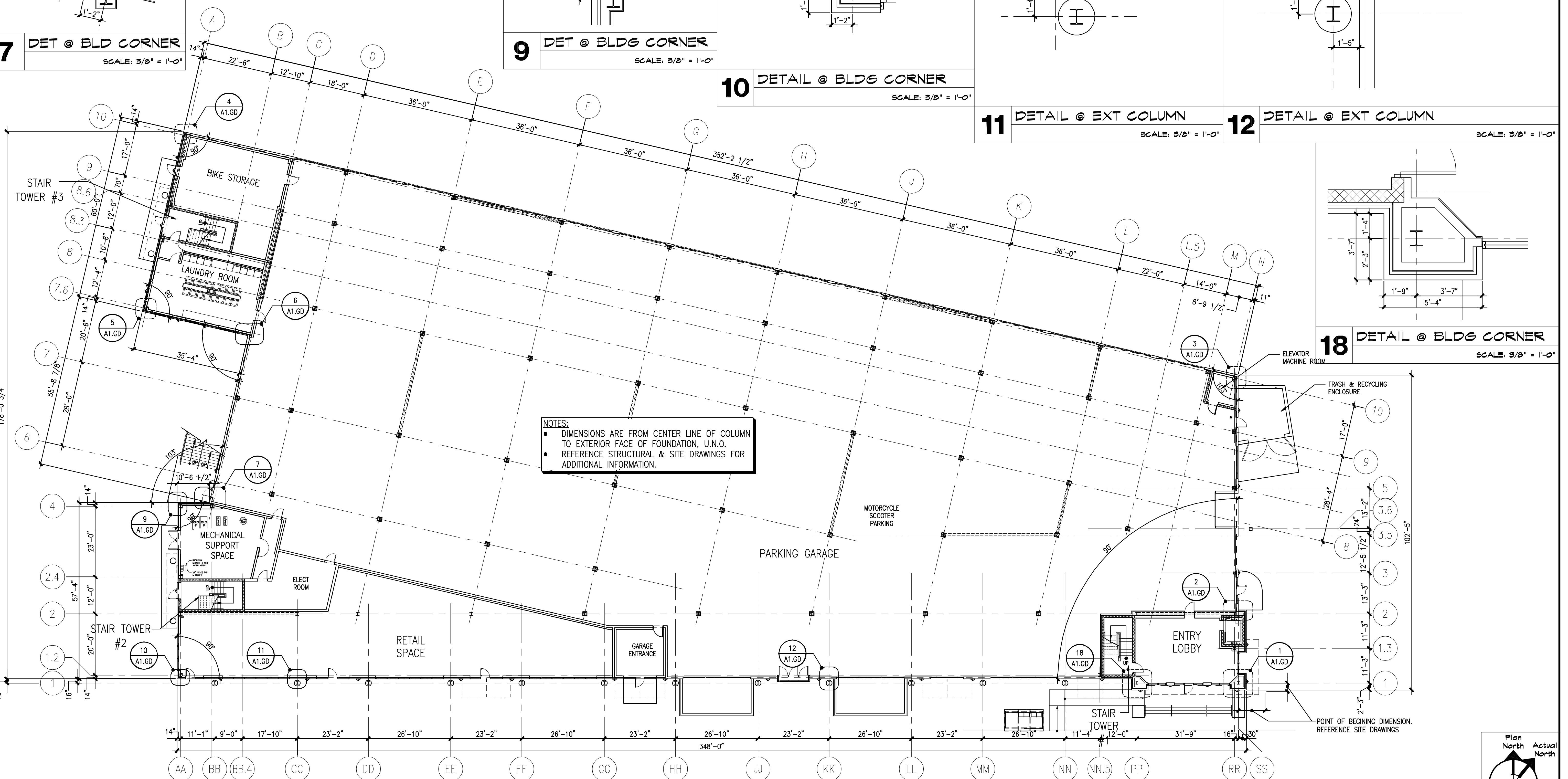
10 DETAIL @ BLDG CORNER
SCALE: 3/8" = 1'-0"



11 DETAIL @ EXT COLUMN
SCALE: 3/8" = 1'-0"



12 DETAIL @ EXT COLUMN
SCALE: 3/8" = 1'-0"



18 DETAIL @ BLDG CORNER
SCALE: 3/8" = 1'-0"

B OVERALL FLOOR PLAN - LOWER LEVEL
REFERENCED FROM: SCALE: 1/16" = 1'-0"



CWS Architects
 Architecture
 Space Planning
 Value Design
 434 Cumberland Avenue
 Portland, ME 04101
 Phone: (207) 774-4441
 Fax: (207) 774-4016
 www.CWSArch.com



Owner: **SOUTHERN MAINE STUDENT HOUSING LLC**
 247 COMMERCIAL STREET
 ROCKPORT, MAINE 04856
 TEL: (207) 236-4067

Contractor: **PIZZAGALLI CONSTRUCTION**
 131 PRESUMPCOT STREET
 PORTLAND, ME 04103
 TEL: (207) 874-2323
 FAX: (207) 874-2727

BAYSIDE VILLAGE - A STUDENT HOUSING COMPLEX
 132 MARGINAL WAY
 PORTLAND, MAINE

Project No: 2006-432/BVP
 Drawing Title: **OVERALL FLOOR PLAN - GARAGE LEVEL DIMENSIONAL**
 Scale: 1/16" = 1'-0"
 Date: SEPTEMBER 14, 2007
 Revisions:

- △
- △
- △
- △
- △

Drawing Number: **A1.GD**

