

Submittal Data: 9RLFW1
Inverter Driven Heat Pump

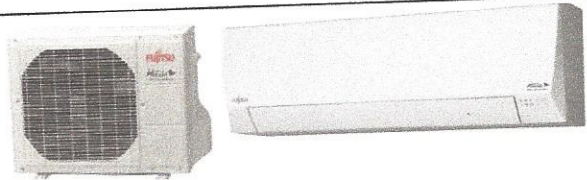
Job Name: _____
 Location: _____
 Engineer: _____
 Submitted to: _____
 Submitted by: _____
 Reference: _____

Date: _____
 Approval: _____
 Construction: _____
 Unit #: _____
 Drawing #: _____

General Features

ired or wireless remote control
 ple catechin filter
 1 deodorizing filter
 to louver: up/down
 to louver: 4-way
 w ambient cooling
 id prevention
 ep timer
 -hour timer
 y mode

•Standard Warranty: 5 years parts, 7 years compressor. Applies to systems purchased before June 1st 2015*
 •Extended Warranty: 10 years parts, 10 years compressor. Systems that have been installed on or after June 1st 2015 by licensed contractors and the online Product Registration has been submitted.**
 •Elite Contractor Extended Warranty: 12 years parts, 12 years compressor. Systems that have been installed on or after June 1st 2015 by contractors who have met requirements and have been approved for elite contractor status plus, the online Product Registration has been submitted.***



Model Information

Condenser..... AOU9RLFW1
 Evaporator..... ASU9RLF1

Electrical

Available Voltage Range..... 208/230 V AC 1ph-60HZ
 Max Fuse Size..... 187 - 253 V +/- 10%
 Max Operating Current..... 15 A

Condenser..... 0.4 A
 Evaporator..... 4.2 A

Input Power
 Cooling..... 0.65 kW
 Heating..... 0.89 kW

Running Current
 Cooling..... 3.2 A
 Heating..... 4.2 A

Capacity

Minimal Cooling..... 9,000 Btu/h
 in-Max Cooling..... 1,700 - 10,900 Btu/h
 Minimal Heating..... 12,000 Btu/h
 in-Max Heating..... 1,700 - 15,000 Btu/h

Compressor

Compressor..... Rotary x1
 Motor Output..... 500 W
 Refrigerant..... R410a
 Charge..... 1 lbs. 14 oz.
 Oil..... RB68

In Motor

Type: DC (condenser)..... Propeller x1
 Type: DC (evaporator)..... Cross flow fan x1
 Motor Output (condenser)..... 23 W
 Motor Output (evaporator)..... 30 W

Heat Exchanger

Condenser
 Length x W x D in. (mm)..... 19-13/16 x 25-1/4 x 1-7/16 (504x642x36.4)
 Fin Pitch..... 18 FPI
 Rows x Stages..... 2 x 24
 Pipe Type (Material)..... Grooved H-Pin (Copper)
 Pipe Type (Material)..... Corrugate (Aluminum)

Operation Temperature Range

Cooling..... 15°F to 115°F (-10°C - 46°C)
 Heating..... 5°F to 75°F (-15°C - 24°C)

Efficiency

SEER..... 23.0
 EER (cooling)..... 4.05 kW/kW
 COP (heating)..... 3.95 kW/kW
 HSPF (heating)..... 11.0 Btu/hW

Enclosure

Material..... Polystyrene
 Evaporator..... Painted galvanized steel
 Condenser.....
 Color..... Beige (10 YR 7.5/1.0 NN)
 Condenser..... White
 Evaporator.....

Sound Pressure Level

Condenser (max)..... 48 dB(A)
 Evaporator (max)..... 43 dB(A)

Dimensions

H x W x D..... 21-1/4 x 26 x 11-7/16in. (540x660x290)
 Condenser in. (mm)..... 10-9/16 x 33-1/16 x 8 (268x840x203)
 Evaporator in. (mm).....

Connection Pipe

Liquid..... 1/4 in. (Ø6.35 mm)
 Gas..... 3/8 in. (Ø9.52 mm)
 Method (Liquid/Gas)..... Flare
 Max Length {(Pre-charge)}..... 66 ft. (20 m) {(49 ft.) (15 m)}
 Max Height Difference..... 49 ft. (15 m)

Weight

Condenser..... 60 lbs. (27 kg)
 Evaporator..... 19 lbs. (8.5 kg)

Accessories

UTY-RNUM*1..... Wired remote control
 UTY-RVNUM*1..... Wired remote control (backlit, shows room temp.)
 UTY-RSNUM*1..... Wired remote control (simple)
 UTY-XWZXZ5..... Dry contact wire kit

Intertek ETL Number

AOU9RLFW1..... 91986
 ASU9RLF1..... 91986

*1 Requires interface kit # UTY-XCBXZ2 in order to connect these devices to them.

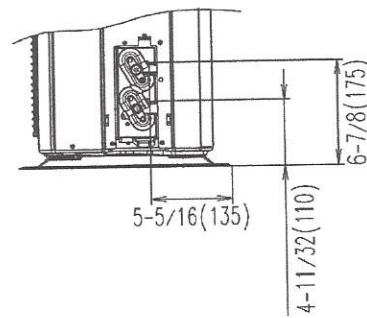
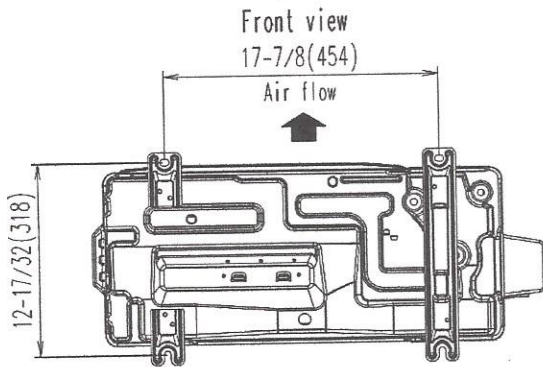
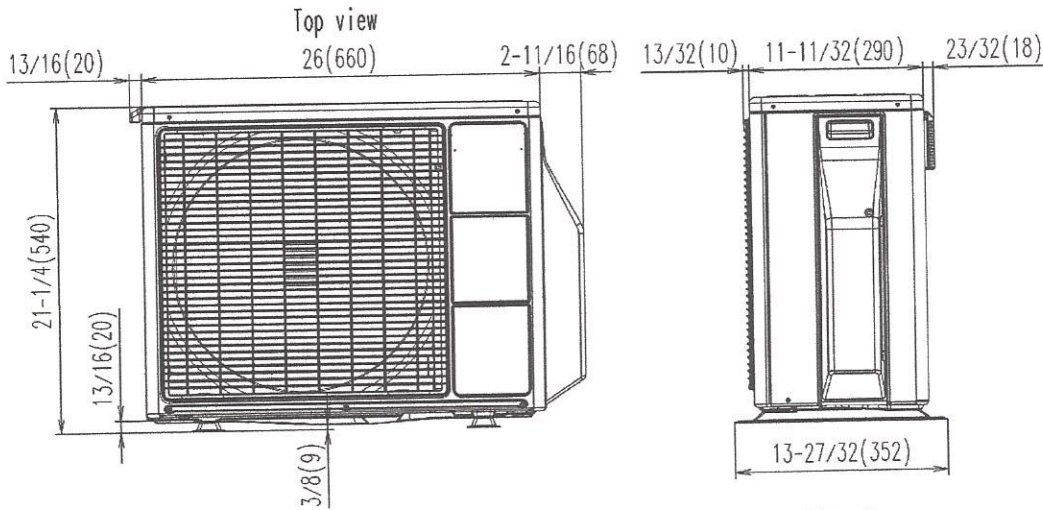
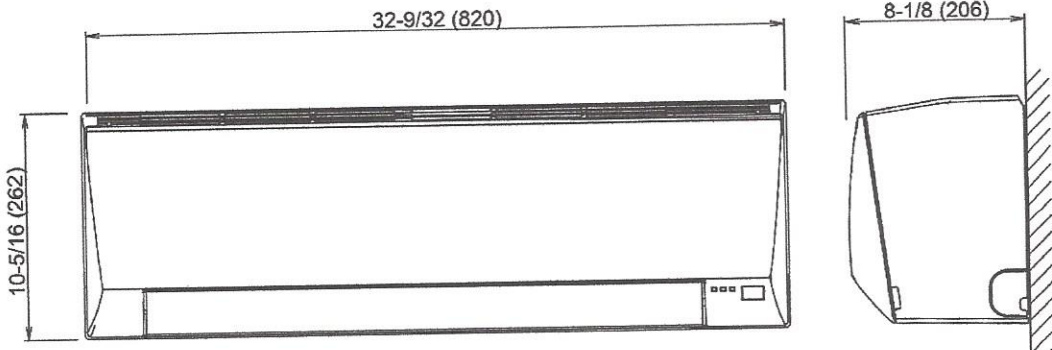
Fujitsu General America, Inc.
 353 Route 46 West
 Fairfield, NJ 07004
 Toll Free: 1-888-888-3424
 Fax: (973) 836-0447
www.fujitsugeneral.com



Specifications are based on the following conditions:
 Cooling: Indoor temperature of 80°F (26.7°C) DB/67°F (19.4°C) WB, and outdoor temperature of 95°F (35°C) DB/75°F (23.9°C) WB.
 Heating: Indoor temperature of 70°F (21.1°C) DB/59°F (15°C) WB, and outdoor temperature of 47°F (8.33°C) DB/43°F (6.11°C) WB.
 Length: 24ft. 7in. (7.5m). Height difference: 0ft. (0m) (Outdoor unit - indoor unit)
 Standard warranty / **10 year warranty / ***12 year warranty

Dimensions: 9RLFW1

[Unit: in. (mm)]



Fujitsu logo is a registered trademark of Fujitsu Limited.
 Halcyon logo and name is a trademark of Fujitsu General America, Inc. Copyright 2016
 Fujitsu General America, Inc.
 Fujitsu's products are subject to continuous improvements. Fujitsu reserves the right to
 modify product design, specifications and information in this brochure without notice and
 without incurring any obligations.

Submittal Data: AGU9RLF
Inverter Driven Heat Pump

Job Name: _____
 Location: _____
 Engineer: _____
 Submitted to: _____
 Submitted by: _____
 Reference: _____

Date: _____
 Approval: _____
 Construction: _____
 Unit #: _____
 Drawing #: _____

General Features

- Refrigerant Type R410A.
- Wired and wireless remote controllers
- Double swing automatic
- Automatic airflow adjustment
- Weekly timer
- Removable open panel
- Powerful mode
- Program timer
- 5 years standard parts warranty
- Eligible for 10 year or 12 year parts warranty. See warranty statement for details.

Model Information

Model: AGU9RLF
 Condenser Compatibility: AOU9RLFF, AOU9RLFFH, AOU24RLXFZ, AOU24RLXFZH, AOU36RLXFZ, AOU36RLXFZ1, AOU36RLXFZH, AOU45RLXFZ, AOU48RLXFZ, AOU48RLXFZH

Electrical: 208/230V AC 1ph-60Hz
 Available Voltage Range: 208/230 +/- 10%
 Minimum Circuit Ampacity: 0.36 A
 Running Current: 0.15A
 Output Power: 16 W

Capacity: 9,000 Btu/h

Indoor Motor: Cross flow fan x 2
 Motor Output: 16 x 2
 Indoor Motor Protection: off: 302 ± 27°F (150 ± 15°C)
 on: 248 ± 27°F (120 ± 15°C)

Airflow Rate: 336 CFM (570 m3/h) / 271 CFM (460 m3/h) / 212 CFM (360 m3/h) / 159 CFM (270 m3/h)
 Rating (High / Medium / Low / Quiet): 353 CFM (600 m3/h) / 283 CFM (480 m3/h) / 218 CFM (370 m3/h) / 159 CFM (270 m3/h)

Heat Exchanger Dimensions: 14-7/8 x 21-5/8 x 1-1/16 (378x550x26.6)
 Pitch: 21 FPI
 Rows x Stages: 2 x 18
 Coil Type (Material): Copper
 Coil Type: Aluminum



Temperature Setting Range

Cooling: 64°F - 88°F (18°C - 30°C)
 Heating: 60°F - 88°F (16°C - 30°C)

Enclosure

Material: Polystyrene
 Color: White (approximate color of Munsell N9.25)

Sound Pressure Level

Cooling: 39 dB (A) / 34 dB (A) / 28 dB (A) / 22 dB (A)
 Heating: 39 dB (A) / 35 dB (A) / 30 dB (A) / 22 dB (A)

Dimensions

H x W x D: 23-5/8 x 29-1/8 x 7-7/8 (600x740x200)
 in. (mm)

Connection Pipe

Liquid: 1/4" in. (6.35 mm)
 Gas: 3/8" in. (9.52 mm)
 Method (Liquid/Gas): Flare
 Drain hose Material: PVC
 Size: 9/16" (13.8 mm) (I.D.) 5/8" to 11/16" (15.8mm to 16.7mm) (O.D.)

Weight

Net: 31 lbs. (14 kg)
 Gross: 37 lbs. (17 kg)

Accessories

Wired Remote Controller: UTY-RNNUM
 Simple Remote Controller: UTY-RSNUM
 Dry Contact Wire Kit: UTY-XWZXX5

Intertek ETL Number

AGU9RLF: 91986

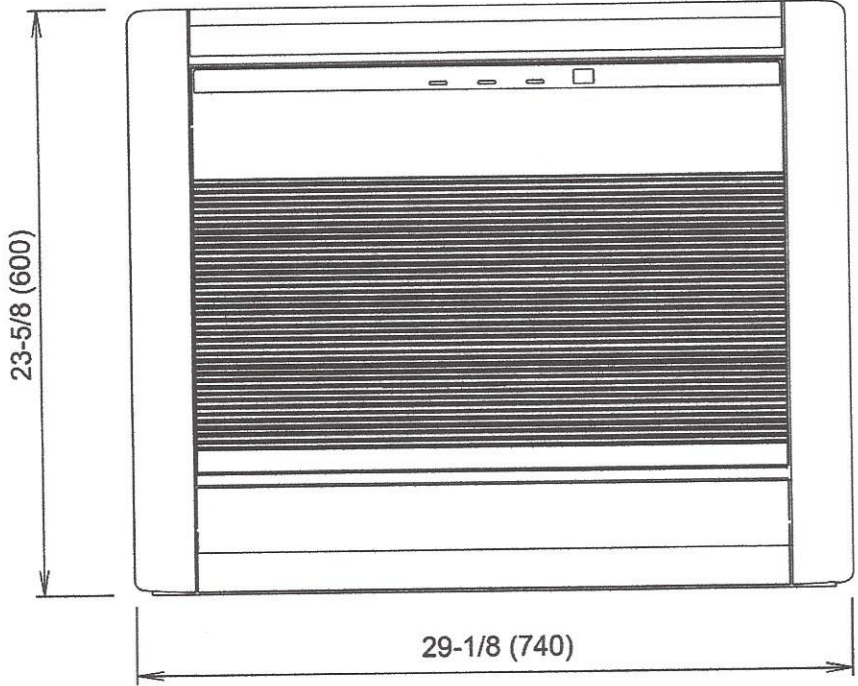
* Specifications are based on the following conditions:
 Cooling: Indoor temperature of 80°F (26.7°C) DB/67°F (19.4°C) WB, and outdoor temperature of 95°F (35°C) DB/75°F (23.9°C) WB.
 Heating: Indoor temperature of 70°F (21.1°C) DB/59°F (15°C) WB, and outdoor temperature of 47°F (8.3°C) DB/43°F (6.1°C) WB.
 Length: 24ft. 7in. (7.3m), Height difference: 0ft. (0m) (Outdoor unit - indoor unit)



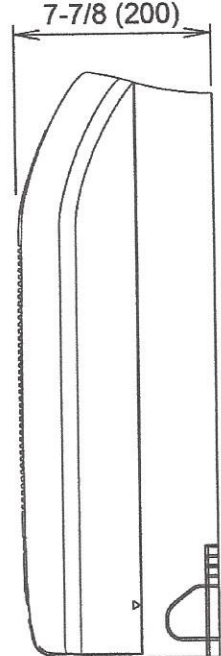
Fujitsu General America, Inc.
 353 Route 46 West
 Fairfield, NJ 07004
 Toll Free: 1-888-888-3424
 Fax: (973) 836-0447
www.fujitsu-general.com

Dimensions: AGU9RLF

[Unit: in. (mm)]

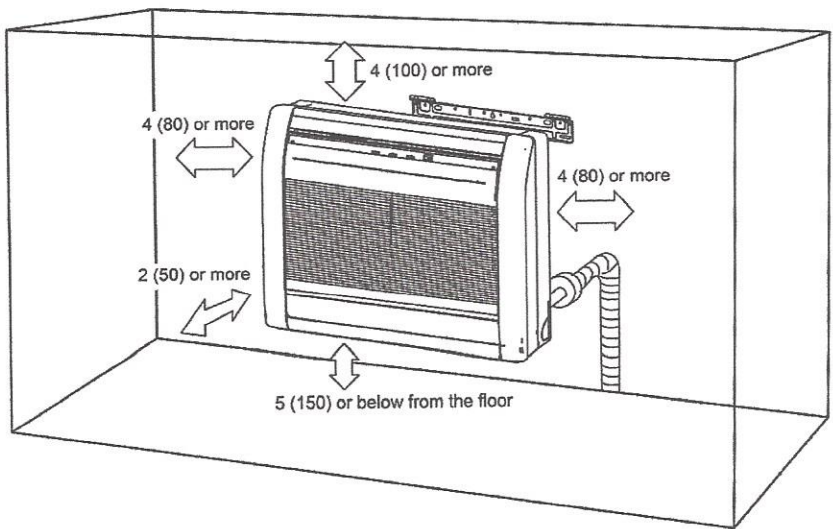


Front view



Side view

■ INSTALLATION PLACE



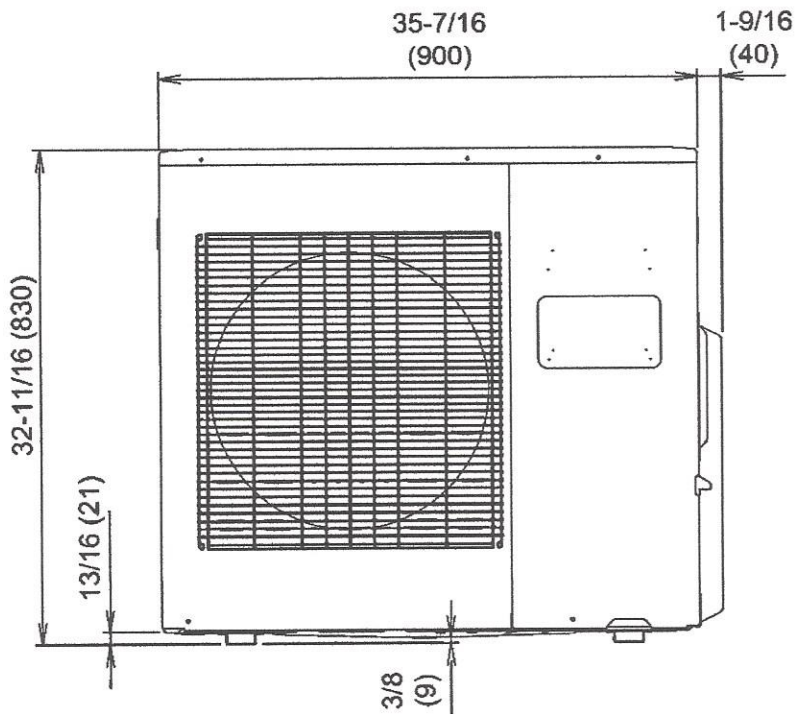
Fujitsu logo is a registered trademark of Fujitsu Limited.
 Halcyon logo and name is a trademark of Fujitsu General America, Inc. Copyright 2016
 Fujitsu General America, Inc.
 Fujitsu's products are subject to continuous improvements. Fujitsu reserves the right to
 modify product design, specifications and information in this brochure without notice and
 without incurring any obligations.



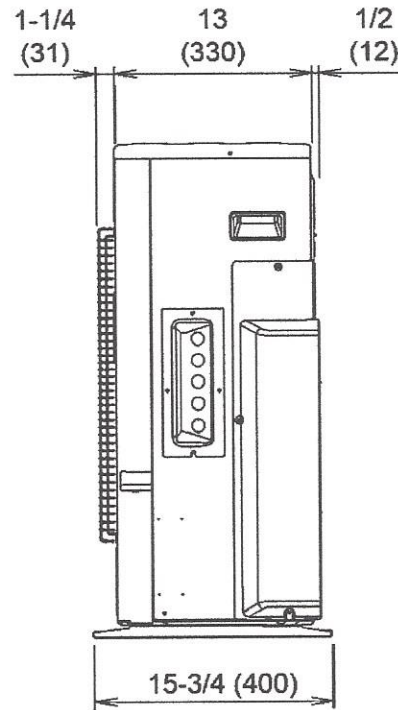
Fujitsu General America, Inc.
 353 Route 46 West
 Fairfield, NJ 07004
 Toll Free: 1-888-888-3424
 Fax: (973) 836-0447
www.fujitsugeneral.com

Dimensions: 18RLXFZH

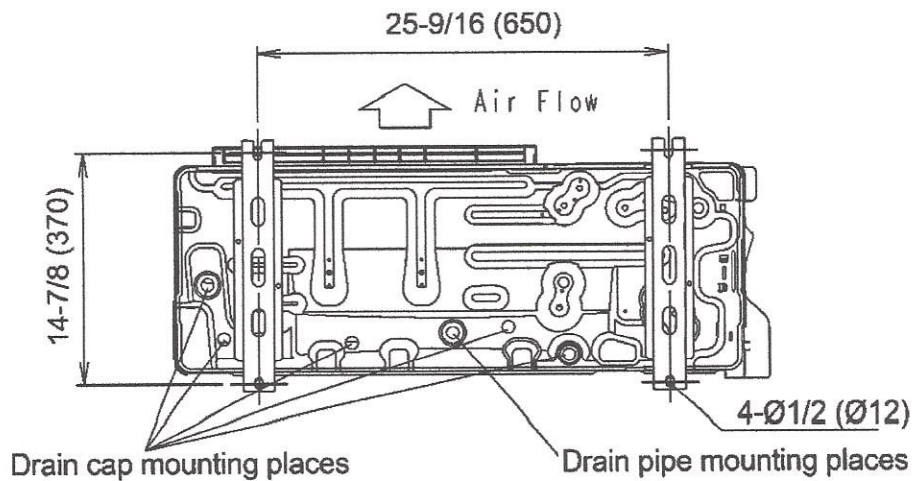
[Unit: in. (mm)]



Front view



Side view



Bottom view