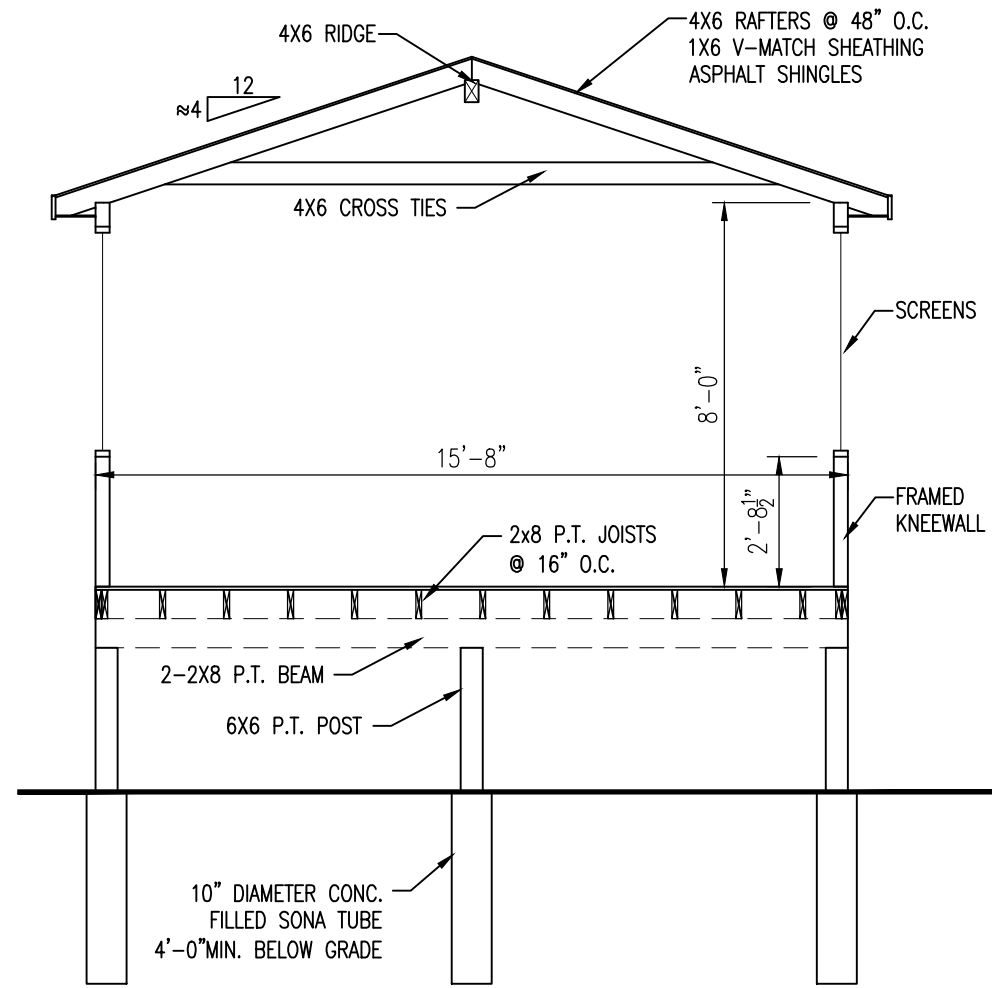
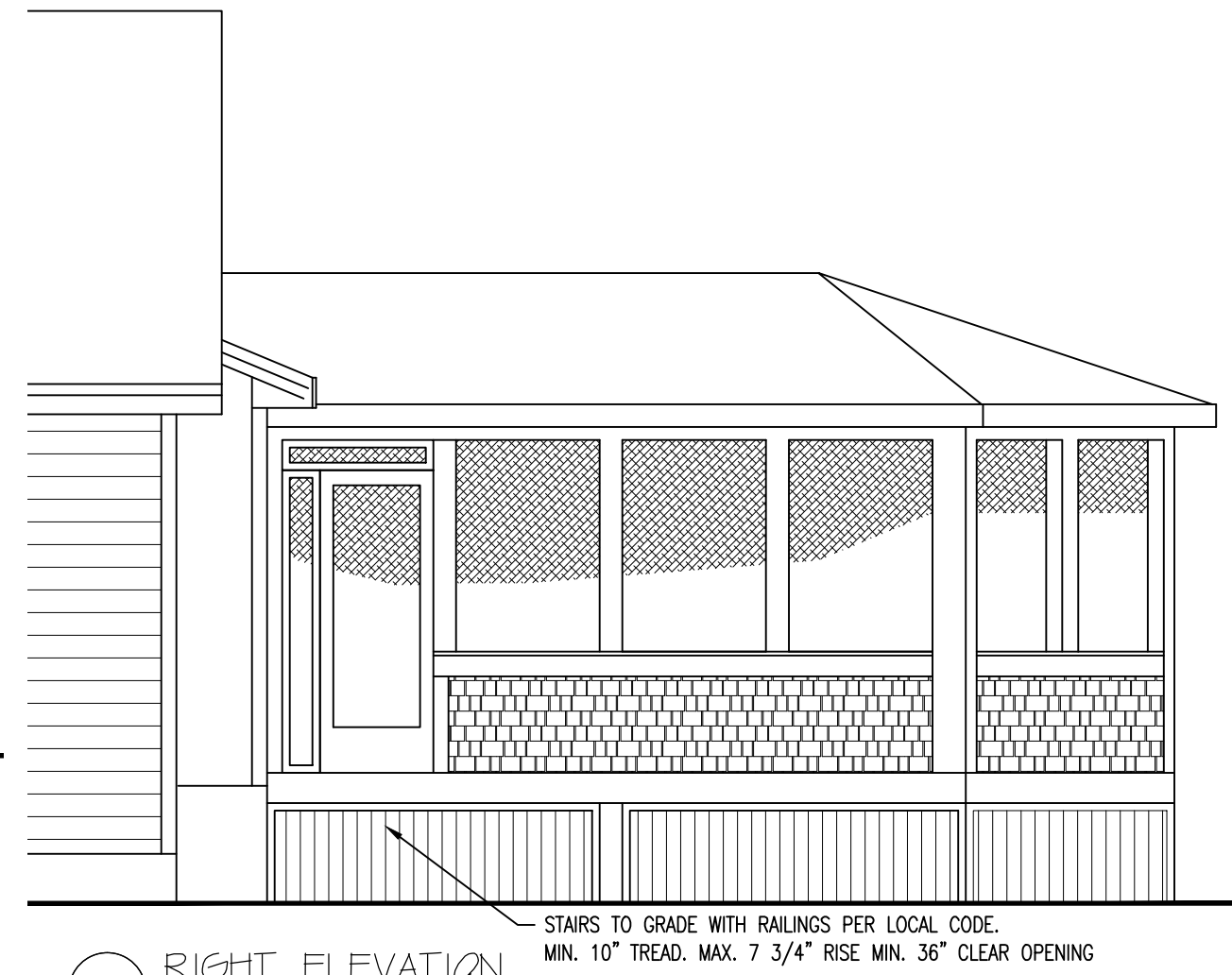




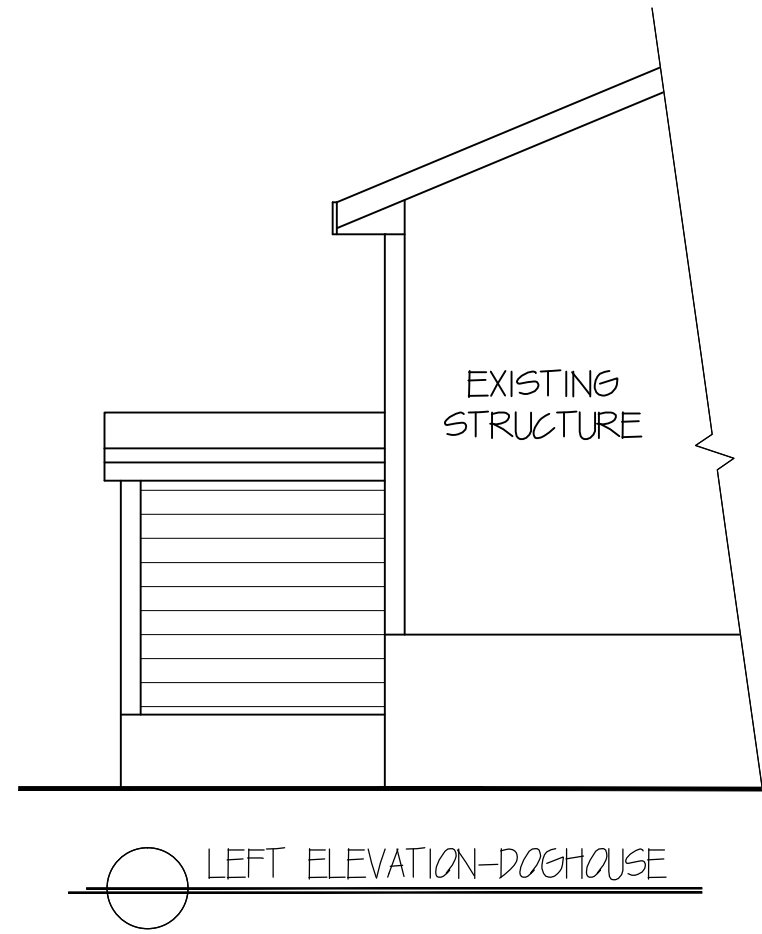
REAR ELEVATION



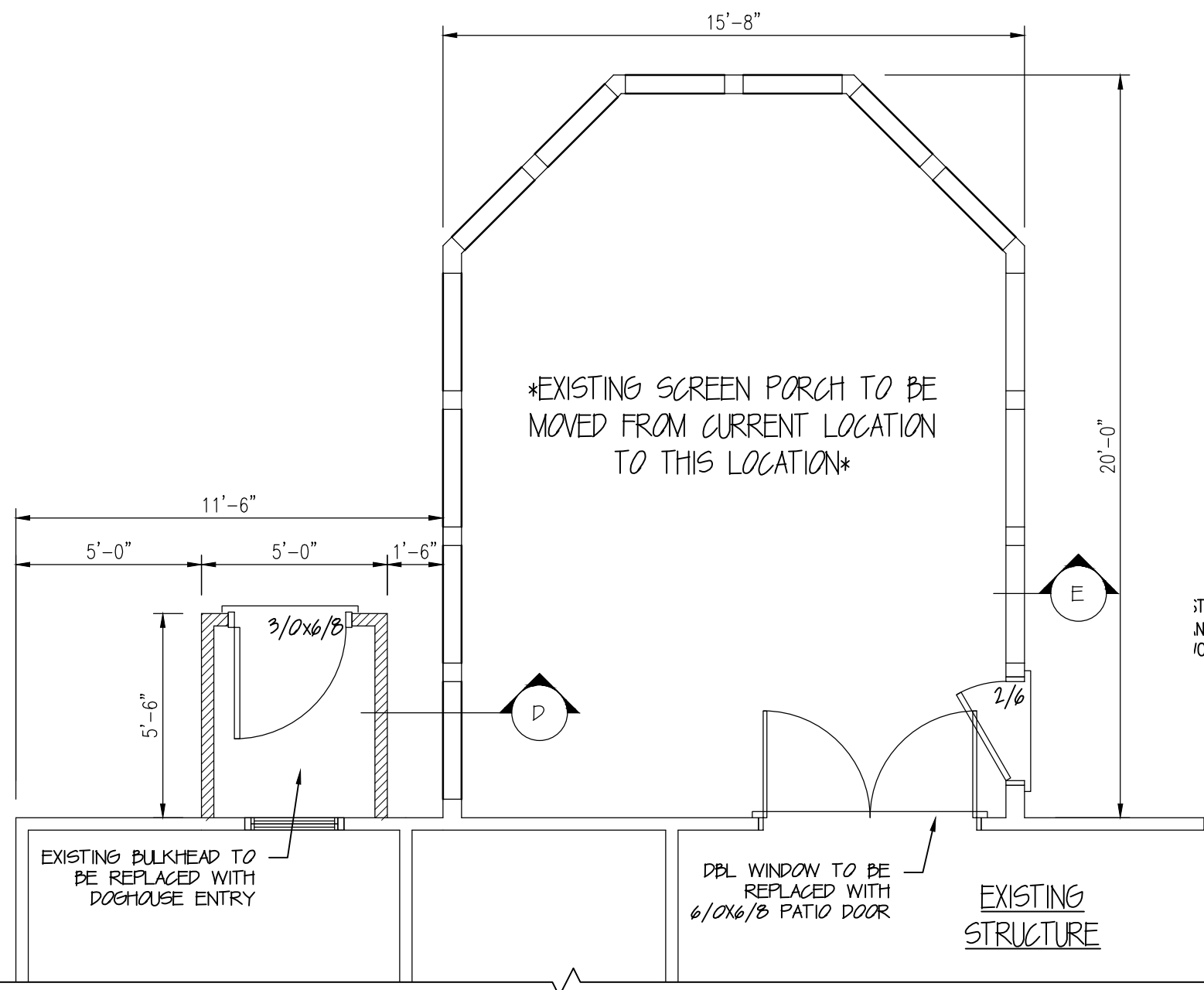
SCREEN-ROOM CROSS-SECTION
Existing structure detail- to be relocated



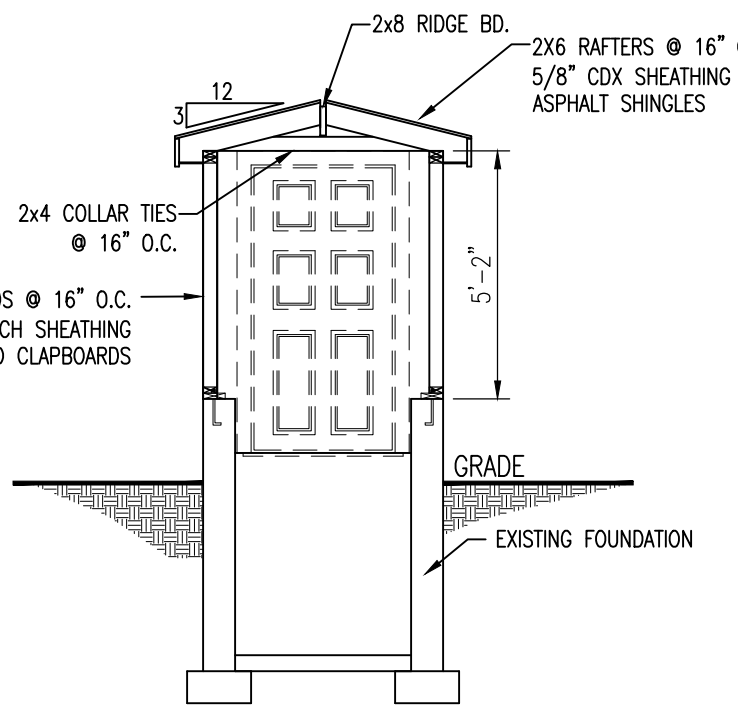
RIGHT ELEVATION
STAIRS TO GRADE WITH RAILINGS PER LOCAL CODE. MIN. 10" TREAD. MAX. 7 3/4" RISE MIN. 36" CLEAR OPENING



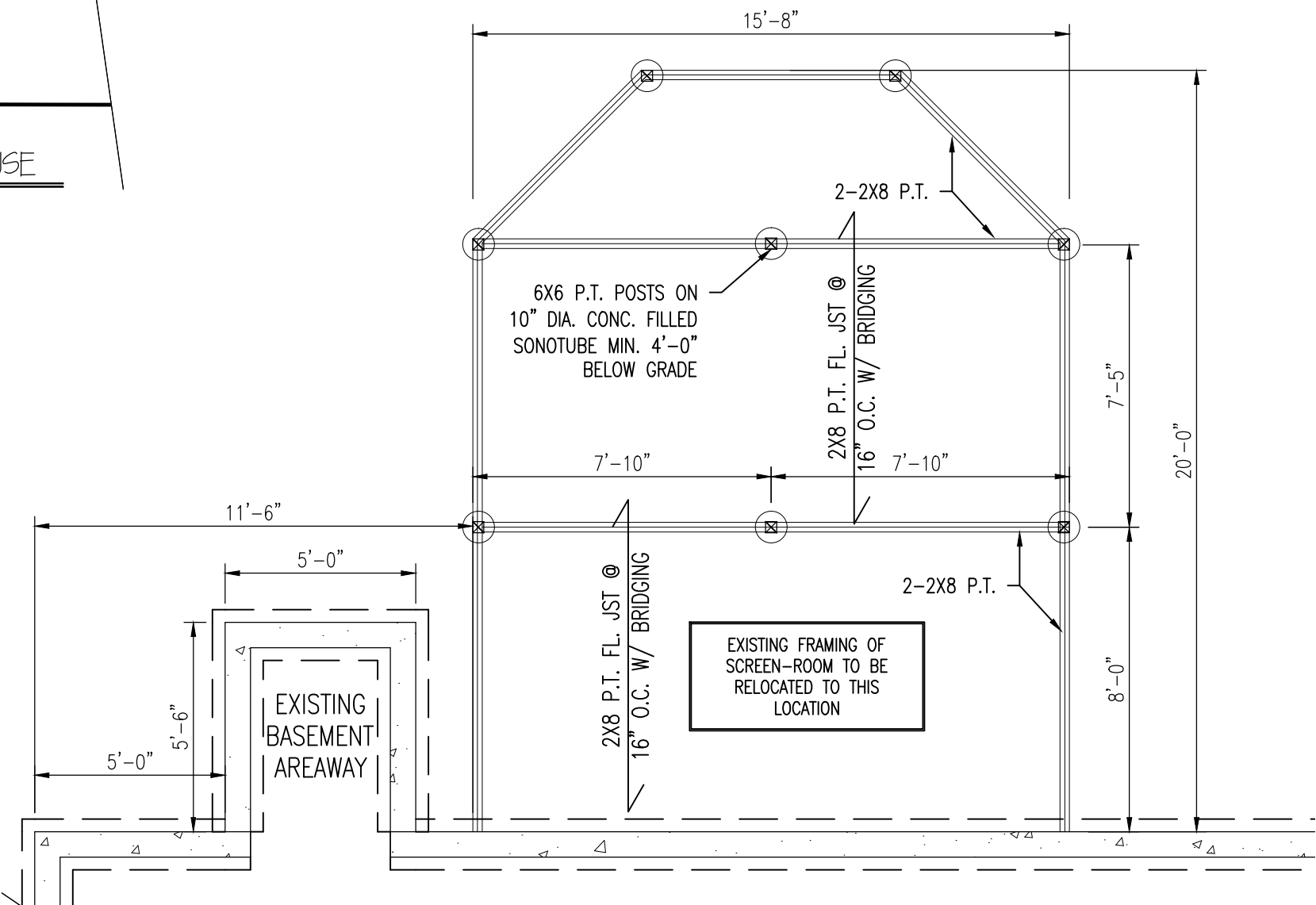
LEFT ELEVATION-DOGHOUSE



1st FLOOR PLAN



DOGHOUSE CROSS-SECTION
Existing structure detail- to be relocated



FOUNDATION PLAN

SCREEN PORCH & DOGHOUSE PLAN
NAPOLITANO ADDITION
6 SAMUEL RD. PORTLAND, ME

CUSTOMERS SHOULD APPRECIATE THAT THIS INFORMATION IS NOT THE PRODUCT OF AN ARCHITECT. NEITHER NOTEWORTHY DESIGNS NOR ANY OF ITS EMPLOYEES ARE REGISTERED ARCHITECTS AND CUSTOMERS MAY WANT TO CONSULT WITH AN ARCHITECT BEFORE TAKING FINAL ACTION WITH REGARD TO ANY BUILDING OR STRUCTURE. CUSTOMERS SHOULD ALSO APPRECIATE THAT, BY PROVIDING CUSTOMERS WITH THIS INFORMATION, NOTEWORTHY DESIGNS DOES NOT GUARANTEE THE SOUNDNESS OR SUITABILITY OF THE INFORMATION FOR ANY PURPOSE OF THE CUSTOMER.

Revisions:	
5/13/14	MOVED SCREEN PORCH
Date:	4/22/14
Scale:	1/4"=1'-0"
Drawn By:	TMS
Project:	A041414
Sheet Number:	1-of-1