

DESIGNER



OWNER

NORTHFIELD GREEN HOUSING PARTNERS LP.

307 CUMBERLAND AVE
PORTLAND, MAINE 04101

PROJECT

NORTHFIELD GREEN

ALLEN AVENUE
PORTLAND, MAINE 04101

DRAWING

MECHANICAL DETAILS

CWS PROJECT NUMBER: 16.010

REVISIONS

PROGRESS PRINT
NOT FOR CONSTRUCTION

DRAWING NUMBER

M3.03

SCALE: NO SCALE
DATE: 11/21/2017

100% SUBMISSION

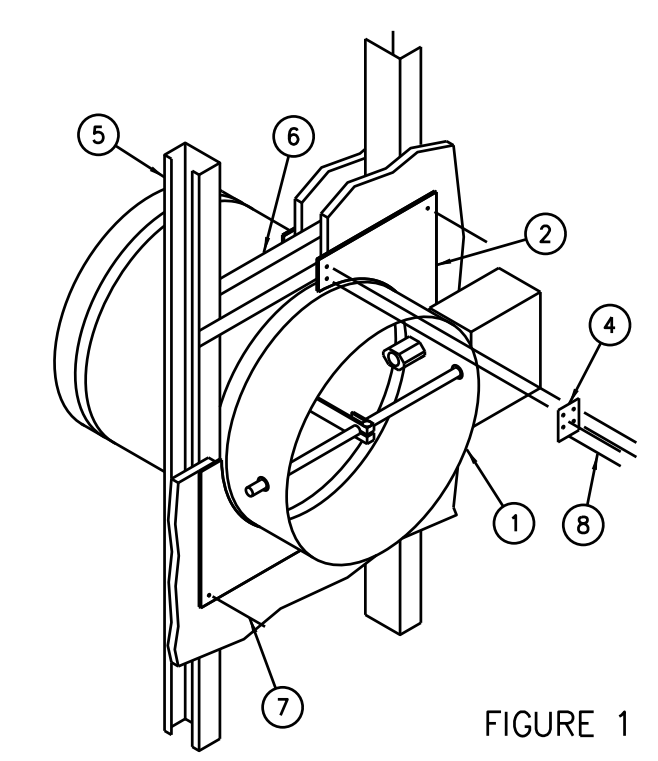


FIGURE 1

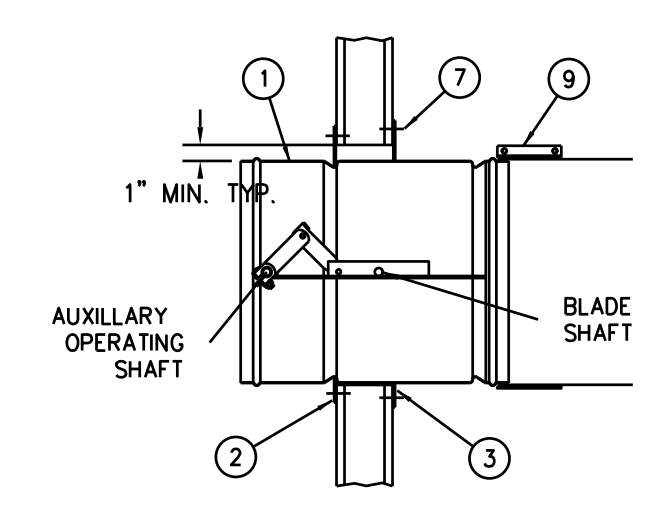
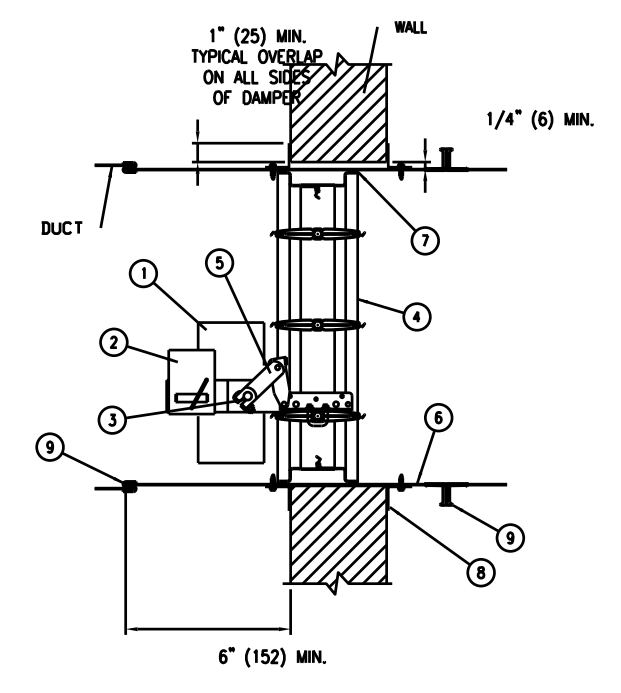


FIGURE 2

- ITEM. DESCRIPTION
1. FSDR25 COMBINATION FIRE AND LEAKAGE RATED DAMPER WITH OPERATOR/ACTUATOR (LOCATION MAY VARY), END SWITCH
 2. RETAINING PLATE, 20 GA STEEL
 3. DAMPER PLATE, 20 GA PLATE
 4. SPLICE PLATE, 20 GA STEEL, TYP BOTH PLATES
 5. STEEL STUD, 25 GA MIN, 2 1/2" WIDE MIN
 6. STEEL RUNNER, 25 GA MIN, 2 1/2" WIDE MIN
 7. #10 SHEET METAL SCREW
 8. 1/8" DIA STEEL POP RIVET, OR #10 X 1/2" SHEET METAL SCREW, OR 1/2" LONG WELDS
 9. 4" DRAW BAND



TYPICAL AIRFOIL INSTALLATION
VERTICAL INSTALLATION

- ITEM. DESCRIPTION
1. ACTUATOR (LOCATION MAY VARY) WITH END SWITCH
 2. END SWITCH ON DAMPER ACTUATOR
 3. AUXILIARY OPERATING JACK SHAFT
 4. DAMPER
 5. OVER CENTER LOCK
 6. SLEEVE
 7. CAULKING MATERIAL (MAY BE ON EITHER SIDE OF DAMPER FRAME)
 8. PFMA OR CONVENTIONAL MOUNTING ANGLES
 9. S-JOINT/DUCT MATE, SLEEVE TO DUCT

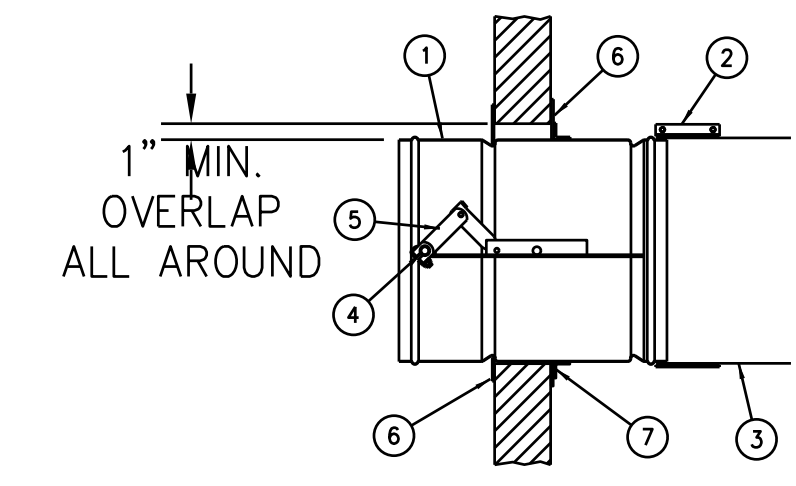
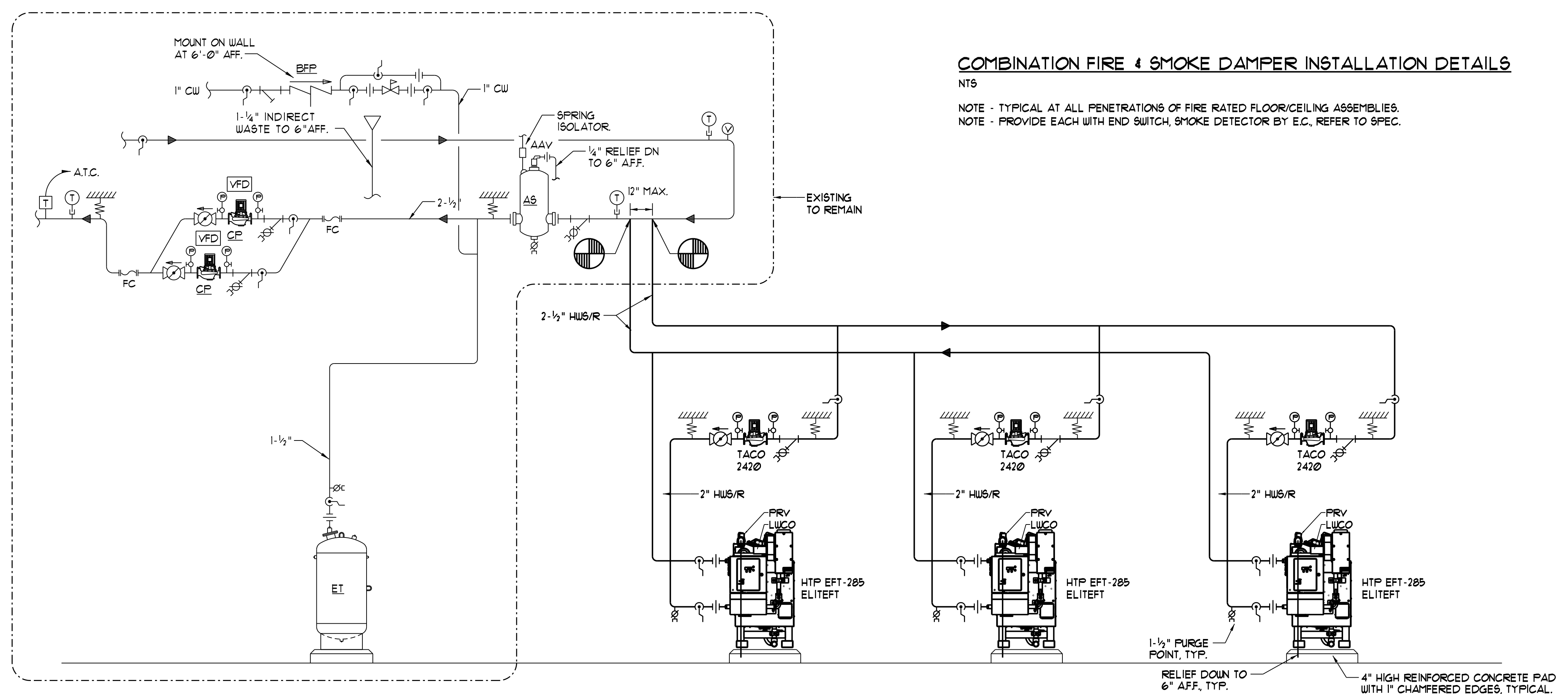


FIGURE 3

- ITEM. DESCRIPTION
1. FSDR25 COMBINATION FIRE AND LEAKAGE RATED DAMPER WITH OPERATOR/ACTUATOR (LOCATION MAY VARY), END SWITCH
 2. 4" DRAW BAND
 3. DUCT
 4. AUXILIARY OPERATING JACKSHAFT
 5. OVER CENTER LOCK
 6. DAMPER AND RETAINING PLATES (SEE NOTE 5)
 7. RETAINING CLIP 1" X 1" X 1" 16 GA ANGLE (SEE NOTE 5)

COMBINATION FIRE & SMOKE DAMPER INSTALLATION DETAILS

NTS
NOTE - TYPICAL AT ALL PENETRATIONS OF FIRE RATED FLOOR/CEILING ASSEMBLIES.
NOTE - PROVIDE EACH WITH END SWITCH, SMOKE DETECTOR BY E.C. REFER TO SPEC.



BOILER PIPING SCHEMATIC
NTS

