

CWS ARCHITECTS
ARCHITECTURE | INTERIOR DESIGN
434 CUMBERLAND AVENUE
PORTLAND, MAINE 04101
T: 207.774.4441
F: 207.774.4016
WWW.CWSARCH.COM

DESIGNER

OWNER
NORTHFIELD GREEN
HOUSING PARTNERS LP.

ONE CITY CENTER, 4TH FLOOR
PORTLAND, MAINE 04101

PROJECT
NORTHFIELD GREEN

147 - 1ST ALLEN AVENUE
PORTLAND, MAINE 04101

DRAWING
WINDOW DETAILS

CWS PROJECT NUMBER: 16.010

REVISIONS

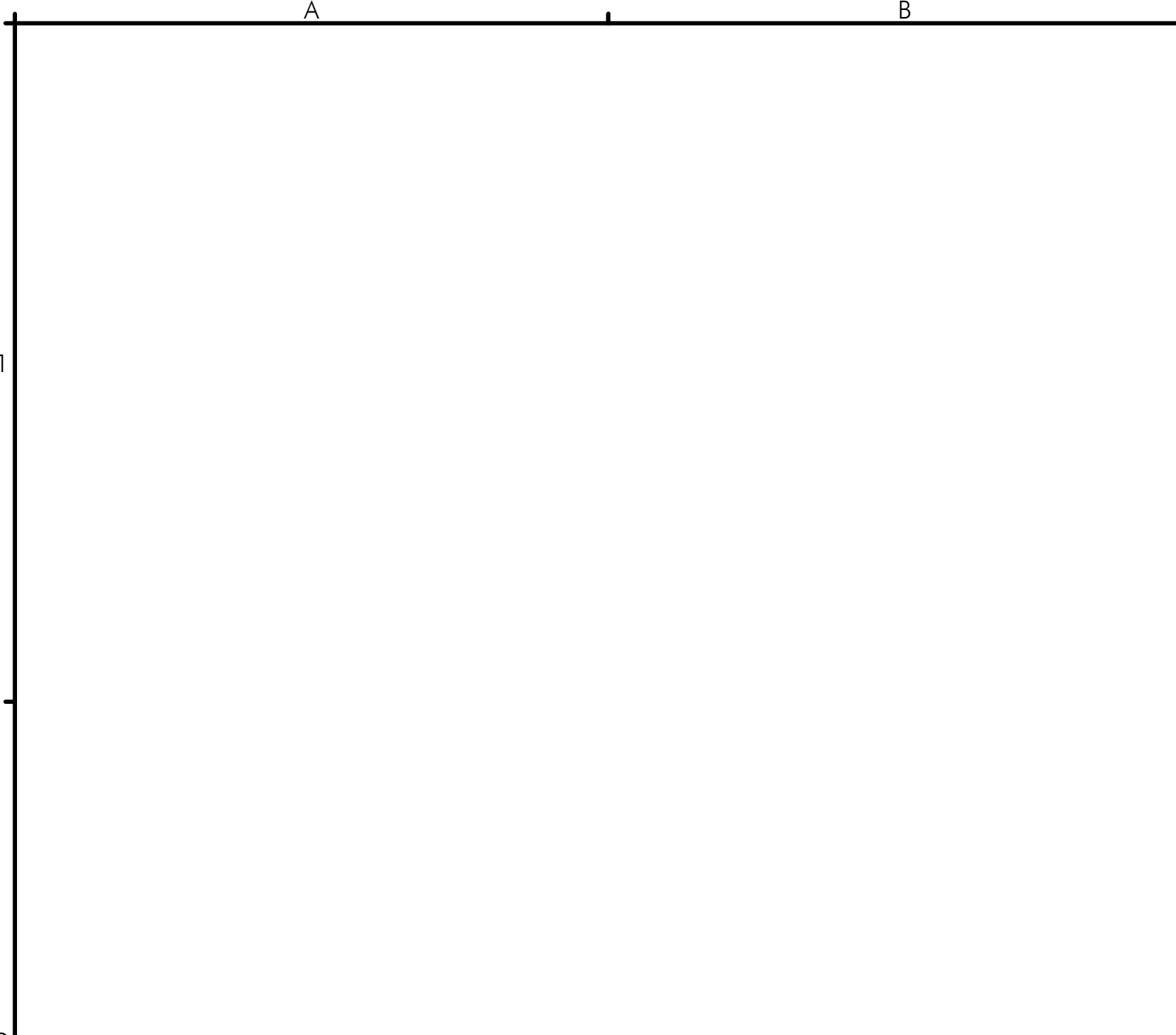
DRAWING NUMBER

A8.22

SCALE: AS NOTED

DATE: 11/22/2017

ISSUED NOVEMBER 22, 2017



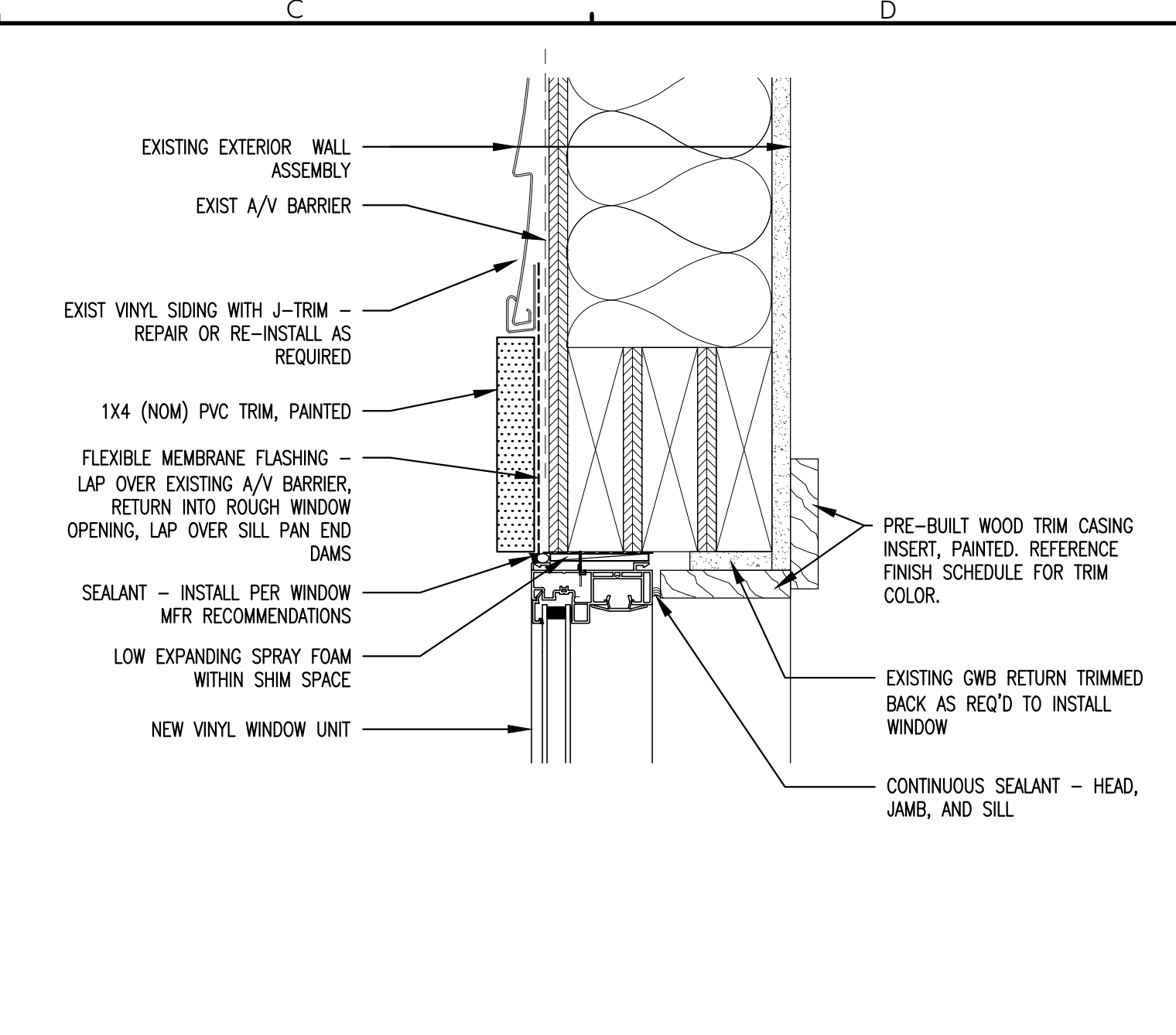
A2 - REFERENCED FROM: SCALE:



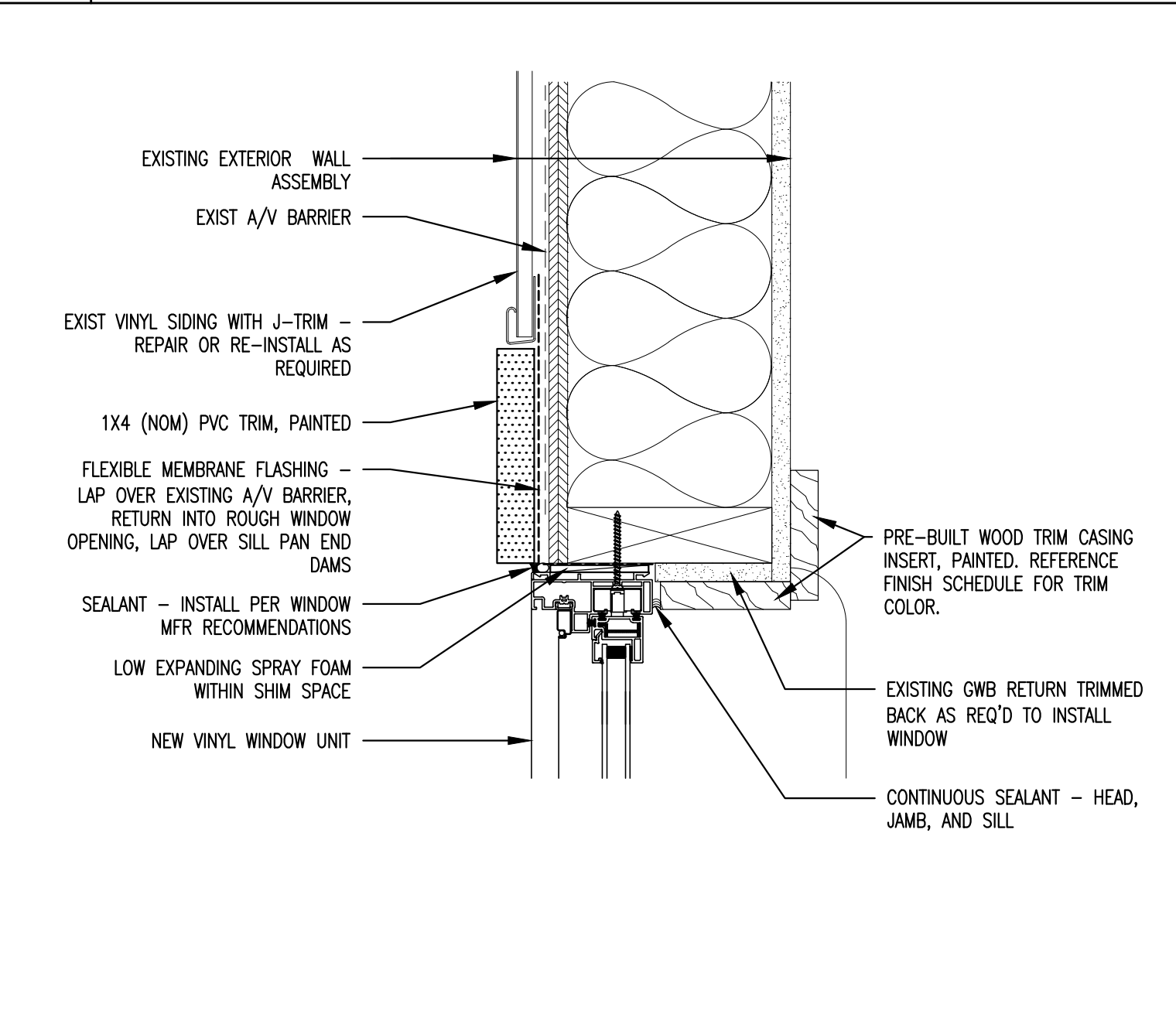
A4 - REFERENCED FROM: SCALE:



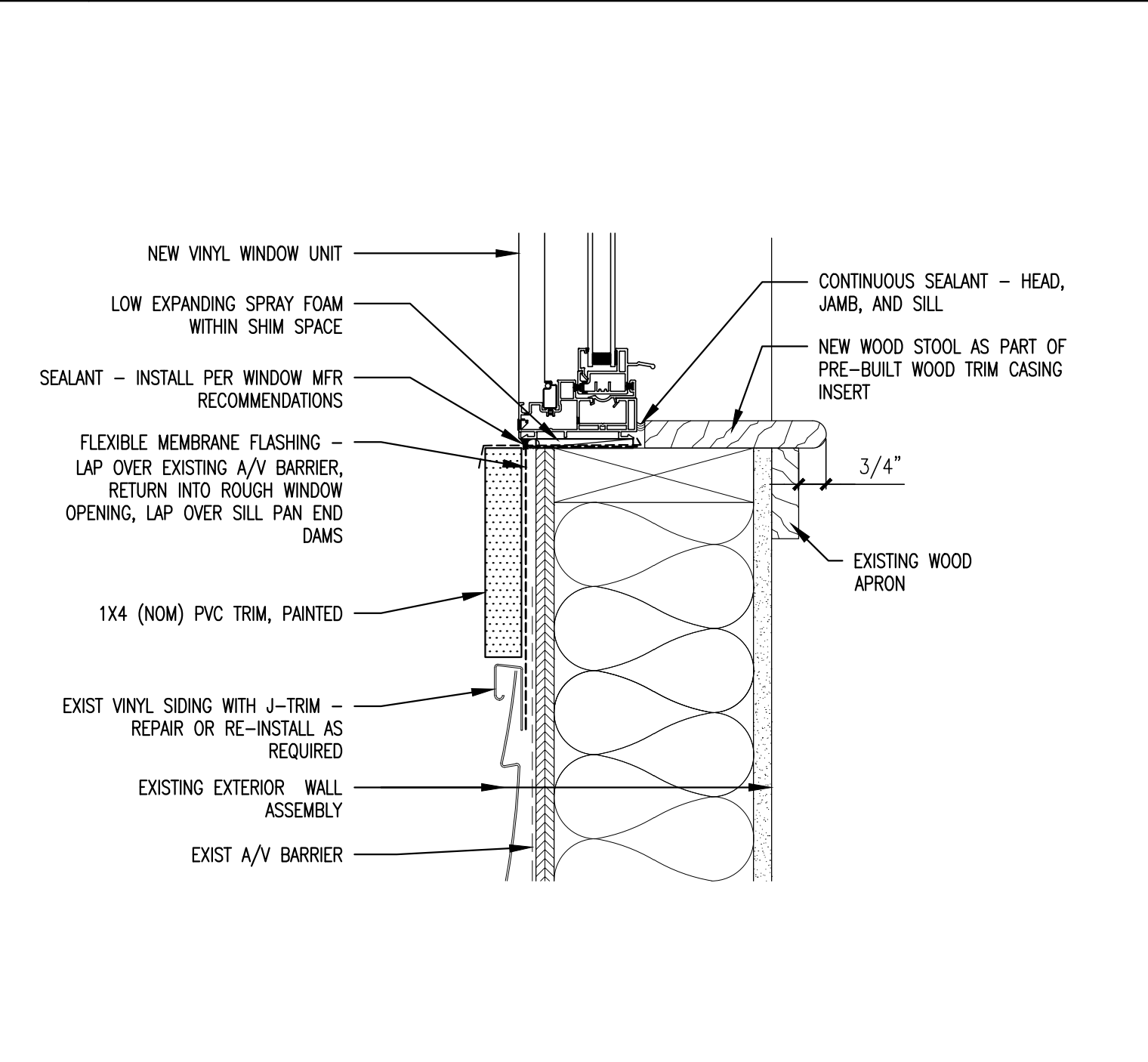
A5 NOT USED REFERENCED FROM: SCALE:



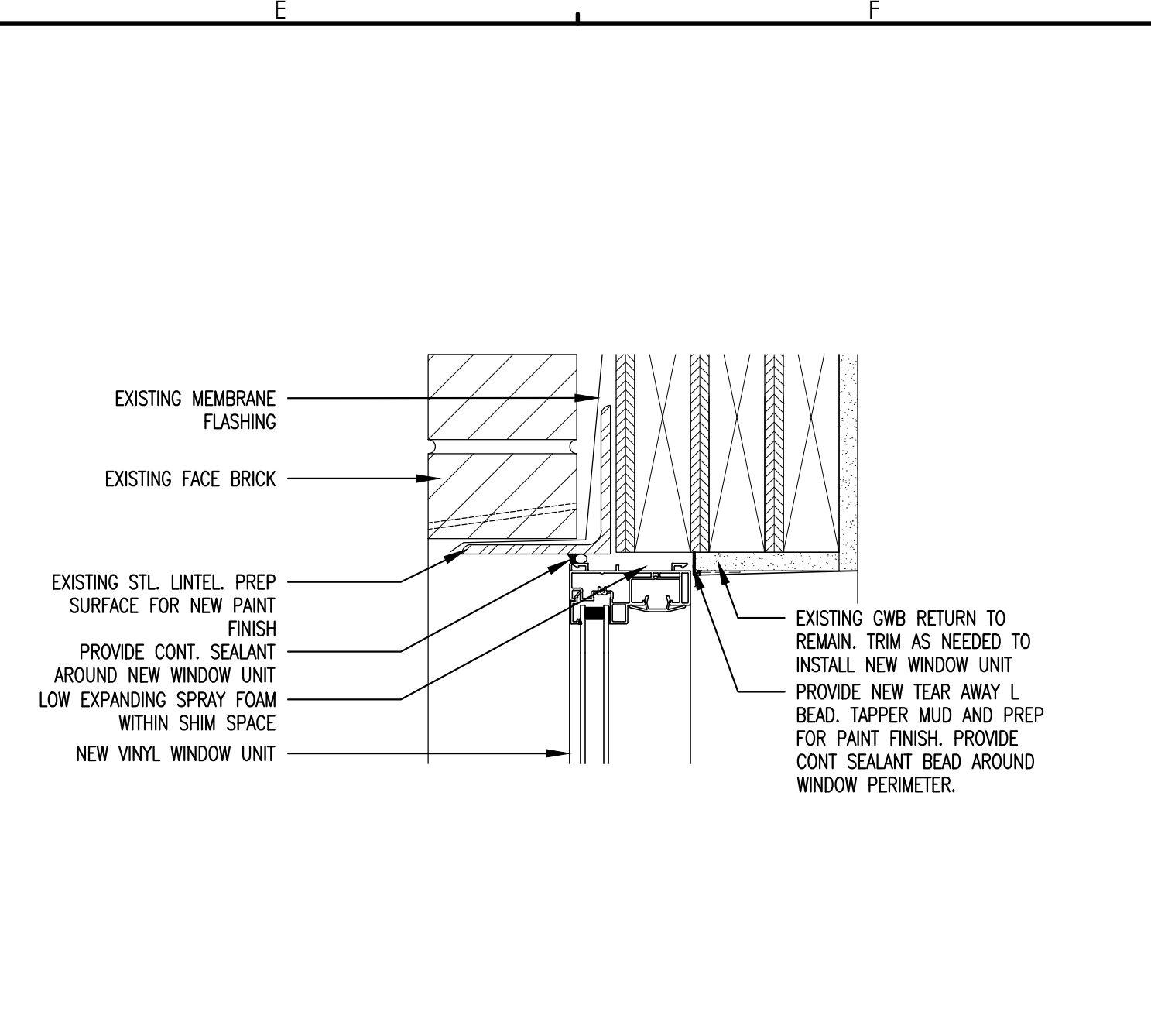
C2 WINDOW HEAD DETAIL - ALTERNATE No. 7 REFERENCED FROM: A8.21 SCALE: 3" = 1'-0"



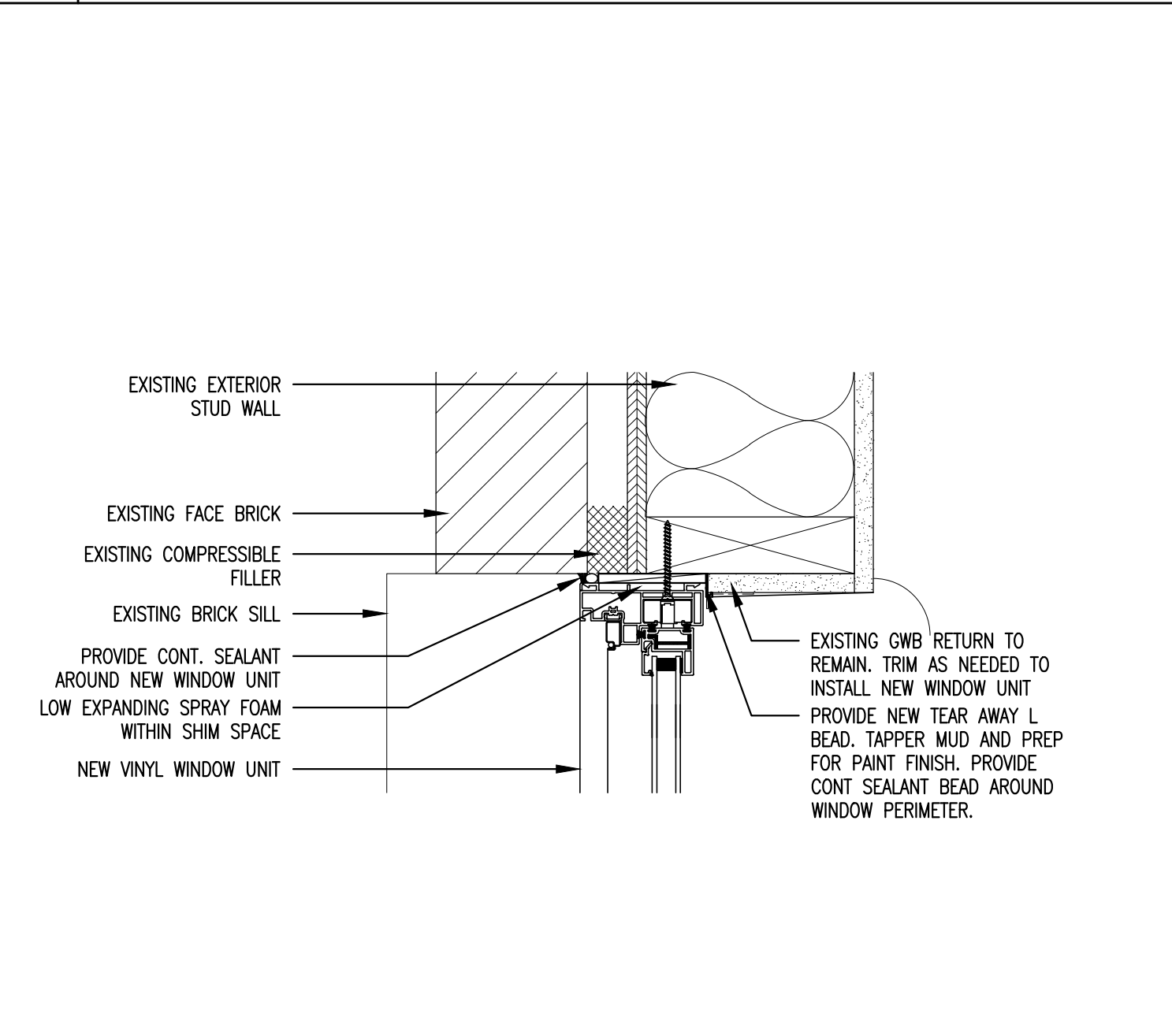
C4 WINDOW JAMB DETAIL - ALTERNATE NO. 7 REFERENCED FROM: A8.21 SCALE: 3" = 1'-0"



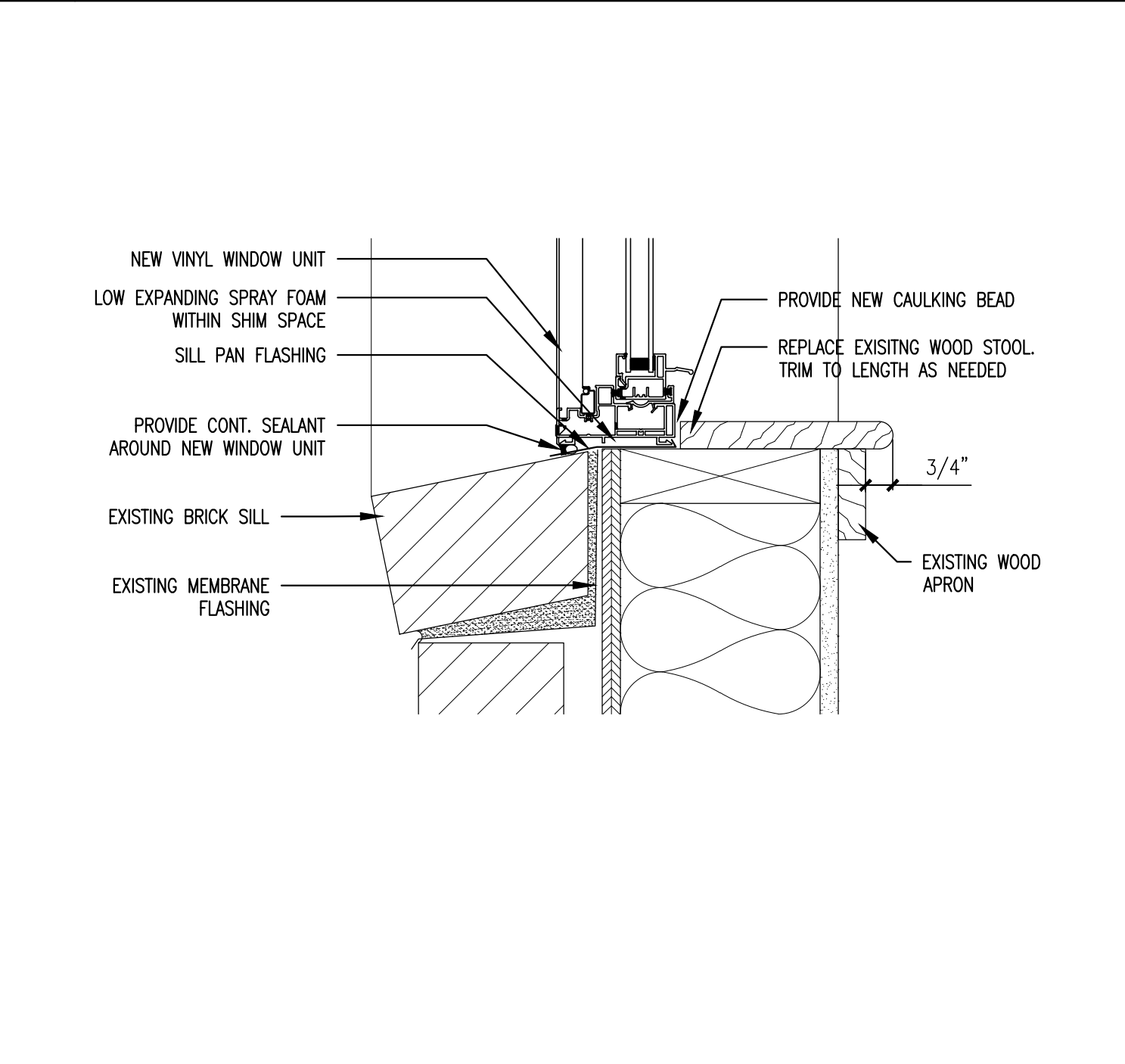
C5 WINDOW SILL DETAIL - ALTERNATE NO. 7 REFERENCED FROM: A8.21 SCALE: 3" = 1'-0"



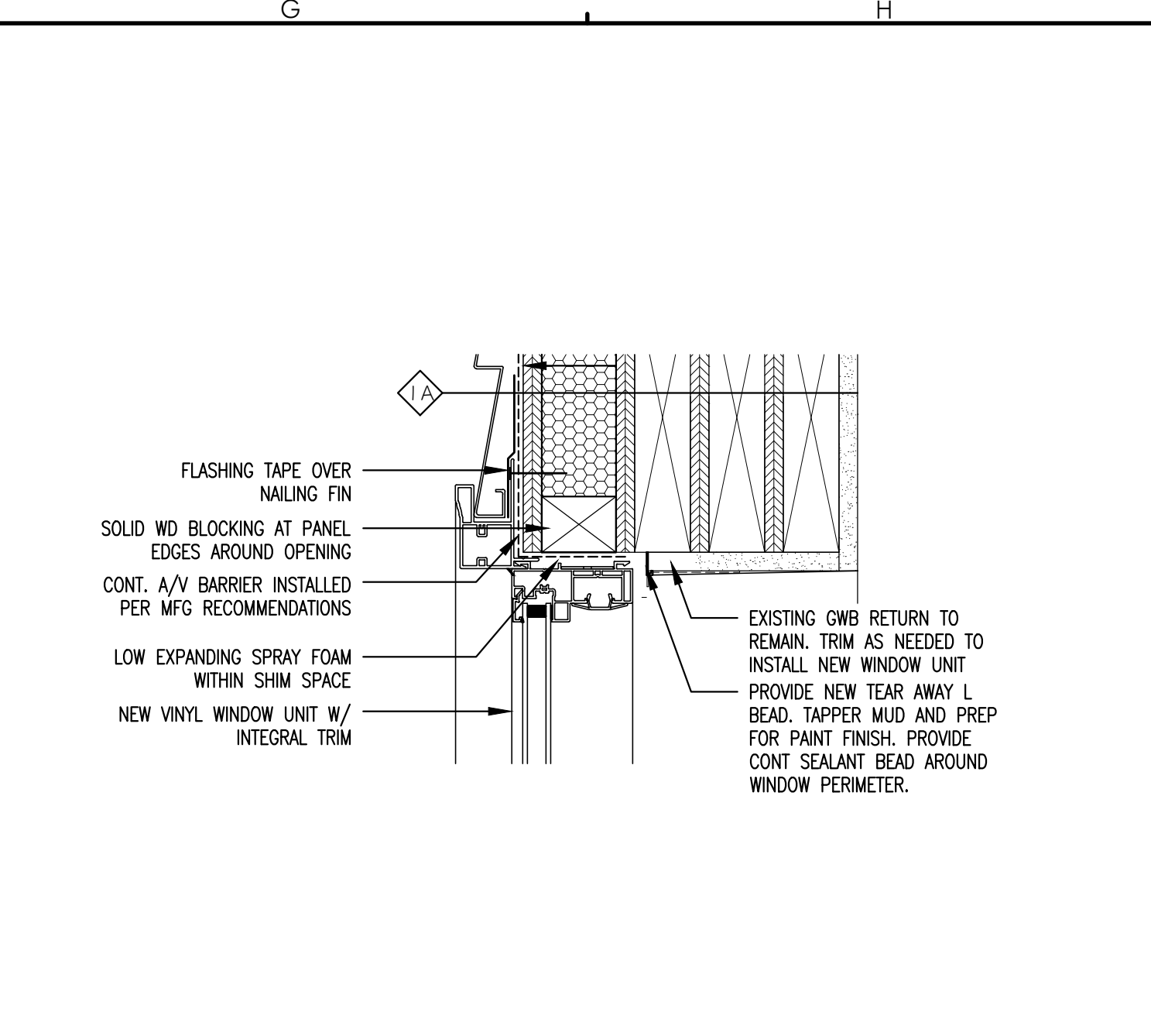
E2 VINYL REPLACEMENT WINDOW HEAD DETAIL AT MASONRY REFERENCED FROM: A8.21 SCALE: 3" = 1'-0"



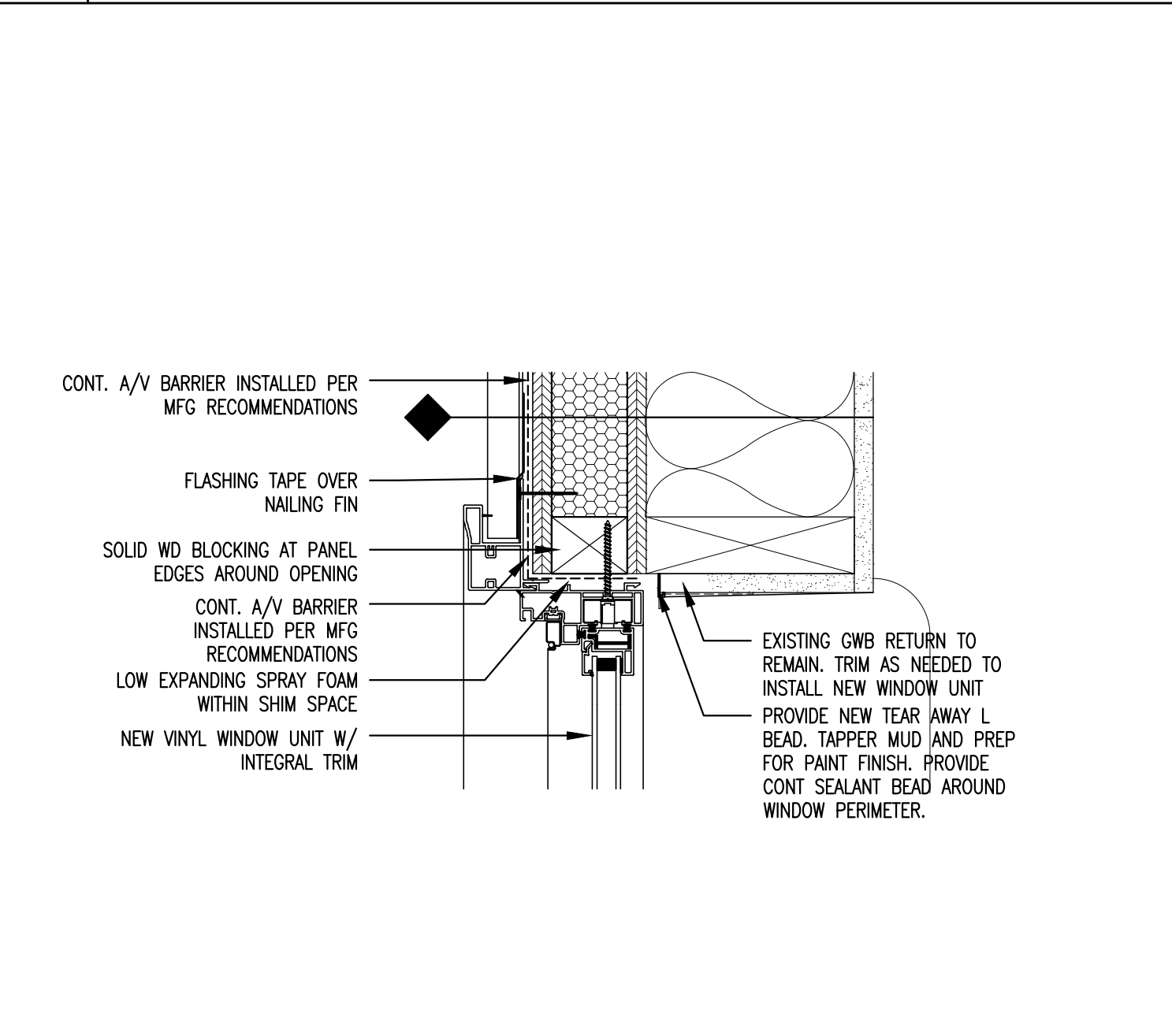
E4 VINYL REPLACEMENT WINDOW JAMB DETAIL AT MASONRY REFERENCED FROM: A8.21 SCALE: 3" = 1'-0"



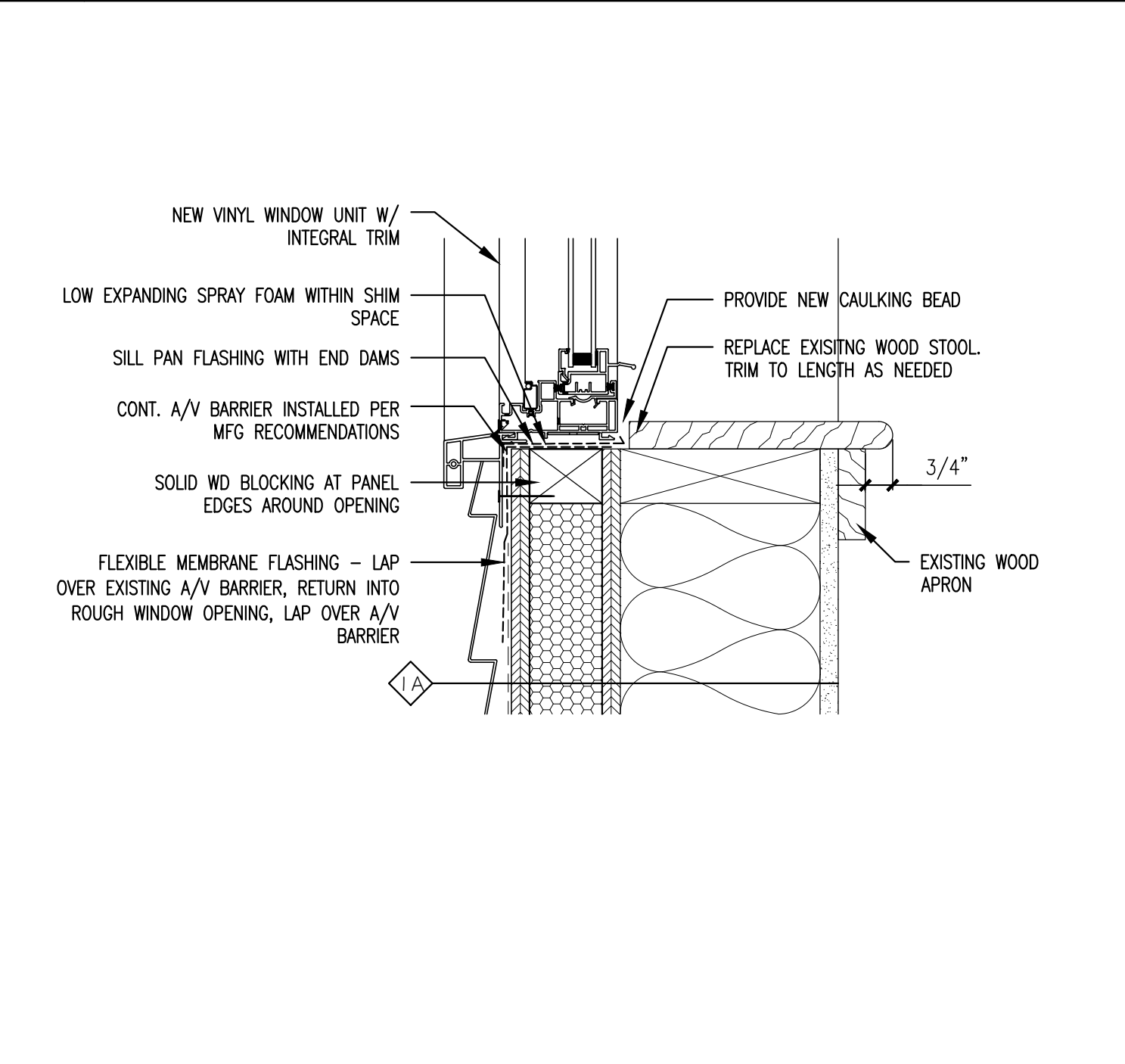
E5 VINYL REPLACEMENT WINDOW SILL DETAIL AT MASONRY REFERENCED FROM: A8.21 SCALE: 3" = 1'-0"



F2 VINYL REPLACEMENT WINDOW HEAD DETAIL REFERENCED FROM: A8.21 SCALE: 3" = 1'-0"



F4 VINYL REPLACEMENT WINDOW JAMB DETAIL REFERENCED FROM: A8.21 SCALE: 3" = 1'-0"



F5 VINYL REPLACEMENT WINDOW SILL DETAIL REFERENCED FROM: A8.21 SCALE: 3" = 1'-0"