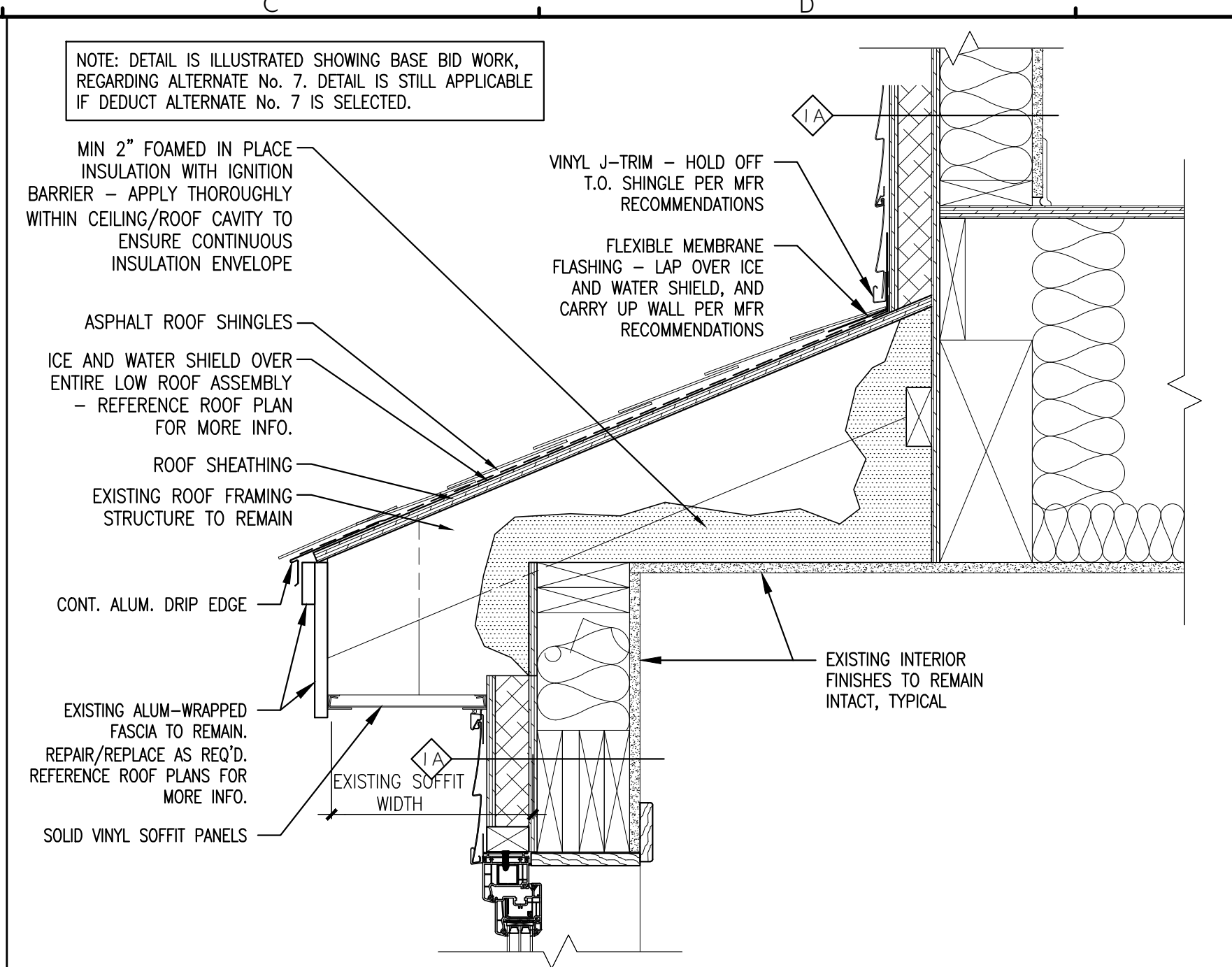


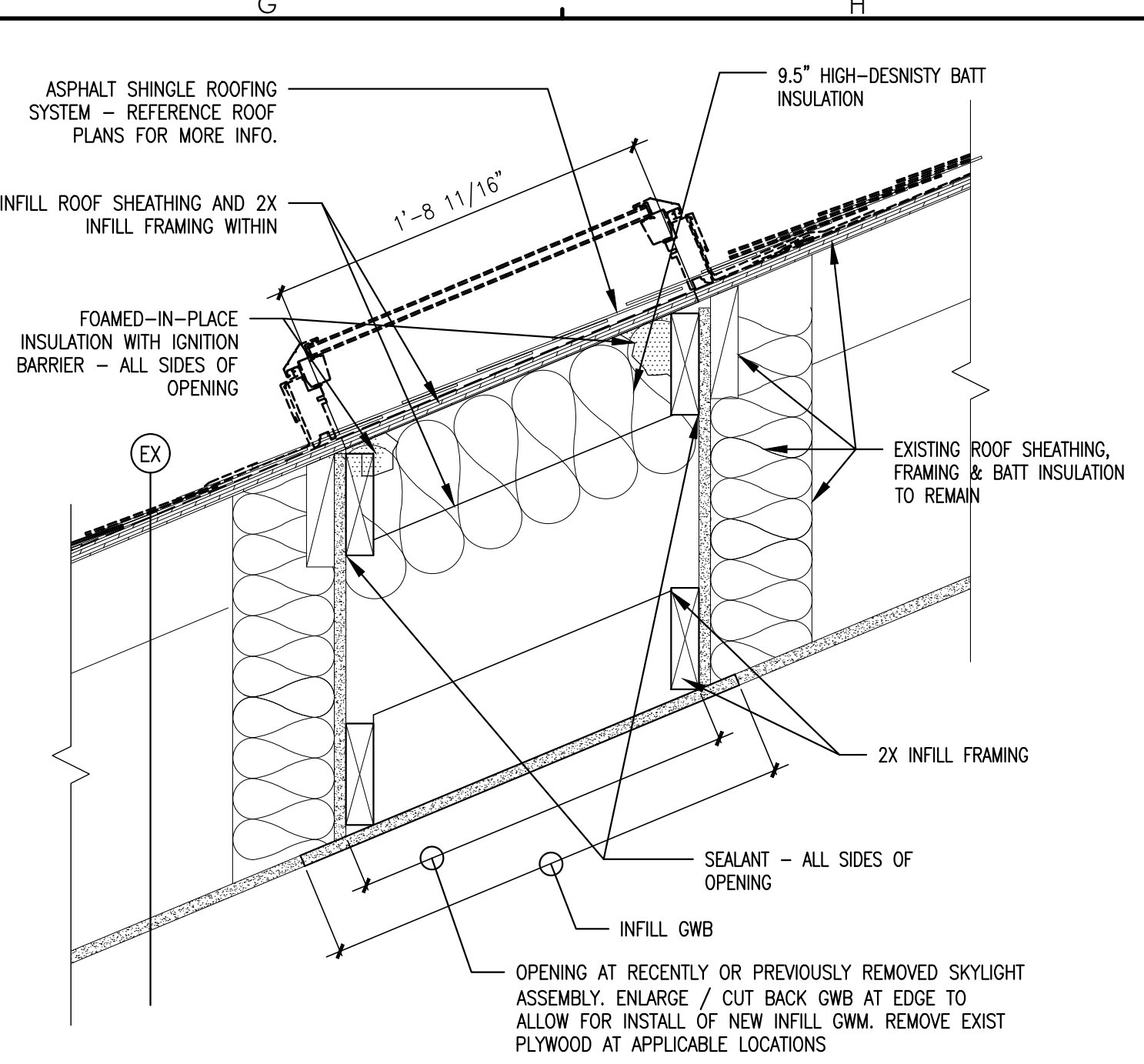
A2 TYPICAL DETAIL AT EAVE
 REFERENCED FROM: ROOF PLANS, WALL SECTIONS SCALE: 1 1/2" = 1'-0"



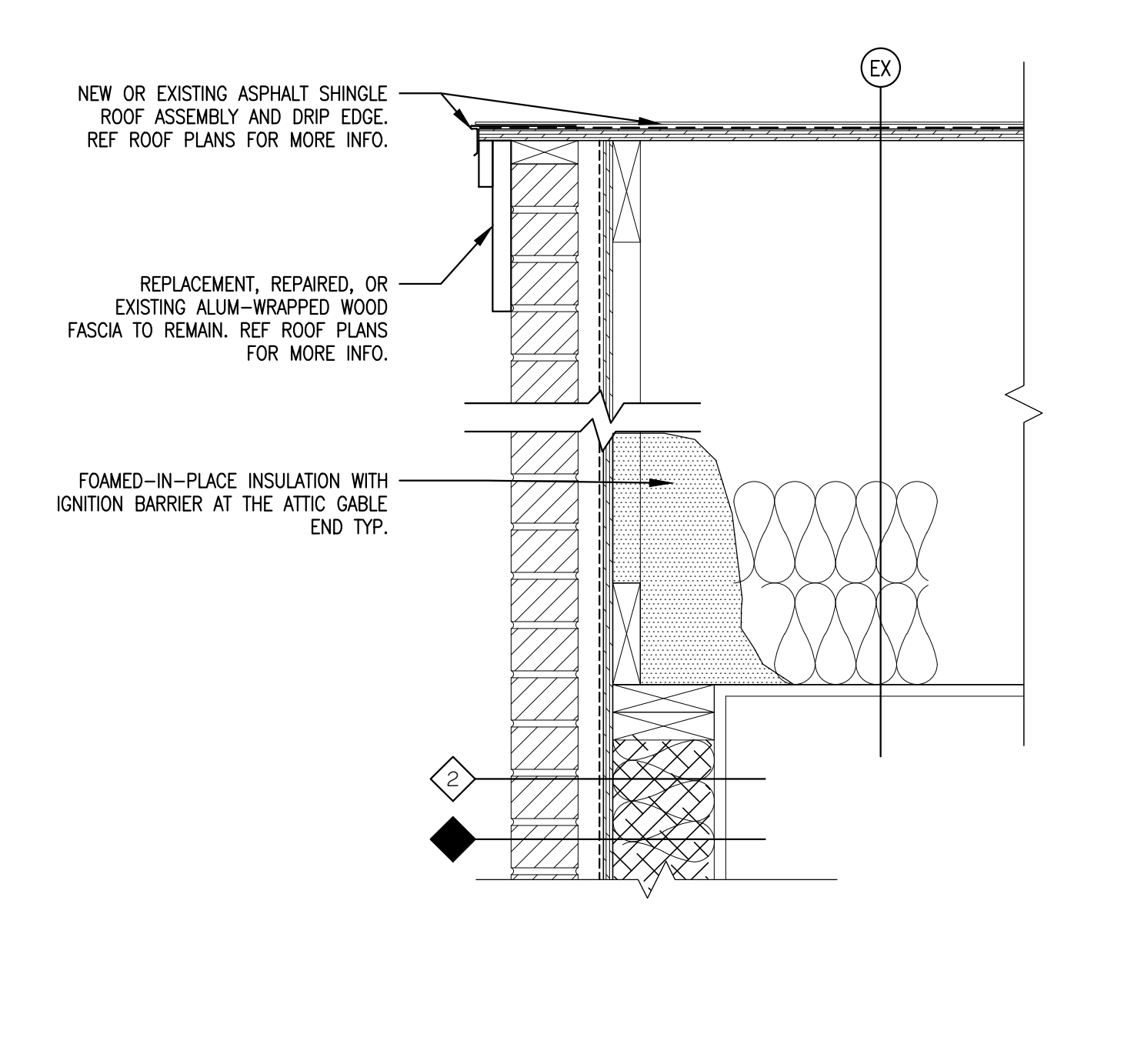
C2 DETAIL AT LOWER ROOF EAVE - TYPICAL
 REFERENCED FROM: ROOF PLANS, WALL SECTIONS SCALE: 1 1/2" = 1'-0"



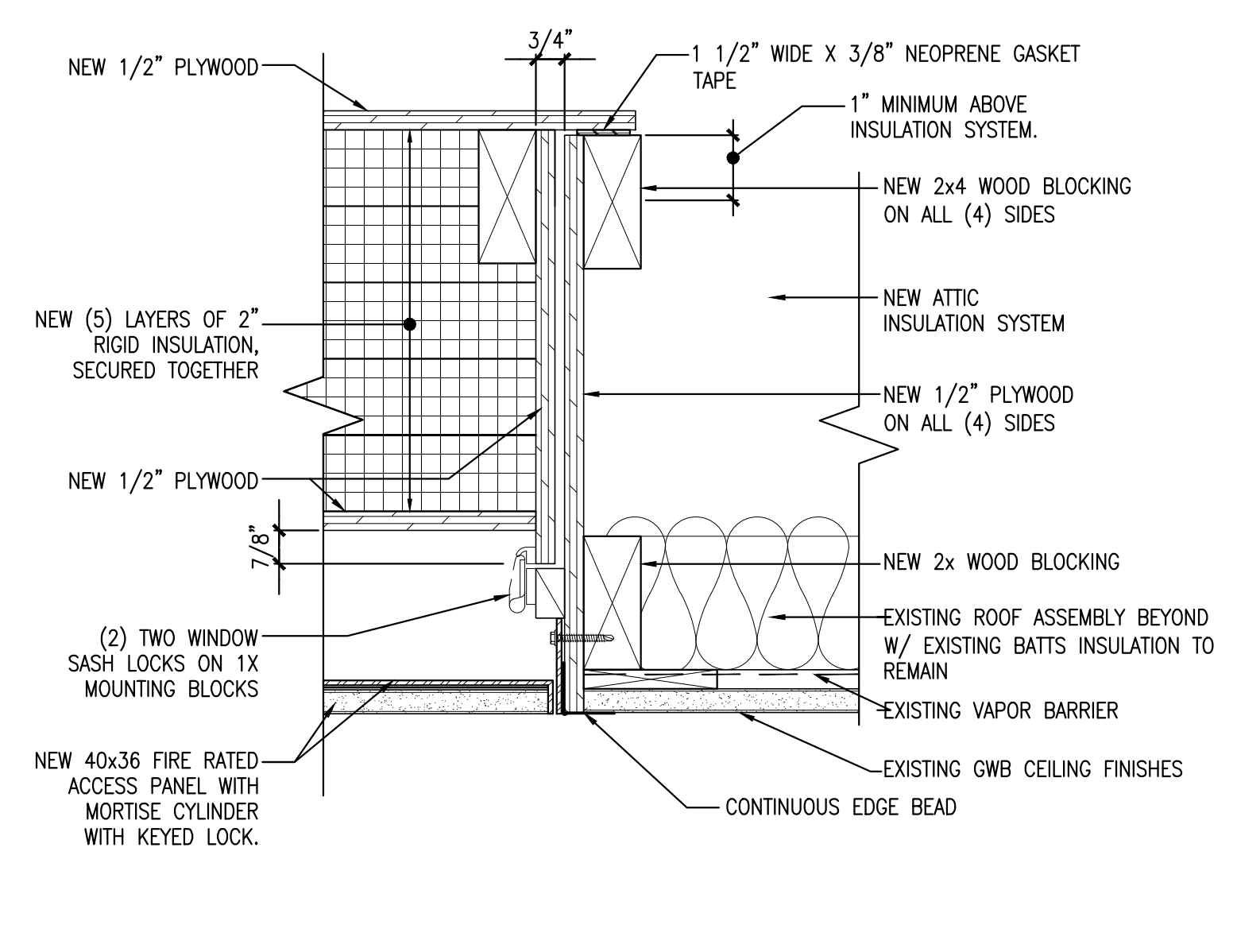
E2 NOT USED
 REFERENCED FROM: SCALE:



F2 SKYLIGHT INFILL SECTION DETAIL
 REFERENCED FROM: ROOF PLANS SCALE: 1 1/2" = 1'-0"



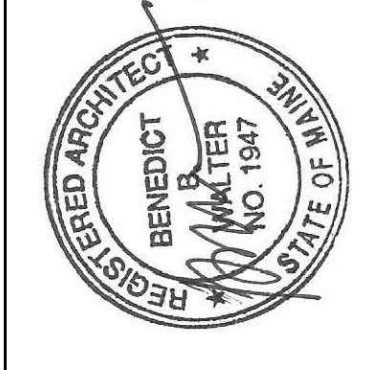
F4 DETAIL AT MASONRY GABLE END RAKE
 REFERENCED FROM: ROOF PLANS, WALL SECTIONS SCALE: 1 1/2" = 1'-0"



E5 NEW PLUMBING ACCESS HATCH DETAIL
 REFERENCED FROM: ATTIC PLANS SCALE: 3" = 1'-0"



F5 NOT USED
 REFERENCED FROM: SCALE:



CWS ARCHITECTS
 ARCHITECTURE | INTERIOR DESIGN
 434 CUMBERLAND AVENUE
 PORTLAND, MAINE 04101
 T: 207.774.4441
 F: 207.774.4016
 WWW.CWSARCH.COM

DESIGNER

OWNER
 NORTHFIELD GREEN
 HOUSING PARTNERS LP.

ONE CITY CENTER, 4TH FLOOR
 PORTLAND, MAINE 04101

PROJECT
 NORTHFIELD GREEN

147 - 151 ALLEN AVENUE
 PORTLAND, MAINE 04101

DRAWING
 DETAILS

CWS PROJECT NUMBER: 16.010

REVISIONS

DRAWING NUMBER
A7.02

SCALE: AS NOTED
 DATE: 11/22/2017