

CWS ARCHITECTS
ARCHITECTURE | INTERIOR DESIGN
434 CUMBERLAND AVENUE
PORTLAND, MAINE 04101
T: 207.774.4441
F: 207.774.4016
WWW.CWSARCH.COM

OWNER
NORTHFIELD GREEN HOUSING PARTNERS LP.
ONE CITY CENTER, 4TH FLOOR
PORTLAND, MAINE 04101

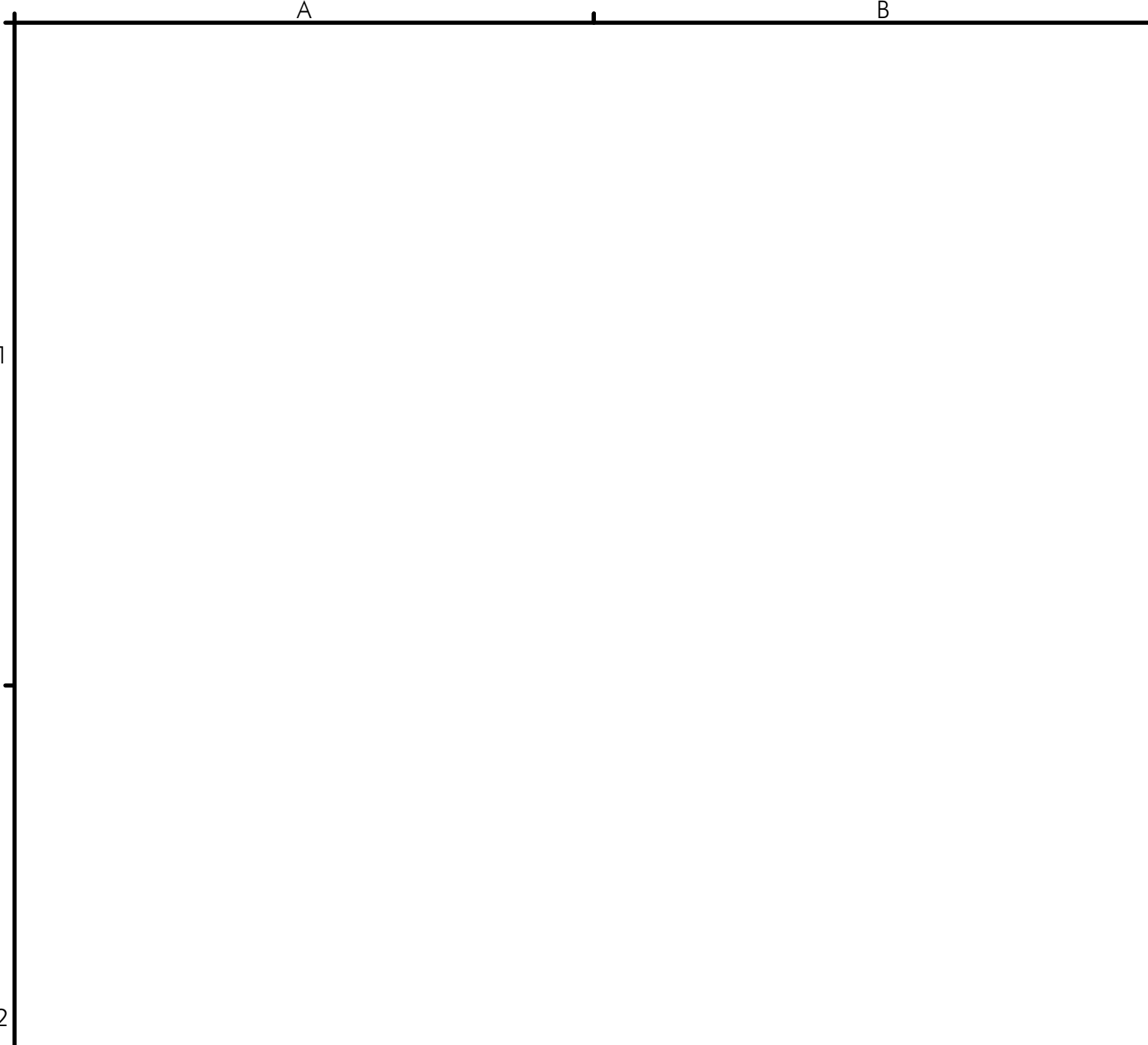
PROJECT
NORTHFIELD GREEN

DRAWING DETAILS
CWS PROJECT NUMBER: 16.010

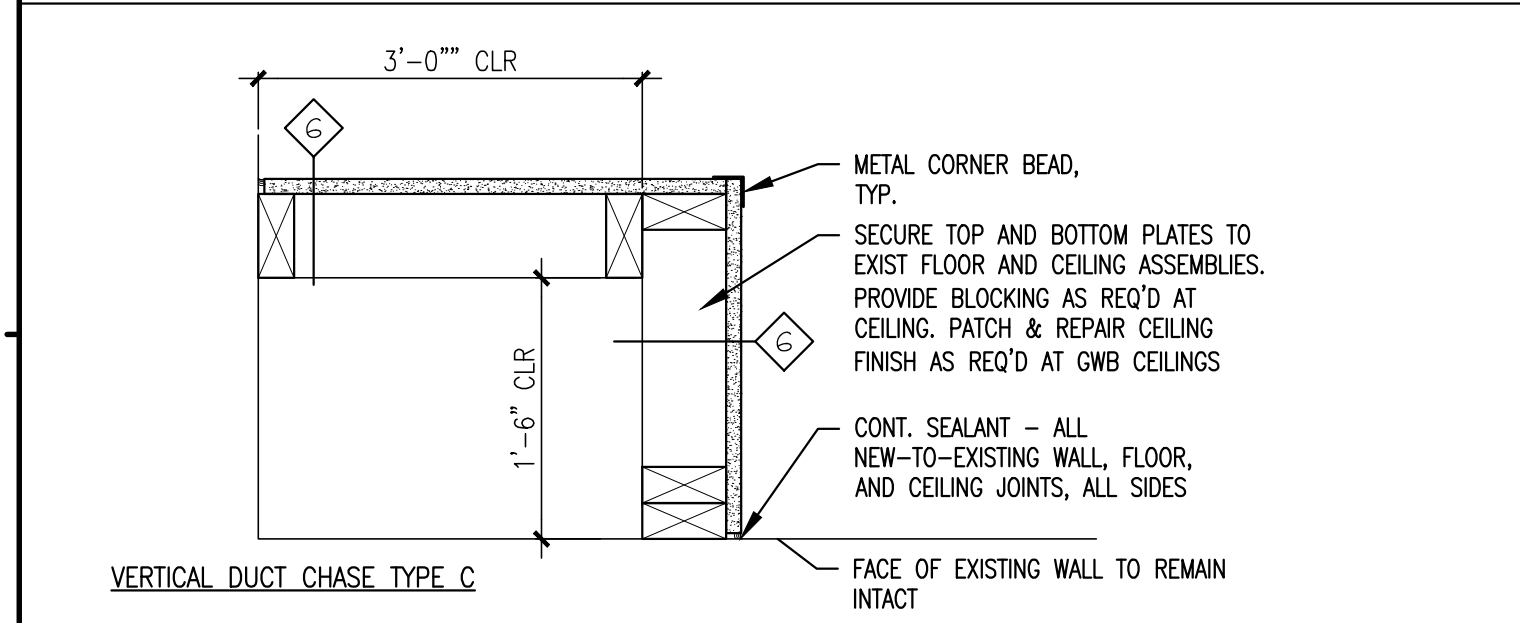
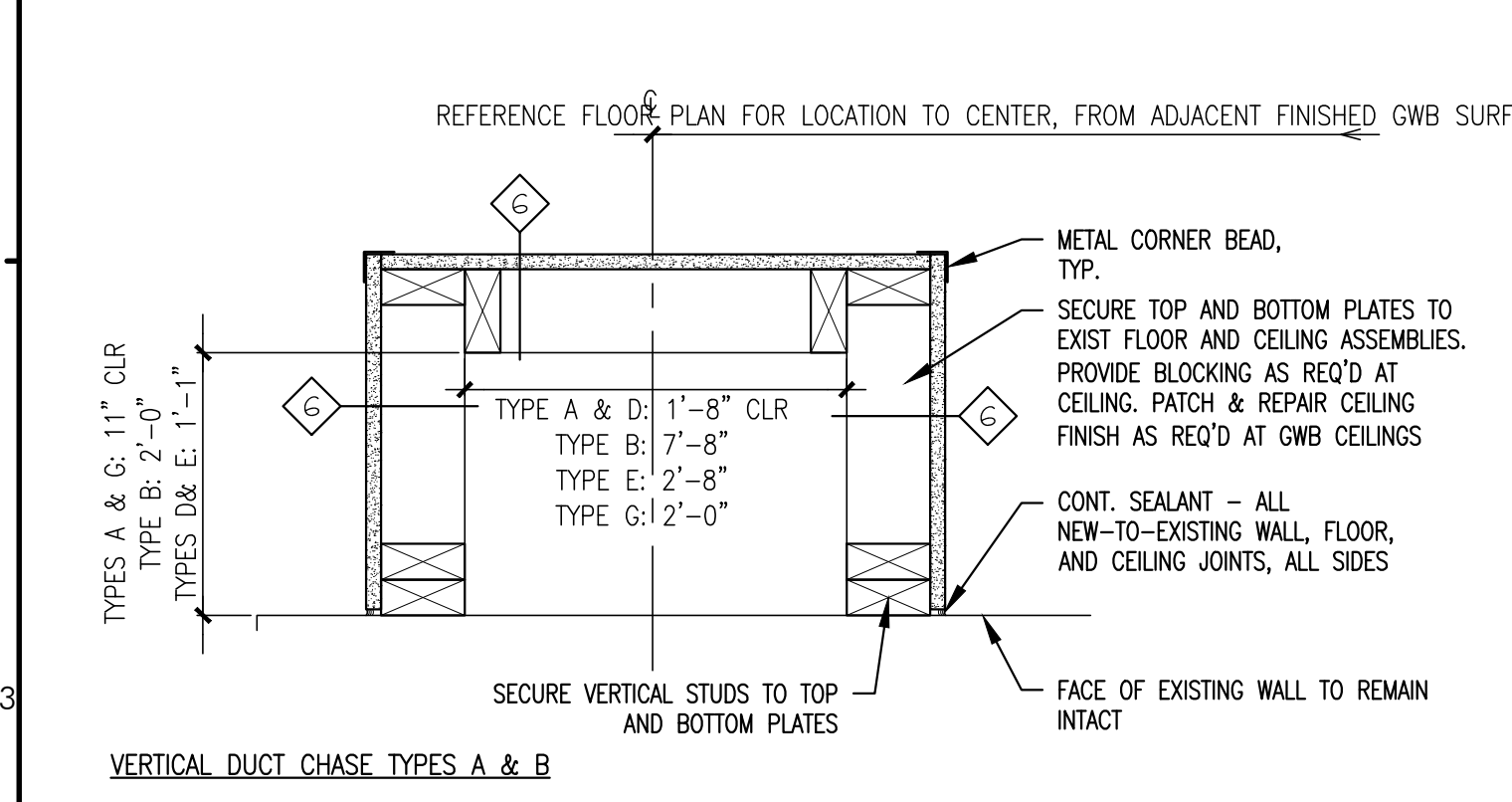
NO.	DATE	REVISIONS

DRAWING NUMBER
A7.01

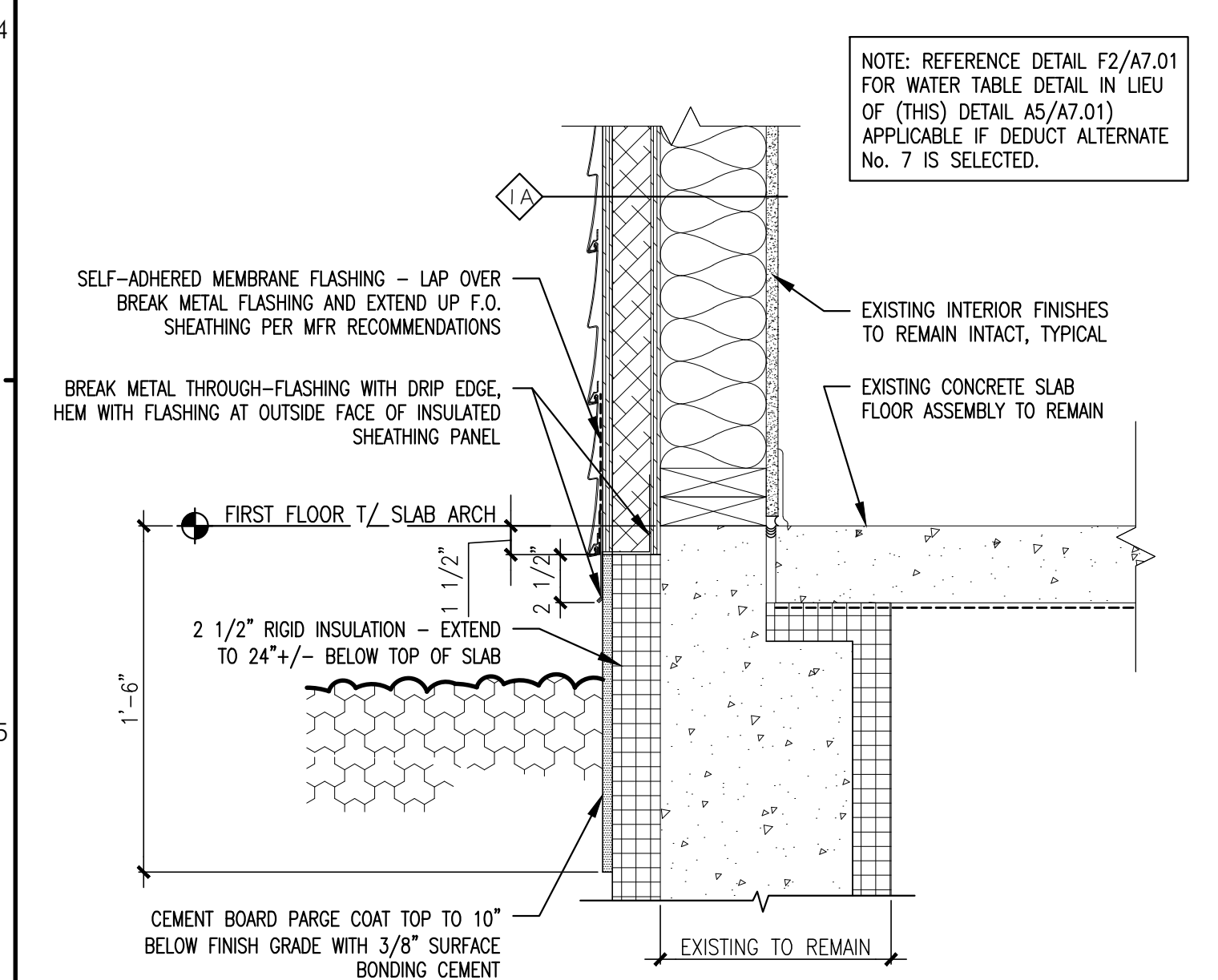
SCALE: AS NOTED
DATE: 11/22/2017



C2 SECTION DET'L AT UNDERSIDE OF 2ND FLOOR PROJECTION
REFERENCED FROM: WALL SECTIONS SCALE: 1 1/2" = 1'-0"

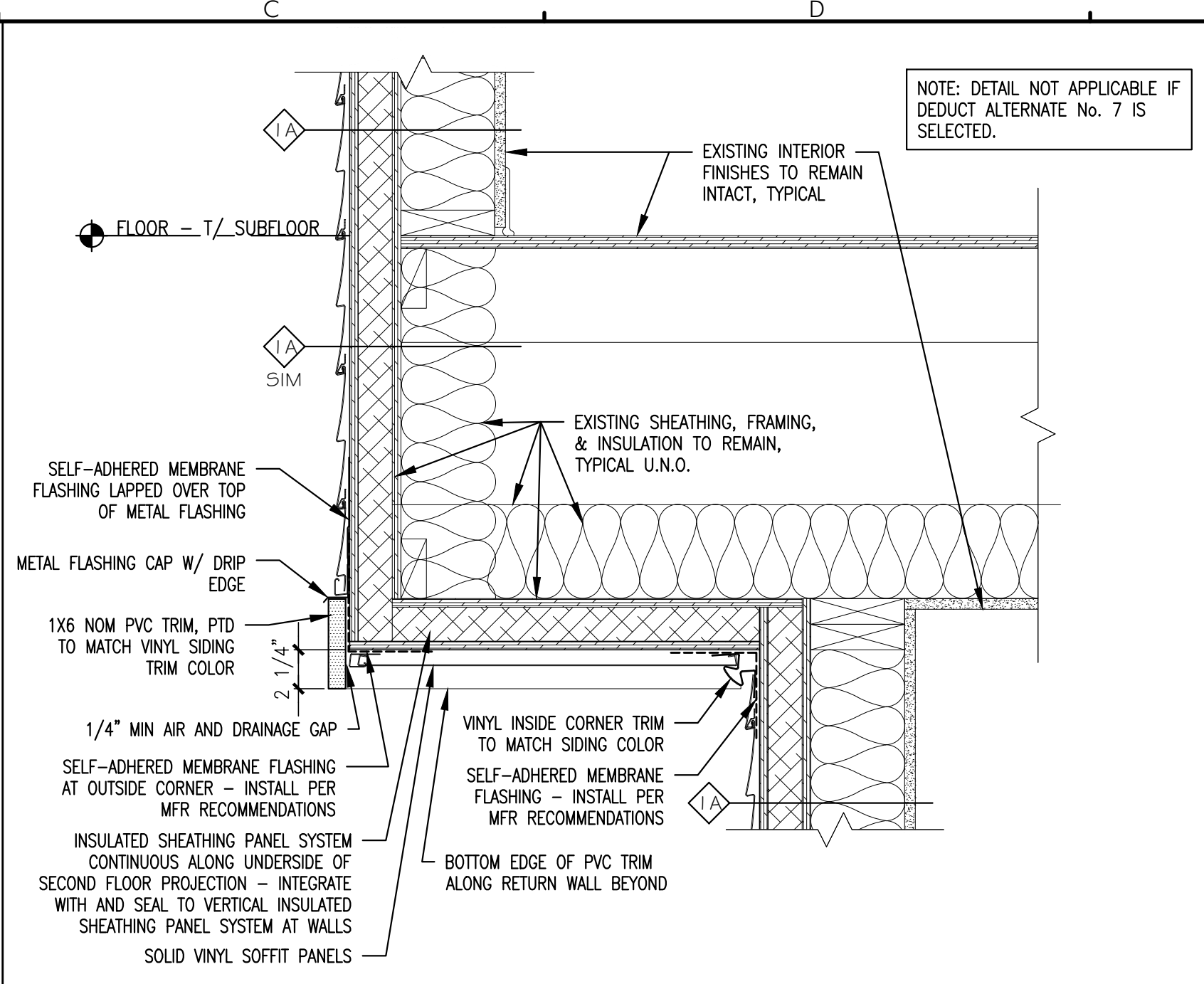


A4 VERTICAL DUCT CHASE PLAN DETAILS
REFERENCED FROM: SECOND FLOOR PLANS SCALE: 1 1/2" = 1'-0"

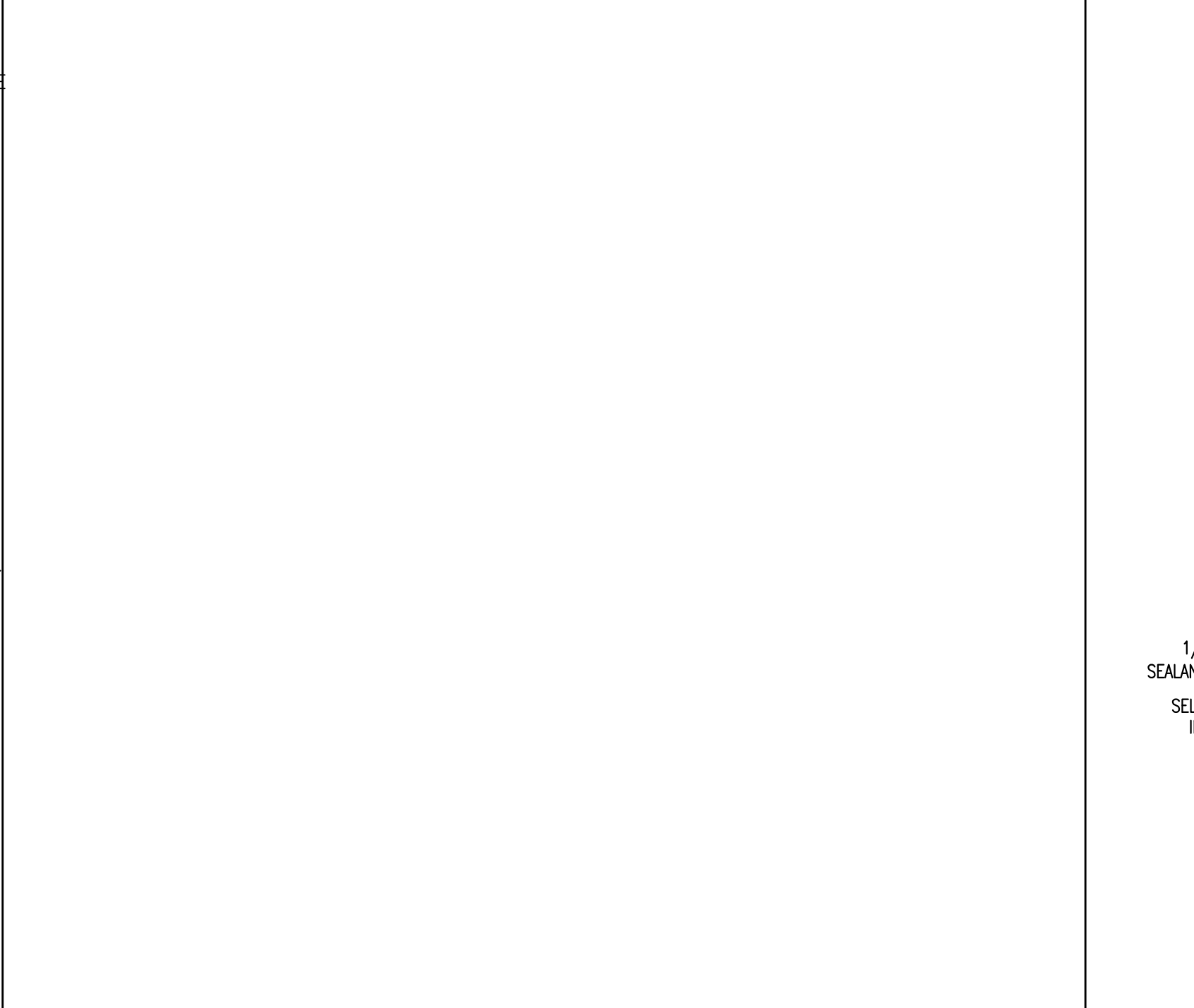


A5 WALL BASE DET'L EXT. INSUL. & VINYL SIDING @ S.O.G.
REFERENCED FROM: WALL SECTIONS SCALE: 1 1/2" = 1'-0"

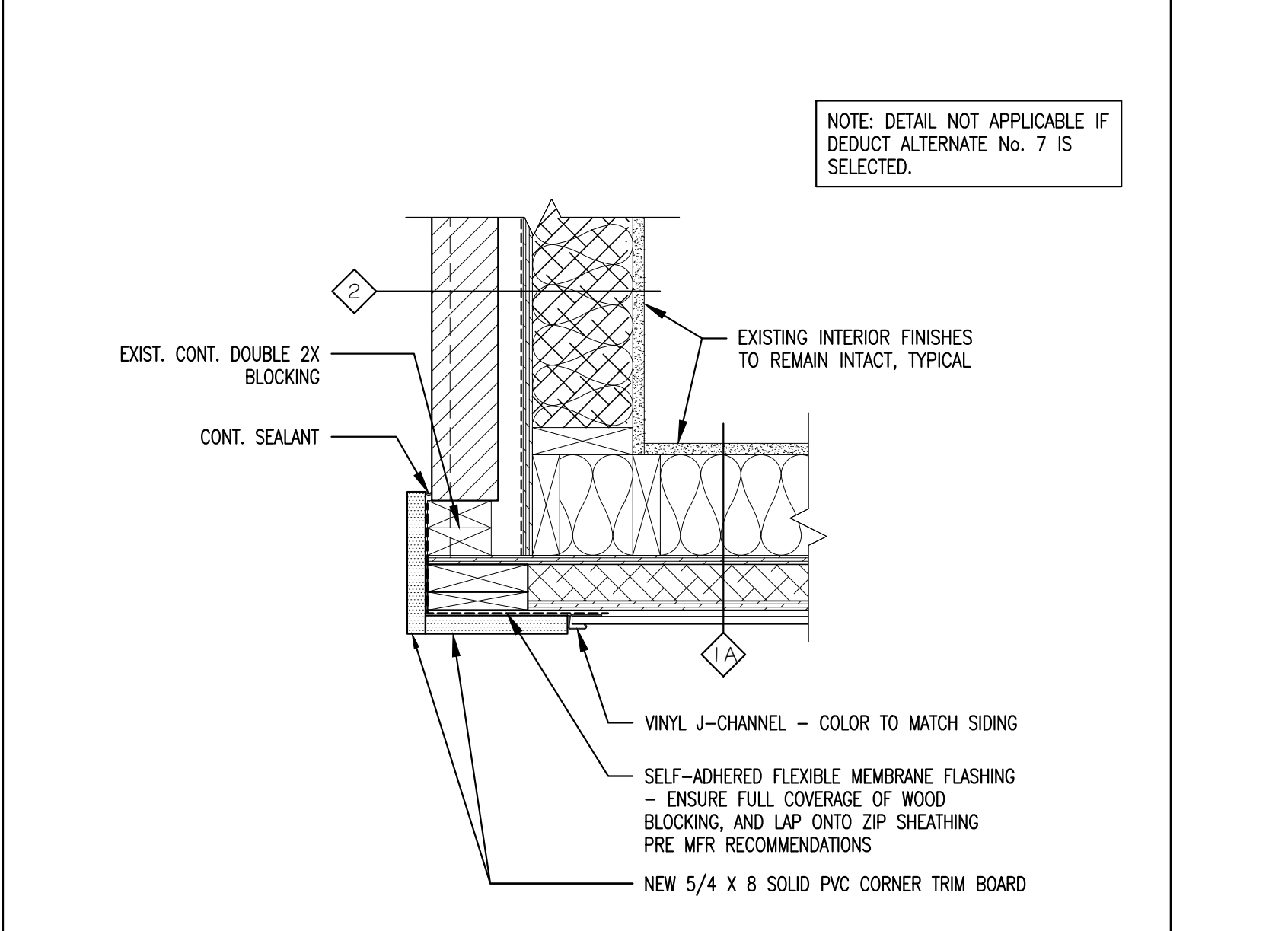
© 2017 CWS Architects, Inc. All rights reserved. No part of this drawing may be reproduced without the written consent of CWS Architects, Inc.



E2 TRANSITION DET'L FROM WALL TYPE 1A TO 1B
REFERENCED FROM: ELEVATIONS, WALL SECTIONS SCALE: 1 1/2" = 1'-0"

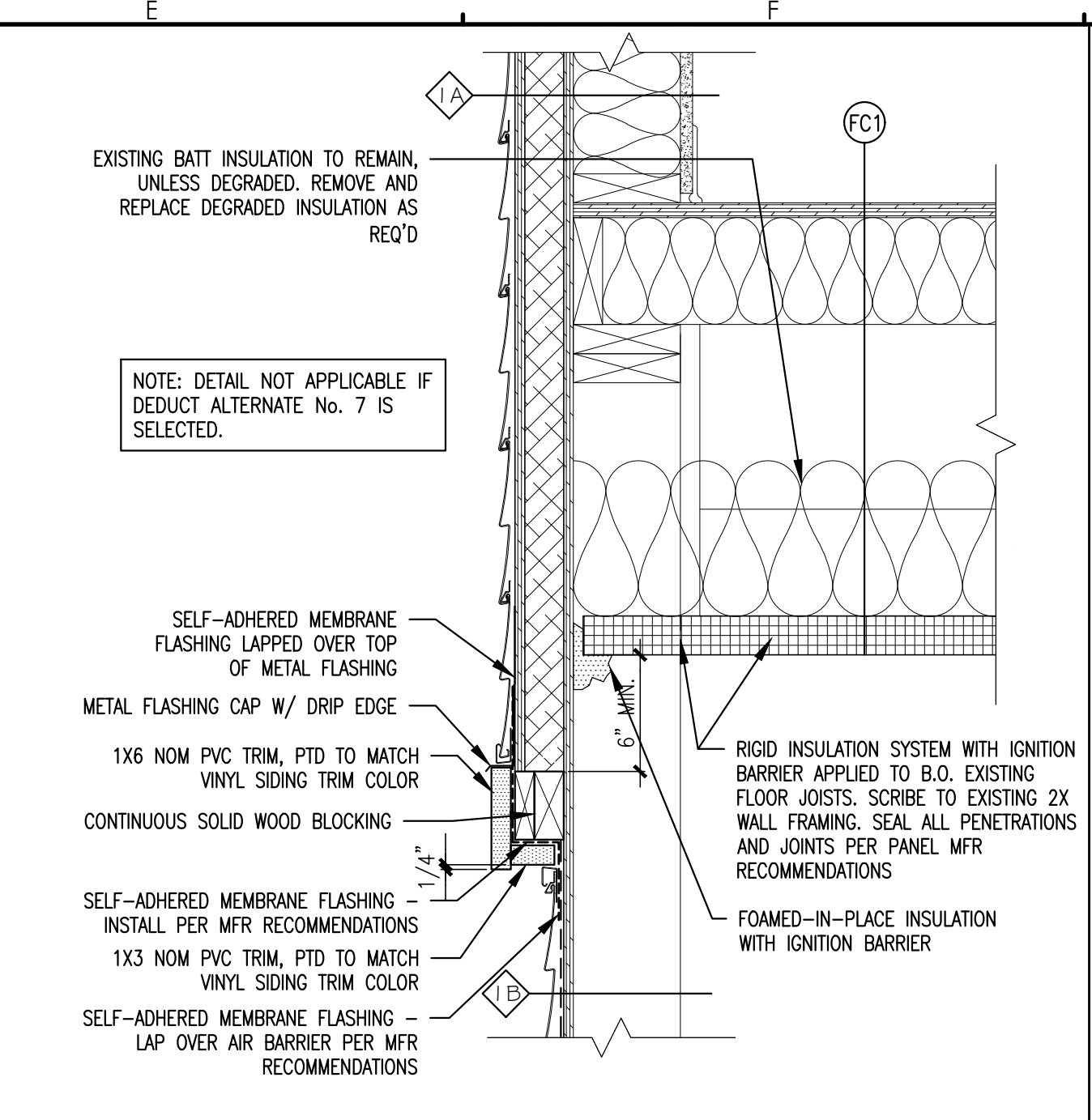


E4 EXTERIOR SIDING INSIDE CORNER DETAIL
REFERENCED FROM: ELEVATIONS SCALE: 1 1/2" = 1'-0"

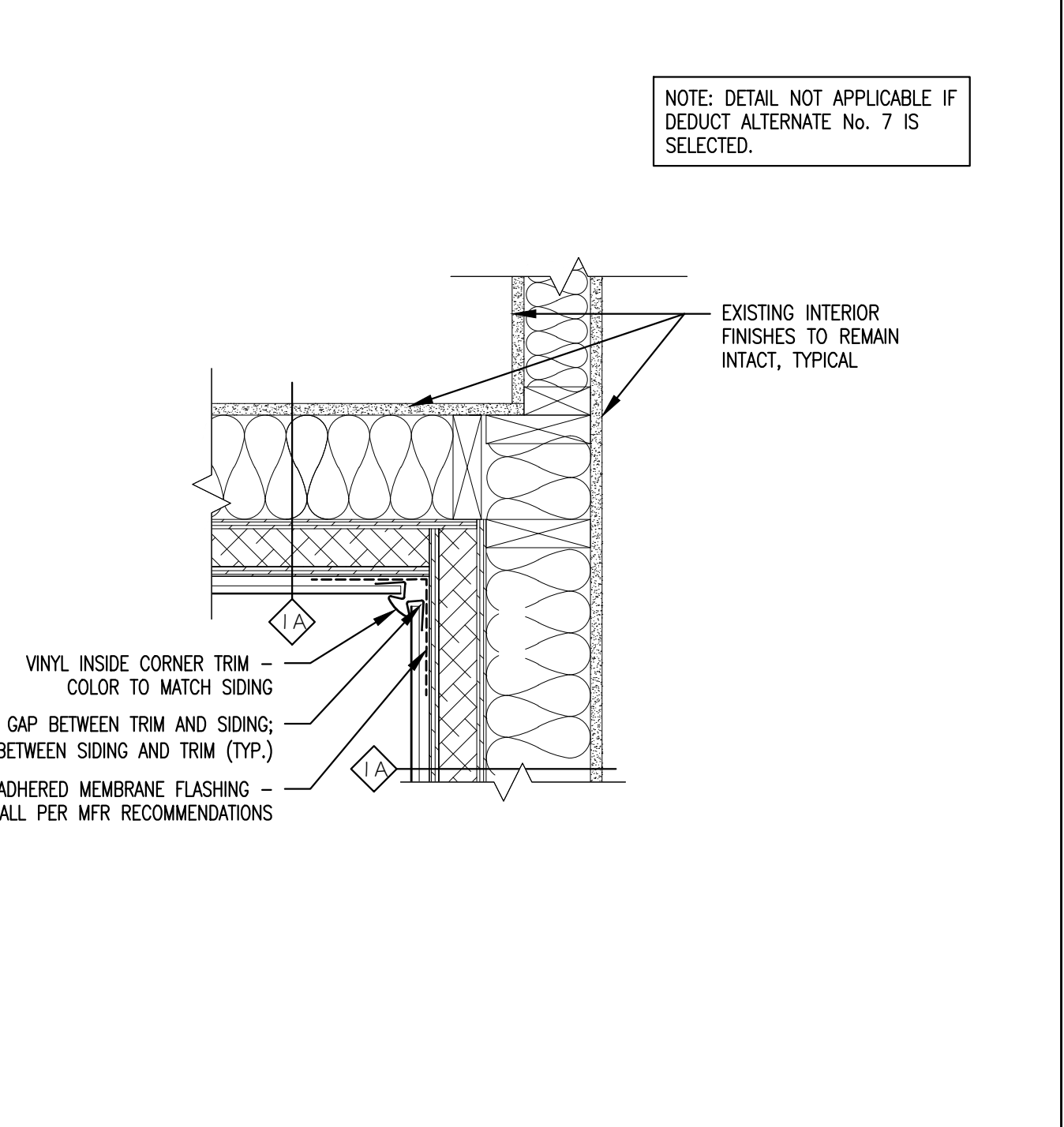


C5 EXTERIOR SIDING TO BRICK CORNER DETAIL
REFERENCED FROM: ELEVATIONS SCALE: 1 1/2" = 1'-0"

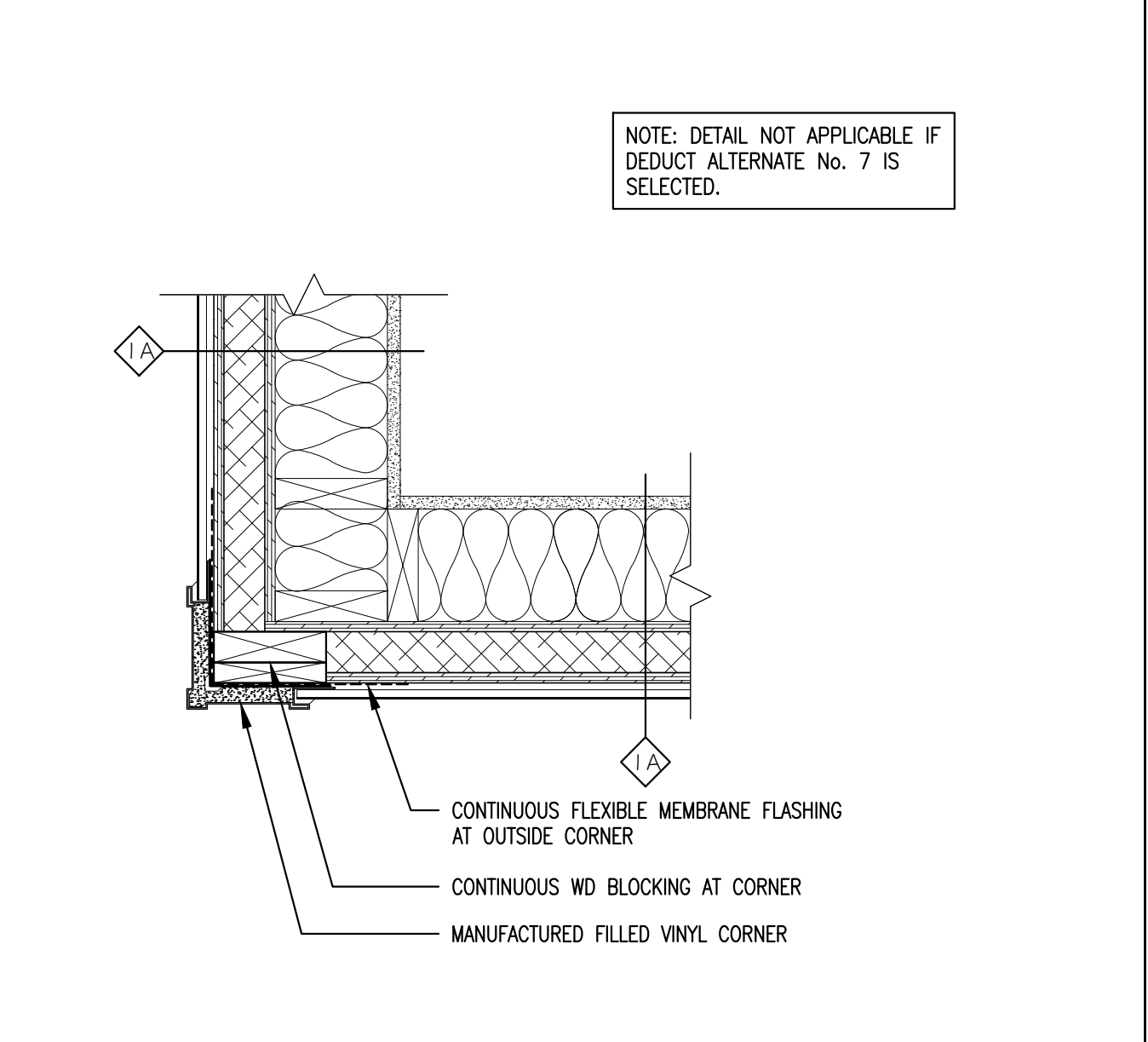
© 2017 CWS Architects, Inc. All rights reserved. No part of this drawing may be reproduced without the written consent of CWS Architects, Inc.



F5 FOUNDATION INSUL. DET'L AT MASONRY WALL
REFERENCED FROM: WALL SECTIONS SCALE: 1 1/2" = 1'-0"

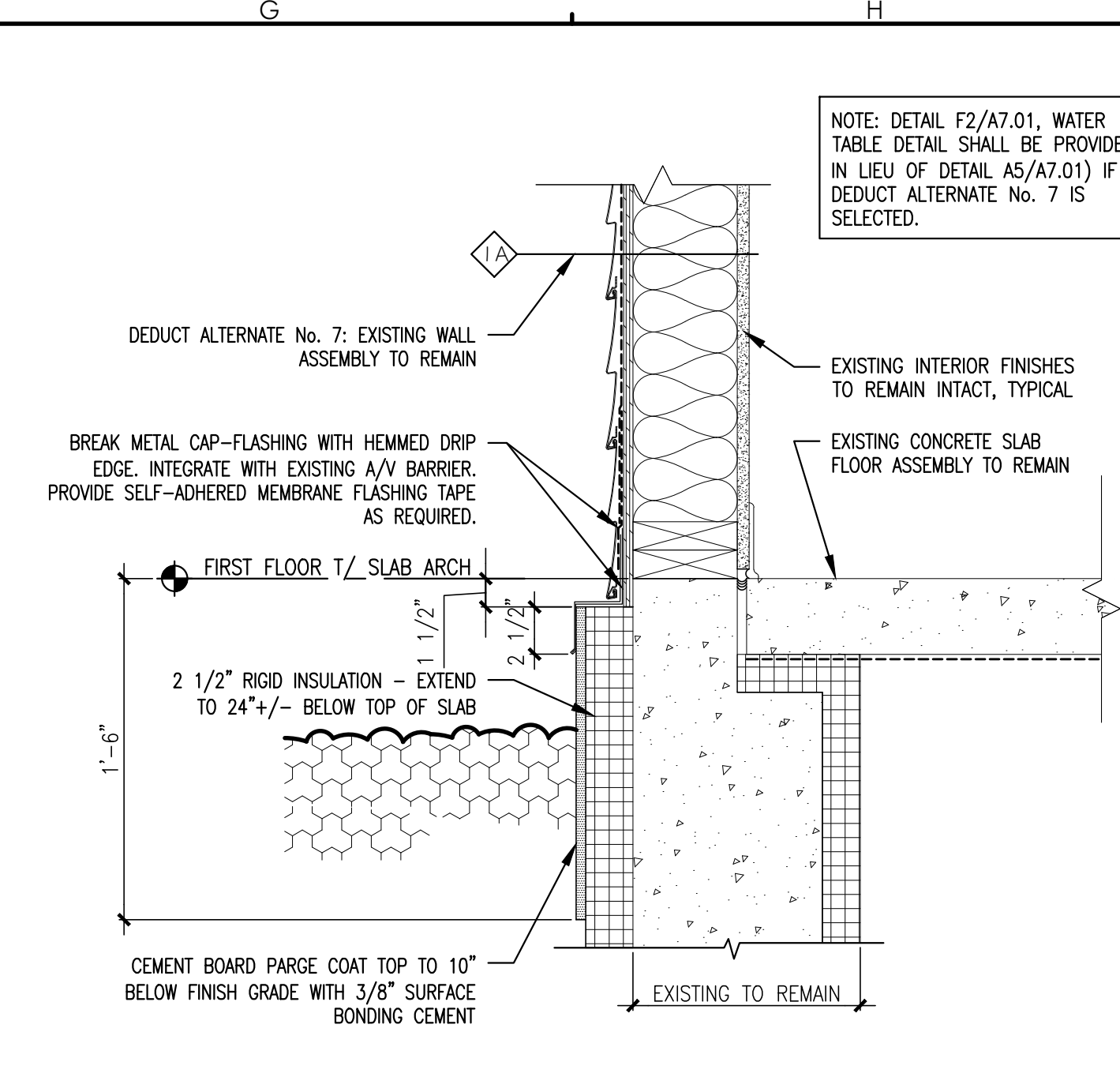


E5 EXTERIOR SIDING OUTSIDE CORNER DETAIL
REFERENCED FROM: ELEVATIONS SCALE: 1 1/2" = 1'-0"

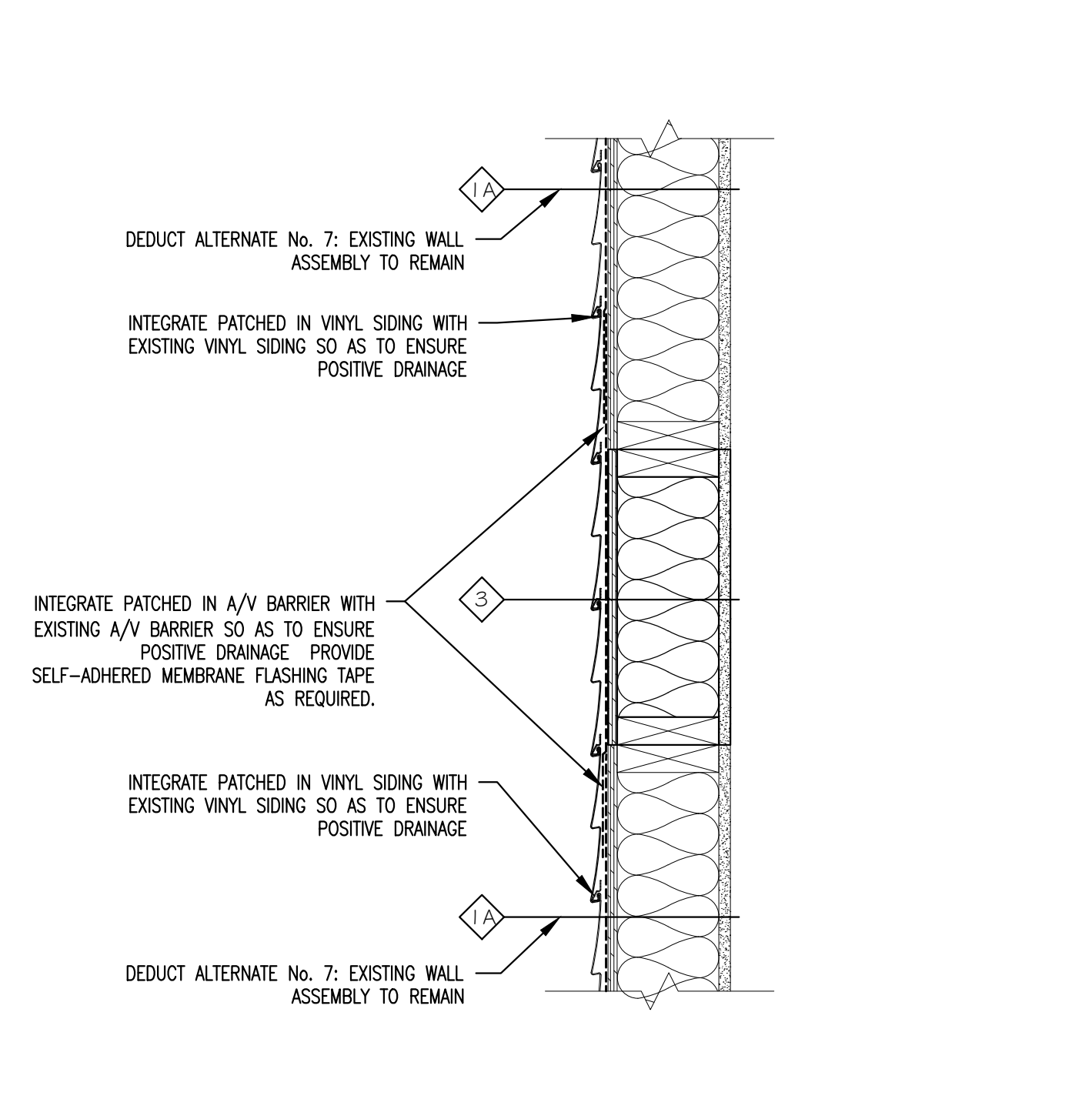


F5 FOUNDATION INSUL. DET'L AT MASONRY WALL
REFERENCED FROM: WALL SECTIONS SCALE: 1 1/2" = 1'-0"

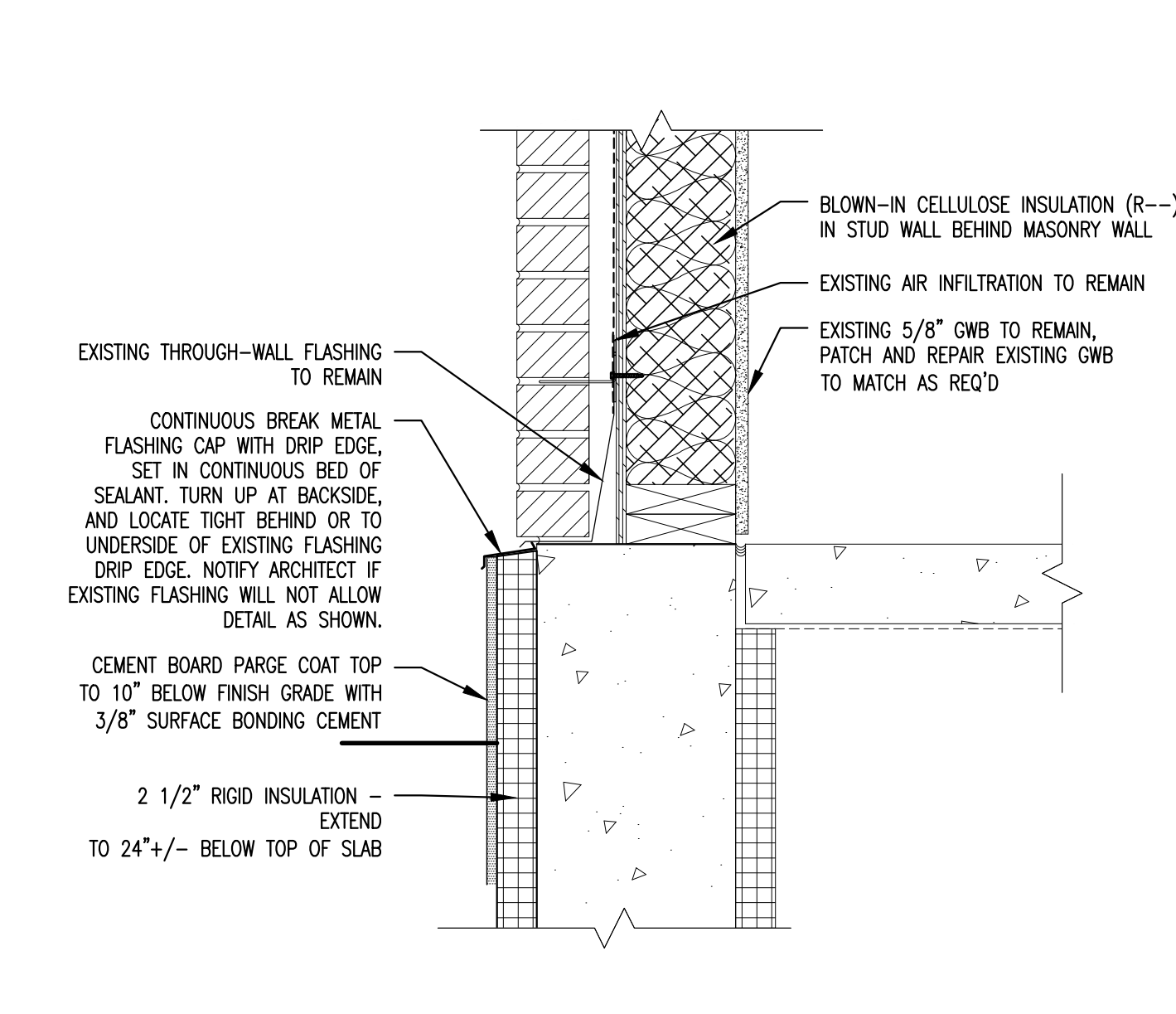
© 2017 CWS Architects, Inc. All rights reserved. No part of this drawing may be reproduced without the written consent of CWS Architects, Inc.



F2 NOT USED
REFERENCED FROM: SCALE:



F4 NOT USED
REFERENCED FROM: SCALE:



F5 FOUNDATION INSUL. DET'L AT MASONRY WALL
REFERENCED FROM: WALL SECTIONS SCALE: 1 1/2" = 1'-0"

© 2017 CWS Architects, Inc. All rights reserved. No part of this drawing may be reproduced without the written consent of CWS Architects, Inc.