

CWS ARCHITECTS
ARCHITECTURE | INTERIOR DESIGN
434 CUMBERLAND AVENUE
PORTLAND, MAINE 04101
T: 207.774.4441
F: 207.774.4016
WWW.CWSARCH.COM

OWNER
NORTHFIELD GREEN
HOUSING PARTNERS LP.
ONE CITY CENTER, 4TH FLOOR
PORTLAND, MAINE 04101

PROJECT
NORTHFIELD GREEN
147 - 1ST ALLEN AVENUE
PORTLAND, MAINE 04101

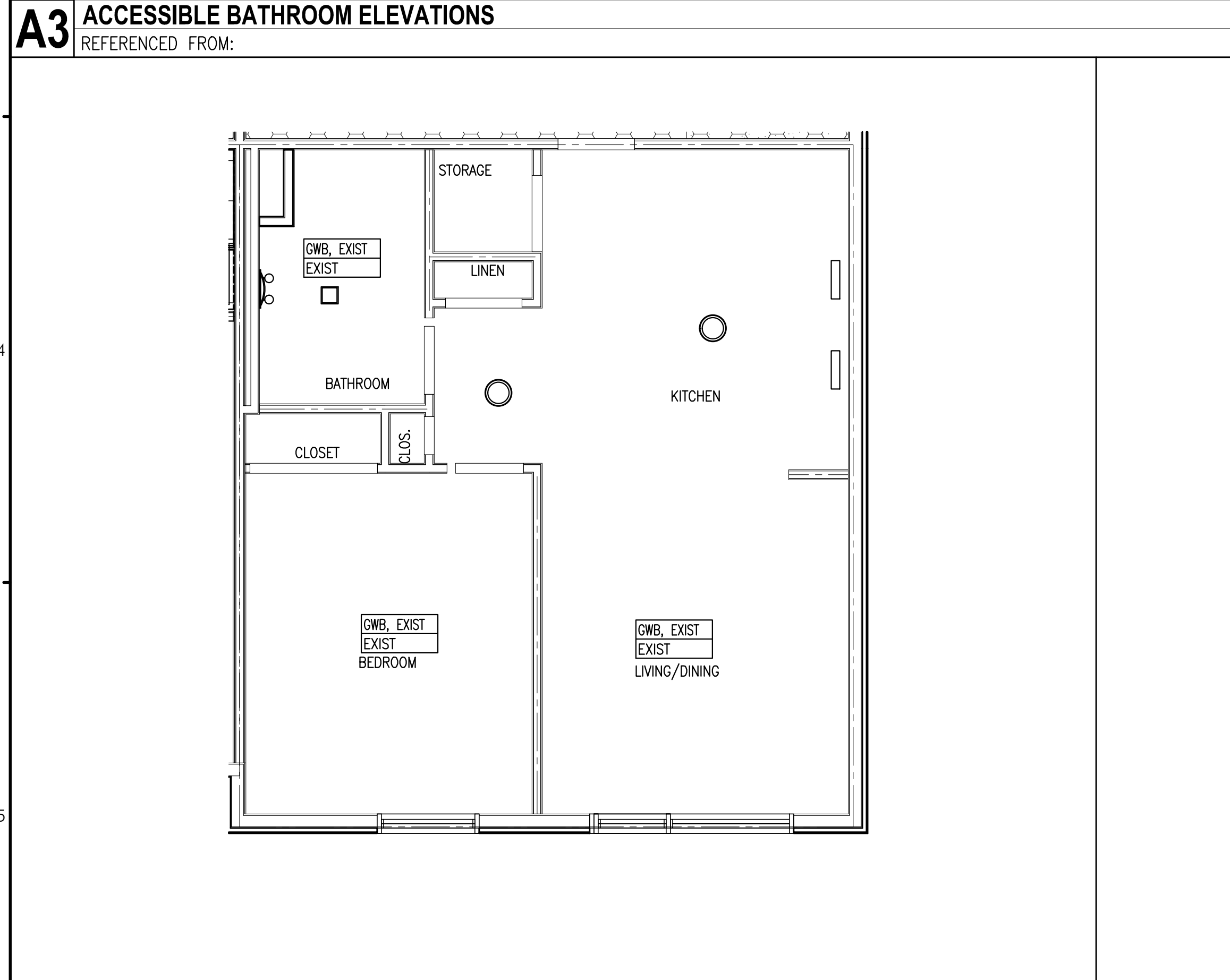
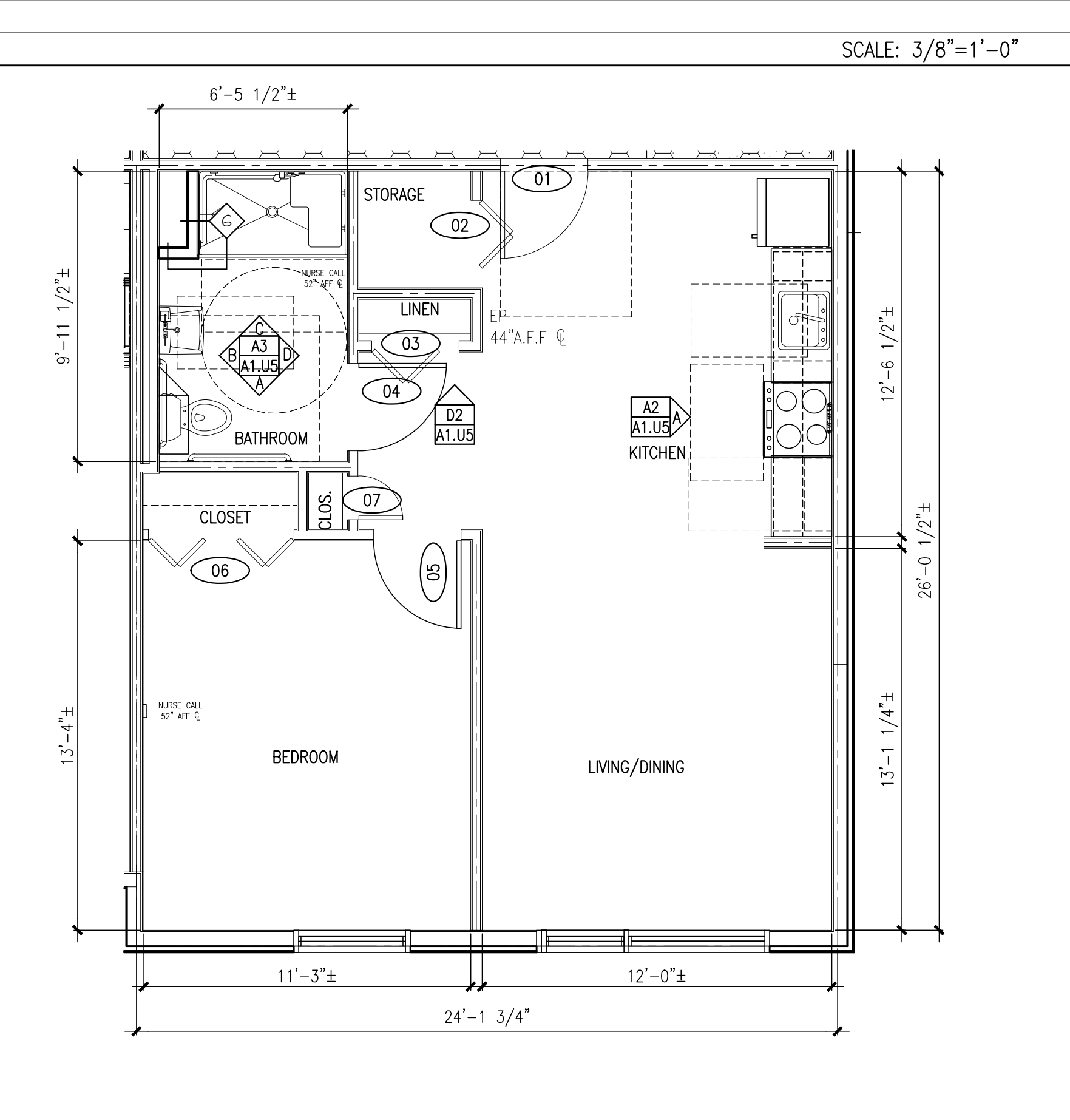
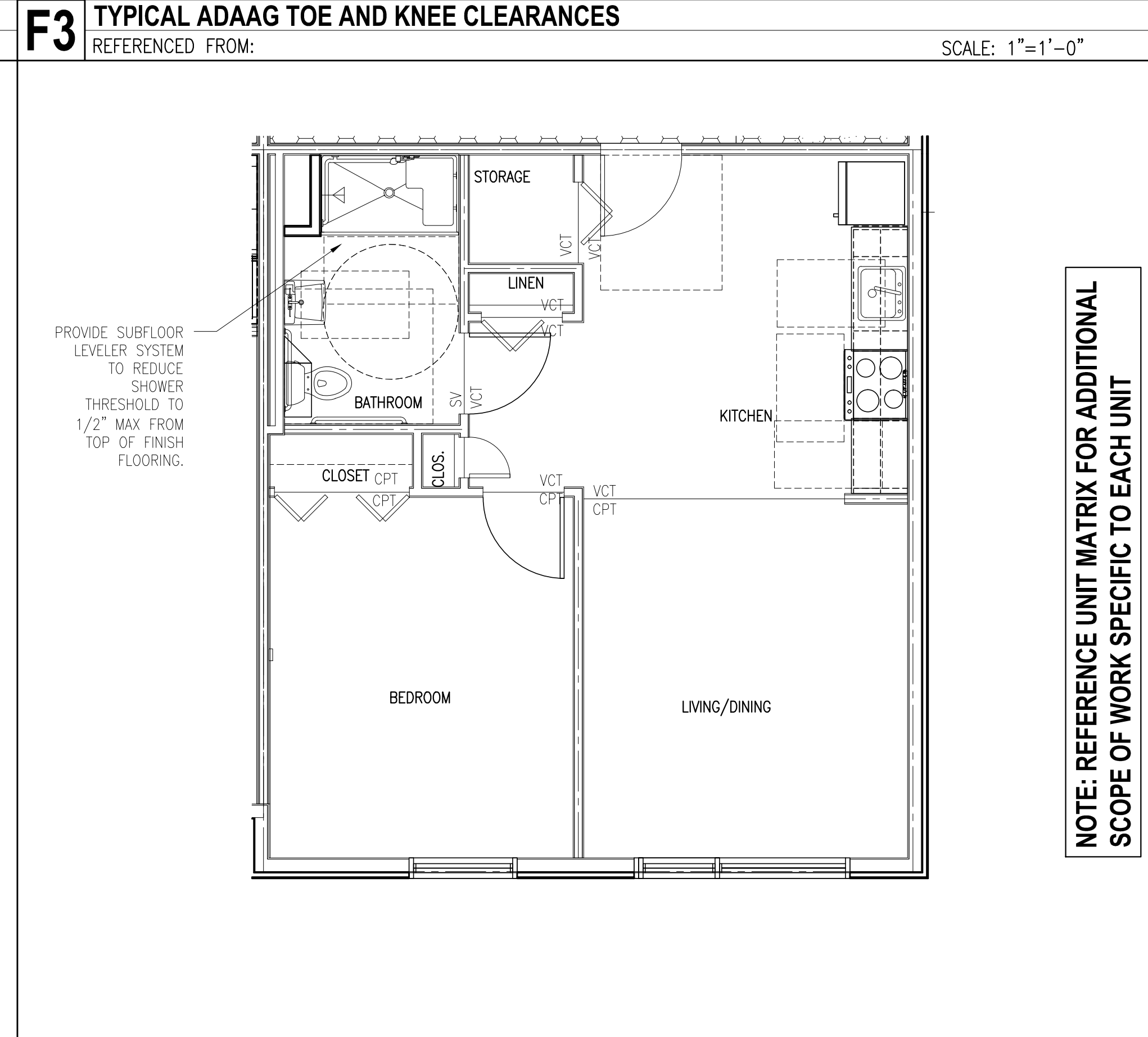
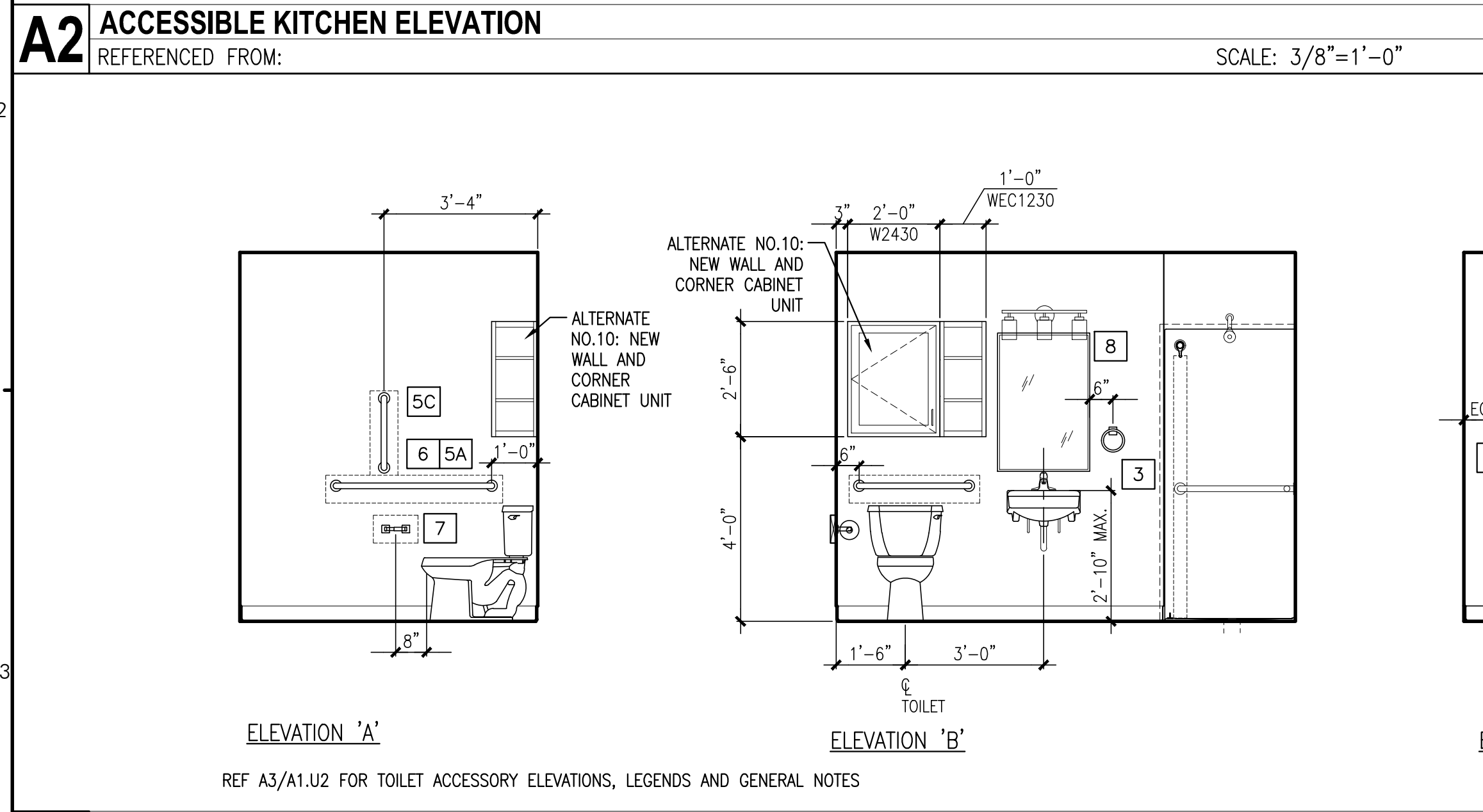
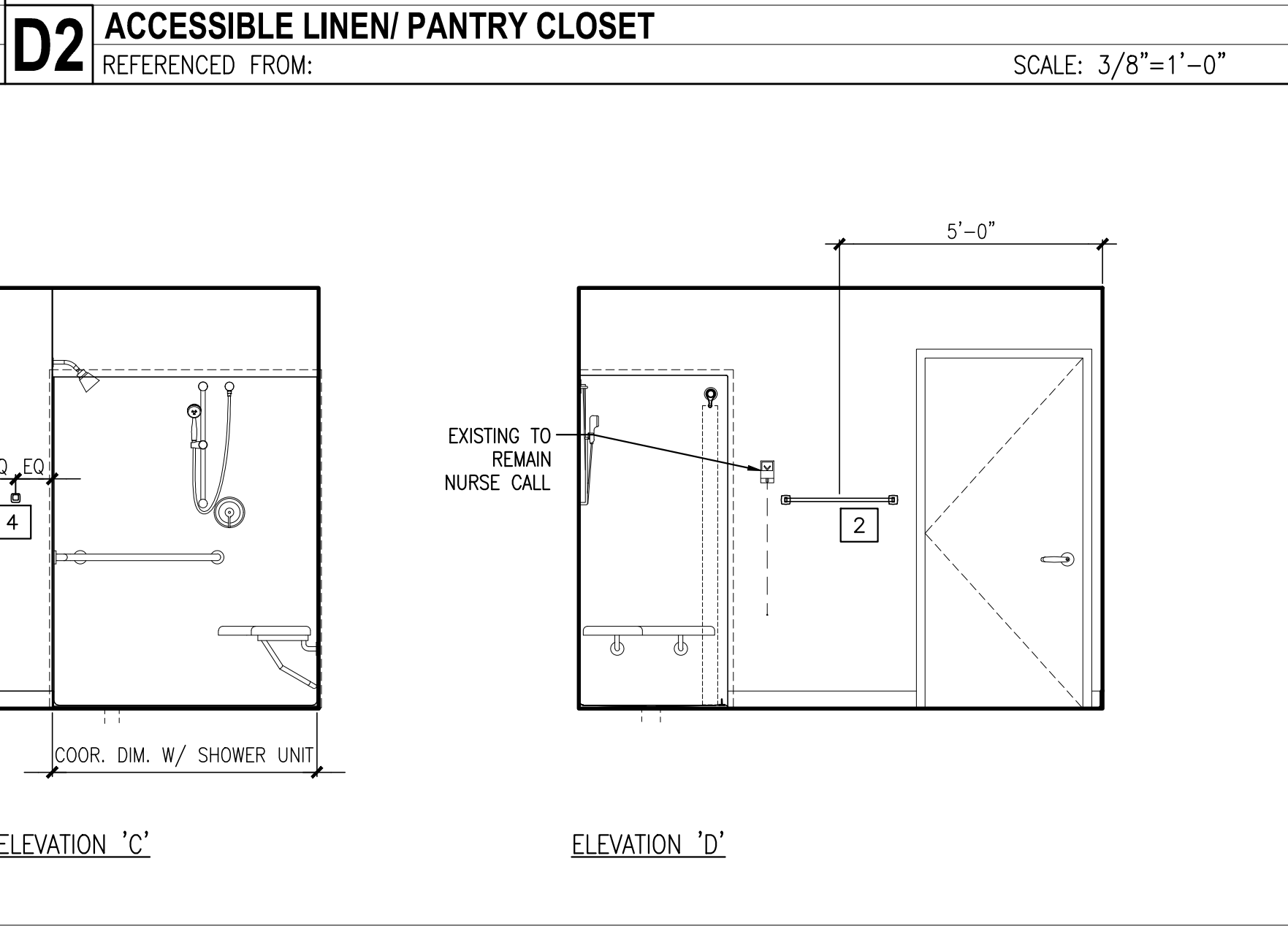
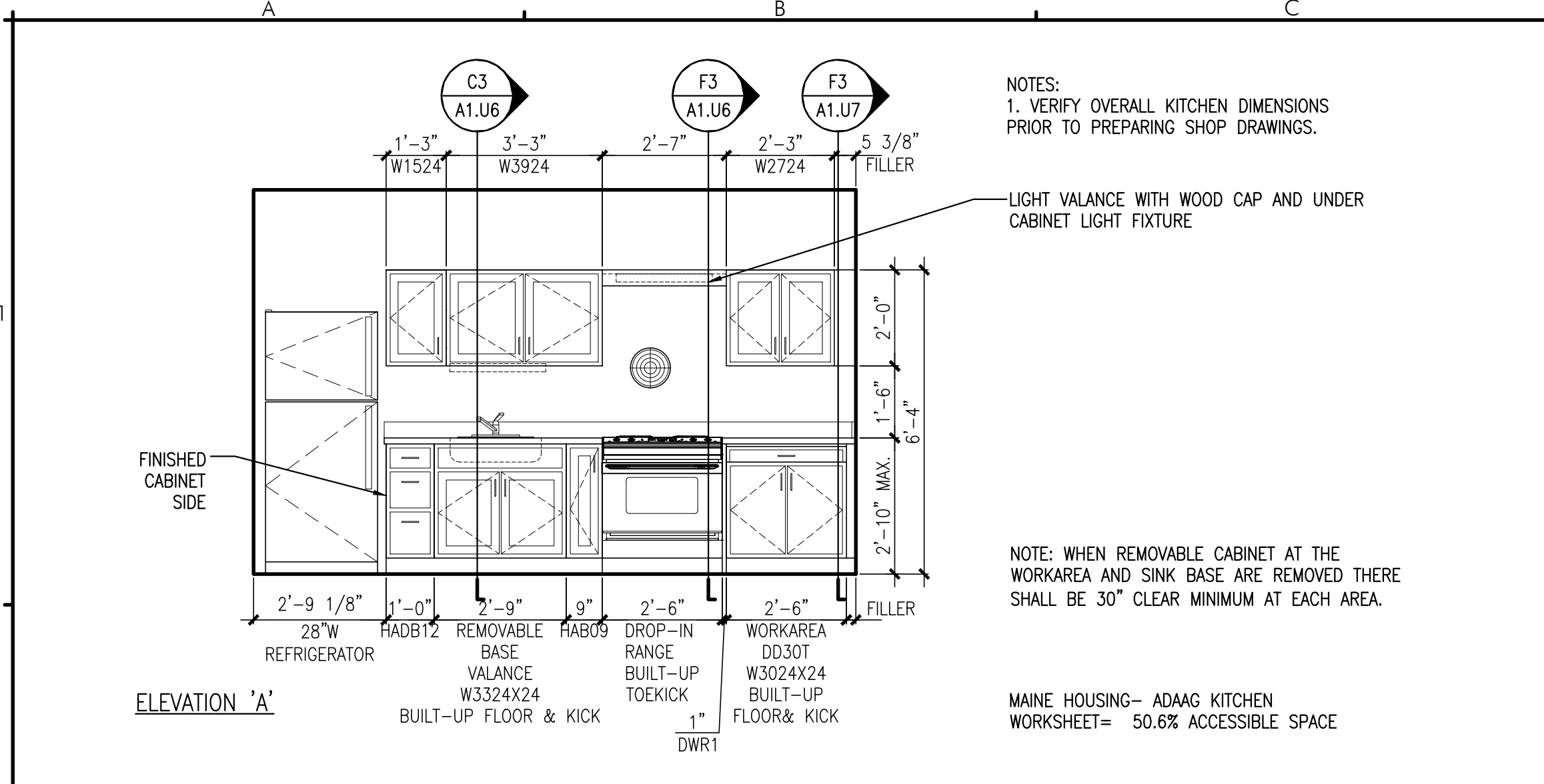
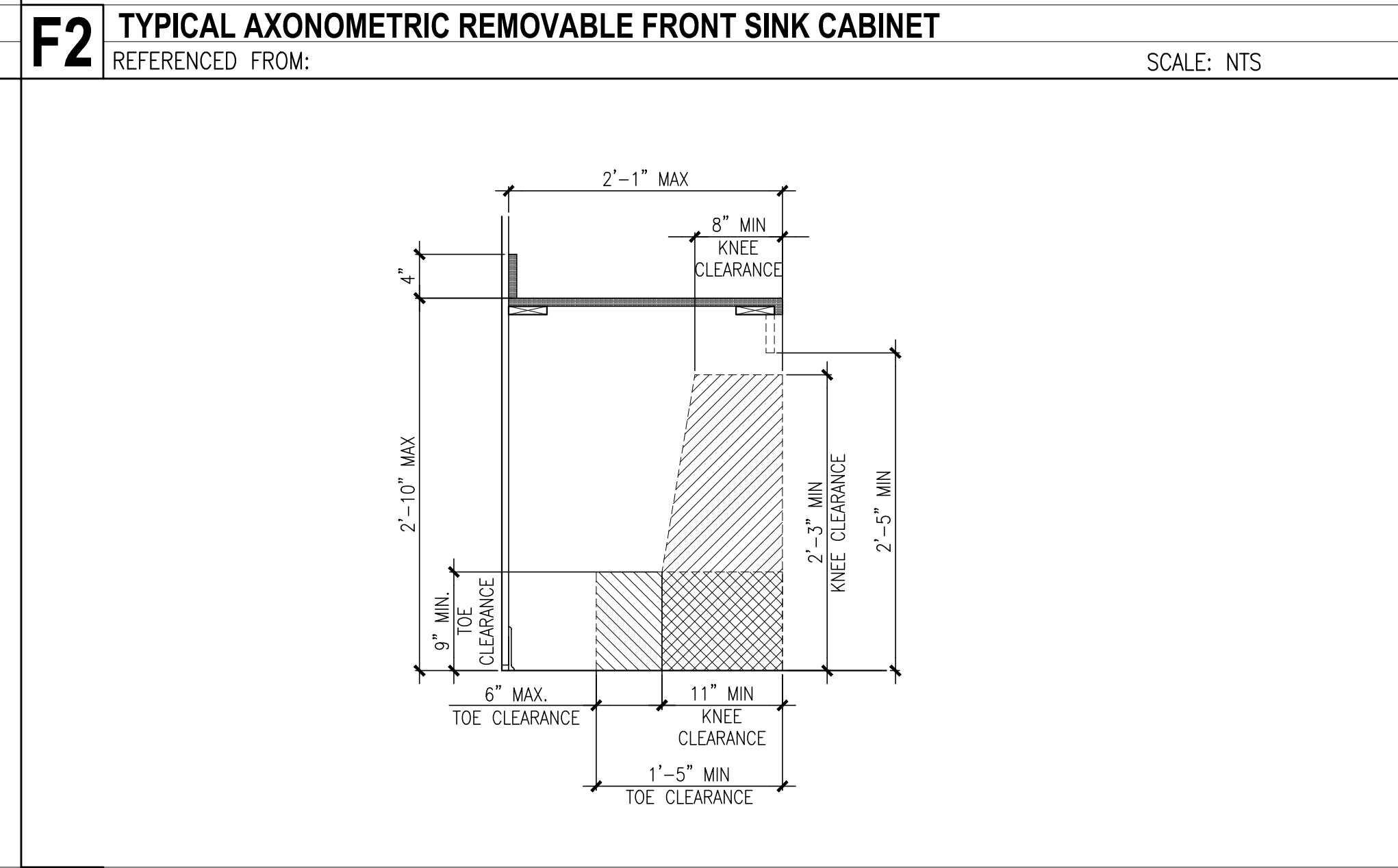
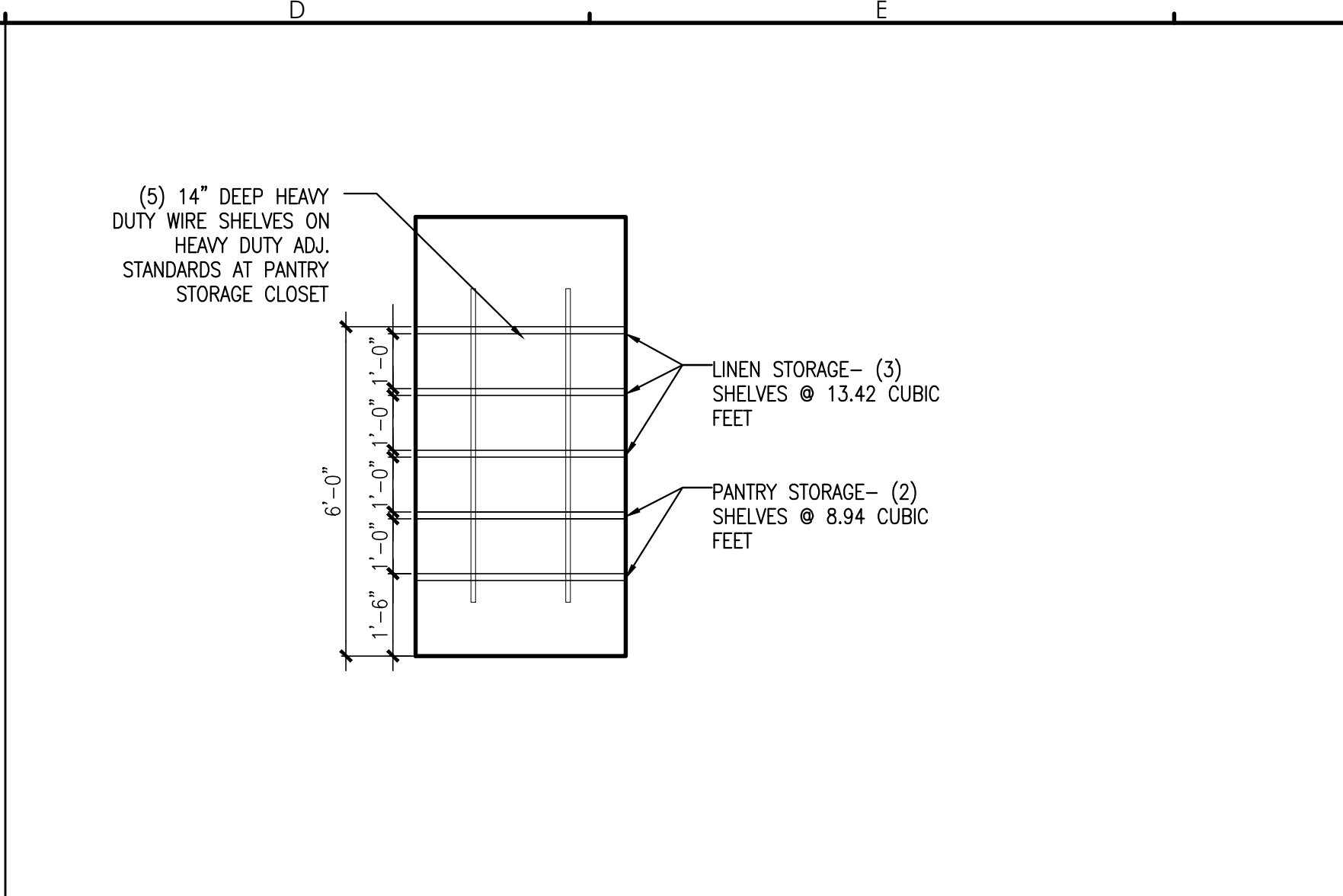
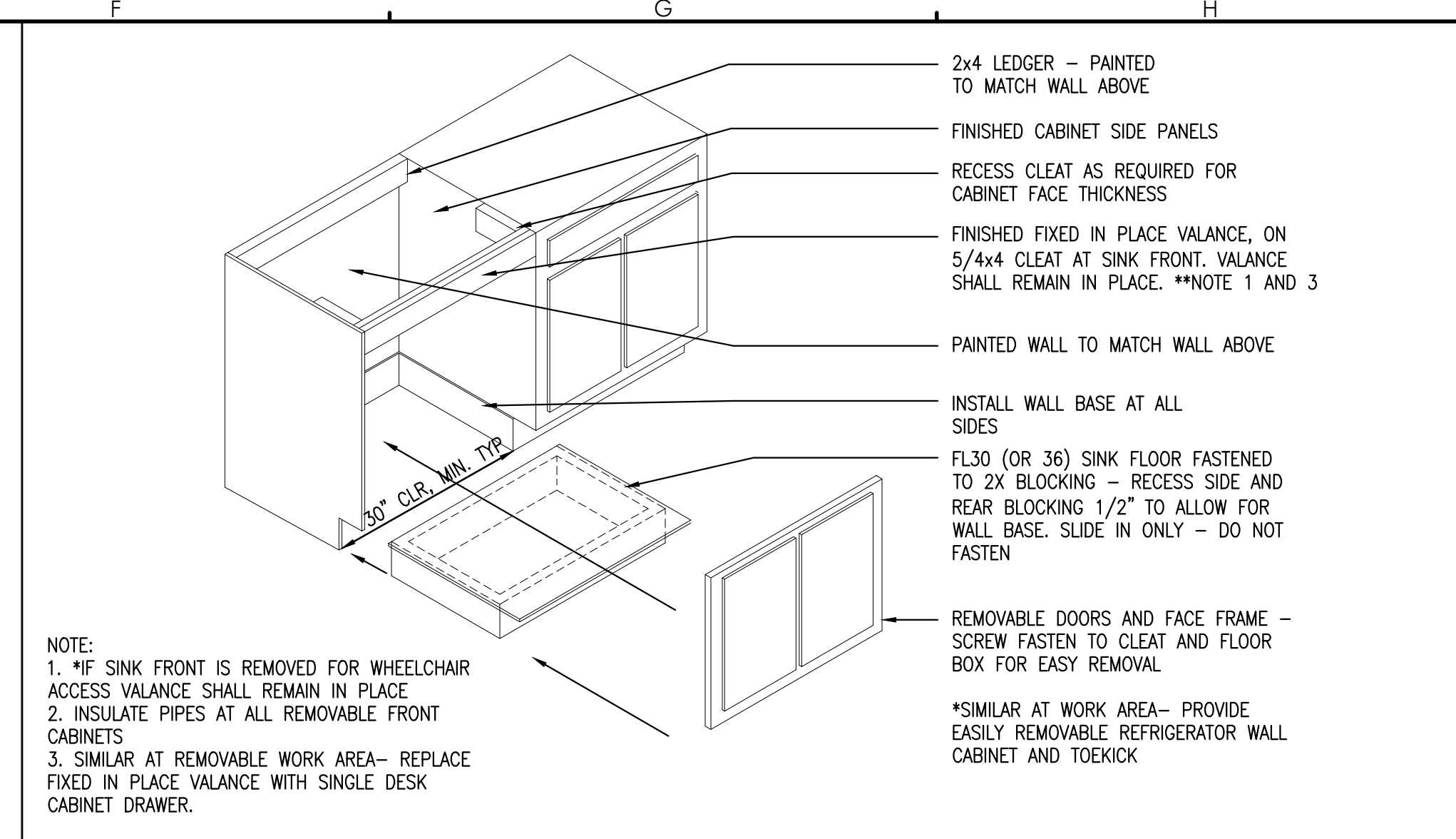
DRAWING
UNIT PLAN -
1 BEDROOM
ACCESSIBLE
CWS PROJECT NUMBER: 16.010

REVISIONS

NO.	DATE	DESCRIPTION

DRAWING NUMBER
A1.U5

SCALE: AS NOTED
DATE: 11/22/2017



A5 UNIT 1BR ACCESSIBLE - REFLECTED CEILING PLAN
REFERENCED FROM: SCALE: 1/4"=1'-0"

C5 UNIT 1BR ACCESSIBLE - DIMENSIONAL PLAN
REFERENCED FROM: SCALE: 1/4"=1'-0"

F5 UNIT 1BR ACCESSIBLE - LAYOUT FLOOR PLAN
UNITS: 11 25 63 65 74 168 169 192 193
ANSI 117.1/ 504 MHRA /ADA MOBILITY FEATURES
SCALE: 1/4"=1'-0"