

DESIGNER

CWS ARCHITECTS
ARCHITECTURE | INTERIOR DESIGN
434 CUMBERLAND AVENUE
PORTLAND, MAINE 04101
T: 207.774.4441
F: 207.774.4016
WWW.CWSARCH.COM

OWNER

NORTHFIELD GREEN
HOUSING PARTNERS LP.
ONE CITY CENTER, 4TH FLOOR
PORTLAND, MAINE 04101

PROJECT

NORTHFIELD GREEN

DRAWING

UNIT PLAN -
2 BEDROOM

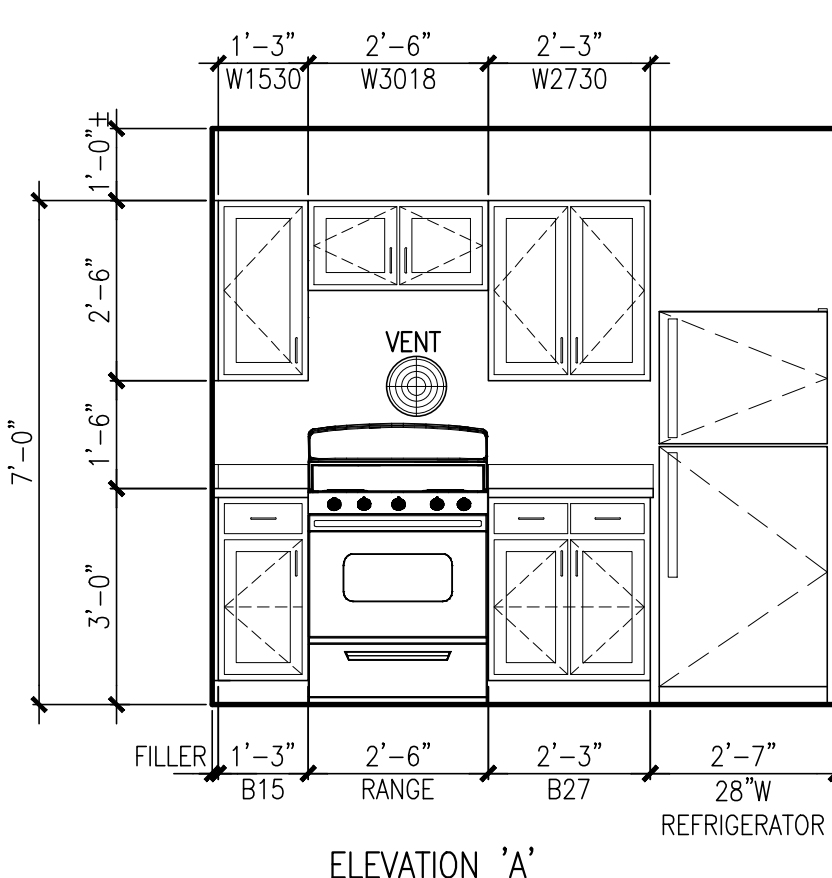
REVISIONS

DRAWING NUMBER

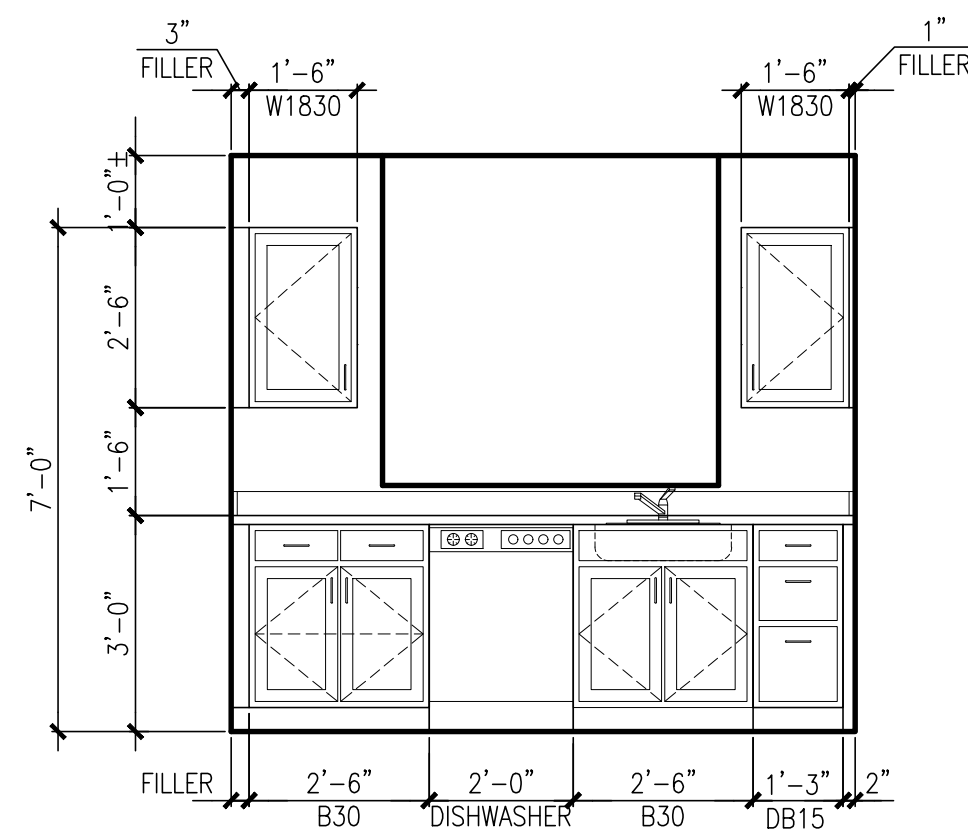
A1.U4

SCALE: AS NOTED
DATE: 11/22/2017

ISSUED NOVEMBER 22, 2017



ELEVATION 'A'



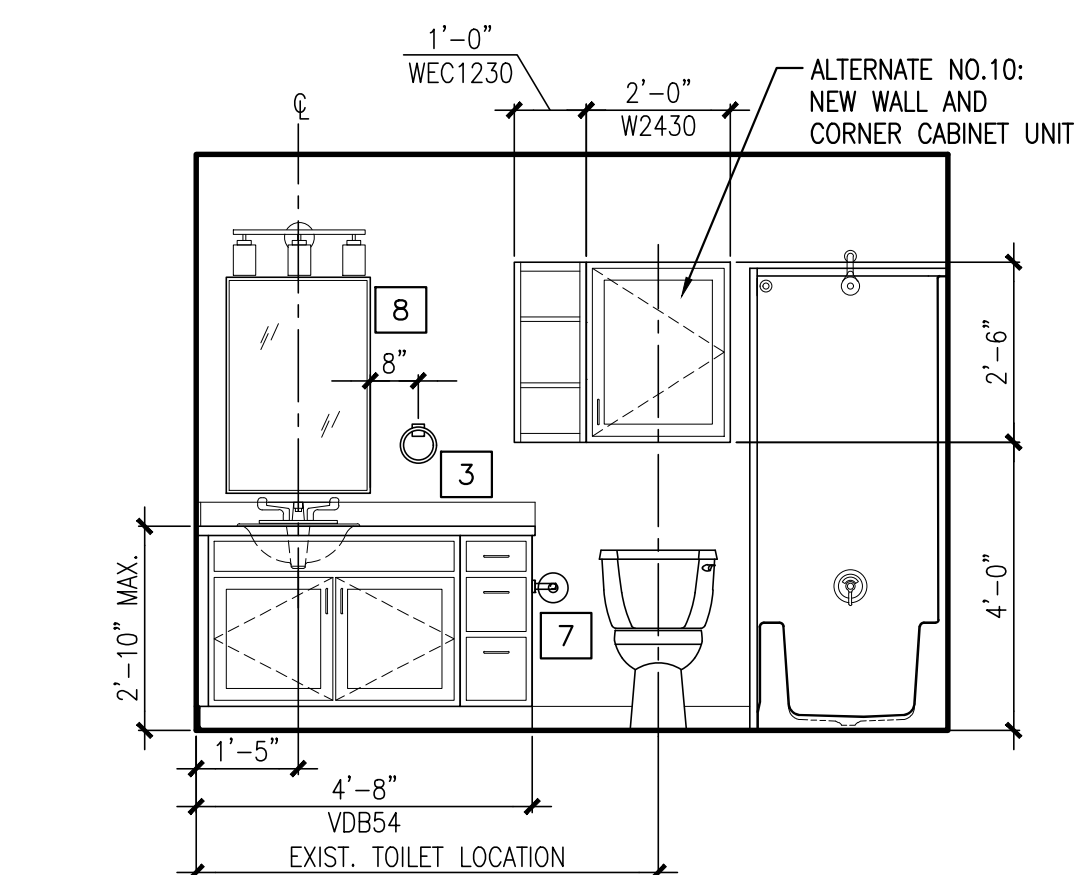
ELEVATION 'B'

NOTES:
1. VERIFY OVERALL KITCHEN DIMENSIONS PRIOR TO PREPARING SHOP DRAWINGS.

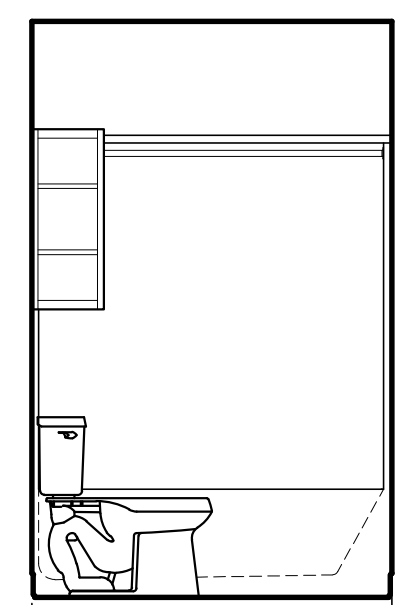
A2 UNIT 2BR KITCHEN ELEVATIONS

REFERENCED FROM:

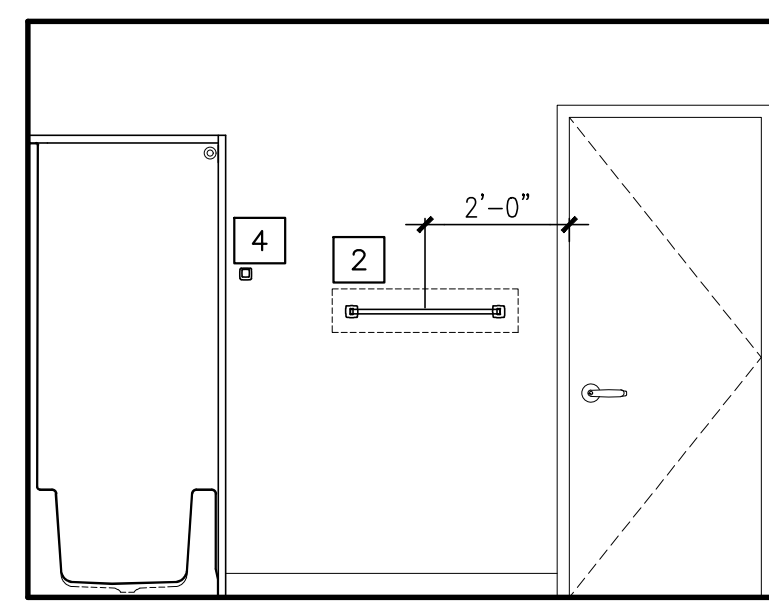
SCALE: 3/8"=1'-0"



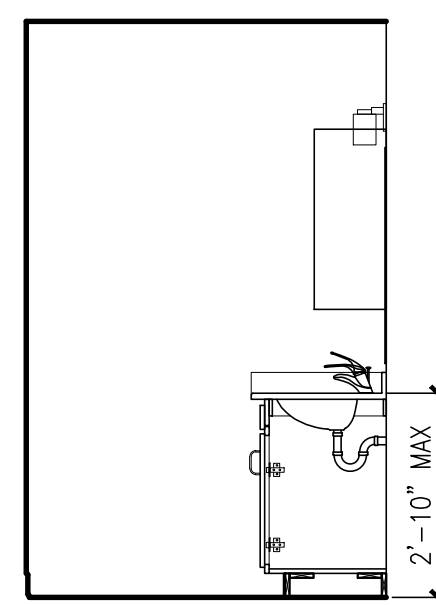
ELEVATION 'A'



ELEVATION 'B'



ELEVATION 'C'



ELEVATION 'D'

REF A3/A1.U2 FOR TOILET ACCESSORY ELEVATIONS, LEGENDS AND GENERAL NOTES

A3 UNIT 2BR BATHROOM ELEVATIONS

REFERENCED FROM:

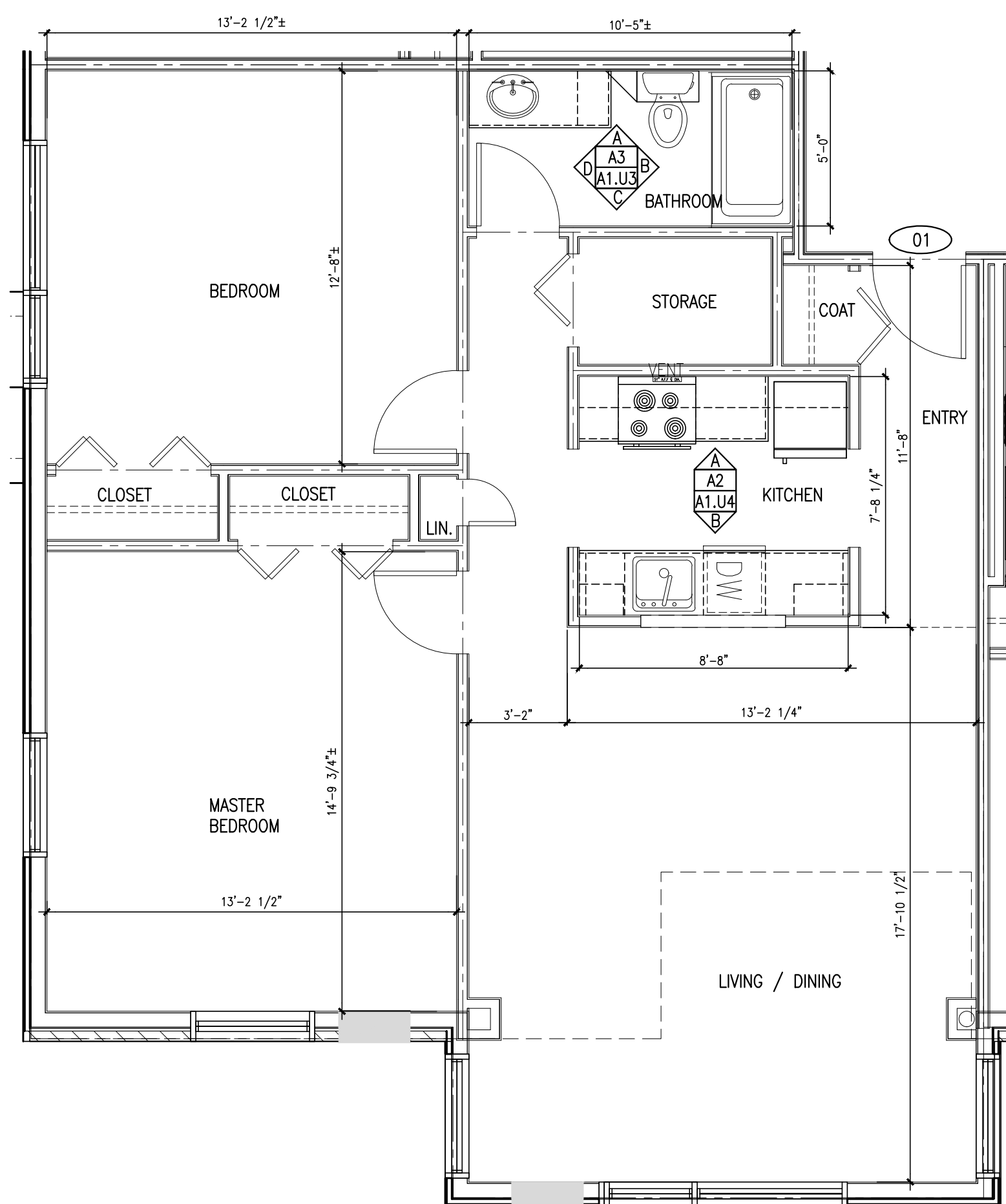
SCALE: 3/8"=1'-0"



A5 UNIT 2BR - REFLECTED CEILING PLAN

REFERENCED FROM:

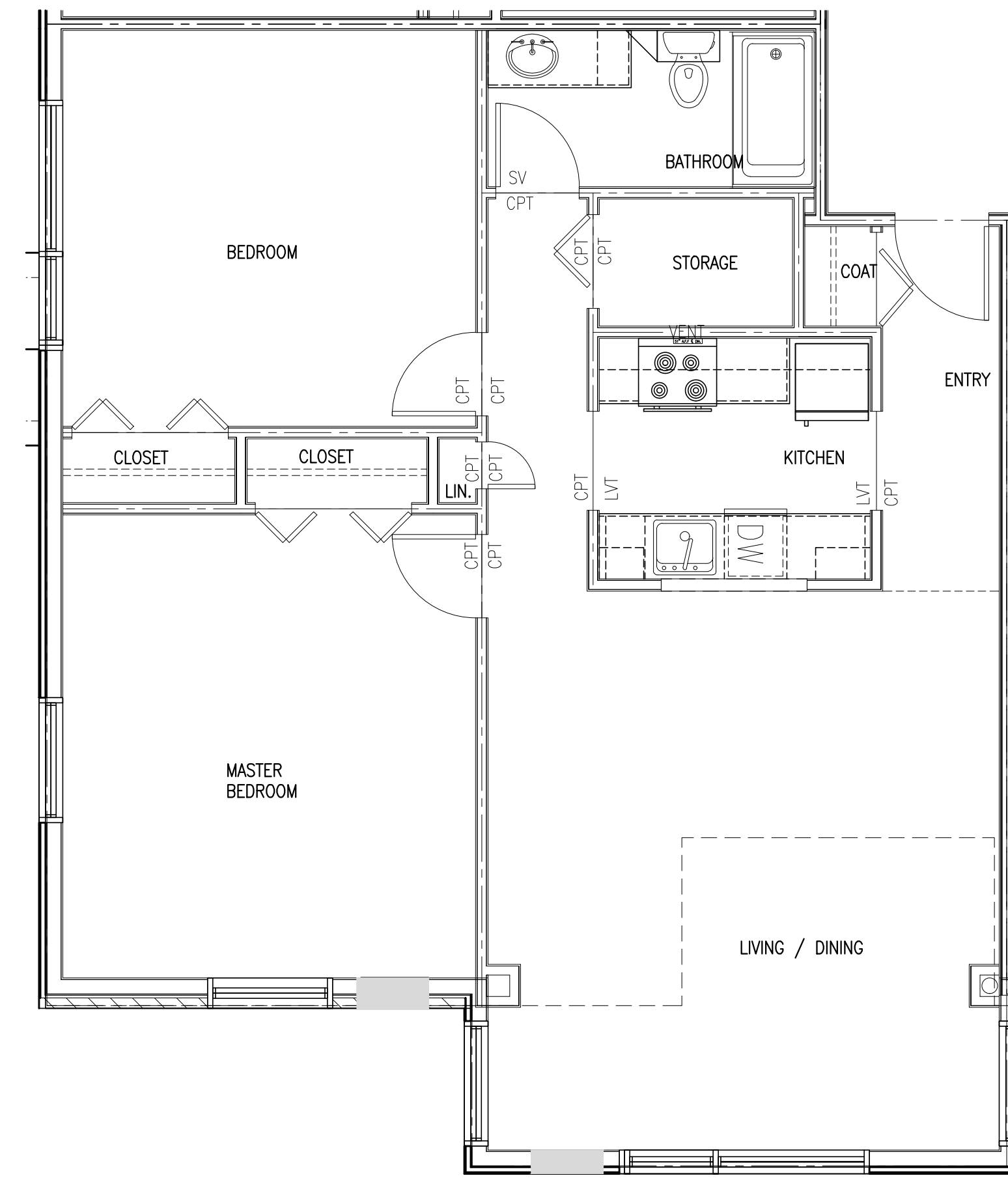
SCALE: 1/4"=1'-0"



C5 UNIT 2BR - DIMENSIONAL PLAN

REFERENCED FROM:

SCALE: 1/4"=1'-0"



F5 UNIT 2BR - LAYOUT FLOOR PLAN

UNIT: 42

UNIT 2 BED
SCALE: 1/4"=1'-0"

NOTE: REFERENCE UNIT MATRIX FOR ADDITIONAL SCOPE OF WORK SPECIFIC TO EACH UNIT